



US00D897813S

(12) **United States Design Patent**
Parks

(10) **Patent No.:** **US D897,813 S**

(45) **Date of Patent:** **** Oct. 6, 2020**

(54) **MULTI-TOOL WITH DRUM KEY**

(71) Applicant: **GrooveTech Tools, Inc.**, Sonora, CA (US)

(72) Inventor: **Dan Parks**, Sonora, CA (US)

(73) Assignee: **GrooveTech Tools, Inc.**, Sonora, CA (US)

(**) Term: **15 Years**

(21) Appl. No.: **29/674,607**

(22) Filed: **Dec. 21, 2018**

(51) **LOC (12) Cl.** **08-05**

(52) **U.S. Cl.**
USPC **D8/105**

(58) **Field of Classification Search**
USPC D8/105, 81, 88, 89, 14, 16-19, 21, 27,
D8/51, 98, 99, 104, 45, 48
CPC . B25G 1/10; B25B 13/04; B66F 15/00; B66F
17/00

See application file for complete search history.

(56) **References Cited**

U.S. PATENT DOCUMENTS

D427,875 S *	7/2000	Chiu	D8/105
D437,541 S *	2/2001	Hermansen	D8/105
RE37,210 E *	6/2001	Chuang	B25B 13/56 157/1.3
D455,630 S *	4/2002	Chiu	D8/105
D468,987 S *	1/2003	Dreyfus	D8/105
D470,738 S *	2/2003	Kao	D8/105
6,564,678 B1 *	5/2003	Wang	B25B 13/56 7/118
6,751,819 B2 *	6/2004	Chuang	B25B 13/56 157/1.3
6,880,435 B2 *	4/2005	Hawkins	B25B 13/56 7/138
D515,391 S *	2/2006	Hawkins	D8/105

(Continued)

Primary Examiner — Janice Hallmark

(74) Attorney, Agent, or Firm — Ice Miller LLP

(57) **CLAIM**

The ornamental design for a multi-tool with drum key, as shown and described.

DESCRIPTION

This application incorporates by reference in its entirety the design patent application filed on even date with the title Folding Tool With Drum Key, U.S. Application Ser. No. 29/674,613.

FIG. 1 is a top perspective view of the multi-tool in an expanded configuration;

FIG. 2 is a first side elevation view of the multi-tool in an expanded configuration;

FIG. 3 is a top perspective view of the multi-tool in a retracted configuration;

FIG. 4 is a first side elevation view of the multi-tool in a retracted configuration;

FIG. 5 is a second side elevation view of the multi-tool in a retracted configuration;

FIG. 6 is a bottom perspective view of the multi-tool in an expanded configuration;

FIG. 7 is a second side elevation view of the multi-tool in an expanded configuration;

FIG. 8 is a first end elevation view of the multi-tool in an expanded configuration;

FIG. 9 is a second end elevation view of the multi-tool in an expanded configuration;

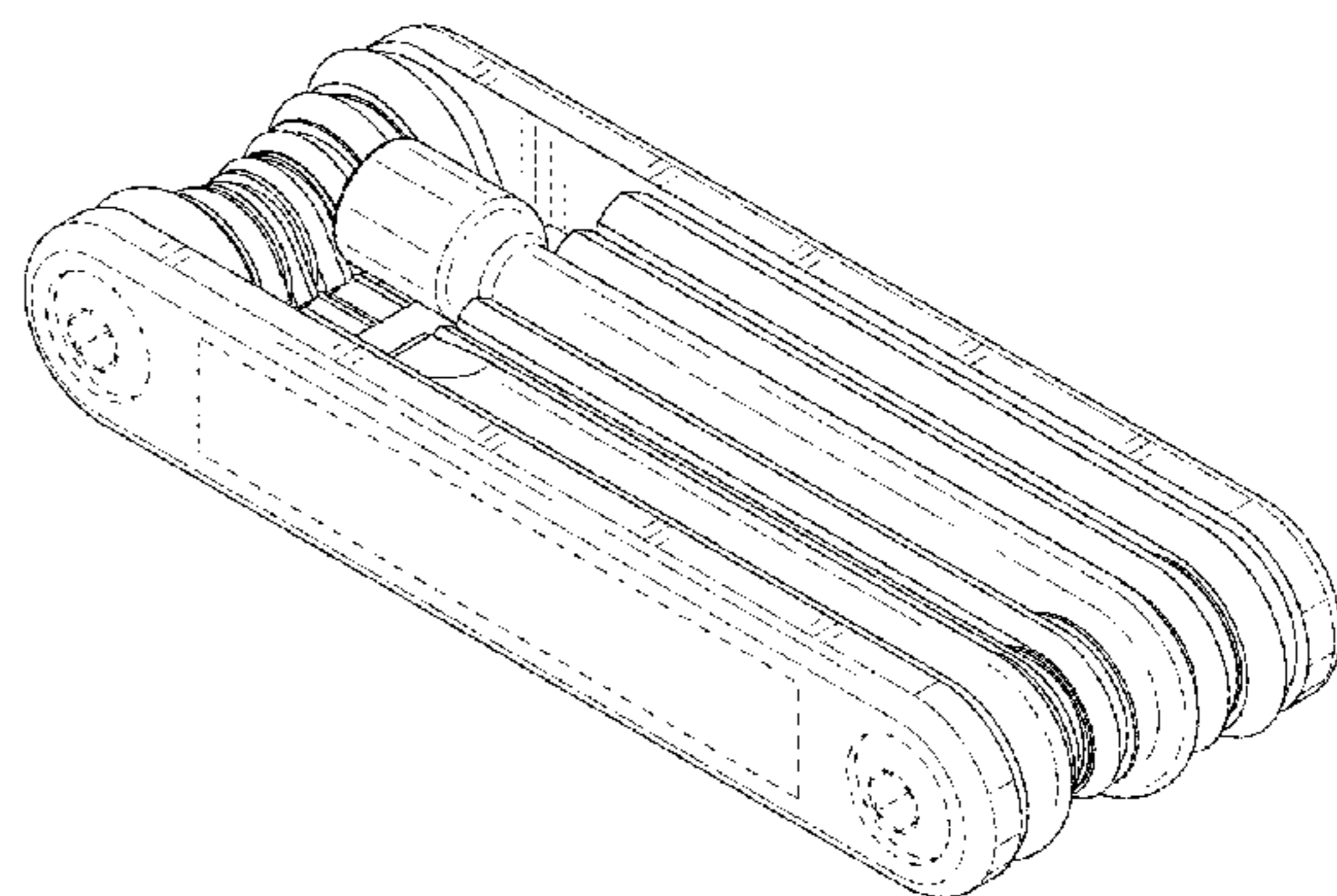
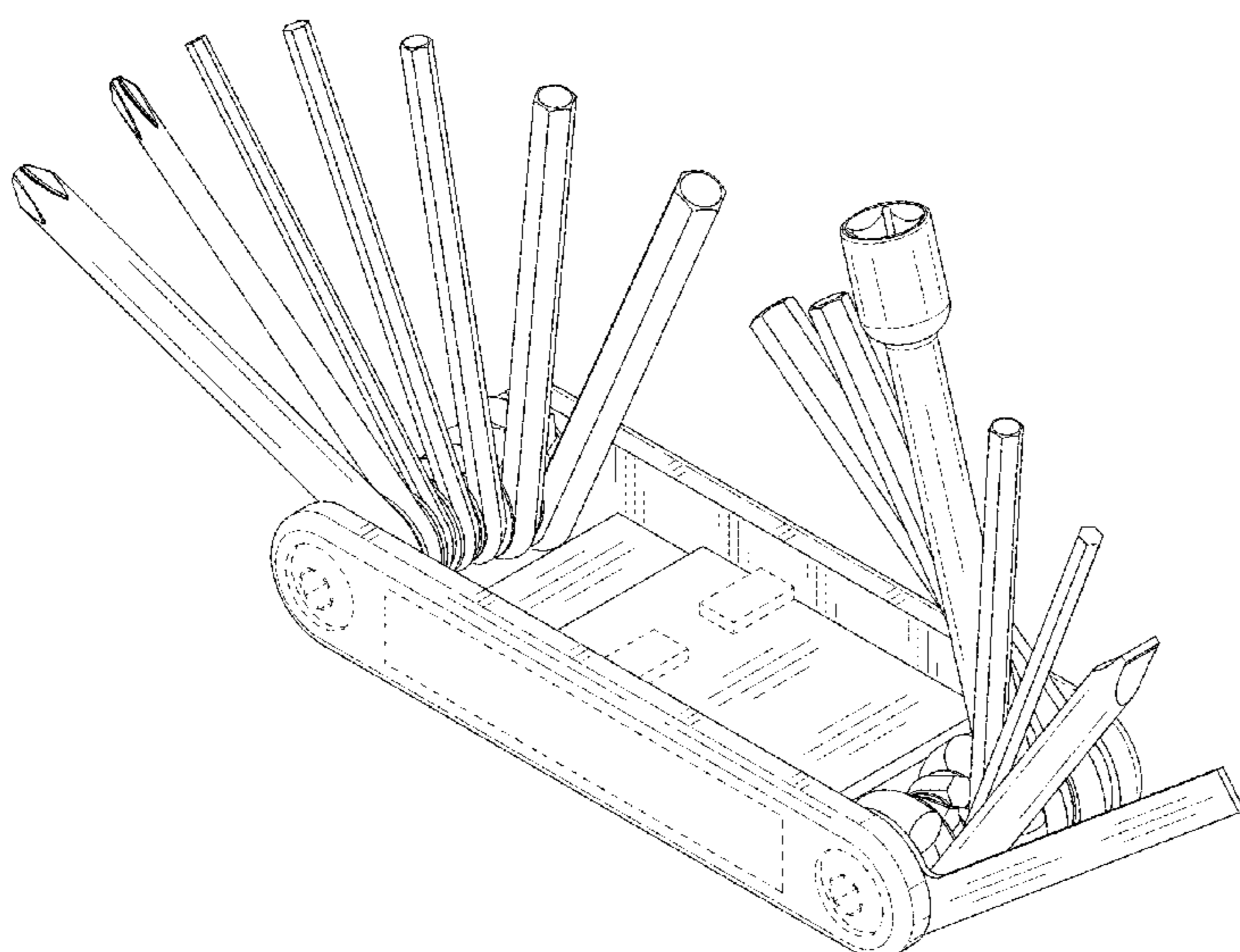
FIG. 10 is a top plan view of the multi-tool in an expanded configuration;

FIG. 11 is a top perspective view of the multi-tool in a retracted configuration; and,

FIG. 12 is a bottom perspective view of the multi-tool in a retracted configuration.

All of the broken lines illustrate portions of the multi-tool that form no part of the claimed design.

1 Claim, 11 Drawing Sheets



(56)

References Cited

U.S. PATENT DOCUMENTS

7,140,280 B2 * 11/2006 Hawkins B25B 13/56
81/440
D542,111 S * 5/2007 Te D8/105
D544,329 S * 6/2007 Tansbo D8/105
D549,542 S * 8/2007 Chiang D8/105
7,281,456 B2 * 10/2007 Chiang B25B 15/008
7/138
7,299,514 B2 * 11/2007 Wu B25B 27/0071
59/11
7,481,137 B1 * 1/2009 Johnson B25B 13/56
30/161
D622,125 S * 8/2010 Robinson D26/38
7,900,540 B1 * 3/2011 Te B25F 1/04
7/128
RE44,675 E * 12/2013 Hawkins B25G 1/085
7/138

9,227,315 B2 * 1/2016 Hermansen B25B 15/008
9,457,460 B2 * 10/2016 Hermansen B25F 1/02
D840,208 S * 2/2019 Scott B25F 1/04
D8/107
D865,481 S * 11/2019 Park D8/105
D866,286 S * 11/2019 Parks D8/105
2003/0066396 A1 * 4/2003 Chuang B25B 15/008
81/440
2003/0074738 A1 * 4/2003 Chuang B25B 13/56
7/100
2005/0204721 A1 * 9/2005 Wu B25B 27/0071
59/4
2006/0042428 A1 * 3/2006 Chuang B25B 27/0071
81/440
2011/0289693 A1 * 12/2011 Tsai B25F 1/04
7/118
2014/0182418 A1 * 7/2014 Chen B25B 27/0071
76/117
2019/0152040 A1 * 5/2019 Parks B25F 1/04

* cited by examiner

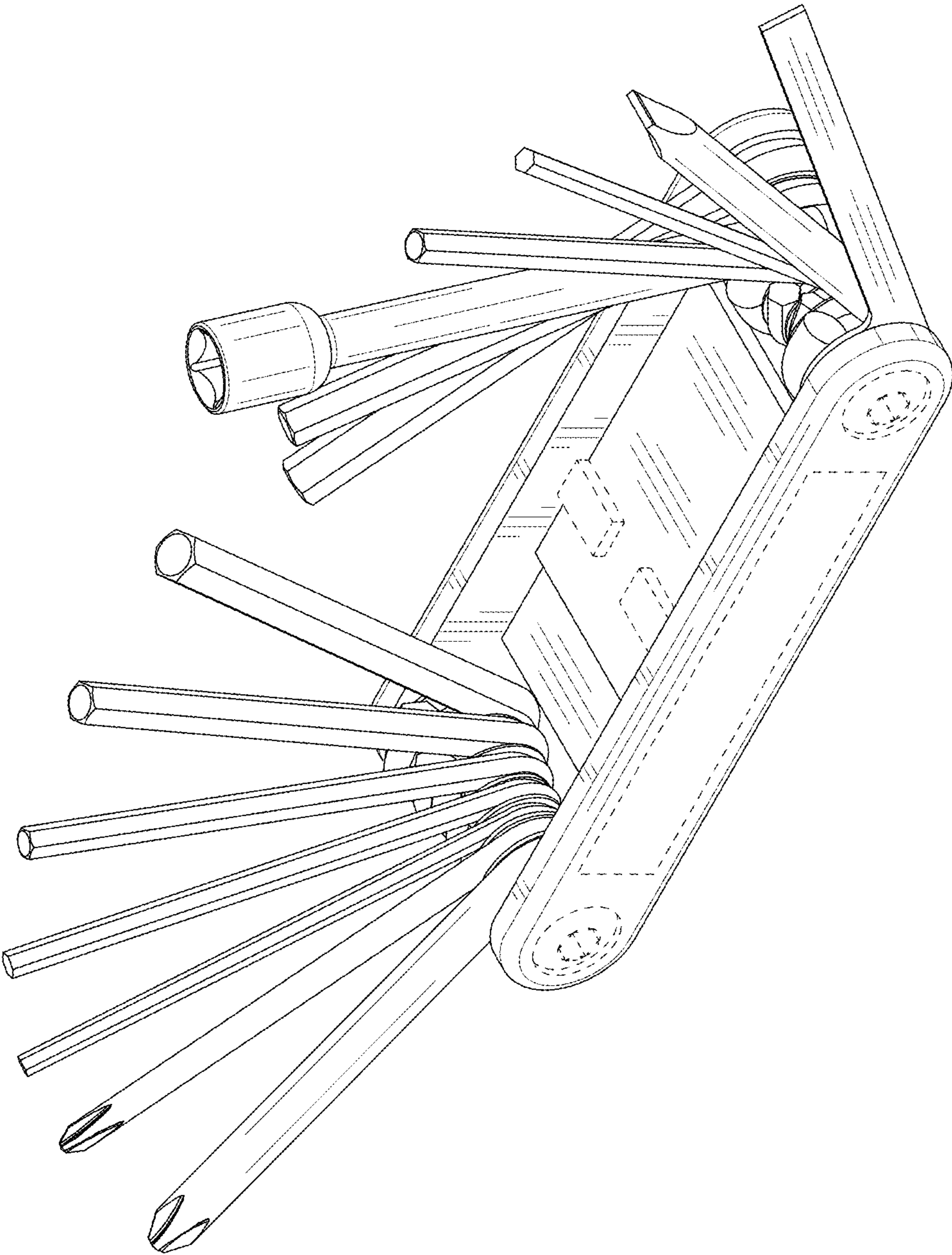


FIG. 1

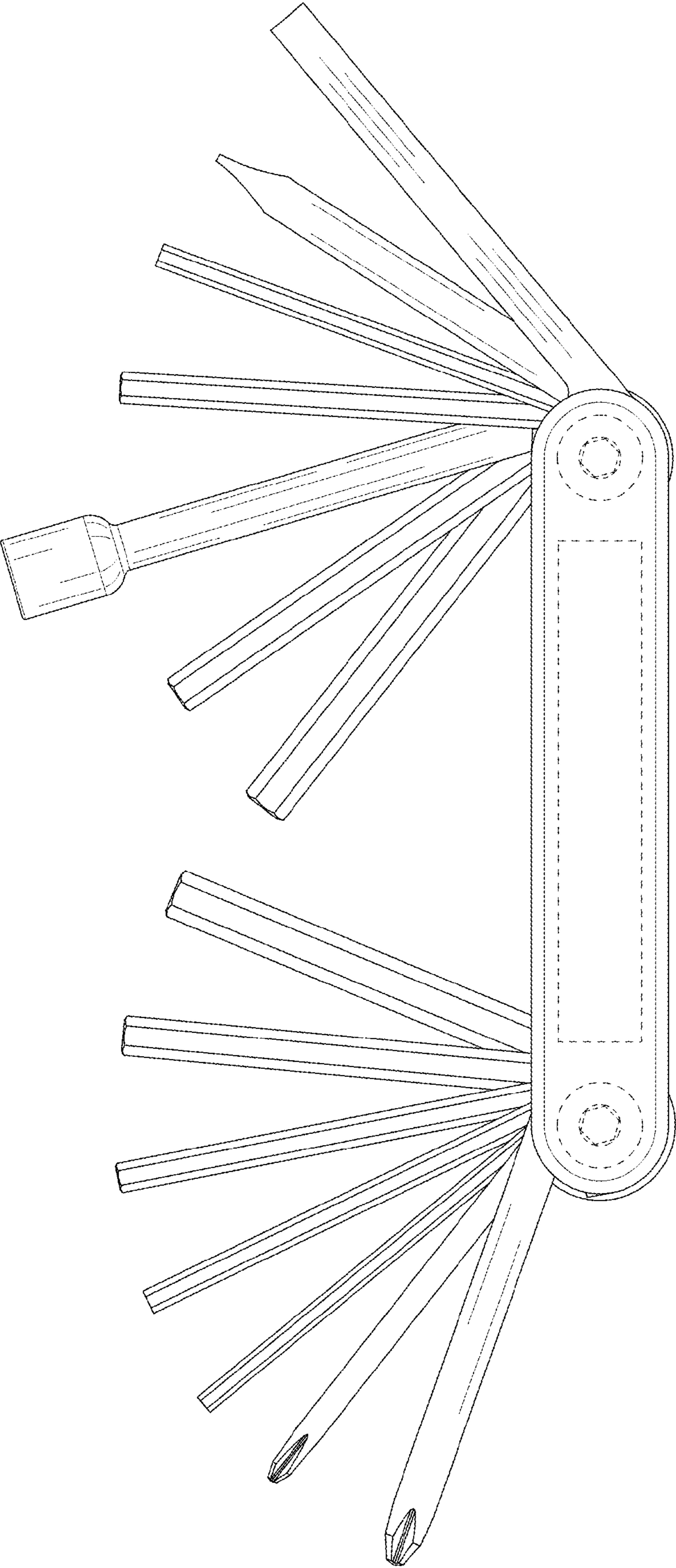


FIG. 2

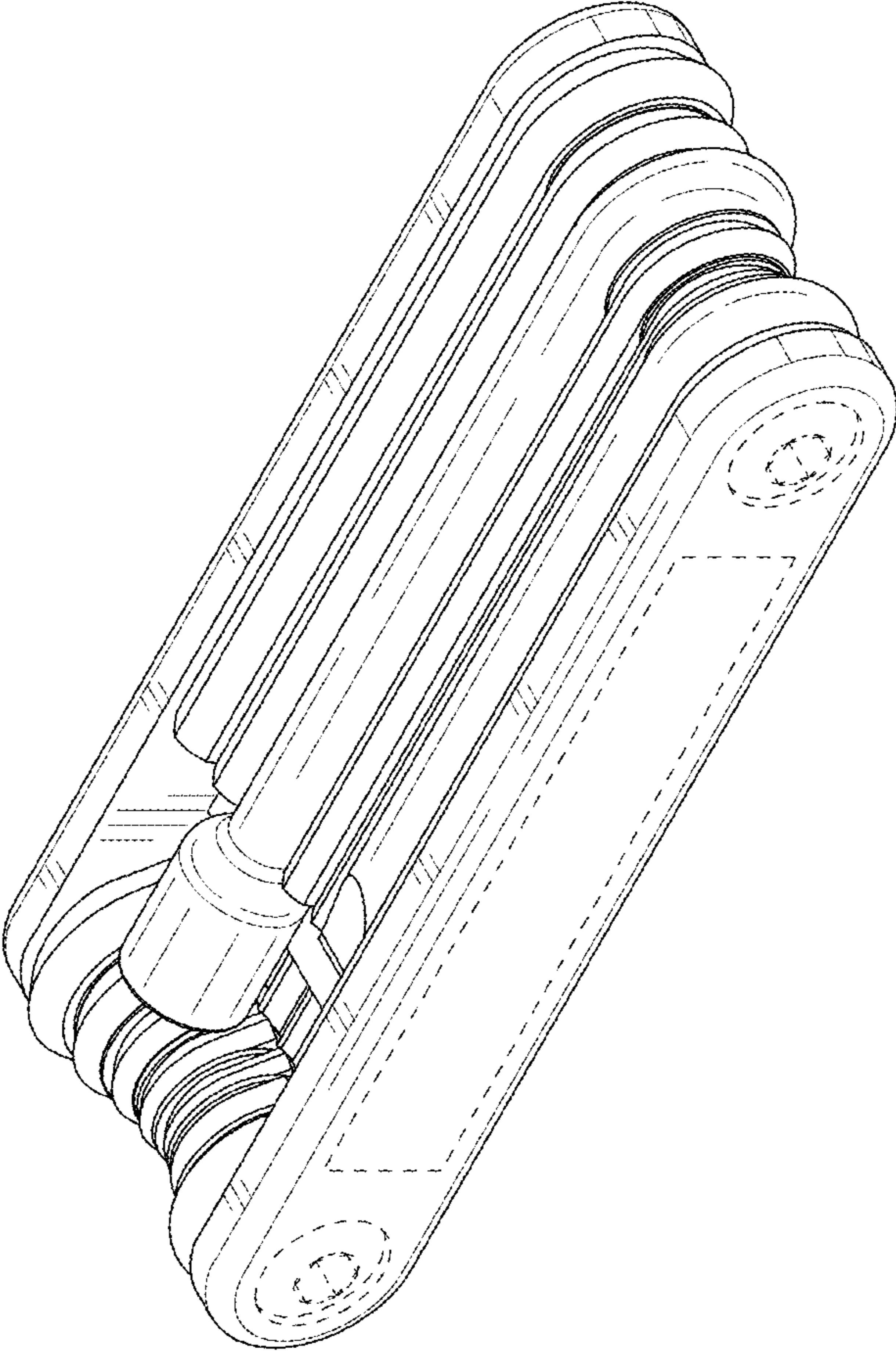


FIG. 3

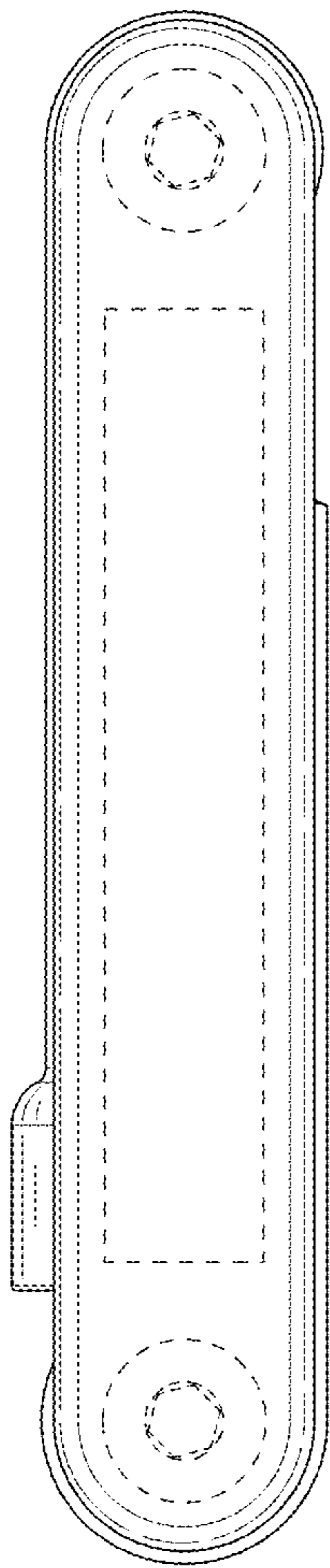


FIG. 4

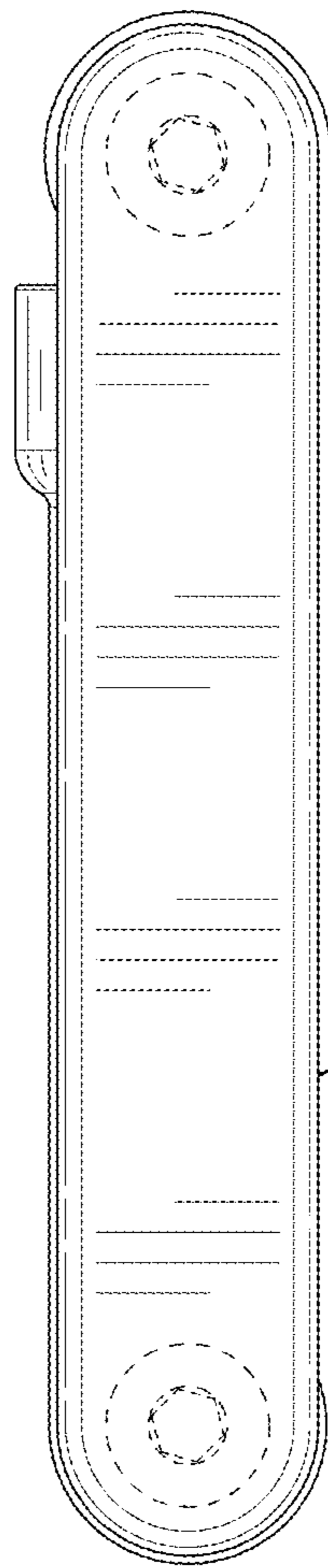


FIG. 5

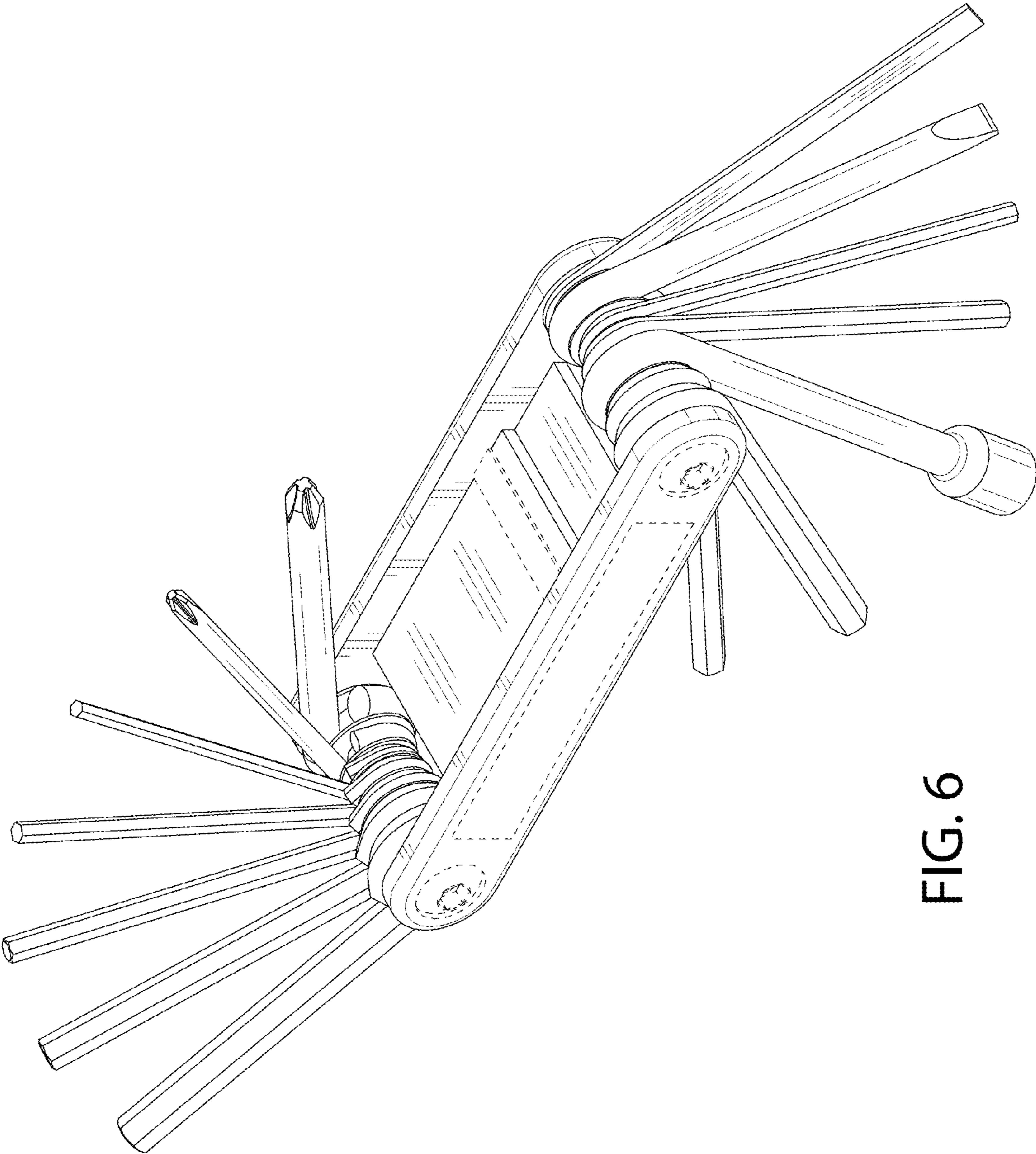


FIG. 6

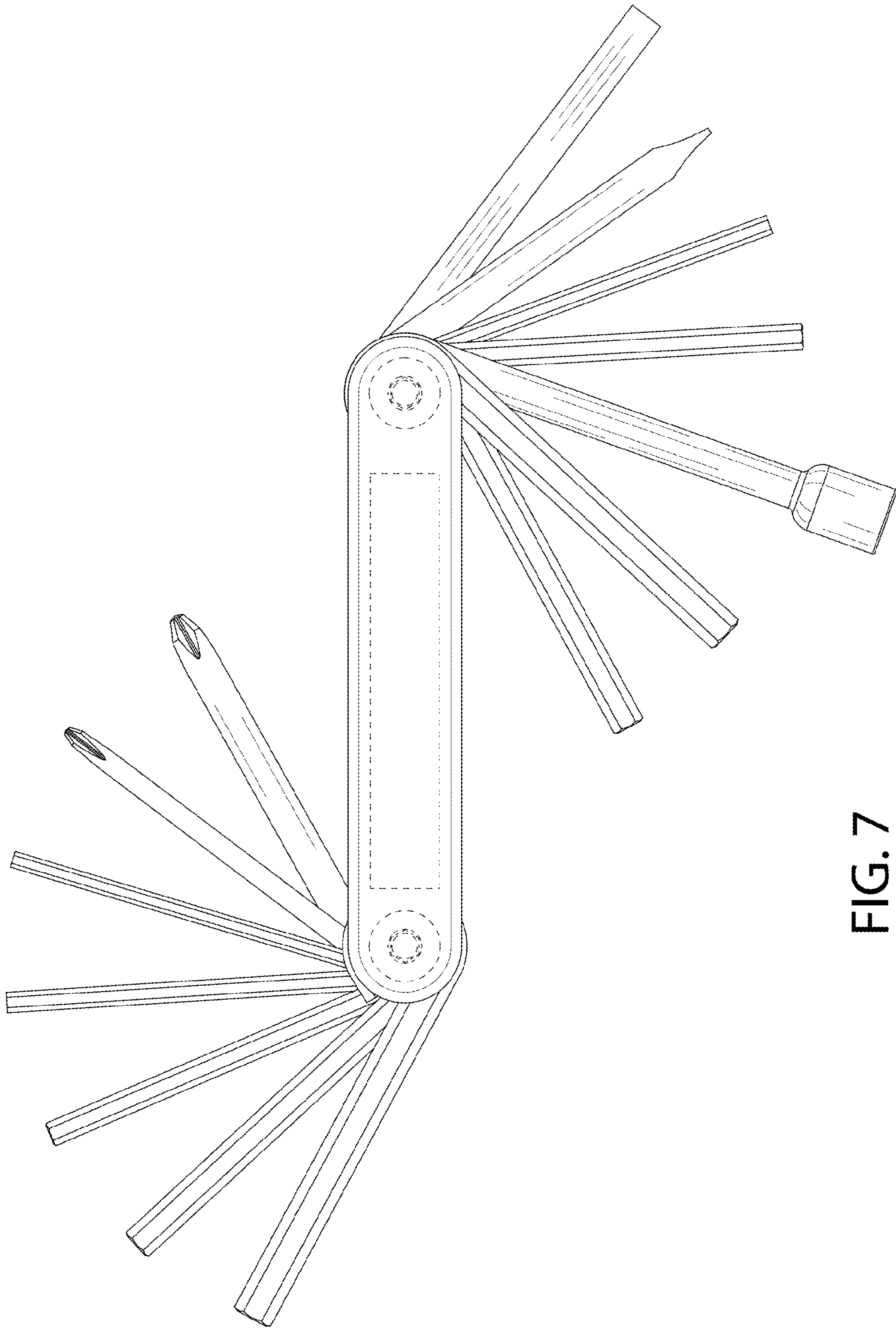


FIG. 7

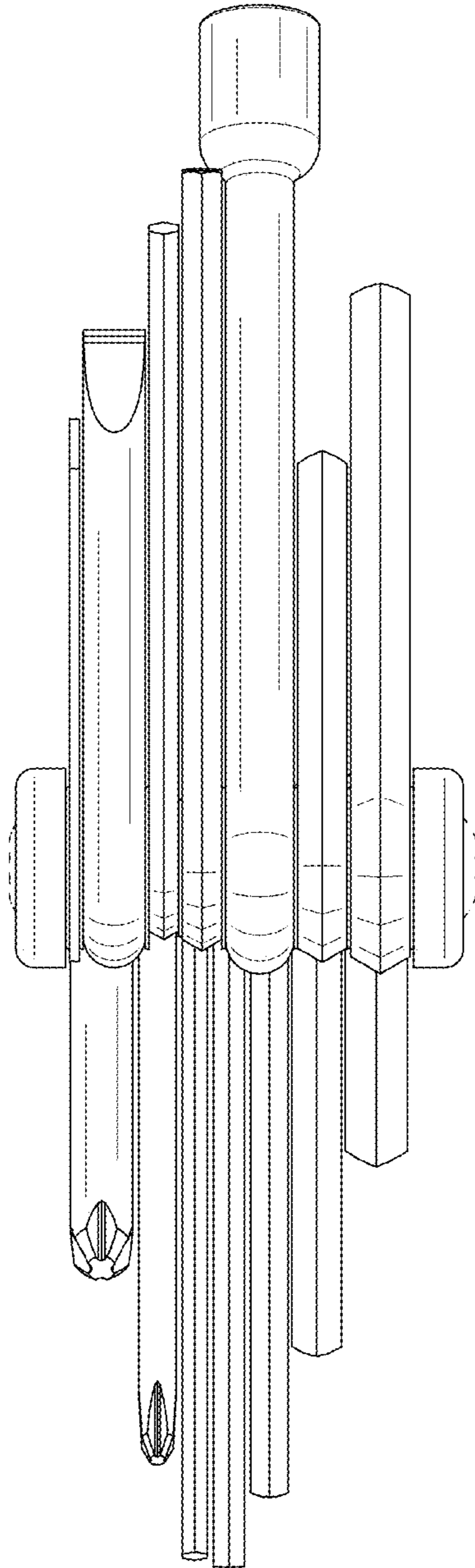


FIG. 8

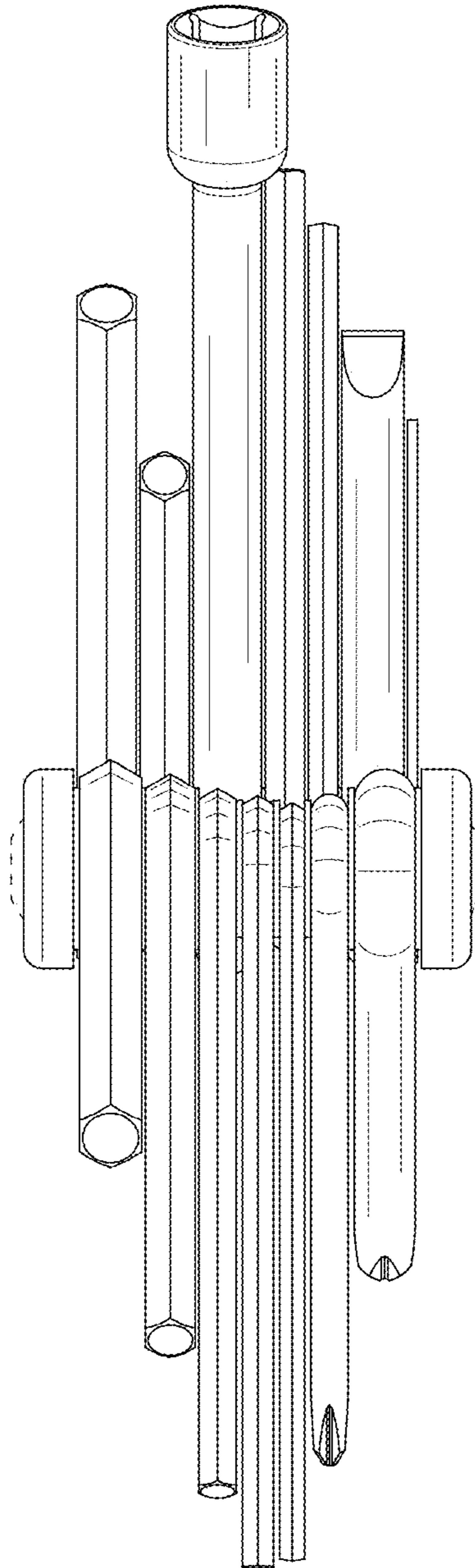


FIG. 9

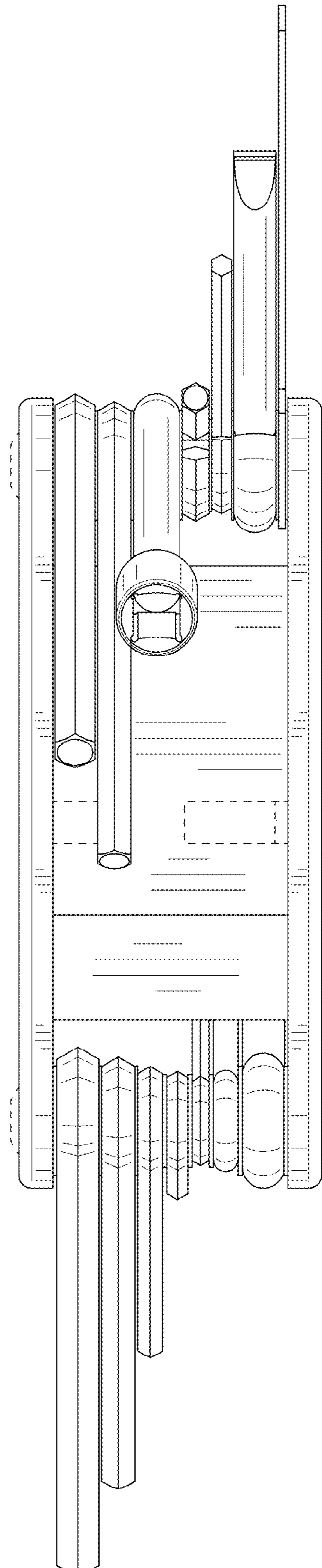


FIG. 10

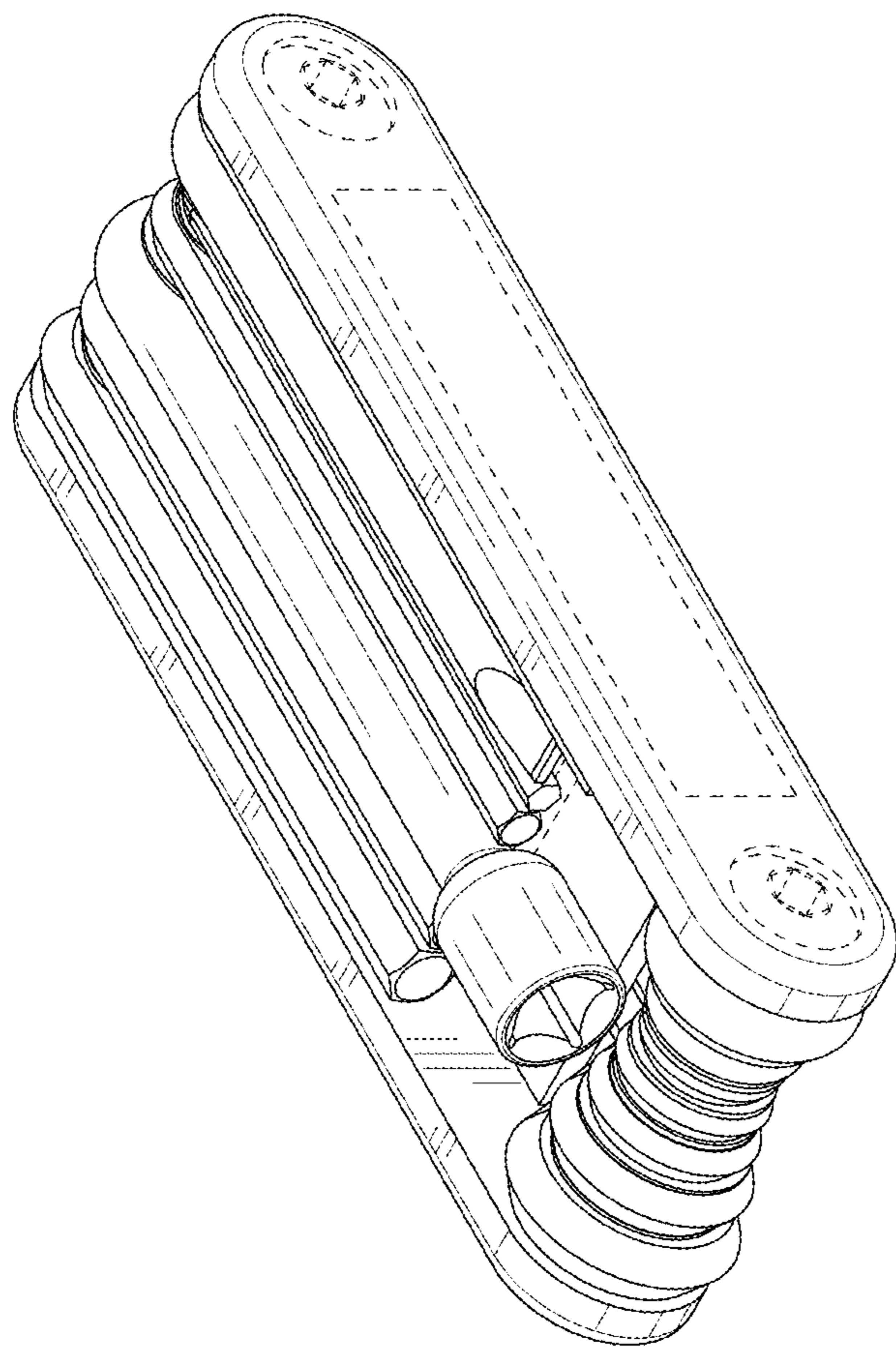


FIG. 11

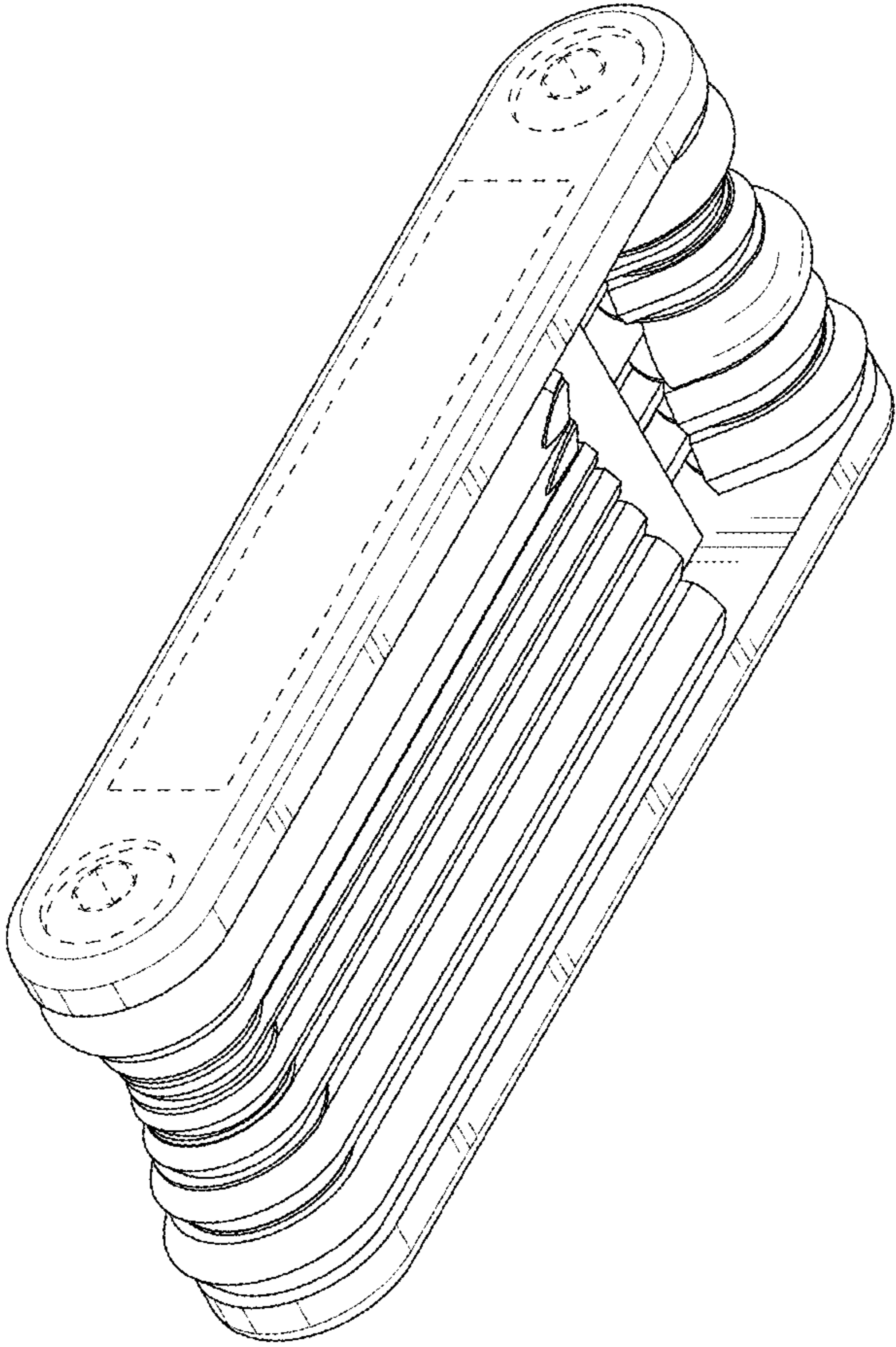


FIG. 12