



US00D897810S

(12) **United States Design Patent** (10) **Patent No.:** **US D897,810 S**
Rau (45) **Date of Patent:** **** Oct. 6, 2020**

(54) **MULTI-PURPOSE TOOL**
(71) Applicant: **CRAYOLA, LLC**, Easton, PA (US)
(72) Inventor: **Thomas R. Rau**, Easton, PA (US)
(73) Assignee: **Crayola, LLC**, Easton, PA (US)
(**) Term: **15 Years**
(21) Appl. No.: **29/649,505**

(22) Filed: **May 30, 2018**
(51) **LOC (12) Cl.** **08-05**
(52) **U.S. Cl.**
USPC **D8/105**
(58) **Field of Classification Search**
USPC ... D8/105, 81, 88, 89, 14, 16-19, 21, 51, 98
CPC . B25G 1/10; B25B 13/04; B66F 15/00; B66F
17/00
See application file for complete search history.

(56) **References Cited**

U.S. PATENT DOCUMENTS

D407,001 S * 3/1999 Allison D8/14
D630,926 S * 1/2011 Rivera D8/105
D648,607 S * 11/2011 Tanger D8/51
D694,609 S * 12/2013 Hicks D8/105
D714,123 S * 9/2014 Hicks D8/105
D720,808 S * 1/2015 Weiland D19/73

D729,314 S * 5/2015 Weiland D19/73
D758,823 S * 6/2016 Hawkins D8/105
D770,261 S * 11/2016 Gehrung D8/105
D811,192 S * 2/2018 Gehrung D8/105
2018/0272443 A1* 9/2018 Collins B43L 23/06

* cited by examiner

Primary Examiner — Janice Hallmark

(74) *Attorney, Agent, or Firm* — Shook, Hardy & Bacon L.L.P.

(57) **CLAIM**

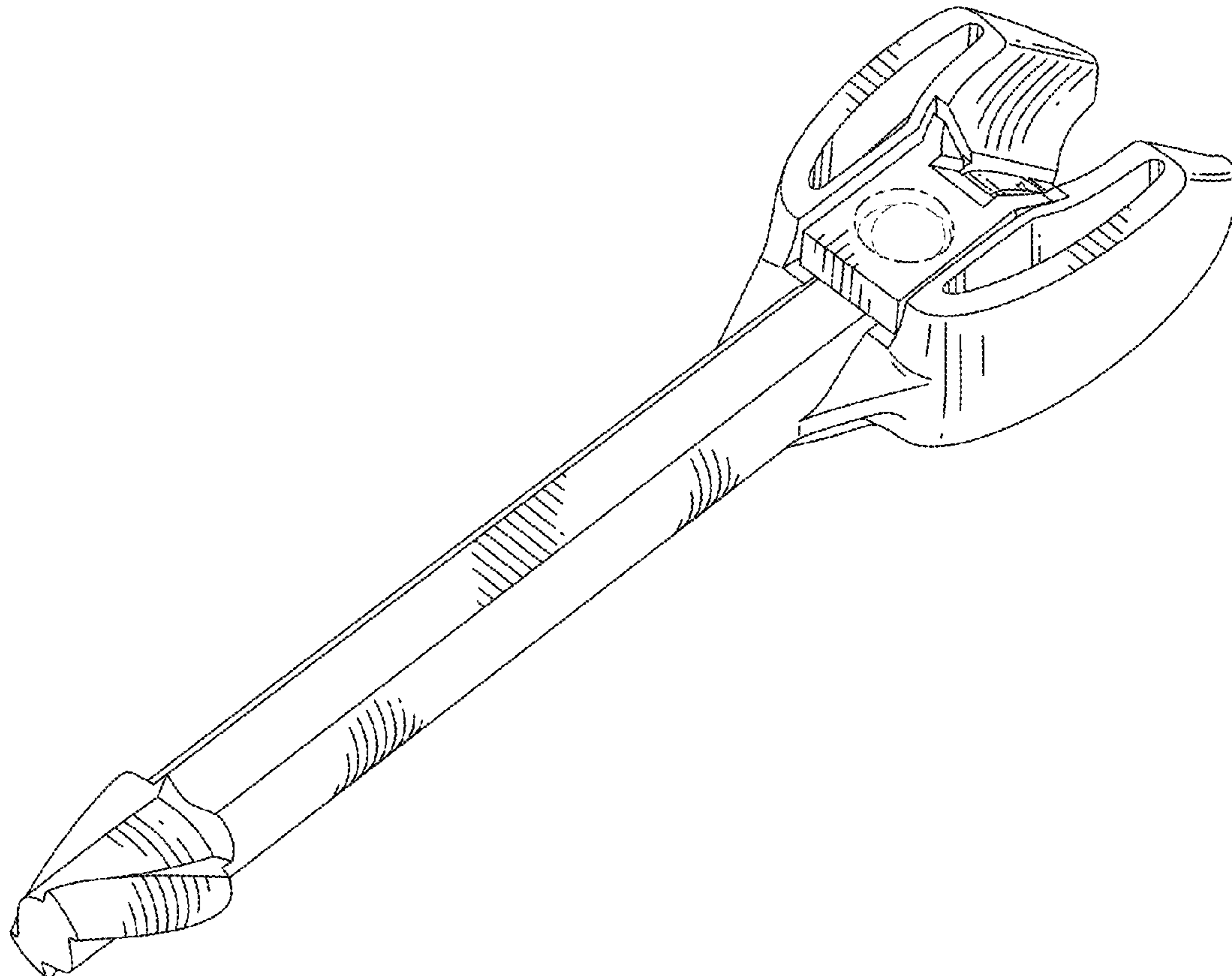
The ornamental design for a multi-purpose tool, as shown and described.

DESCRIPTION

FIG. 1 is a perspective view of a multi-purpose tool showing my design;
FIG. 2 is a front view thereof;
FIG. 3 is a rear view thereof;
FIG. 4 is a first side view thereof;
FIG. 5 is a second side view thereof;
FIG. 6 is a top view thereof; and,
FIG. 7 is a bottom view thereof.

The even-length broken lines are directed to environment, represent unclaimed subject matter, and form no part of the claimed design. The long and short broken lines form an unclaimed boundary around at least a portion of the claimed subject matter and form no part of the claim.

1 Claim, 4 Drawing Sheets



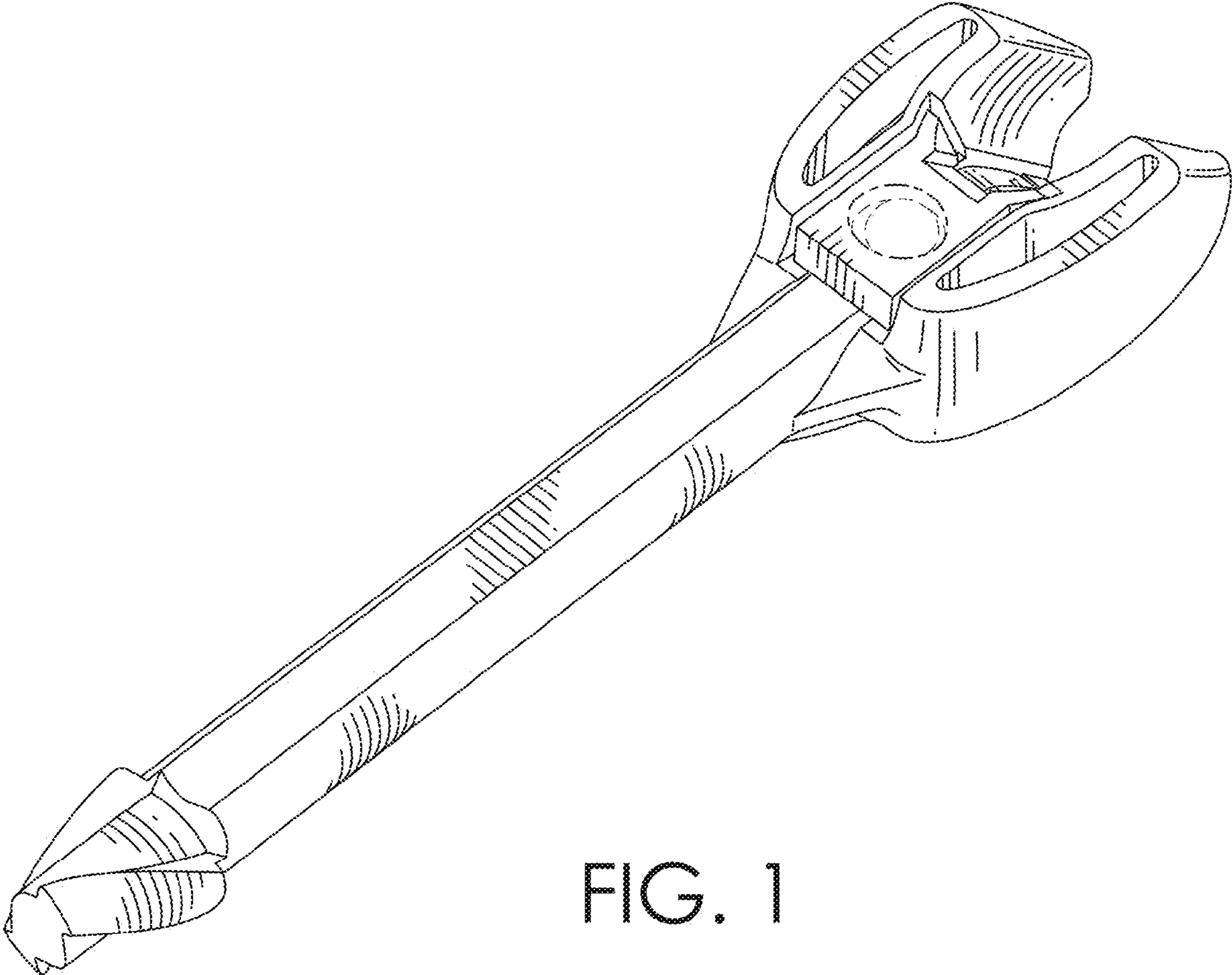


FIG. 1

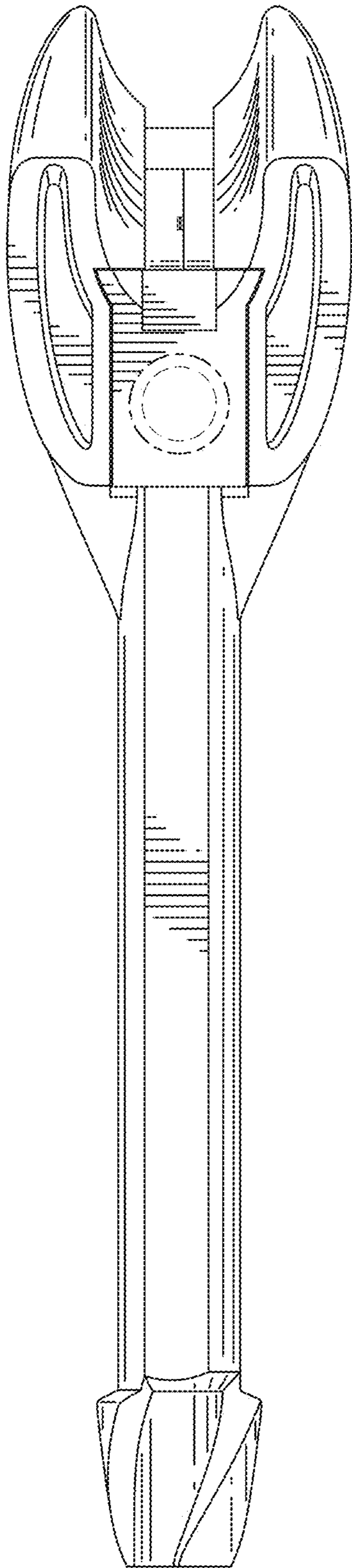


FIG. 2

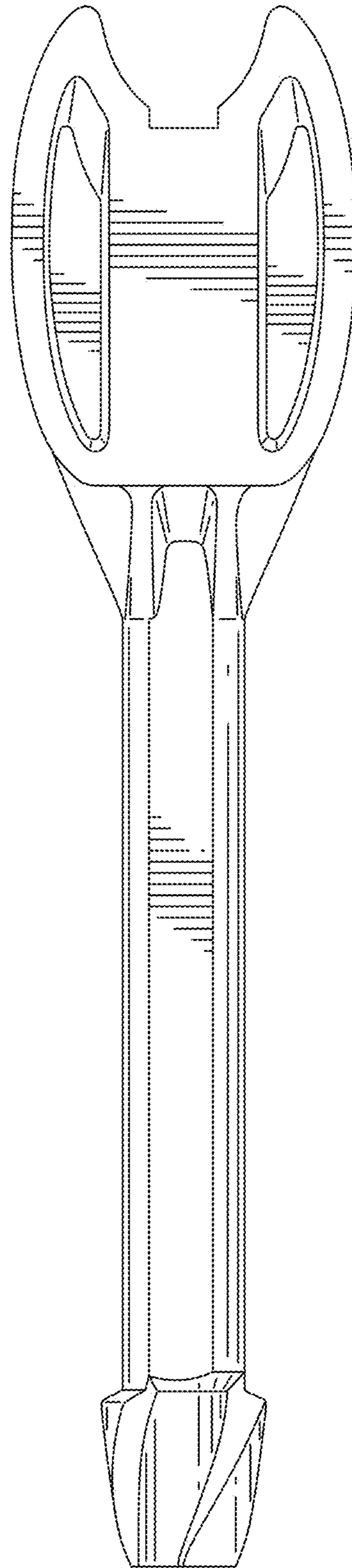


FIG. 3

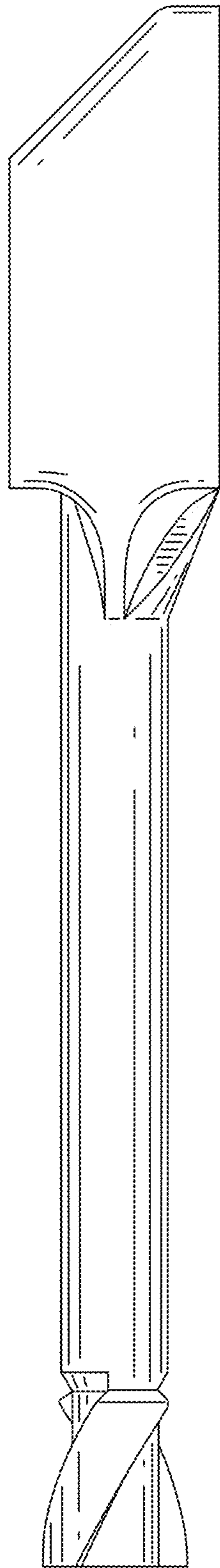


FIG. 4

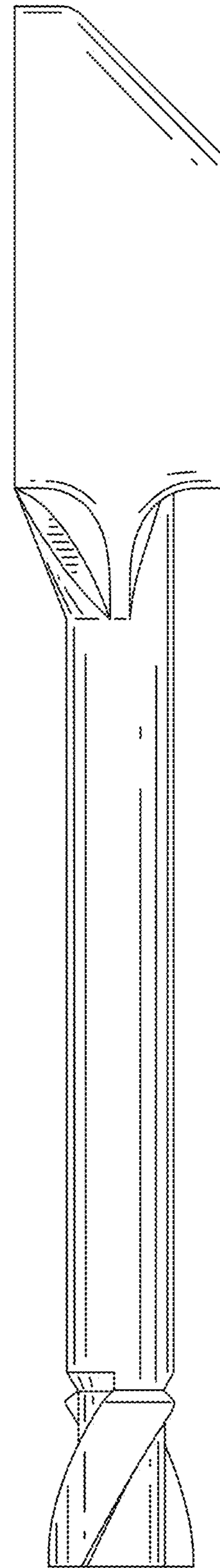


FIG. 5

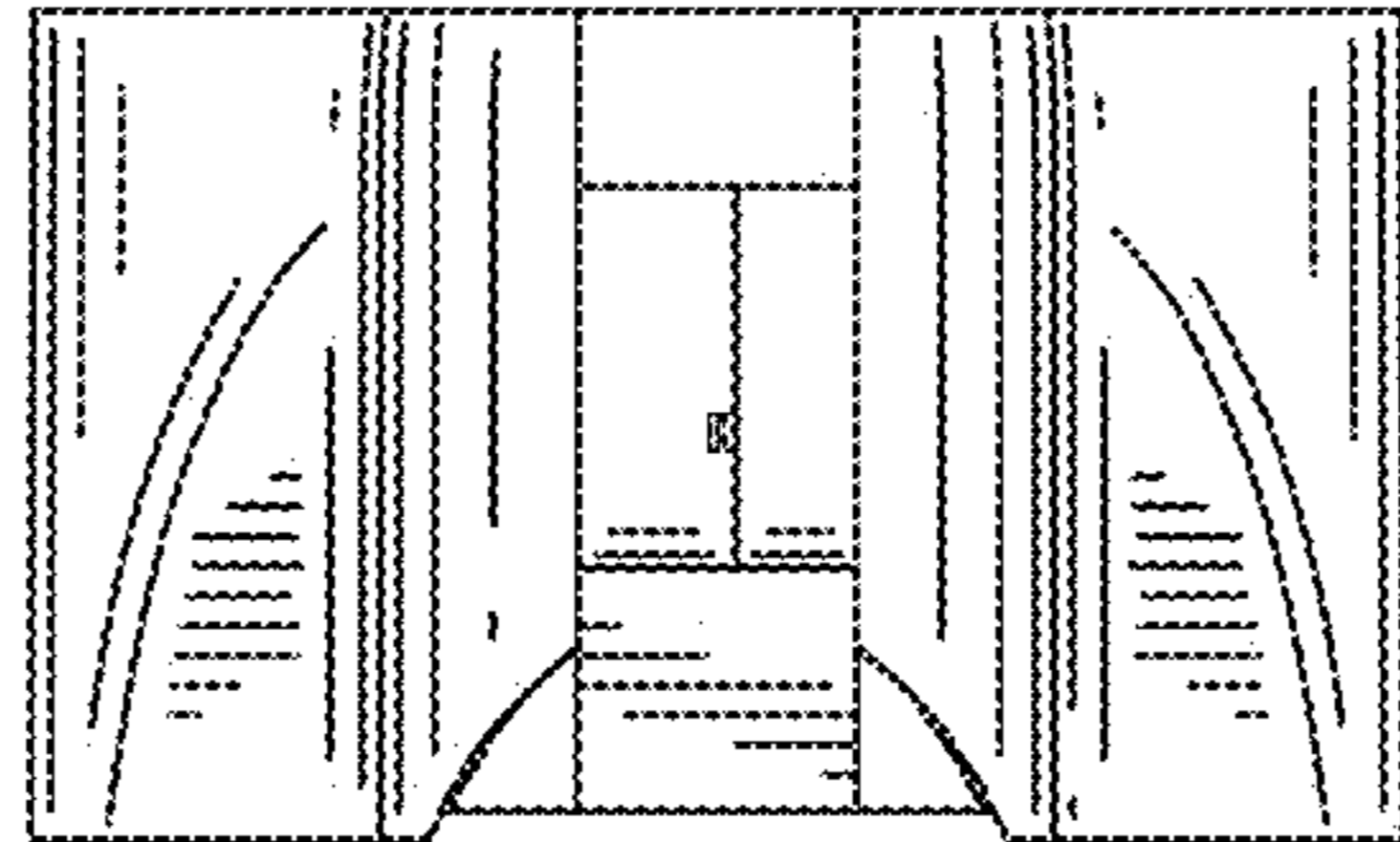


FIG. 6

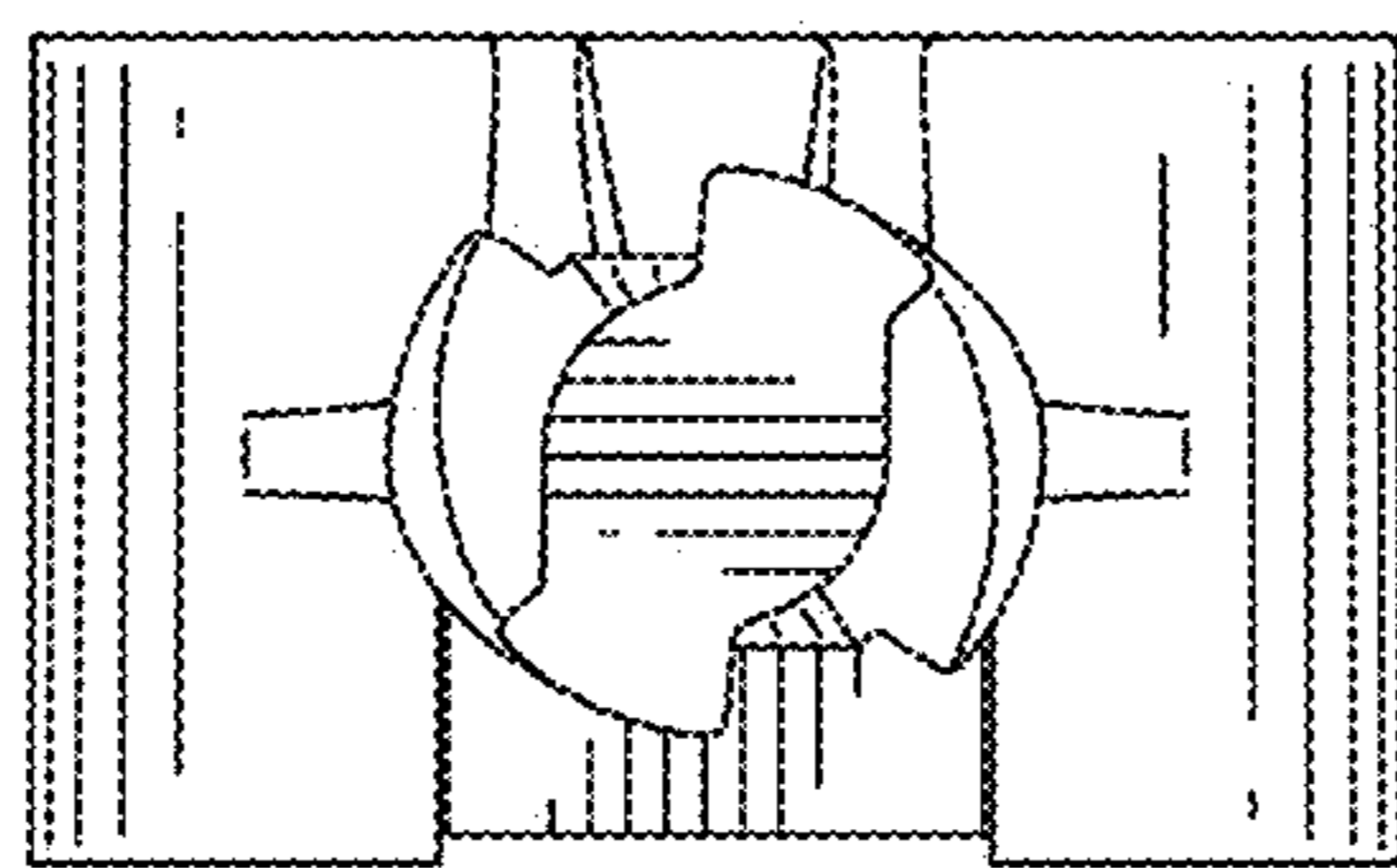


FIG. 7