



US00D897809S

(12) **United States Design Patent**  
**Gao**

(10) **Patent No.:** **US D897,809 S**

(45) **Date of Patent:** **\*\* Oct. 6, 2020**

(54) **UTILITY KNIFE**  
(71) Applicant: **ZHEJIANG XINGDA STATIONERY CO. LTD.**, Ningbo, Zhejiang Province (CN)

(72) Inventor: **Hongtao Gao**, Ningbo (CN)

(73) Assignee: **ZHEJIANG XINGDA STATIONERY CO. LTD.**, Ningbo (CN)

(\*\*) Term: **15 Years**

(21) Appl. No.: **29/684,955**

(22) Filed: **Mar. 25, 2019**

(30) **Foreign Application Priority Data**

Jan. 2, 2019 (CN) ..... 2019 3 0001167

(51) **LOC (12) Cl.** ..... **08-03**

(52) **U.S. Cl.**  
USPC ..... **D8/99**

(58) **Field of Classification Search**  
USPC ..... D8/98, 99, 100, 105, 107; D22/118  
CPC ..... B26B 5/001; B26B 5/003; B26B 11/00;  
B26B 1/08; B26B 1/02; B26B 1/10;  
B26B 1/04; B26B 1/046; B26B 1/048;  
B26B 1/042

See application file for complete search history.

(56) **References Cited**

**U.S. PATENT DOCUMENTS**

5,849,755 A \* 12/1998 Englert ..... C07D 311/58  
514/309  
6,354,007 B1 \* 3/2002 Scarla ..... B26B 1/02  
30/156  
D494,437 S \* 8/2004 Scarla ..... D8/99  
6,915,577 B2 \* 7/2005 Scala ..... B26B 1/02  
30/156  
D519,817 S \* 5/2006 Wong ..... D8/99

D526,878 S \* 8/2006 Ping ..... D8/99  
7,380,341 B2 \* 6/2008 Ping ..... B26B 1/042  
30/155  
D586,137 S \* 2/2009 Massaud ..... D6/366  
D602,326 S \* 10/2009 Garcia ..... D8/99  
7,797,836 B2 \* 9/2010 Ranieri ..... B26B 5/001  
30/162  
7,814,664 B2 \* 10/2010 LeBlanc ..... B26B 5/00  
30/156  
D645,719 S \* 9/2011 Wu ..... D8/99  
D654,343 S \* 2/2012 Wu ..... D8/99  
D691,081 S \* 10/2013 Watkin ..... D12/211  
8,938,883 B2 \* 1/2015 Gringer ..... B26B 1/048  
30/155  
D829,525 S \* 10/2018 Wong ..... D8/99  
2006/0272157 A1 \* 12/2006 Zeng ..... B26B 1/048  
30/161

(Continued)

*Primary Examiner* — Philip S Hyder

(74) *Attorney, Agent, or Firm* — Bayramoglu Law Offices LLC

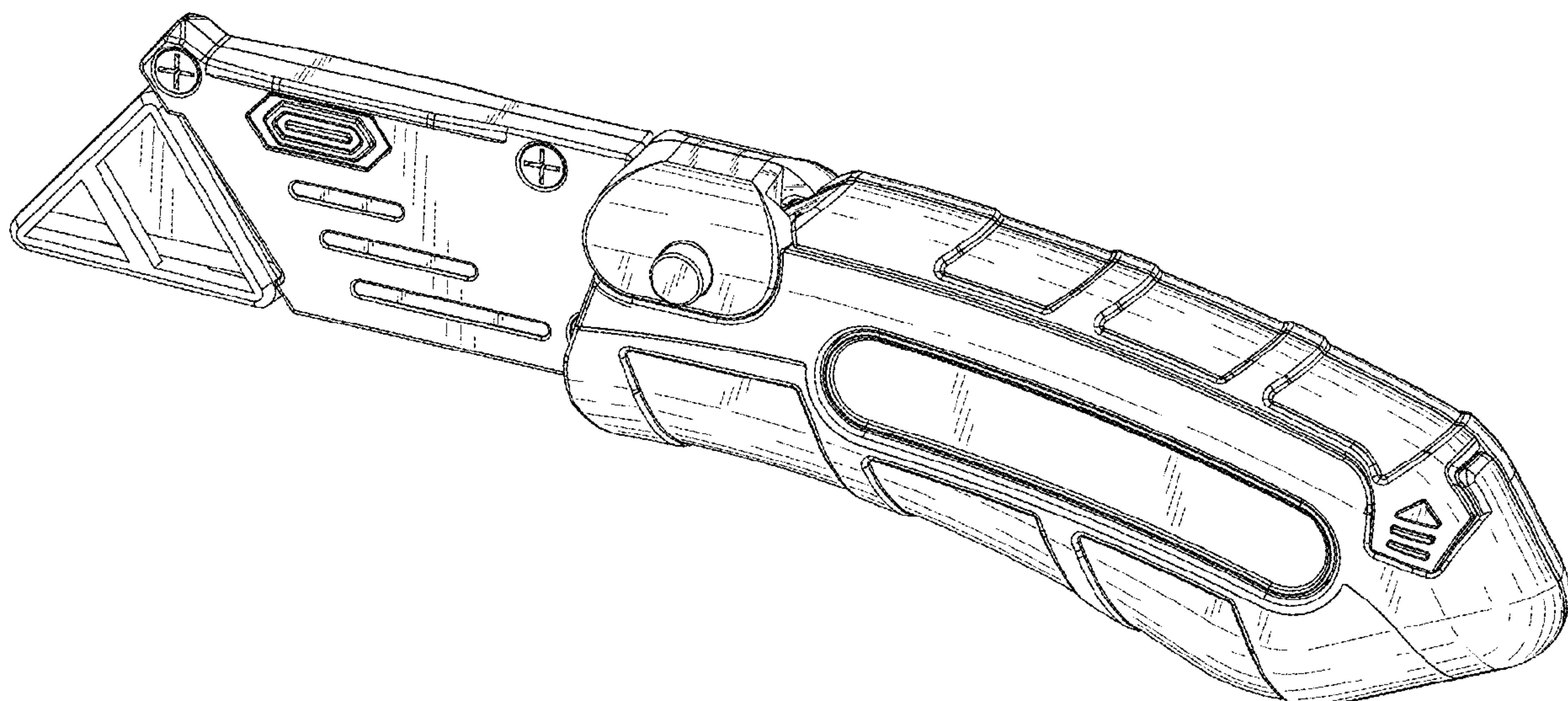
(57) **CLAIM**

The ornamental design for a utility knife, as shown and described.

**DESCRIPTION**

FIG. 1 is a left elevation view of a utility knife showing my new design;  
FIG. 2 is a right elevation view thereof;  
FIG. 3 is a front elevation view thereof;  
FIG. 4 is a rear elevation view thereof;  
FIG. 5 is a top plan view thereof;  
FIG. 6 is a bottom plan view thereof;  
FIG. 7 is a left perspective view thereof;  
FIG. 8 is a left perspective view thereof, in the open configuration; and,  
FIG. 9 is a left perspective view thereof, in the open configuration and with the blade guard removed and the blade exposed.

**1 Claim, 7 Drawing Sheets**



(56)

**References Cited**

U.S. PATENT DOCUMENTS

2010/0263214 A1 \* 10/2010 Robinson ..... B26B 1/02  
30/156

\* cited by examiner

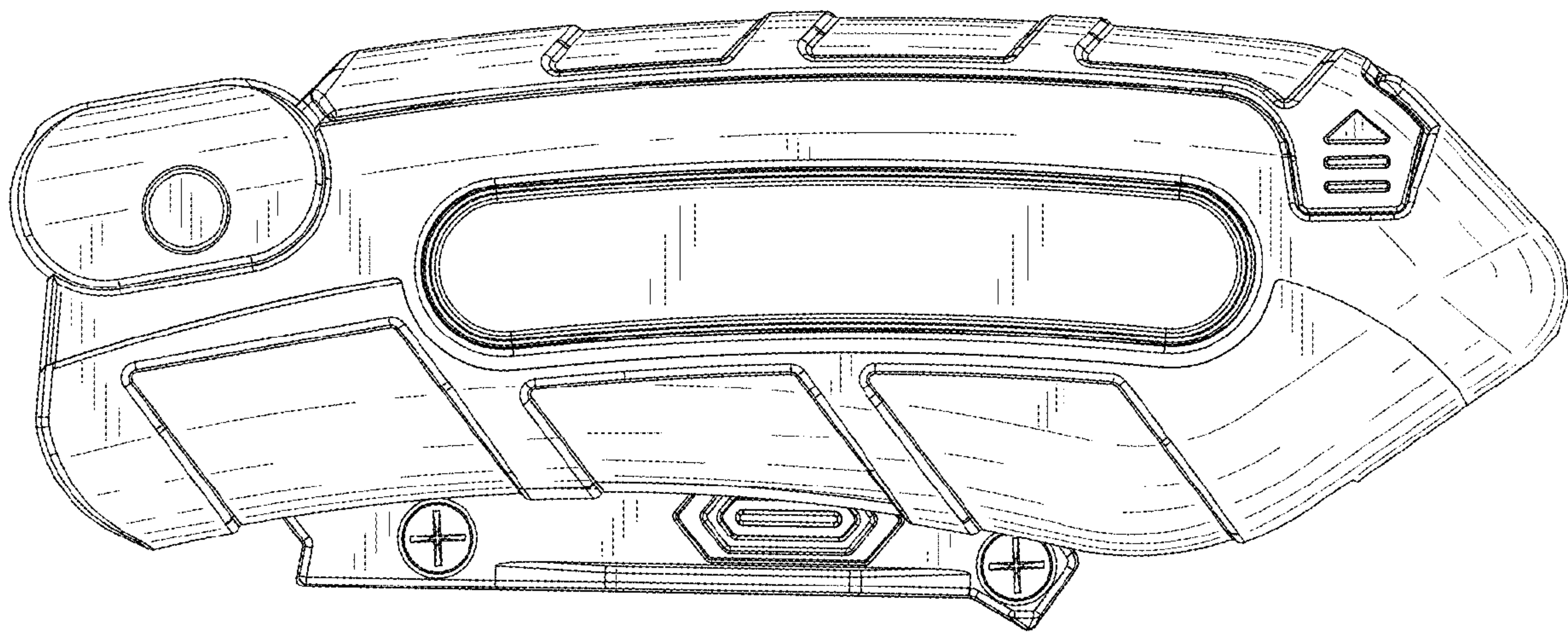


FIG. 1



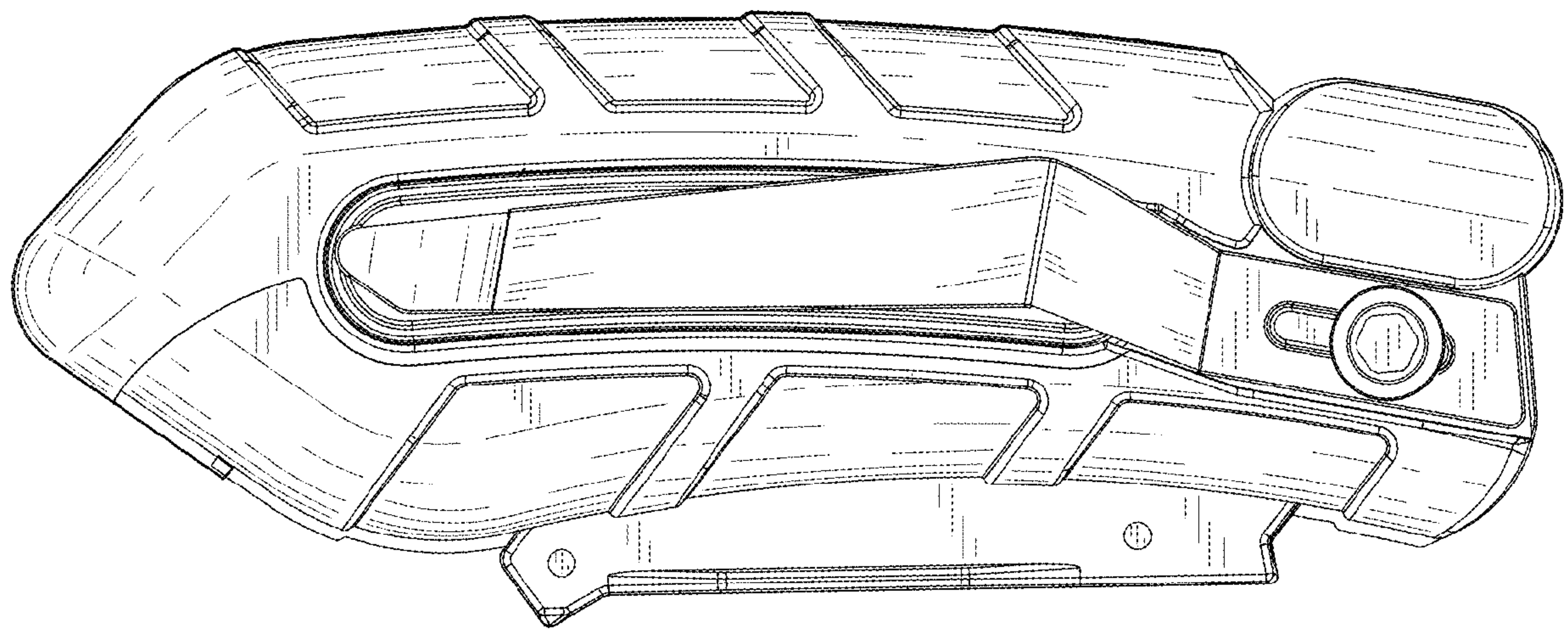


FIG. 2

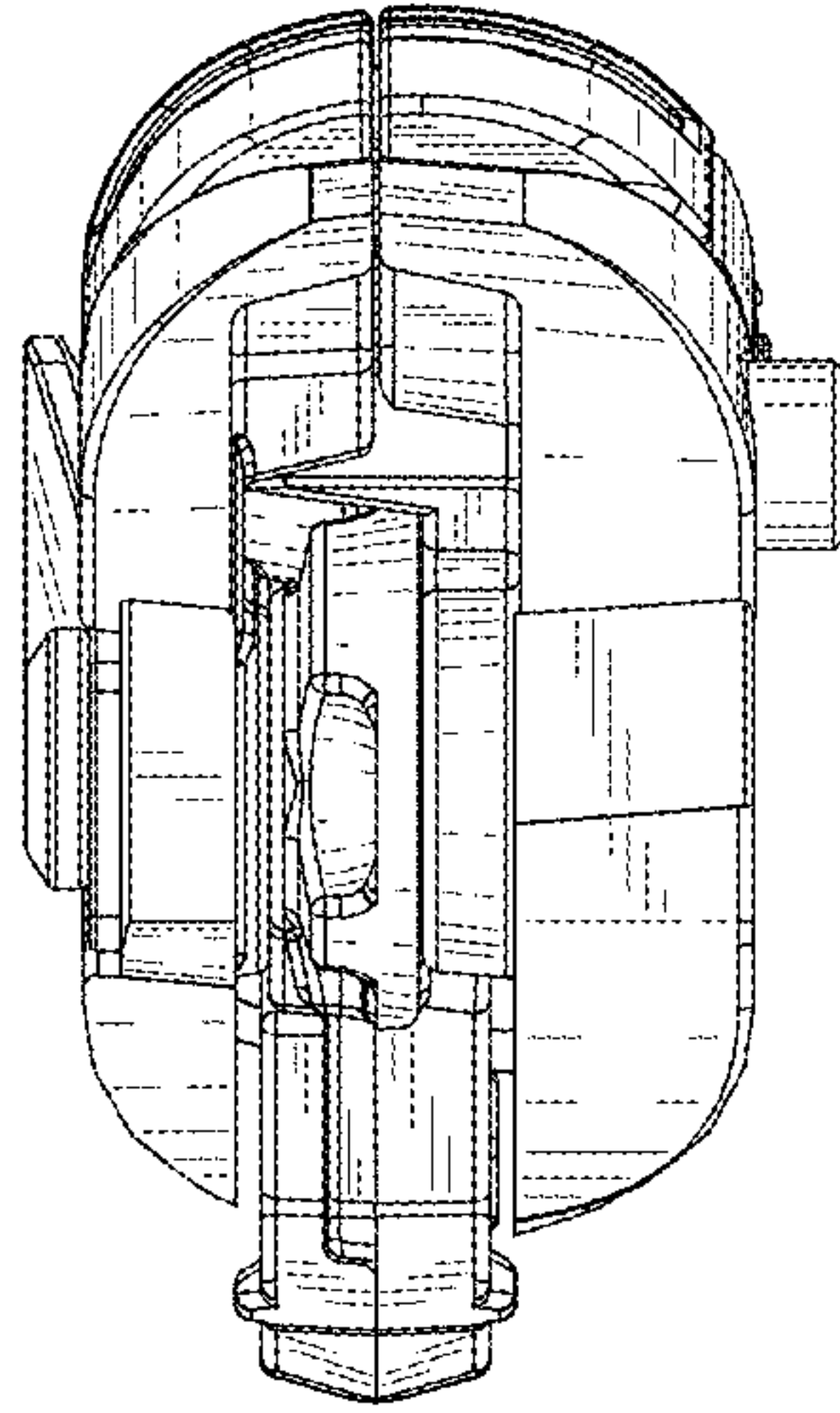


FIG. 3

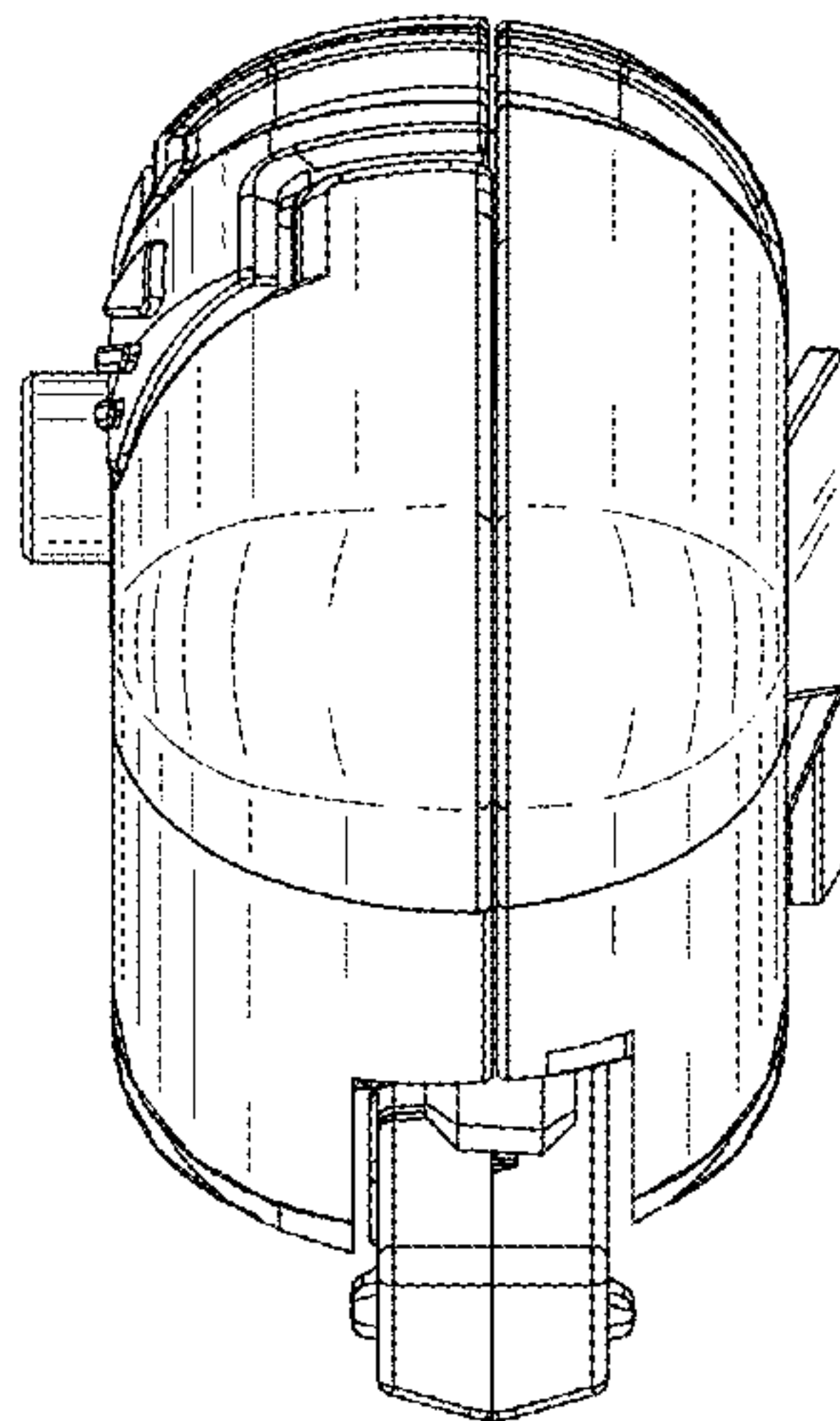


FIG. 4

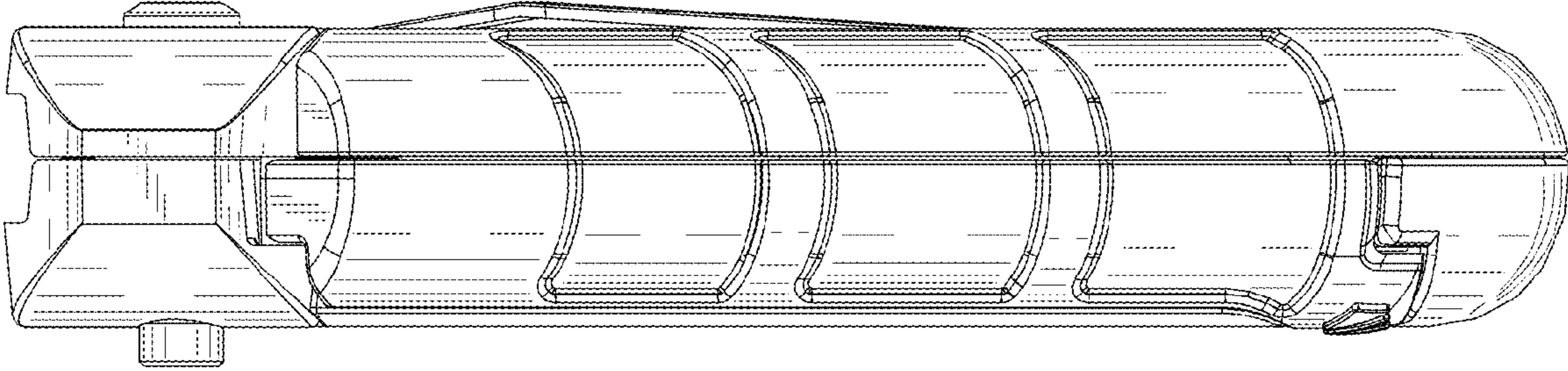


FIG. 5

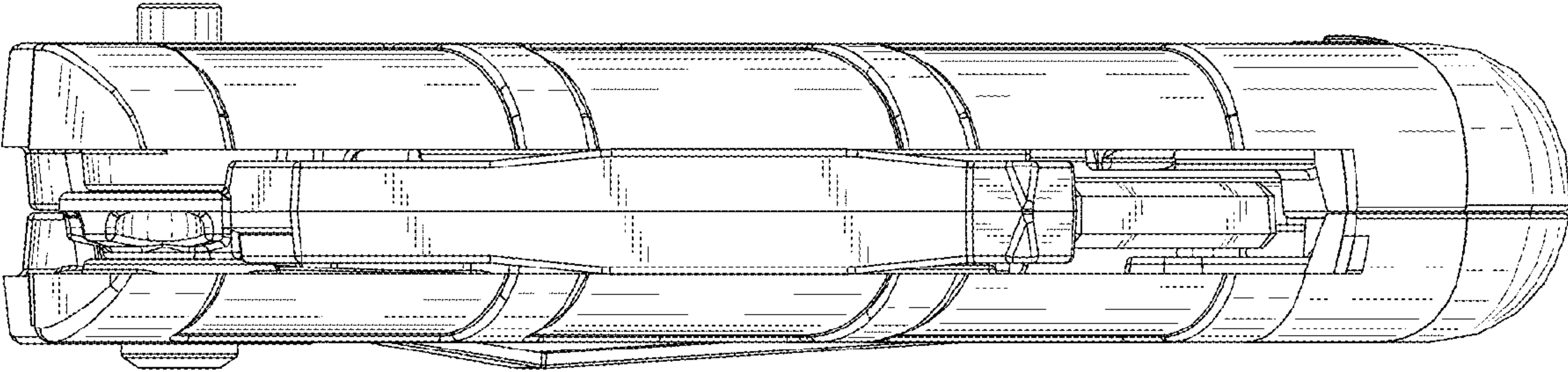


FIG. 6

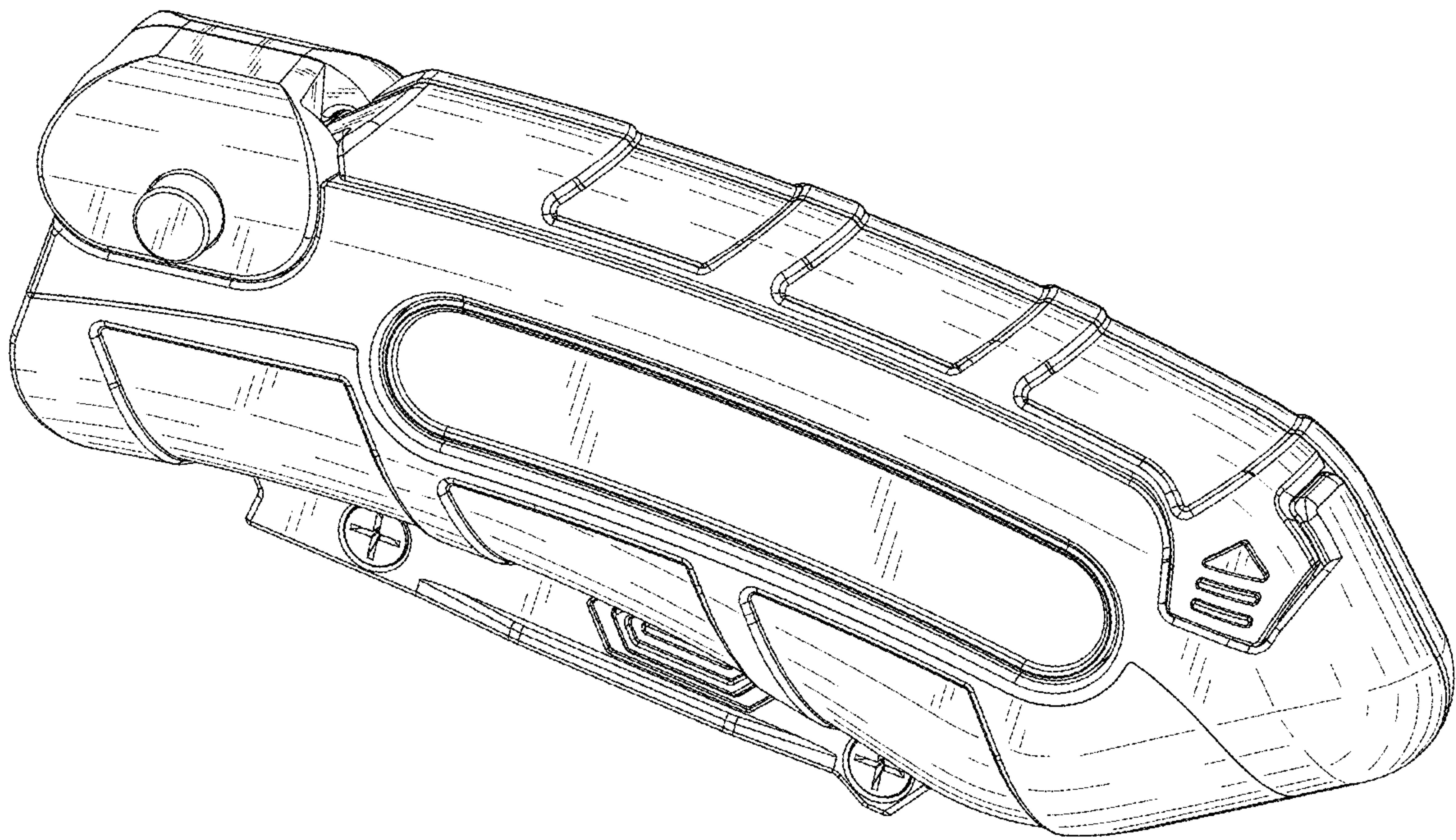


FIG. 7



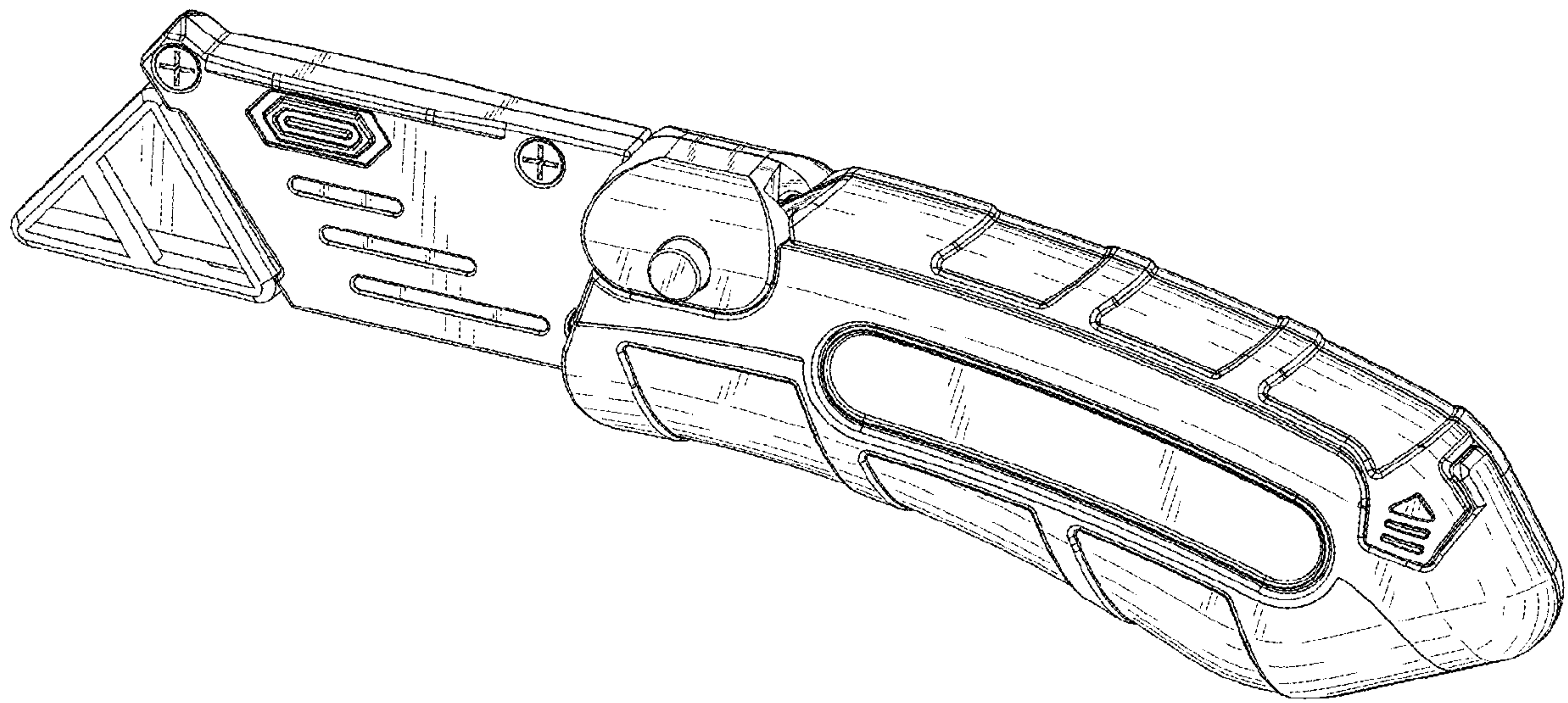


FIG. 8



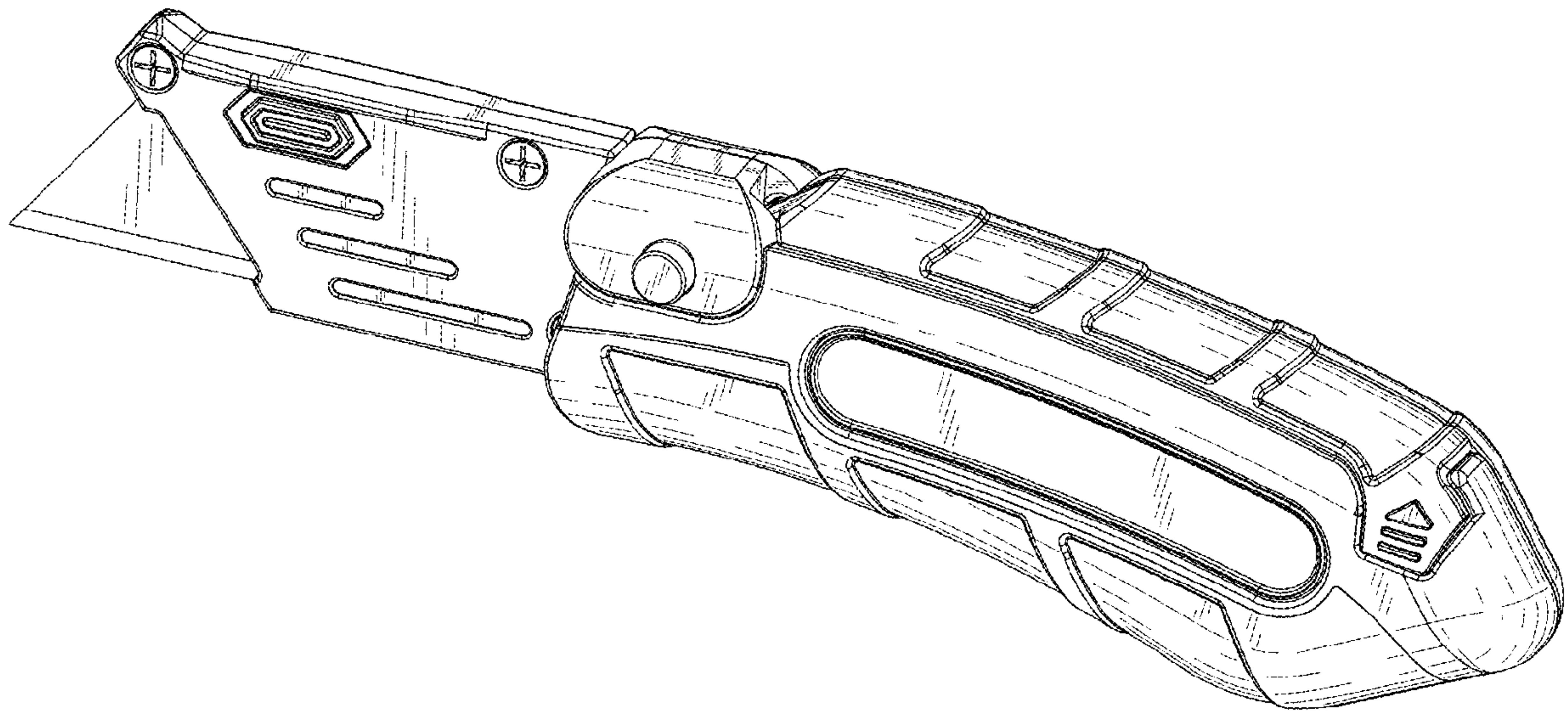


FIG. 9