



US00D897808S

(12) **United States Design Patent**
Gao

(10) **Patent No.:** **US D897,808 S**

(45) **Date of Patent:** **** Oct. 6, 2020**

(54) **UTILITY KNIFE**
(71) Applicant: **ZHEJIANG XINGDA STATIONERY CO. LTD.**, Ningbo, Zhejiang Province (CN)

(72) Inventor: **Hongtao Gao**, Ningbo (CN)
(73) Assignee: **ZHEJIANG XINGDA STATIONERY CO. LTD.**, Ningbo (CN)

(**) Term: **15 Years**

(21) Appl. No.: **29/684,951**

(22) Filed: **Mar. 25, 2019**

(30) **Foreign Application Priority Data**

Jan. 2, 2019 (CN) 2019 3 0001168

(51) **LOC (12) Cl.** **08-03**

(52) **U.S. Cl.**
USPC **D8/99**

(58) **Field of Classification Search**
USPC D8/98, 99, 100, 105, 107; D22/118
CPC B26B 5/001; B26B 5/003; B26B 11/00;
B26B 1/08; B26B 1/02; B26B 1/10;
B26B 1/04; B26B 1/046; B26B 1/048;
B26B 1/042
See application file for complete search history.

(56) **References Cited**

U.S. PATENT DOCUMENTS

5,849,755 A * 12/1998 Englert C07D 311/58
514/309
6,354,007 B1 * 3/2002 Scarla B26B 1/02
30/156
D494,437 S * 8/2004 Scarla D8/99
6,915,577 B2 * 7/2005 Scala B26B 1/02
30/156
D519,817 S * 5/2006 Wong D8/99

D526,878 S * 8/2006 Ping D8/99
7,380,341 B2 * 6/2008 Ping B26B 1/042
30/155
D586,137 S * 2/2009 Massaud D6/366
D602,326 S * 10/2009 Garcia D8/99
7,797,836 B2 * 9/2010 Ranieri B26B 5/001
30/162
7,814,664 B2 * 10/2010 LeBlanc B26B 5/00
30/156
D645,719 S * 9/2011 Wu D8/99
D654,343 S * 2/2012 Wu D8/99
D691,081 S * 10/2013 Watkin D12/211
8,938,883 B2 * 1/2015 Gringer B26B 1/048
30/155
D829,525 S * 10/2018 Wong D8/99
2006/0272157 A1 * 12/2006 Zeng B26B 1/048
30/161

(Continued)

Primary Examiner — Philip S Hyder

(74) *Attorney, Agent, or Firm* — Bayramoglu Law Offices LLC

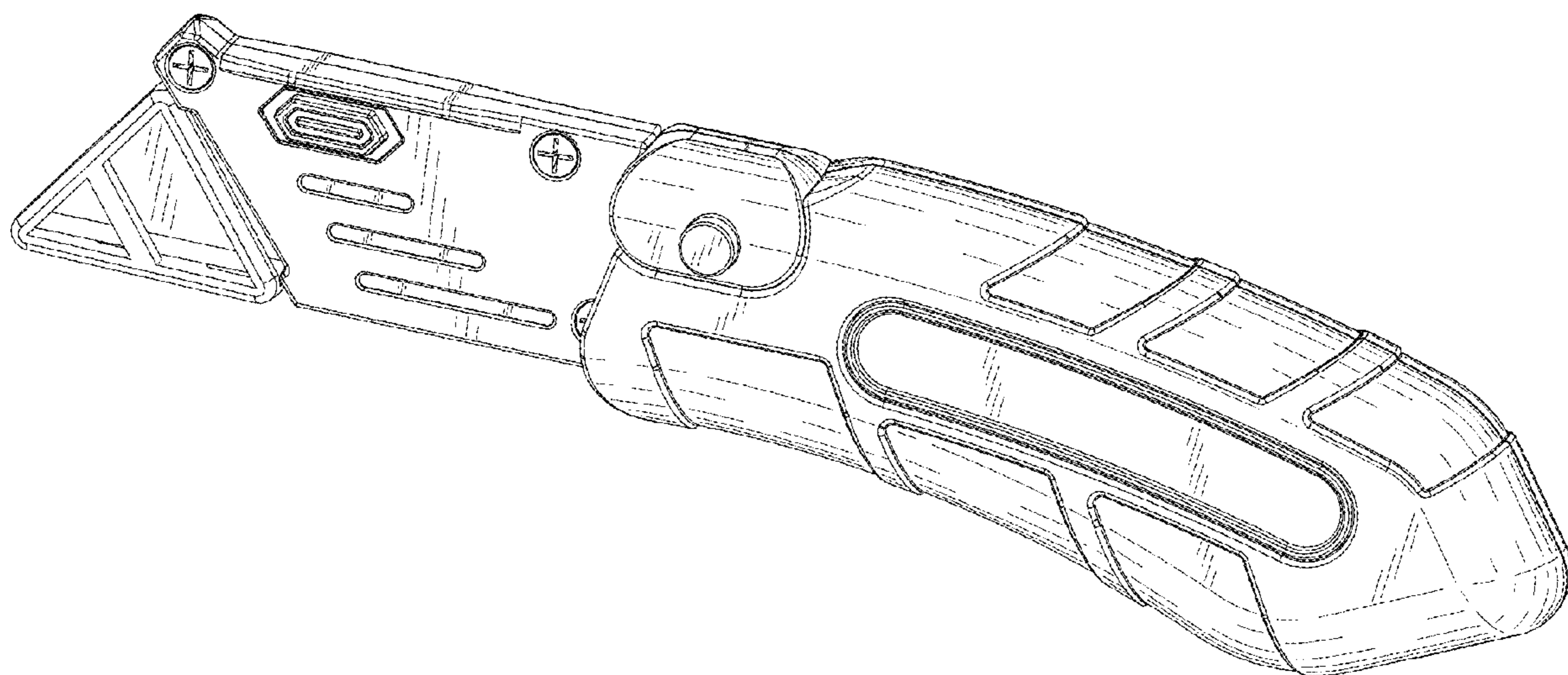
(57) **CLAIM**

The ornamental design for a utility knife, as shown and described.

DESCRIPTION

FIG. 1 is a left elevation view of a utility knife showing my new design;
FIG. 2 is a right elevation view thereof;
FIG. 3 is a front elevation view thereof;
FIG. 4 is a rear elevation view thereof;
FIG. 5 is a top plan view thereof;
FIG. 6 is a bottom plan view thereof;
FIG. 7 is a left perspective view thereof;
FIG. 8 is a left perspective view thereof, in the open configuration; and,
FIG. 9 is a left perspective view thereof, in the open configuration and with the blade guard removed and the blade exposed.

1 Claim, 7 Drawing Sheets



(56)

References Cited

U.S. PATENT DOCUMENTS

2010/0263214 A1* 10/2010 Robinson B26B 1/02
30/156

* cited by examiner

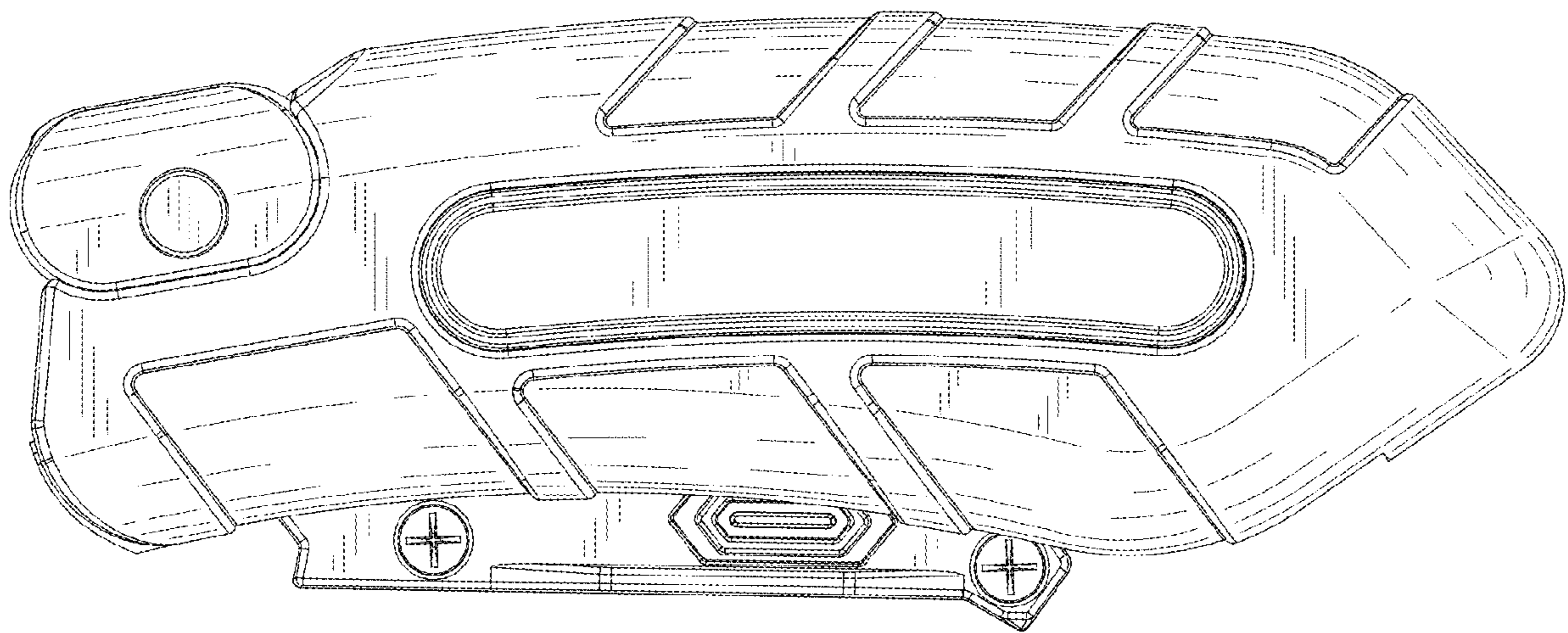


FIG. 1

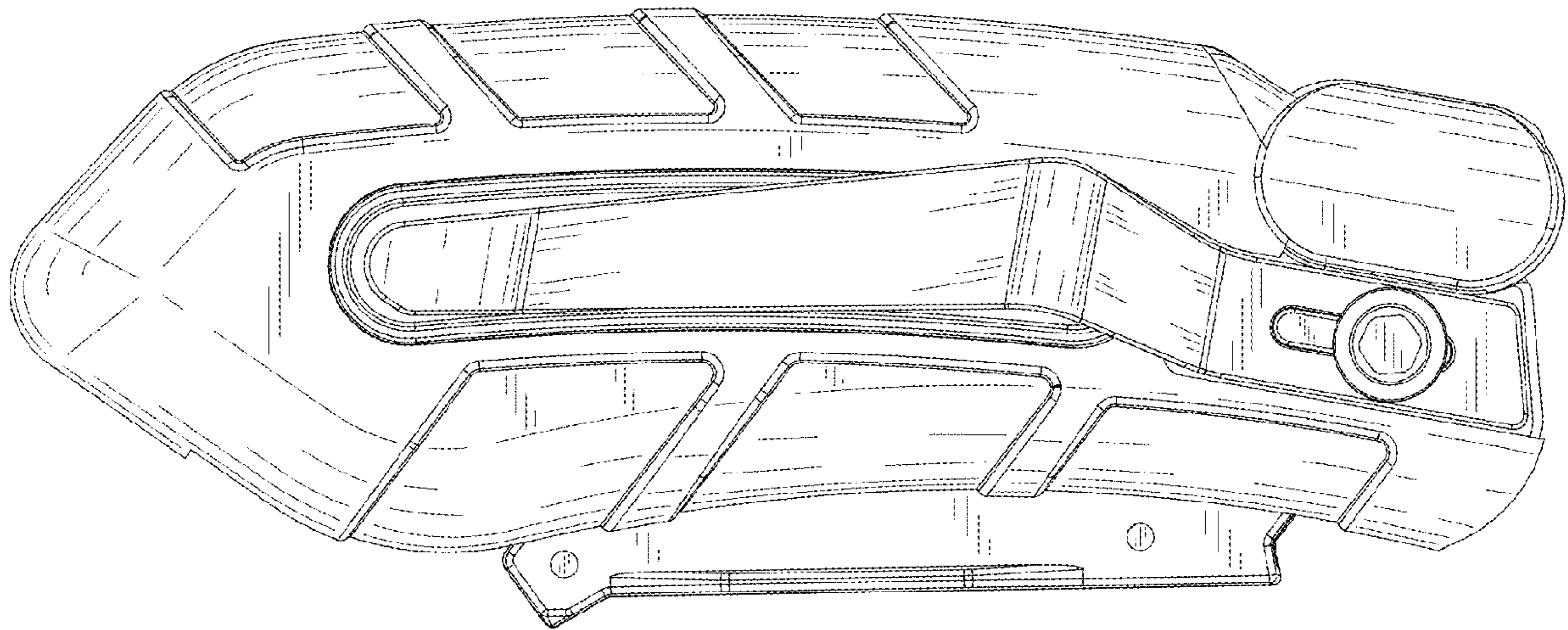


FIG. 2

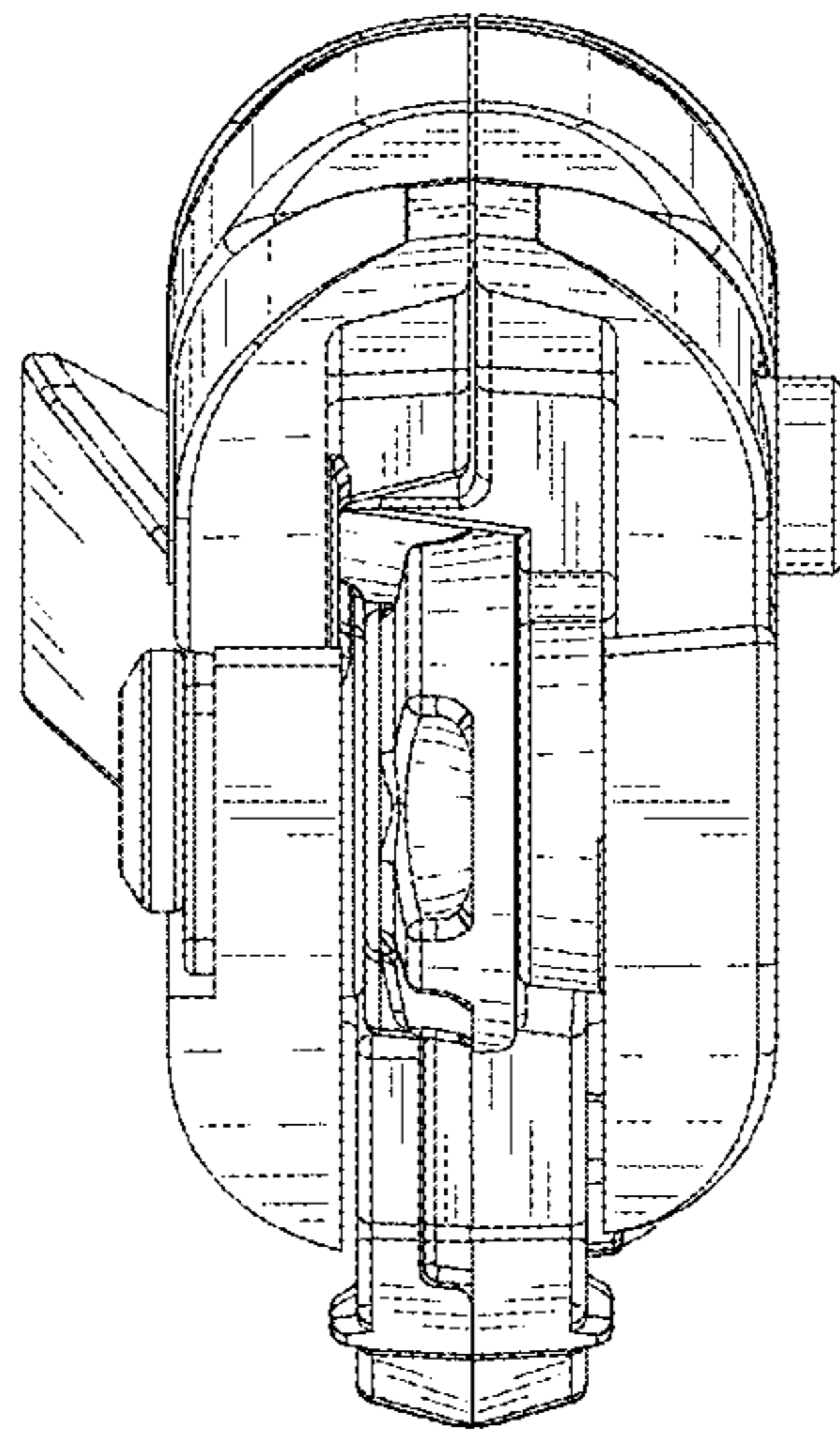


FIG. 3

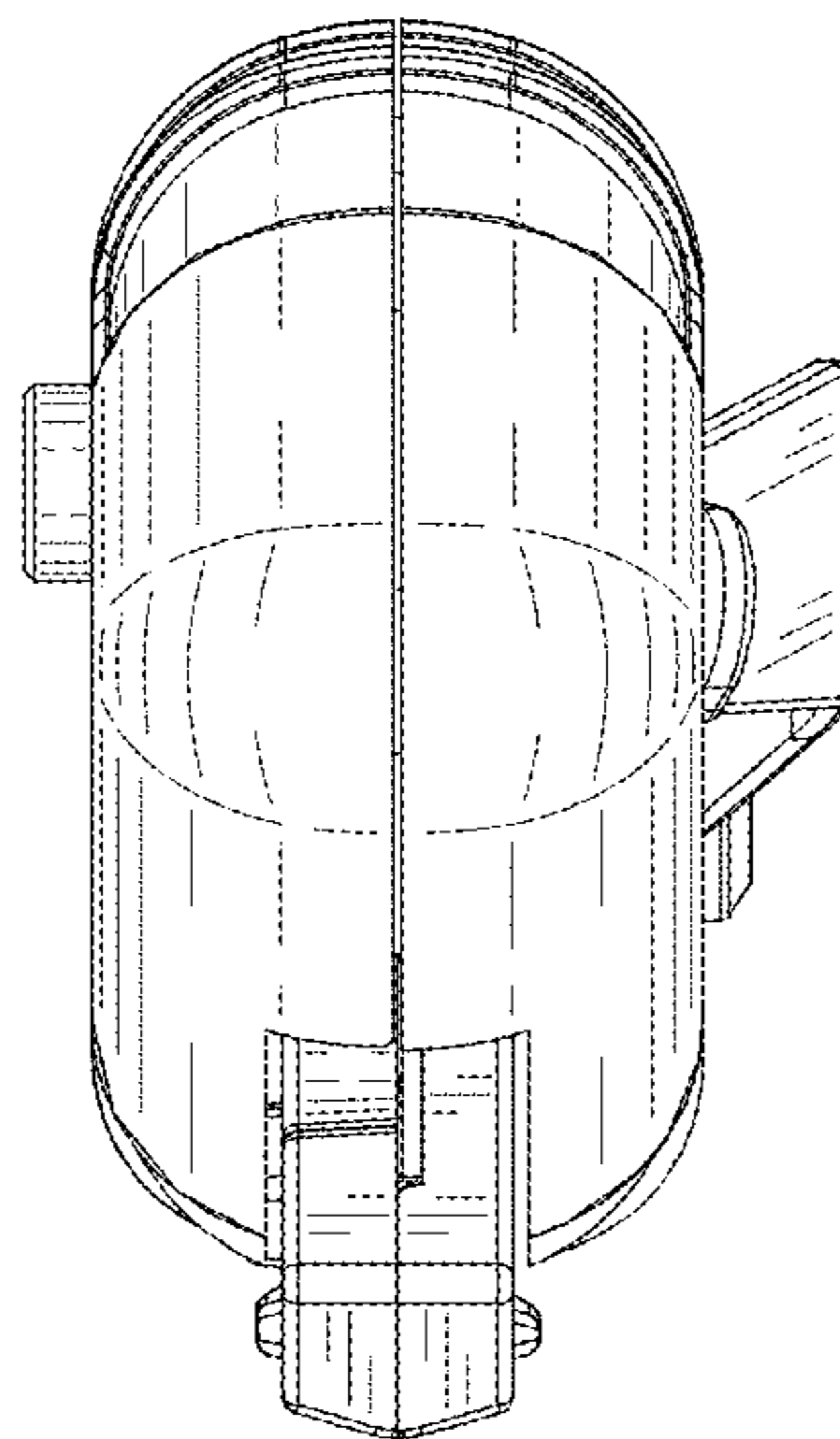


FIG. 4

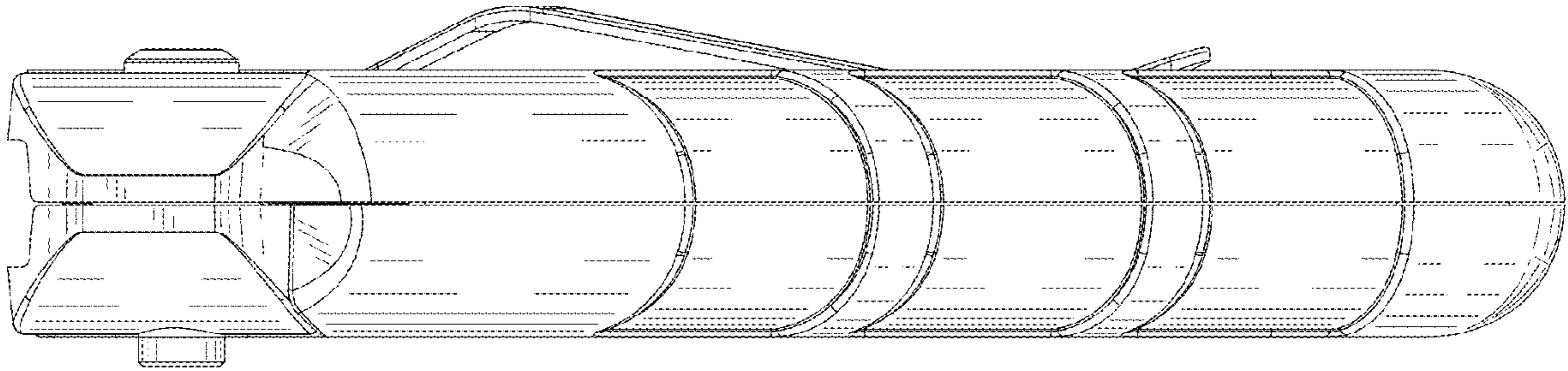


FIG. 5

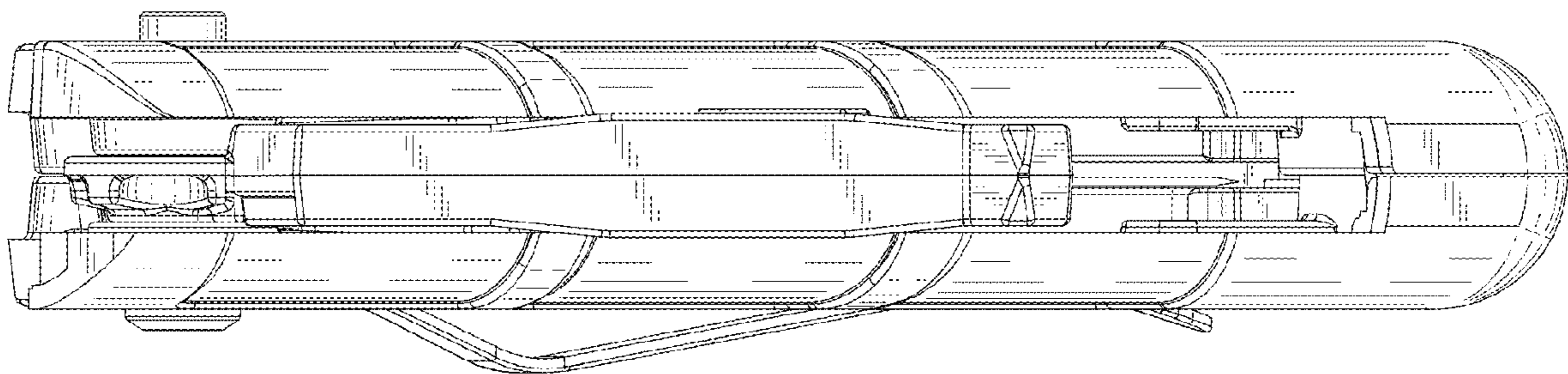


FIG. 6

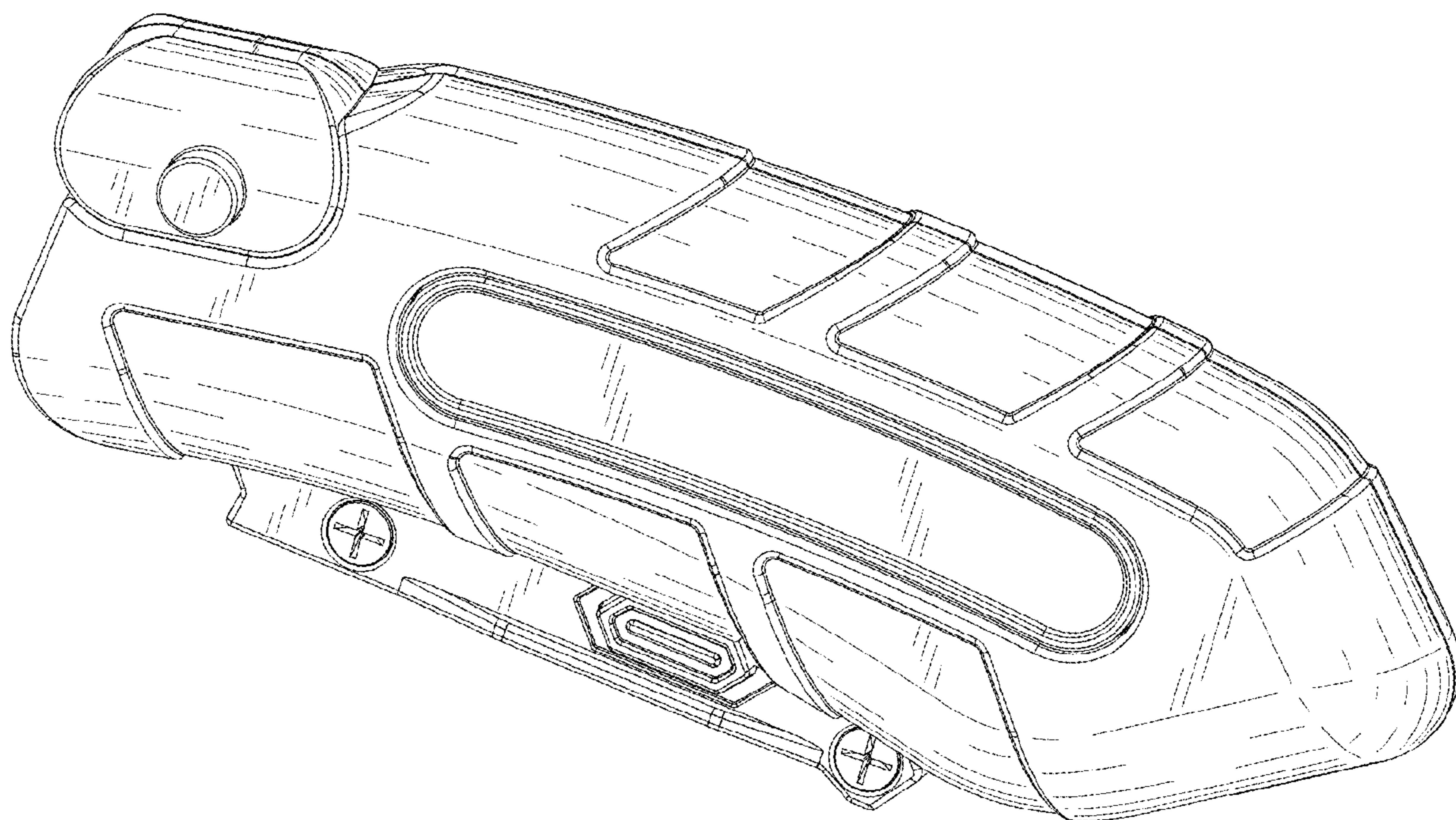


FIG. 7

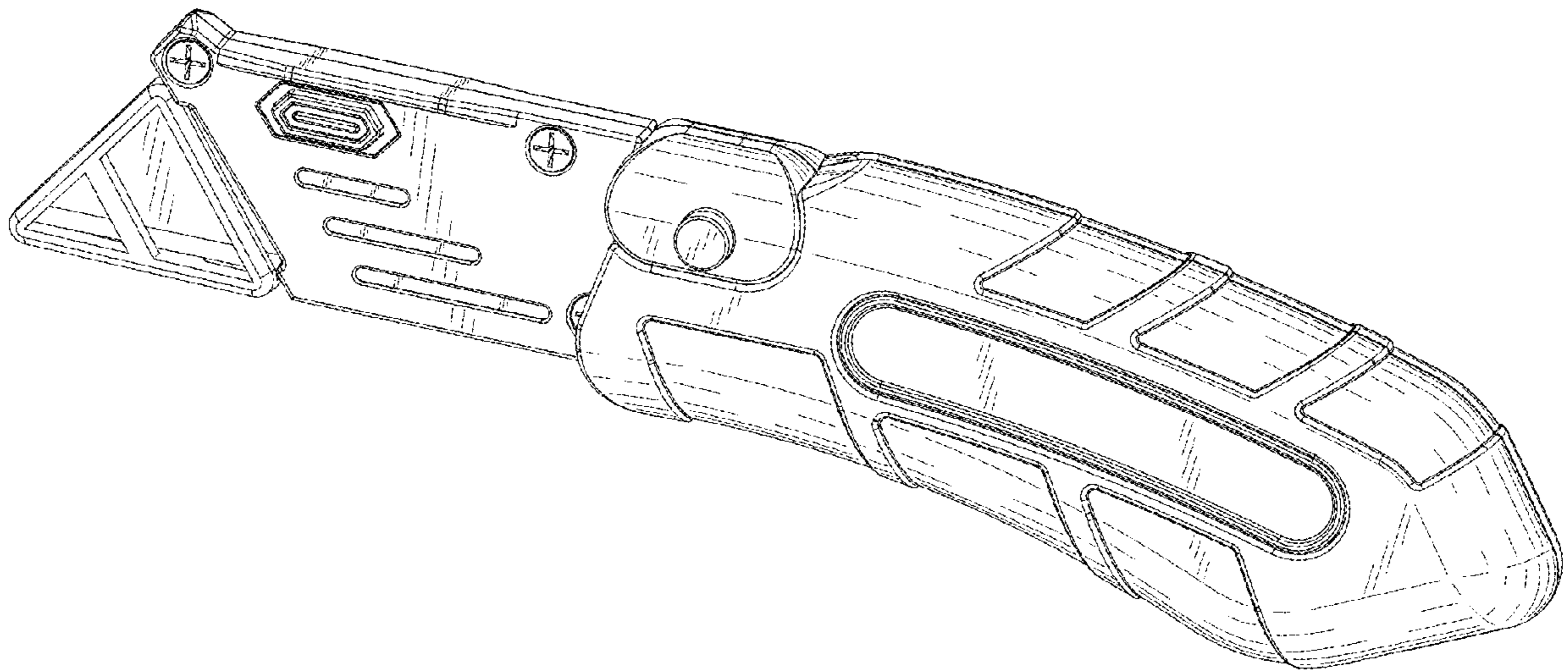


FIG. 8

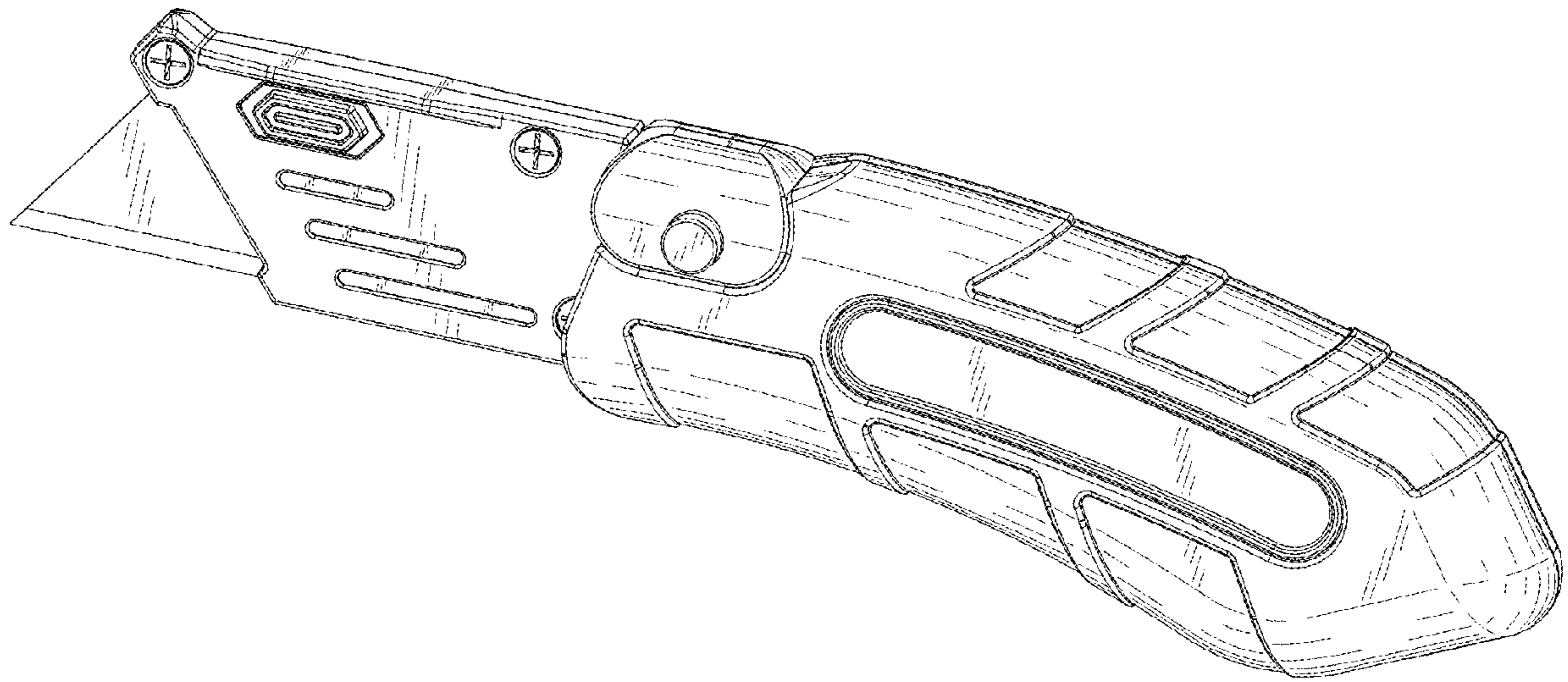


FIG. 9