



US00D897807S

(12) **United States Design Patent** (10) **Patent No.:** **US D897,807 S**
Marinovich et al. (45) **Date of Patent:** **** Oct. 6, 2020**

- (54) **EMBEDDED BLADE CUTTER**
- (71) Applicant: **Pacific Handy Cutter, Inc.**, Irvine, CA (US)
- (72) Inventors: **Mark Marinovich**, Rancho Santa Fe, CA (US); **Kody Numedahl**, Orange, CA (US); **Joseph P. Garavaglia**, Newport Beach, CA (US)
- (73) Assignee: **PACIFIC HANDY CUTTER, INC.**, Irvine, CA (US)
- (**) Term: **15 Years**
- (21) Appl. No.: **29/695,228**
- (22) Filed: **Jun. 17, 2019**

Related U.S. Application Data

- (63) Continuation-in-part of application No. 29/600,319, filed on Apr. 11, 2017, now Pat. No. Des. 867,097.
- (51) **LOC (12) Cl.** **08-03**
- (52) **U.S. Cl.**
USPC **D8/98**
- (58) **Field of Classification Search**
USPC D8/14, 51, 98, 99
CPC .. B26B 1/08; B26B 5/003; B26B 3/00; B26B 3/08; B26B 27/05; B26B 27/00
See application file for complete search history.

References Cited

U.S. PATENT DOCUMENTS

- D323,967 S * 2/1992 Talbot D8/98
D714,611 S * 10/2014 Yu Chen D8/98
D721,564 S * 1/2015 Purnomohadi D8/98

- D784,107 S * 4/2017 Chen D8/98
D801,148 S * 10/2017 Yu Chen D8/98
D802,394 S * 11/2017 Yu Chen D8/98
D817,142 S * 5/2018 Rohrbach D8/98
D817,143 S * 5/2018 Rohrbach D8/98
D863,924 S * 10/2019 Nguyen D8/98
D867,847 S * 11/2019 Marinovich D8/98
2014/0345146 A1 * 11/2014 Schekalla B26B 3/08
30/169
2015/0298330 A1 * 10/2015 Yu Chen B26B 27/005
30/280
2017/0197320 A1 * 7/2017 Chen B26B 11/006
2018/0085932 A1 * 3/2018 Yu Chen B26B 11/006
2019/0047167 A1 * 2/2019 Huang B26B 27/005
2019/0229380 A1 * 7/2019 Son H01M 4/386

* cited by examiner

Primary Examiner — Philip S Hyder

(74) *Attorney, Agent, or Firm* — Leech Tishman Fuscaldo & Lampl; Peter L. Holmes

(57) **CLAIM**

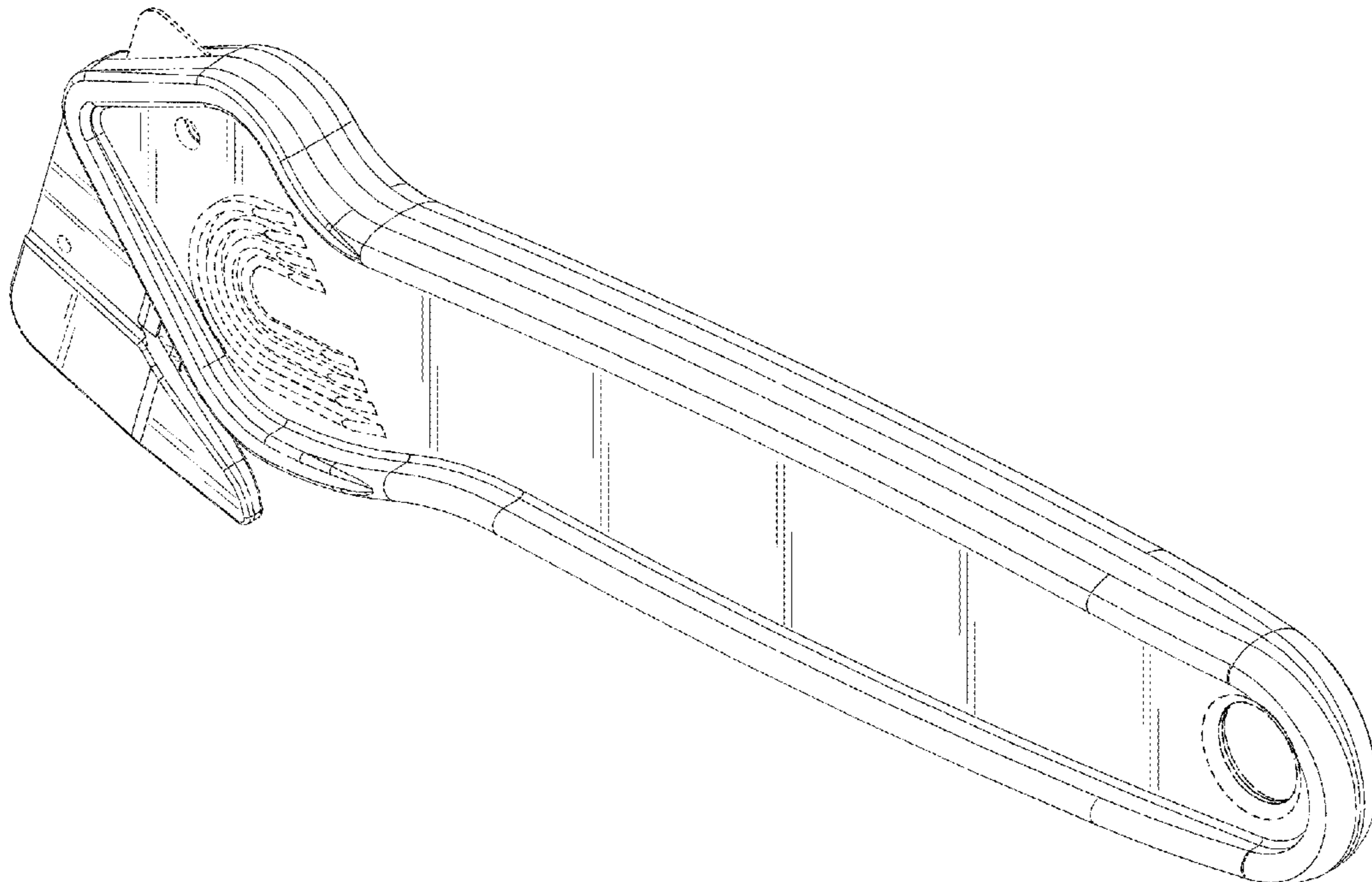
The ornamental design for an embedded blade cutter, as shown and described.

DESCRIPTION

FIG. 1 is a left side perspective view of an embedded blade cutter (article) showing my/our new design;
FIG. 2 is a right side perspective view thereof;
FIG. 3 is a left side view thereof; and,
FIG. 4 is a right side view thereof.

The broken lines immediately adjacent the shaded(/claimed) areas represent the bounds of the claimed design while all other broken lines are included for purposes of illustrating portions of the embedded blade cutter article embodying the design; the broken lines form no part of the claimed design.

1 Claim, 3 Drawing Sheets



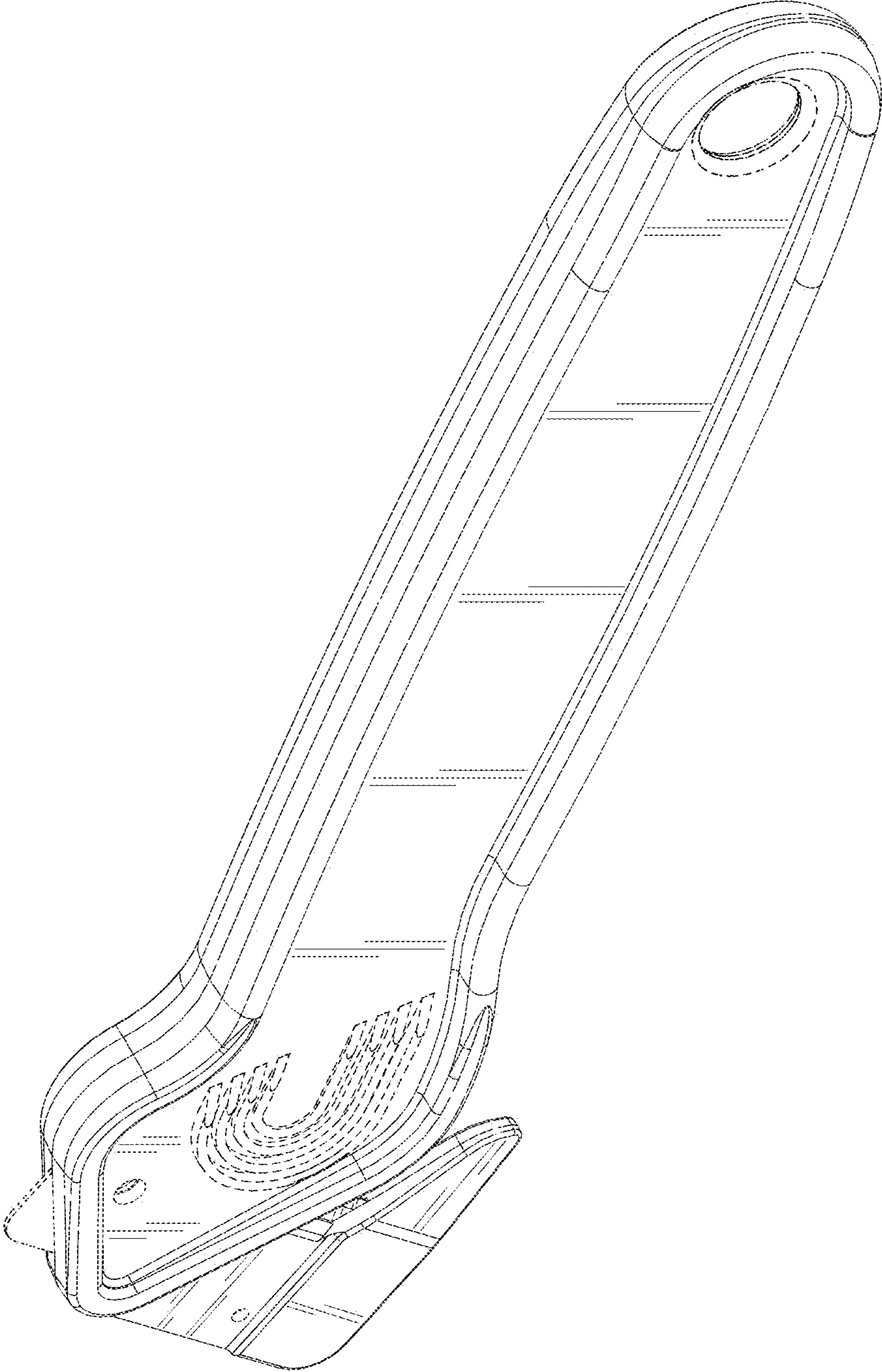


FIG. 1

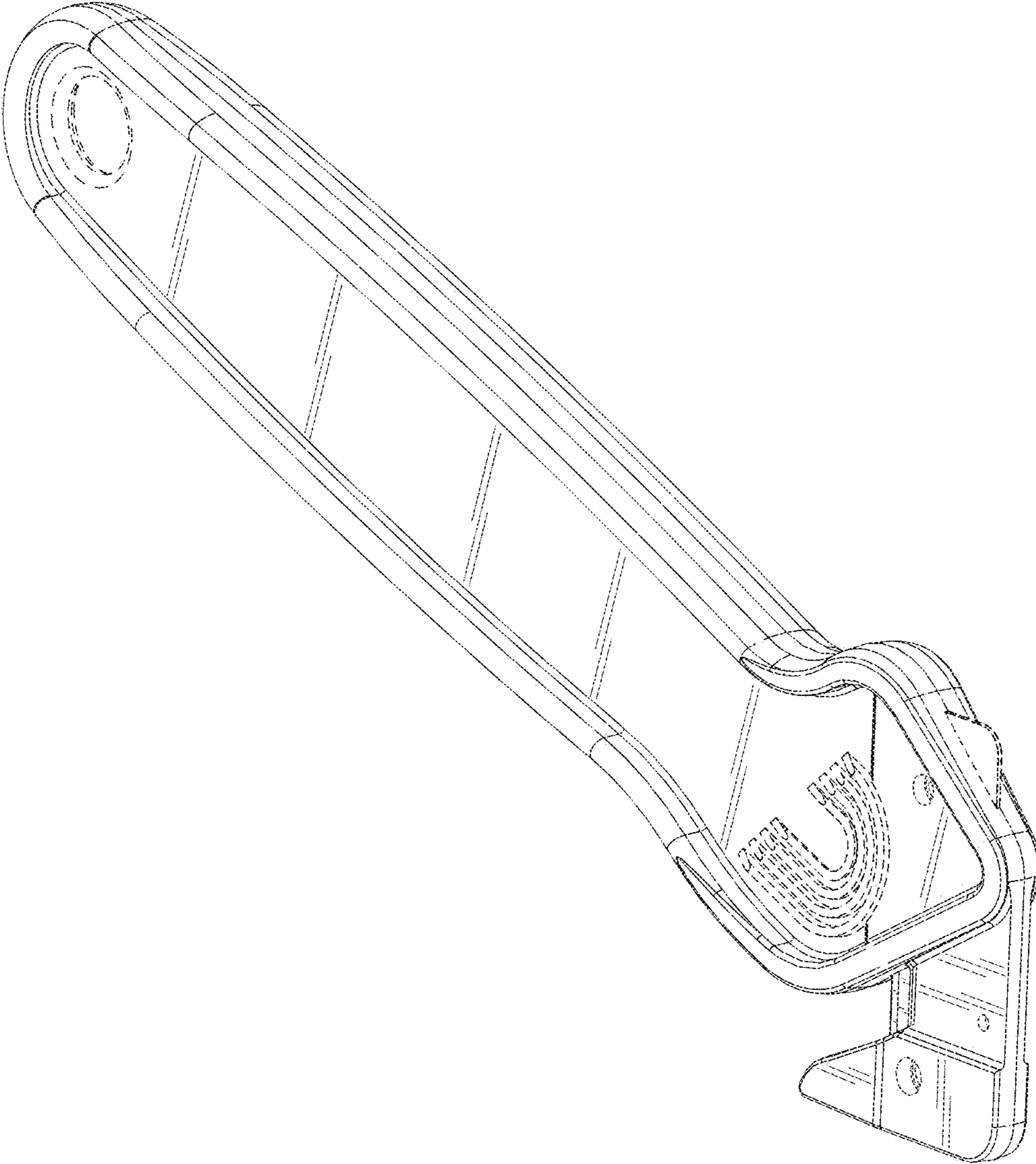


FIG. 2

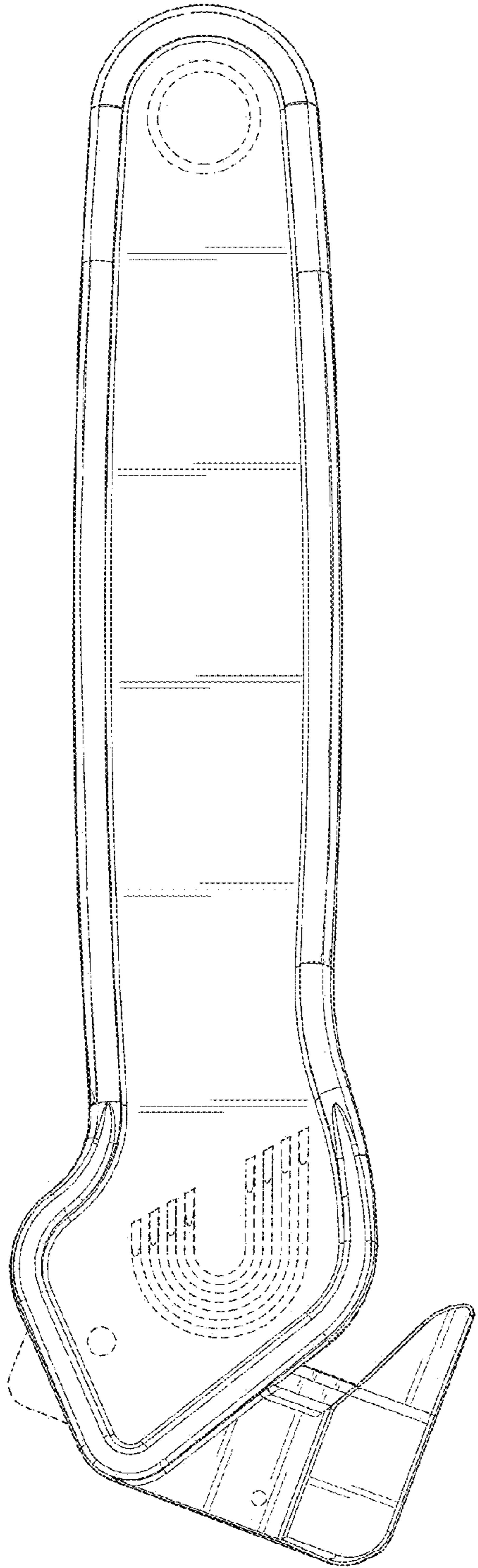


FIG. 3

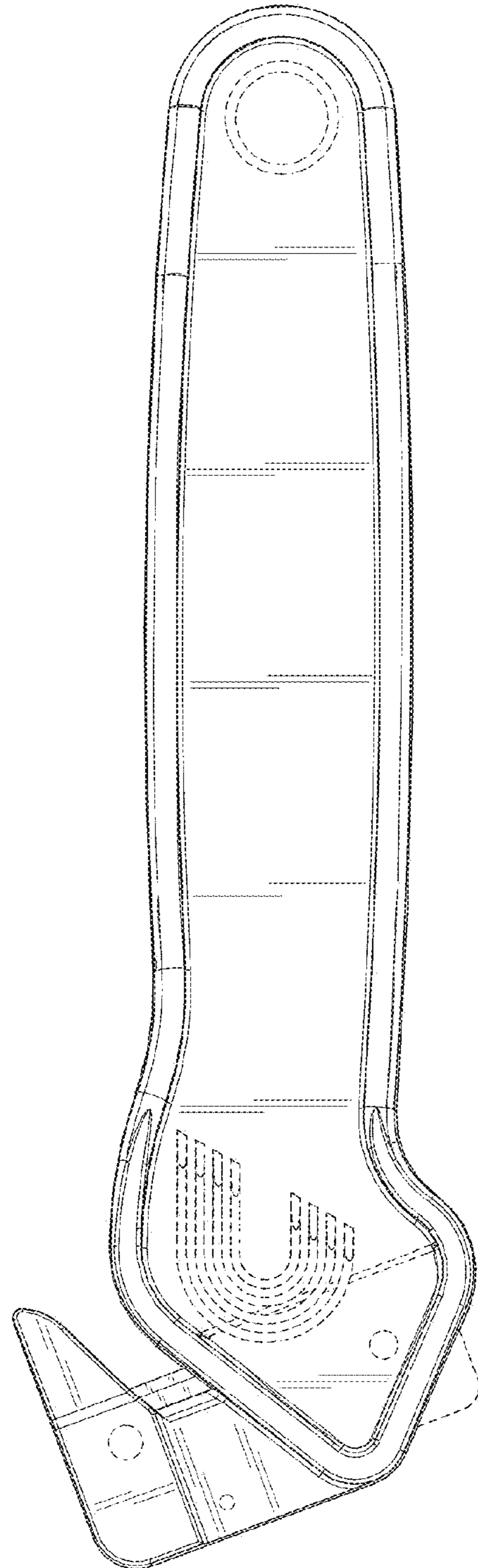


FIG. 4