



US00D897806S

(12) **United States Design Patent**
Norton

(10) **Patent No.:** **US D897,806 S**
(45) **Date of Patent:** **** Oct. 6, 2020**

(54) **DRIVER**

(71) Applicant: **William Norton**, West Pittston, PA (US)

(72) Inventor: **William Norton**, West Pittston, PA (US)

(**) Term: **15 Years**

(21) Appl. No.: **29/645,792**

(22) Filed: **Apr. 30, 2018**

(51) **LOC (12) Cl.** **08-04**

(52) **U.S. Cl.**
USPC **D8/86**

(58) **Field of Classification Search**
USPC D8/384, 385, 387, 388, 391, 393, 70, 82, D8/85, 86
CPC .. F16B 23/00; F16B 23/0007; F16B 23/0023; F16B 23/0015; F16B 23/003; F16B 23/0038; F16B 23/0046; F16B 23/0061; F16B 23/0069; F16B 25/00; F16B 25/0052; F16B 25/0015; F16B 25/0026; F16B 25/0031; F16B 25/0036; F16B 25/0078; F16B 25/0068; F16B 25/0057; F16B 25/0063; F16B 25/0084; F16B 25/10; F16B 33/00; F16B 33/02; F16B 33/002; F16B 33/006; F16B 35/005; F16B 35/04; F16B 35/06; F16B 35/041; F16B 35/042; F16B 35/044; F16B 35/047; Y10S 411/91; Y10S 411/914; Y10S 411/919; B25B 15/00; B25B 15/001; B25B 15/002; B25B 15/004; B25B 15/005; B25B 15/007; B25B 15/008; B25B 23/108; B23G 9/002

See application file for complete search history.

2,046,840 A * 7/1936 Phillips B25B 15/005 81/460

2,182,568 A * 12/1939 Olson B25B 15/005 411/404

2,258,326 A * 10/1941 Holt F16B 23/0007 411/404

2,417,225 A * 3/1947 West B25B 15/02 81/450

2,431,628 A 11/1947 Waarich

2,474,994 A 7/1949 Tomalis

2,684,094 A 7/1954 Lissy

2,800,936 A * 7/1957 West B25B 15/005 81/460

2,848,024 A * 8/1958 Smith B25B 15/005 81/460

3,037,539 A * 6/1962 Johnson B25B 15/005 81/460

3,122,963 A * 3/1964 Borgeson F16B 23/0007 411/404

(Continued)

OTHER PUBLICATIONS

Young, Lee W.; PCT International Search Report and Written Opinion regarding International Application No. PCT/US2018/28096; dated Aug. 28, 2018.

Primary Examiner — Sandra Snapp
Assistant Examiner — Ieisha N Price
(74) *Attorney, Agent, or Firm* — Ballard Spahr LLP

(57) **CLAIM**

The ornamental design for a driver, as shown and described.

DESCRIPTION

FIG. 1 is an isometric view of a driver, showing my new design;
FIG. 2 is an enlarged right end view thereof;
FIG. 3 is an enlarged left end view thereof; and,
FIG. 4 is a side view thereof.

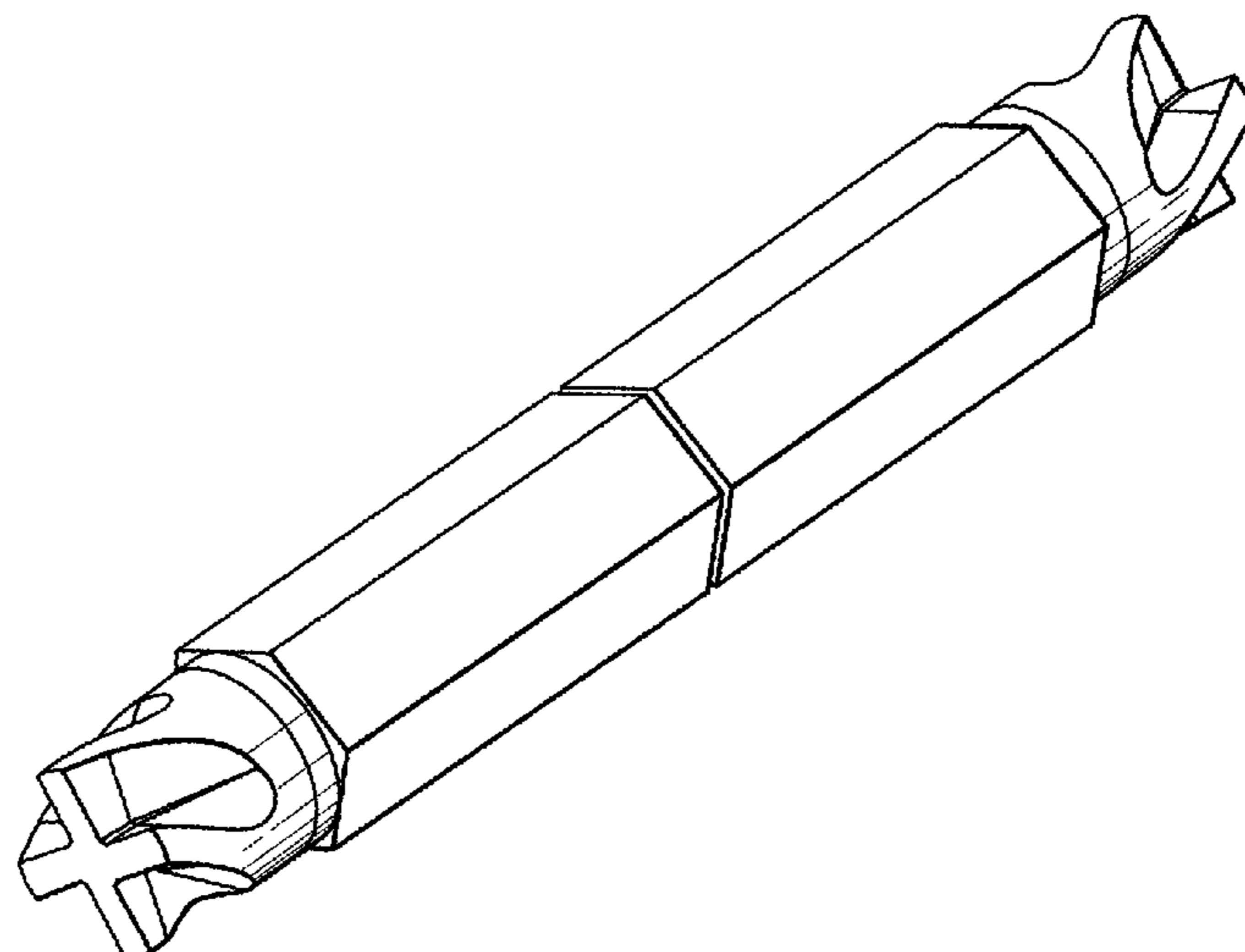
1 Claim, 1 Drawing Sheet

(56) **References Cited**

U.S. PATENT DOCUMENTS

2,046,837 A 7/1936 Phillips

2,046,838 A * 7/1936 Phillips F16B 23/0023 81/460



(56)

References Cited

U.S. PATENT DOCUMENTS

3,224,479	A *	12/1965	Osborn	B25B 23/106	81/443	6,520,055	B1 *	2/2003	Reusch	B25B 15/005	81/436
3,269,250	A *	8/1966	Curtiss	F16B 23/0023	411/410	7,000,501	B1	2/2006	Chen			
3,654,974	A *	4/1972	Barnes	B25B 15/005	81/460	7,073,416	B2	7/2006	Kozak et al.			
3,658,105	A *	4/1972	Burt	B25B 15/005	81/460	7,311,026	B2	12/2007	Melton			
3,825,048	A	7/1974	Triska				D714,122	S *	9/2014	Lin	D8/86	
3,872,904	A *	3/1975	Barlow	B25B 15/005	81/460	D821,842	S *	7/2018	Hsu	D8/86	
4,089,357	A	5/1978	Gill				D862,190	S *	10/2019	Taylor	D8/70	
4,130,152	A	12/1978	Bolen				2004/0000218	A1	1/2004	Bergamo			
4,187,892	A	2/1980	Simmons				2004/0007095	A1 *	1/2004	Meng	B23B 51/10	81/53.2
4,270,418	A *	6/1981	Shephard	B25B 13/02	81/441	2005/0268757	A1 *	12/2005	Walker	B25B 15/005	81/460
4,339,971	A	7/1982	Zatorre				2007/0193419	A1	8/2007	Melton			
4,355,552	A	10/1982	Gutshall				2008/0092699	A1 *	4/2008	Surowiecki	B25B 15/005	81/460
4,430,035	A	2/1984	Rodseth				2009/0293653	A1 *	12/2009	Satou	B25B 21/00	74/34
4,572,039	A	2/1986	Desjardins				2011/0252922	A1	10/2011	Whitehead			
4,625,598	A	12/1986	Wolfram				2011/0252925	A1 *	10/2011	Whitehead	B25B 15/005	81/53.2
4,936,172	A	6/1990	Jackson				2012/0192685	A1	8/2012	Dilling			
D311,483	S *	10/1990	Espin	D15/139		2012/0228172	A1 *	9/2012	Yang	B25H 3/003	206/372
D312,034	S *	11/1990	Espin	D15/139		2014/0216214	A1	8/2014	Lin			
4,970,922	A	11/1990	Krivec				2015/0158152	A1 *	6/2015	Chang	B25B 13/06	81/180.1
5,145,302	A *	9/1992	Harley	B29C 33/0033	411/404	2015/0335368	A1 *	11/2015	Auger	A61B 17/8615	606/319
5,353,667	A	10/1994	Wilner				2016/0199967	A1 *	7/2016	Stahl	A61B 17/8615	81/460
5,438,895	A	8/1995	Bassell et al.				2016/0332285	A1	11/2016	Chen			
D431,768	S *	10/2000	Feik	D8/70		2017/0108026	A1 *	4/2017	Yang	F16B 25/103	
6,352,011	B1	3/2002	Fruhm				2018/0119720	A1 *	5/2018	Greenberg	B25B 15/005	
6,378,406	B1 *	4/2002	Totsu	B25B 15/005	411/404	2018/0266473	A1 *	9/2018	Campbell	B25B 15/001	
6,402,449	B1	6/2002	Lin				2018/0306230	A1 *	10/2018	Norton	B21K 1/463	
D462,596	S *	9/2002	Fruhm	D8/86		2019/0380514	A1 *	12/2019	Kaplan	A47G 1/20	

* cited by examiner

FIG. 1

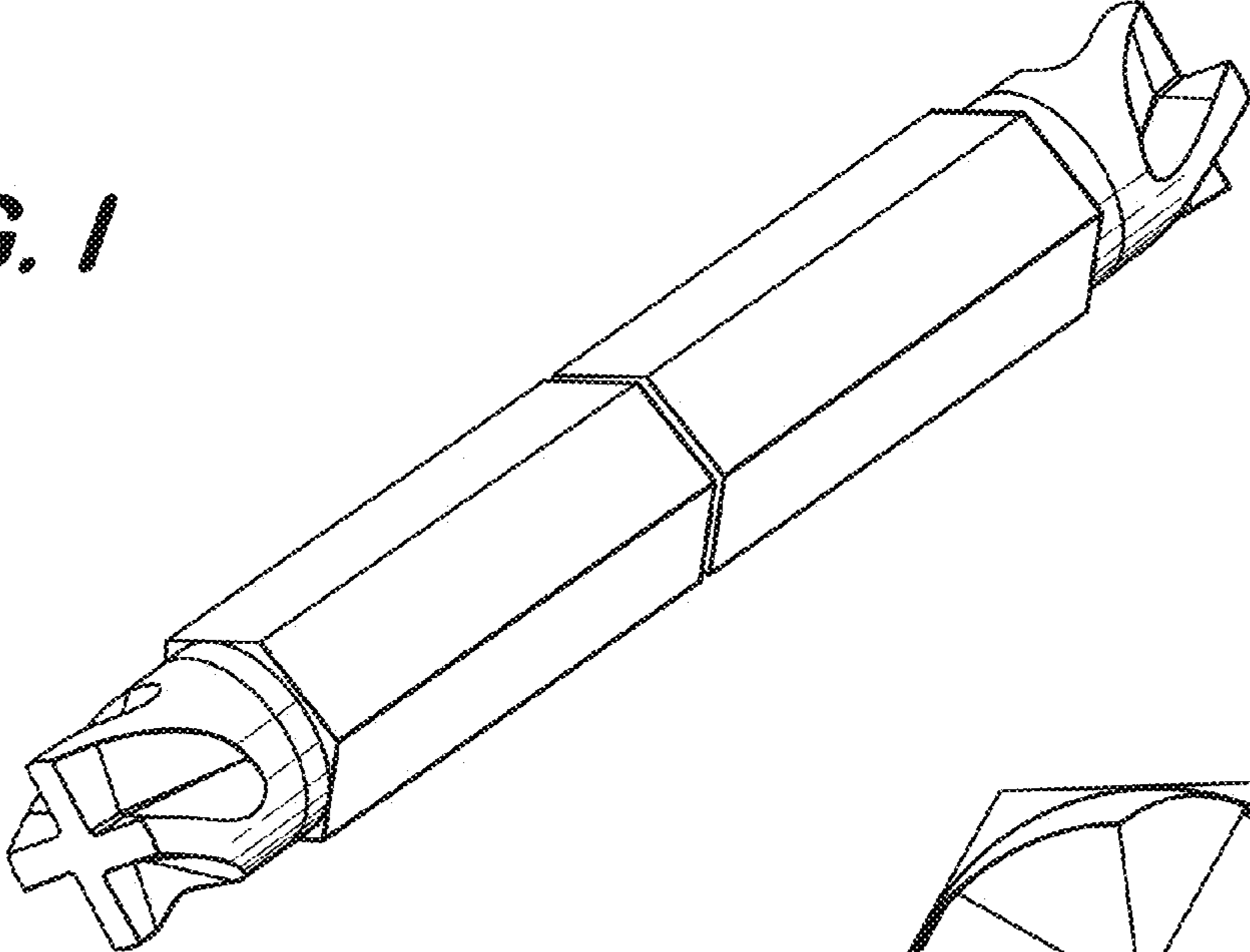


FIG. 3

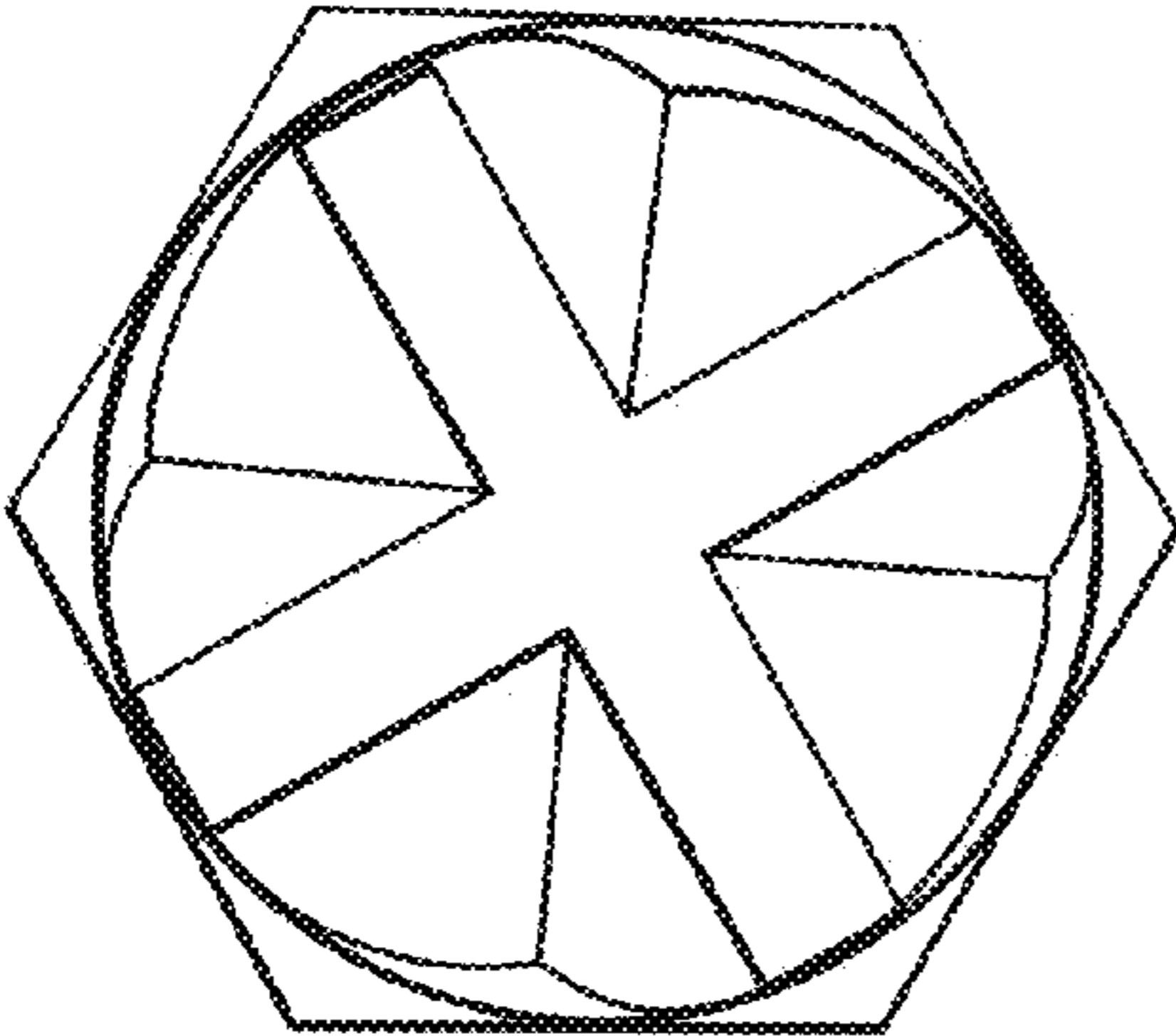


FIG. 2

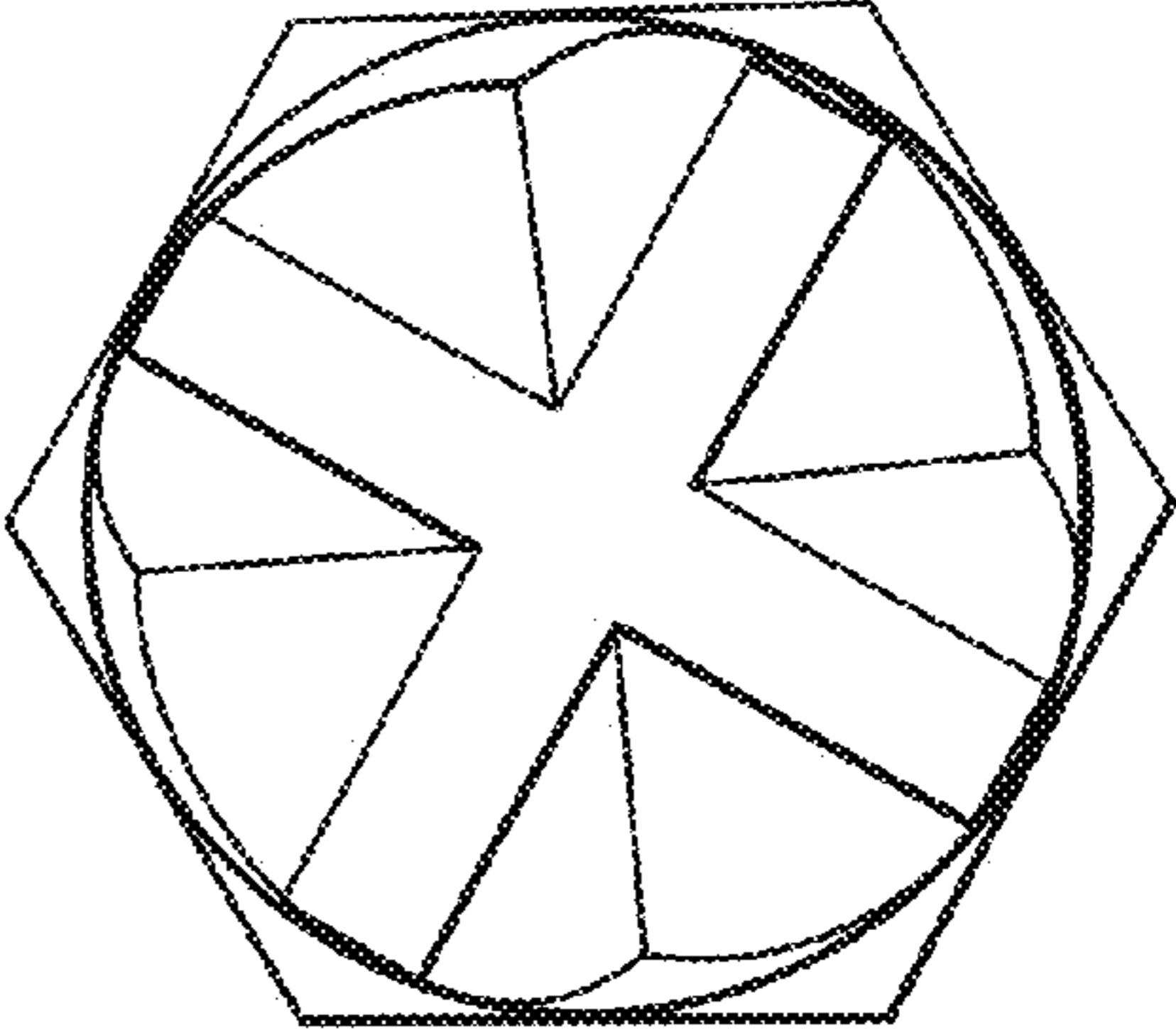


FIG. 4

