



US00D897805S

(12) **United States Design Patent** (10) **Patent No.:** **US D897,805 S**
Cate (45) **Date of Patent:** **** Oct. 6, 2020**

(54) **HAMMER HANDLE**

D867,090 S * 11/2019 Hyma D8/75
D868,558 S * 12/2019 Hyma D8/75

(71) Applicant: **Stanley Black & Decker, Inc.**, New Britain, CT (US)

* cited by examiner

(72) Inventor: **Christopher Cate**, Hamden, CT (US)

Primary Examiner — Philip S Hyder

(74) *Attorney, Agent, or Firm* — Gabriel A. Haboubi

(73) Assignee: **Stanley Black & Decker, Inc.**, New Britain, CT (US)

(57) **CLAIM**

The ornamental design for a hammer handle, as shown and described.

(**) Term: **15 Years**

DESCRIPTION

(21) Appl. No.: **29/675,044**

FIG. 1 is a top perspective view of a hammer with a handle according to a first embodiment of my new design.

(22) Filed: **Dec. 28, 2018**

FIG. 2 is a right side view thereof.

(51) **LOC (12) Cl.** **08-02**

FIG. 3 is a rear view thereof.

(52) **U.S. Cl.**
USPC **D8/80**

FIG. 4 is a front view thereof.

(58) **Field of Classification Search**
USPC D8/75, 76, 77, 78, 79, 80, 81, 107
CPC B26B 23/00; B25F 1/00; B25F 1/006;
A01B 1/20; A62B 3/005; B24D 1/00;
B25G 1/04; B25G 3/28
See application file for complete search history.

FIG. 5 is a top view thereof.

FIG. 6 is a bottom view thereof.

FIG. 7 is a left side view thereof.

FIG. 8 is a right side view thereof showing the handle in isolation.

FIG. 9 is top perspective view of a hammer with a handle according to a second embodiment of my new design.

FIG. 10 is a right side view thereof.

FIG. 11 is a rear view thereof.

FIG. 12 is a front view thereof.

FIG. 13 is a top view thereof.

FIG. 14 is a bottom thereof.

FIG. 15 is a left side view thereof; and,

FIG. 16 is a right side view thereof showing the handle in isolation.

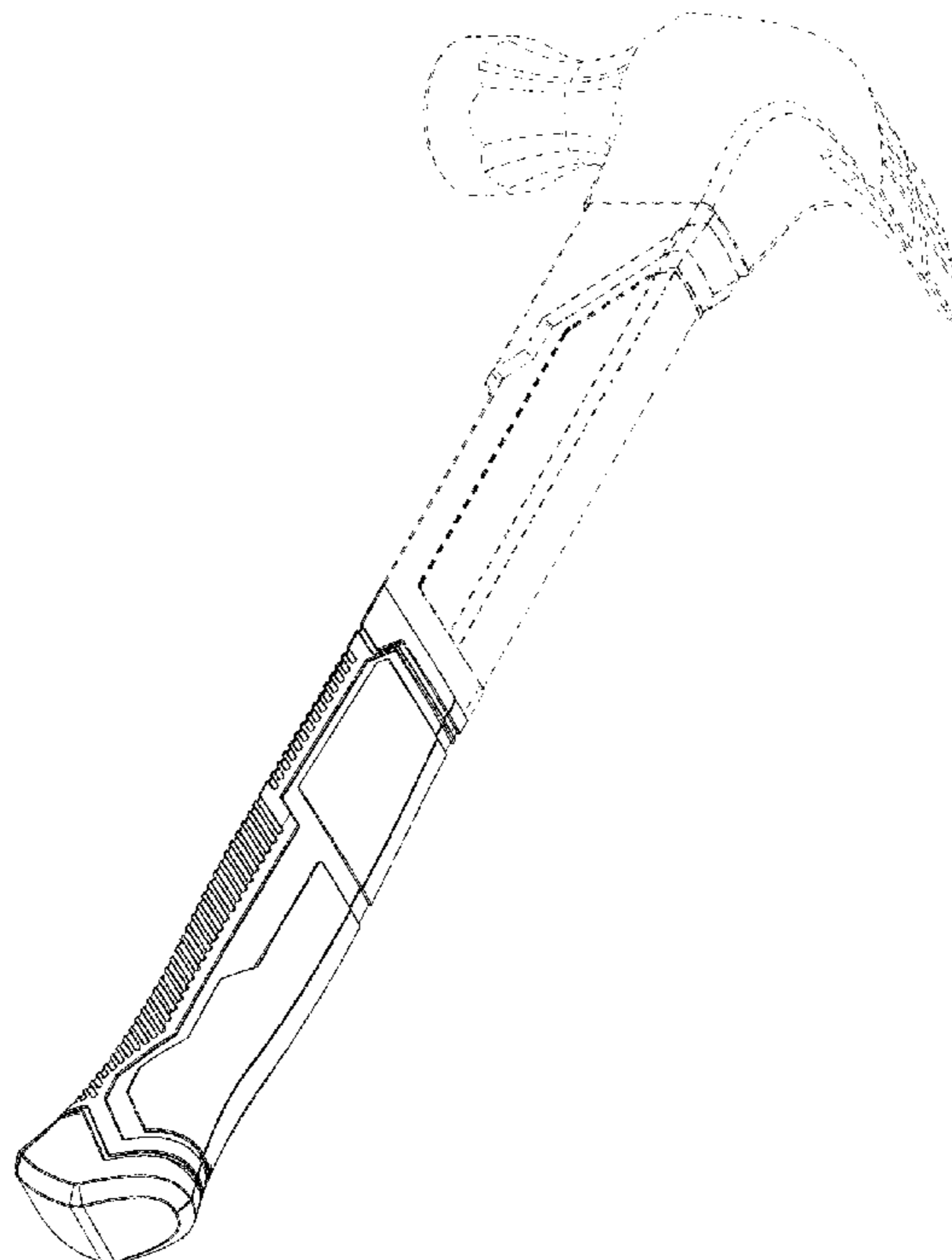
The broken line showings of the hammer heads are provided for purposes of environment and form no part of the claimed design.

(56) **References Cited**

U.S. PATENT DOCUMENTS

D424,903 S *	5/2000	Hreha	D8/107
6,564,849 B1 *	5/2003	Kusner	B25D 1/00 157/1.3
D656,378 S *	3/2012	Islas	D8/80
D660,123 S *	5/2012	Islas	D8/80
D688,110 S *	8/2013	Frenkel	D8/80
9,193,059 B2 *	11/2015	Lombardi	B25G 1/10
D760,054 S *	6/2016	Huttunen	D8/76
D799,295 S *	10/2017	Huttunen	D8/76
D826,024 S *	8/2018	Yu	D8/75

1 Claim, 16 Drawing Sheets



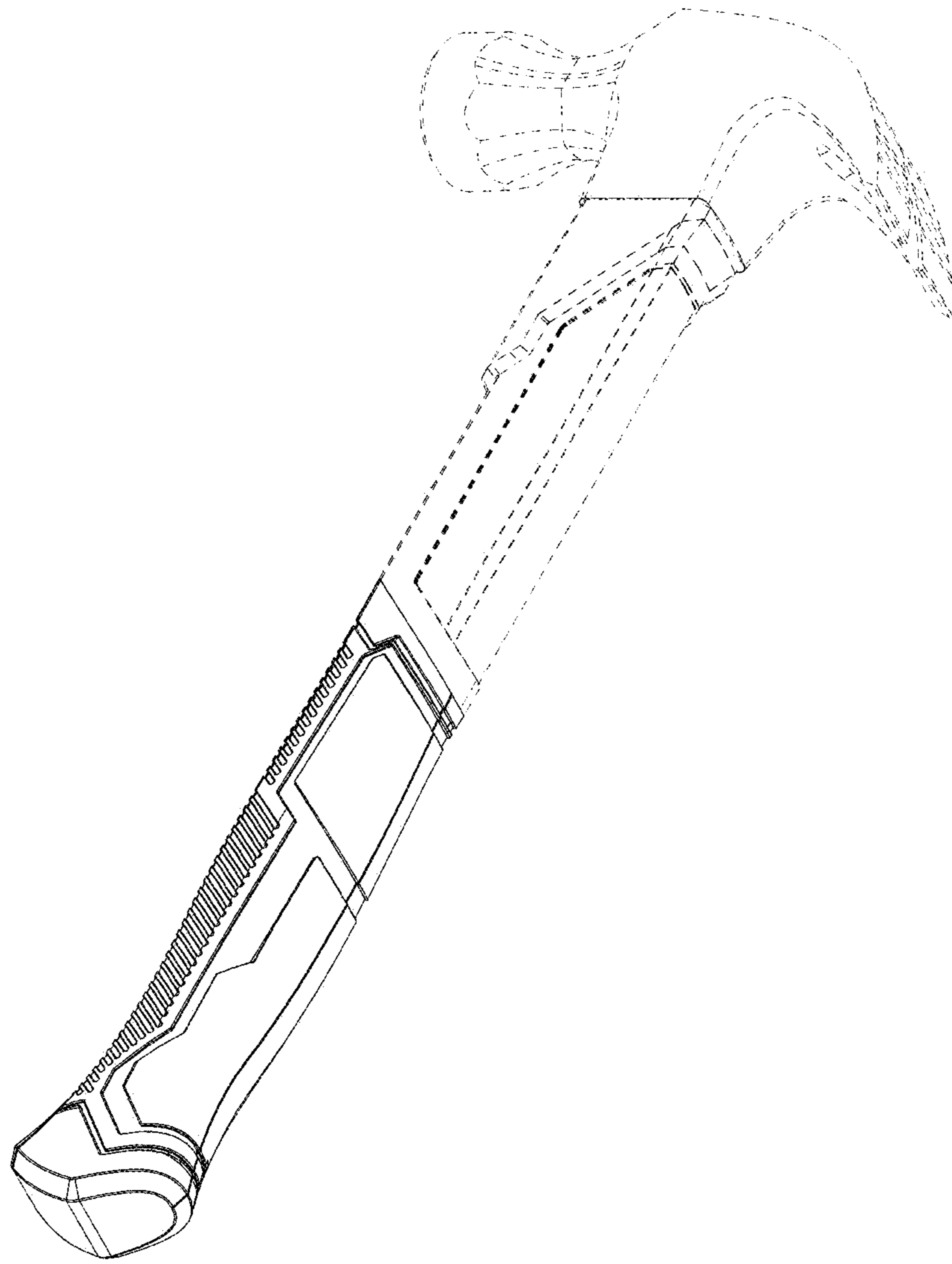


FIG. 1

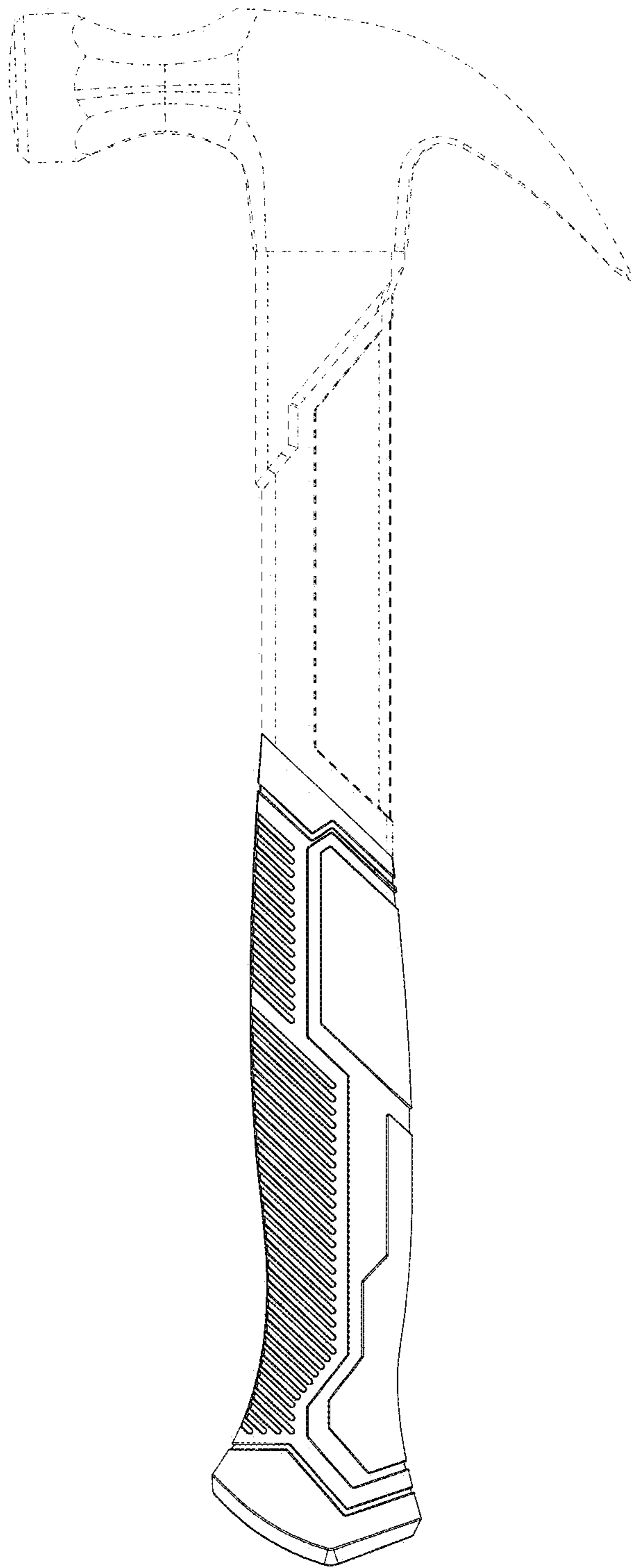


FIG. 2

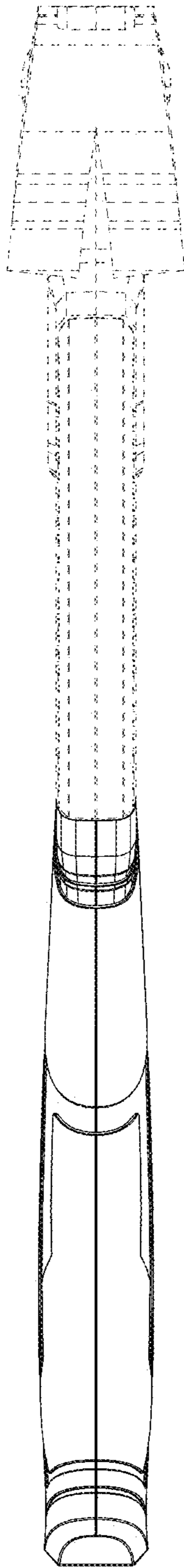


FIG. 3

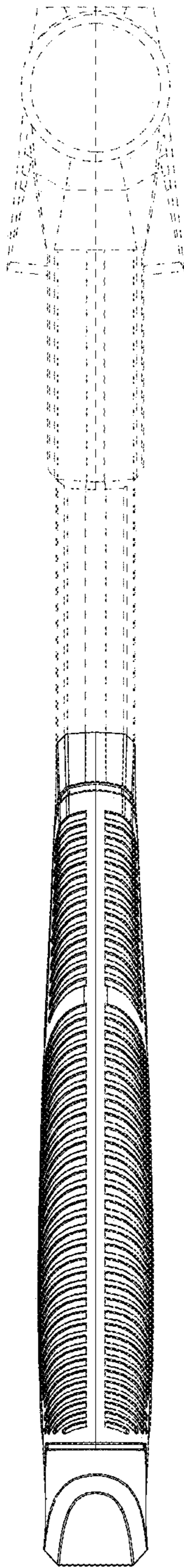


FIG. 4

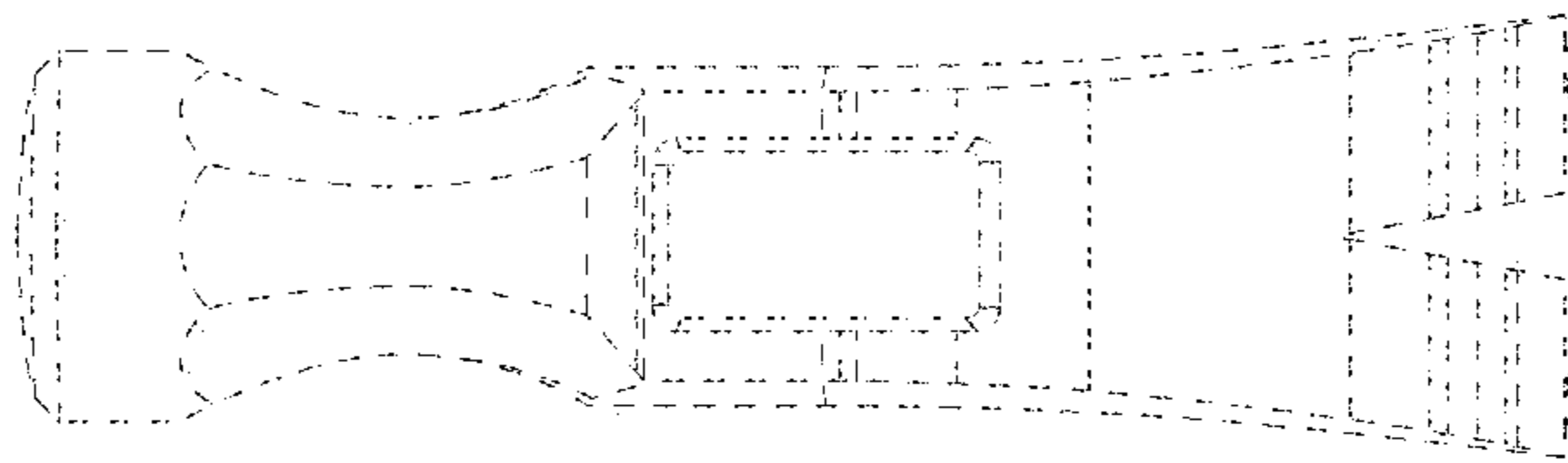


FIG. 5

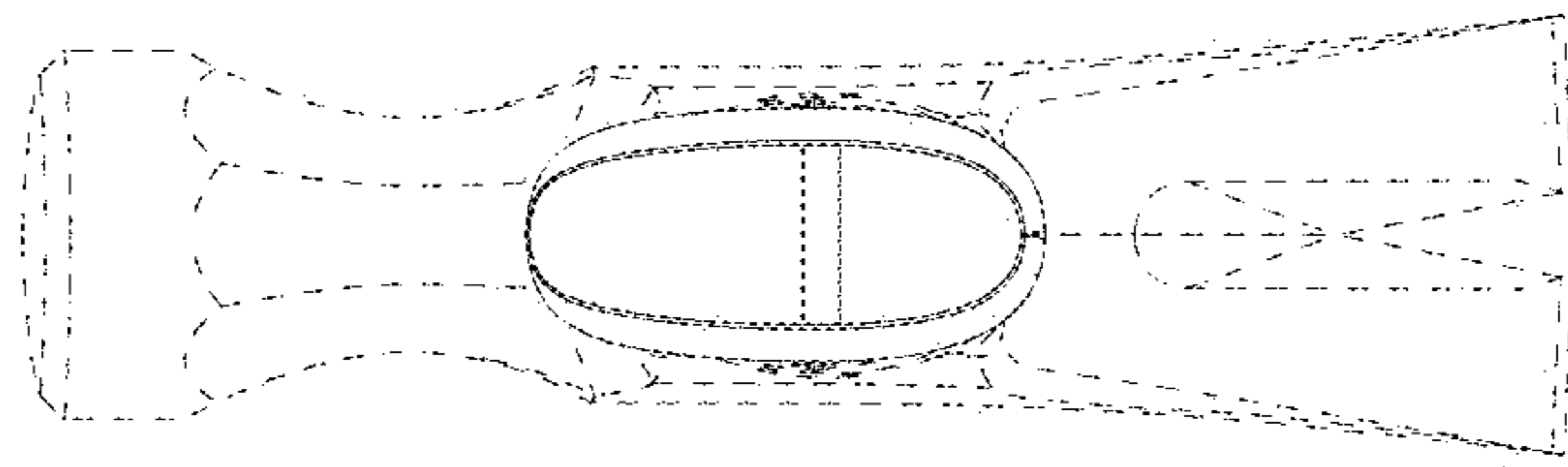


FIG. 6

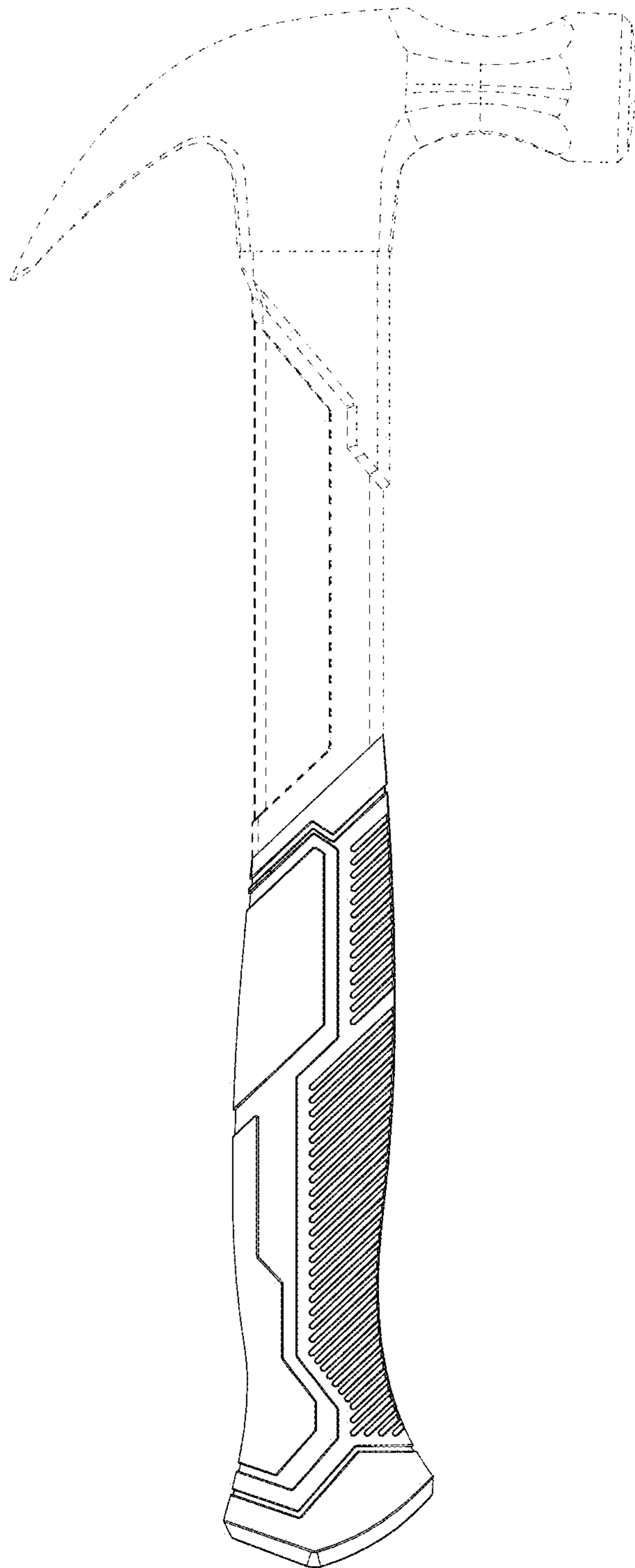


FIG. 7

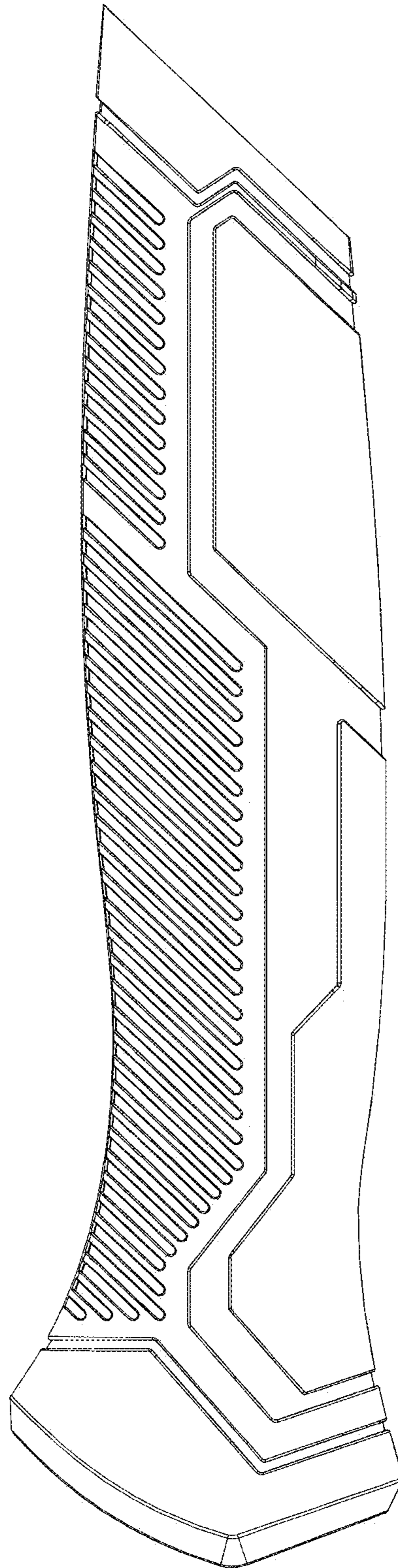


FIG. 8

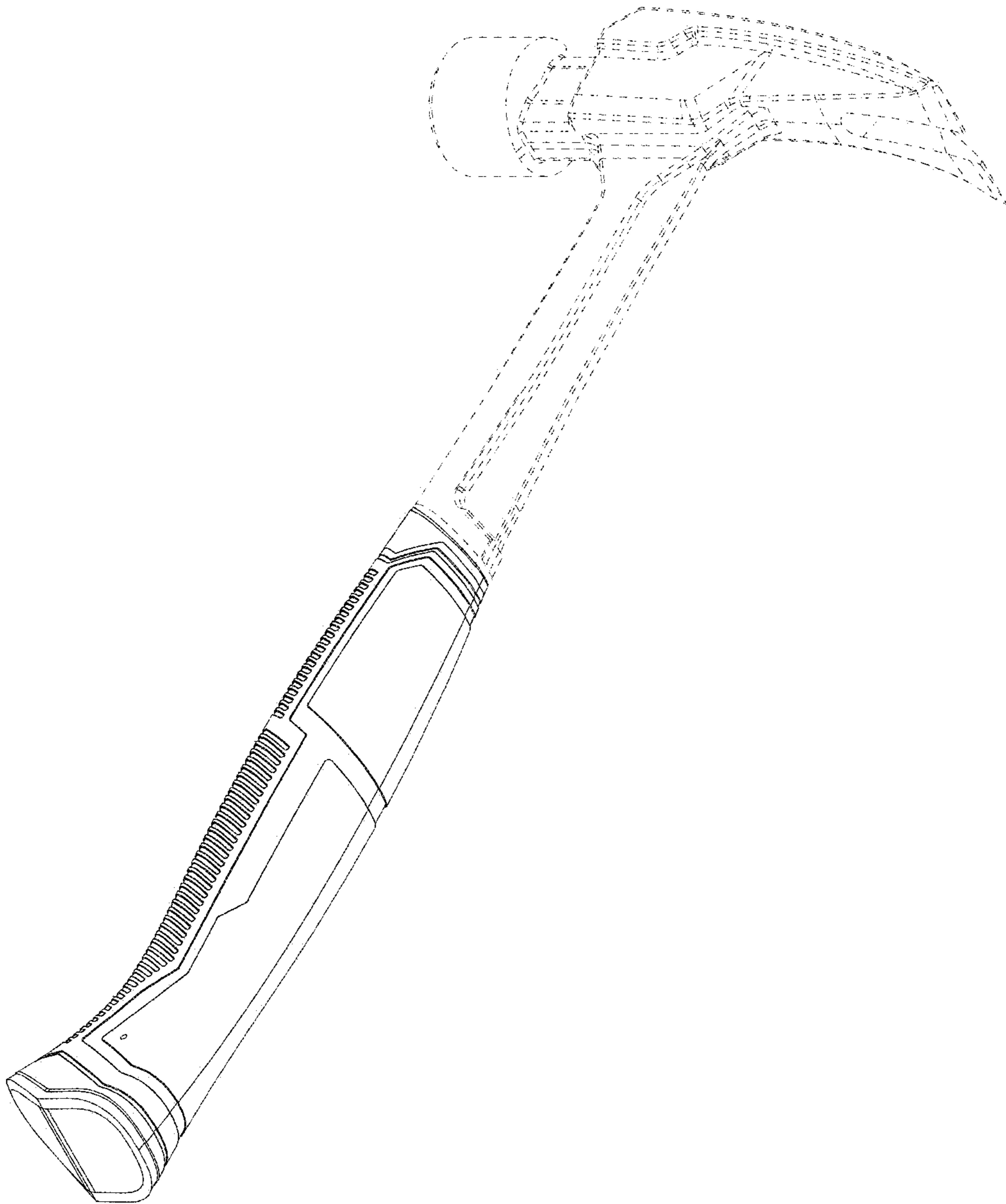


FIG. 9

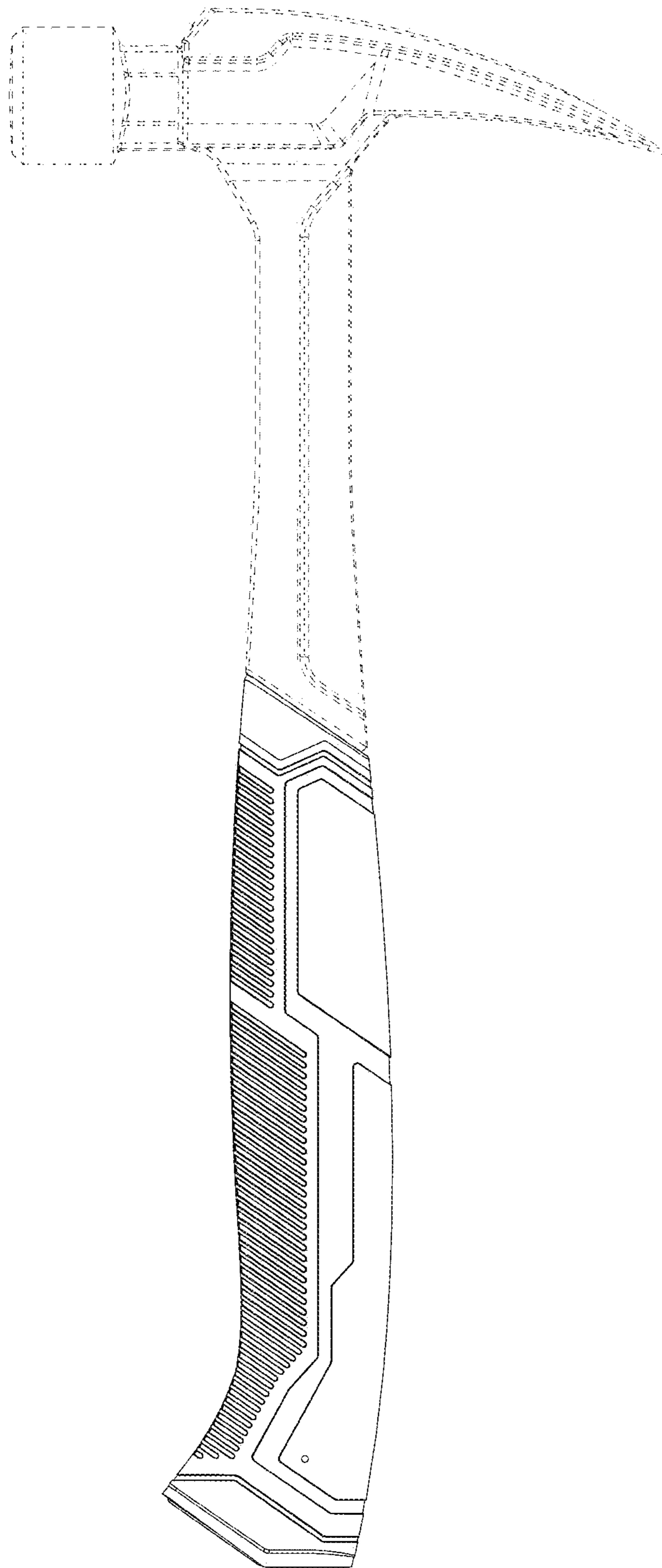


FIG. 10

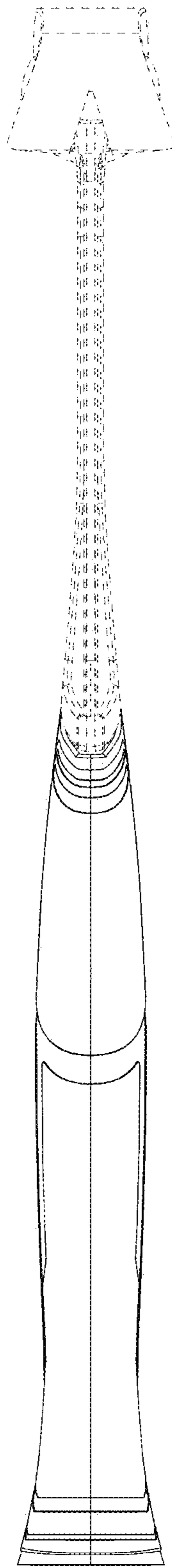


FIG. 11

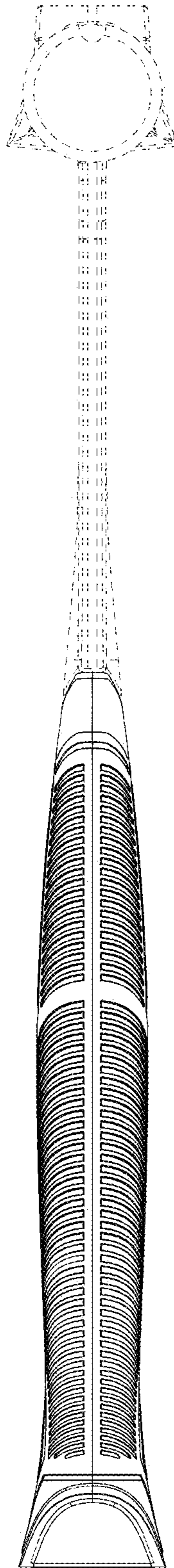


FIG. 12

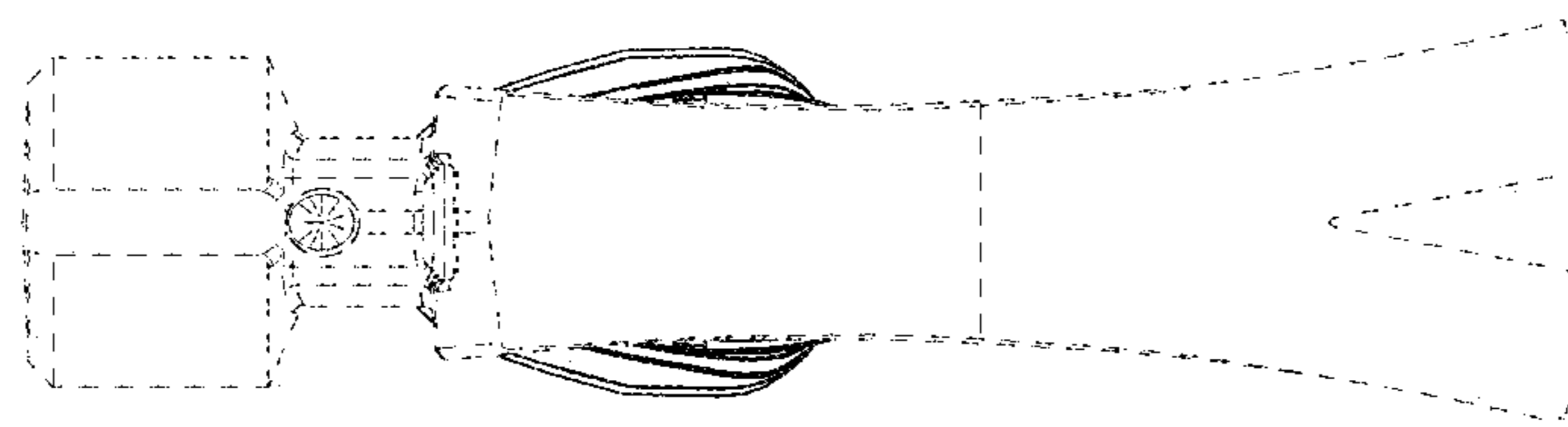


FIG. 13

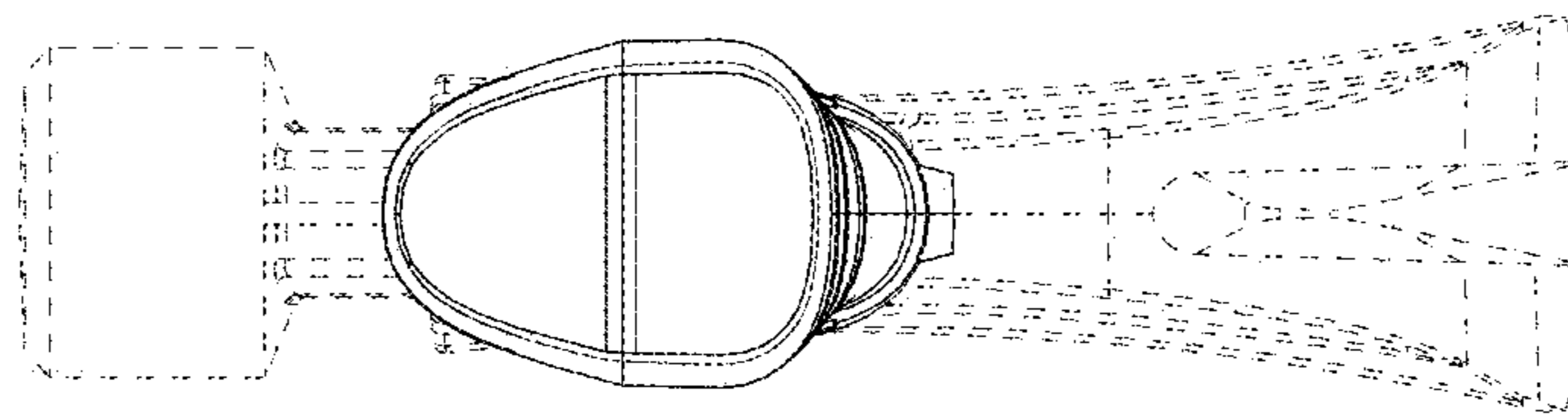


FIG. 14

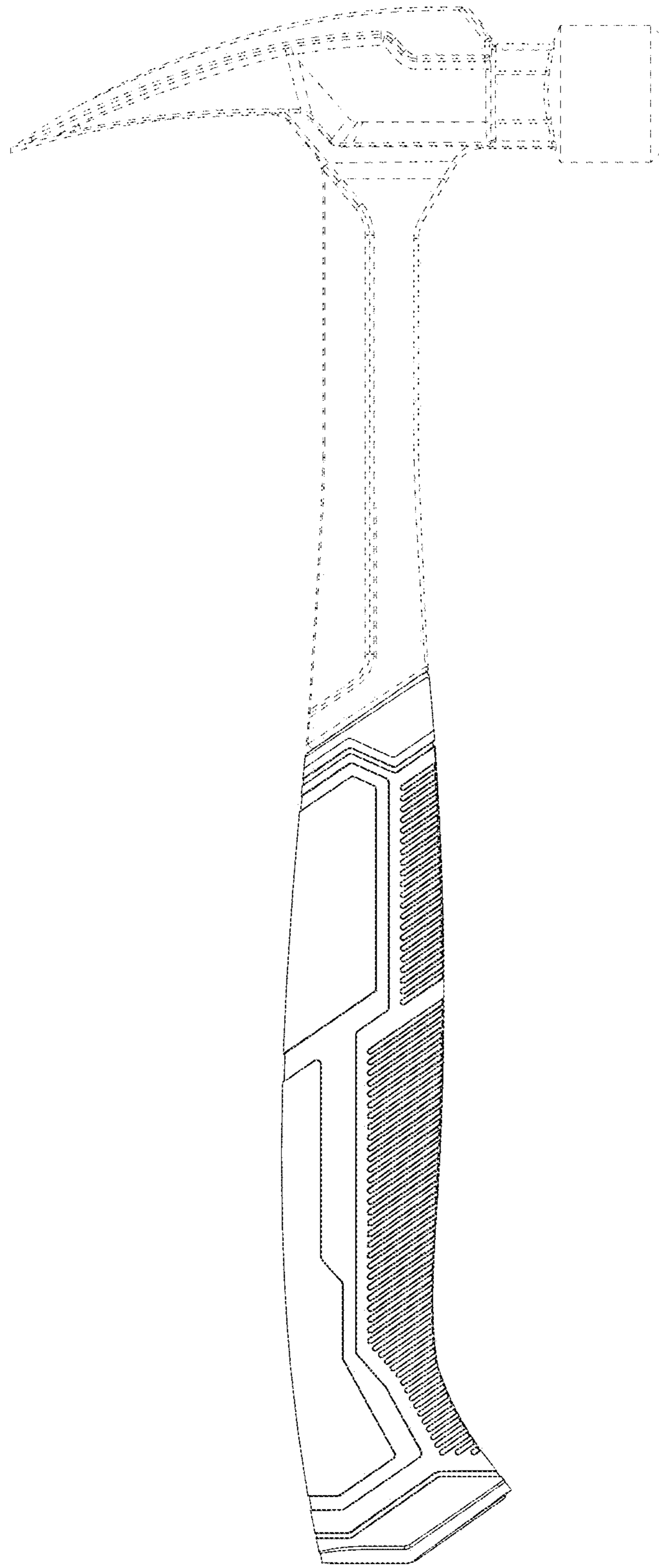


FIG. 15

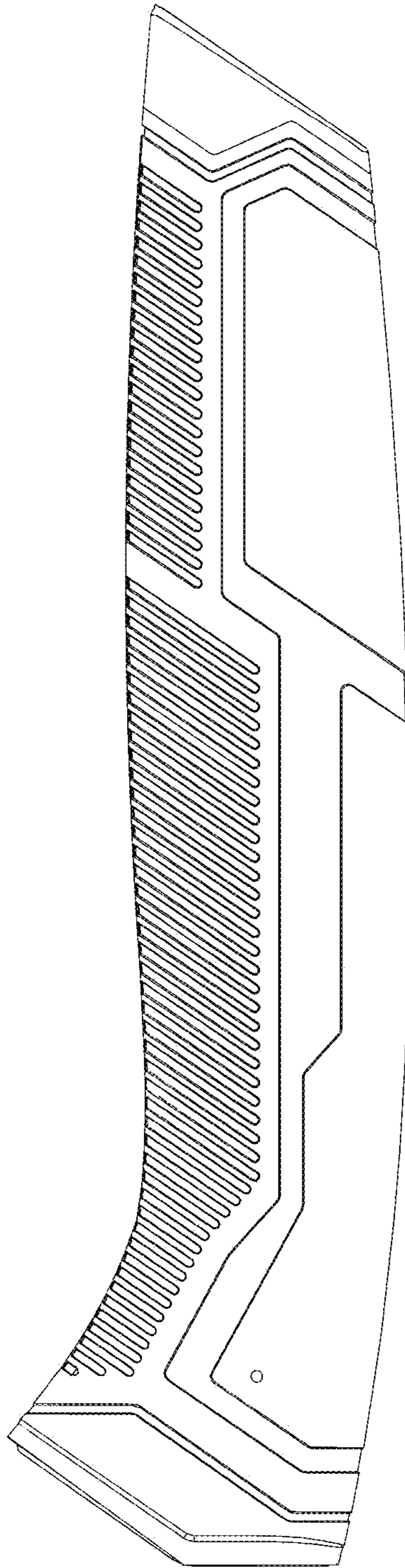


FIG. 16