



US00D897800S

(12) **United States Design Patent** (10) **Patent No.:** **US D897,800 S**
King, Jr. (45) **Date of Patent:** **** Oct. 6, 2020**

- (54) **VACUUM SHROUD ATTACHMENT**
- (71) Applicant: **Skitter & Squirt Adventures, LLC**,
Missoula, MT (US)
- (72) Inventor: **Jack M King, Jr.**, Phoenix, AZ (US)
- (73) Assignee: **Skitter & Squirt Adventures, LLC**,
Missoula, MT (US)
- (**) Term: **15 Years**
- (21) Appl. No.: **29/726,569**
- (22) Filed: **Mar. 4, 2020**

Related U.S. Application Data

- (60) Division of application No. 29/671,005, filed on Nov. 21, 2018, now Pat. No. Des. 882,367, which is a continuation-in-part of application No. 29/644,552, filed on Apr. 18, 2018, now Pat. No. Des. 883,057.
- (51) **LOC (12) Cl.** **08-05**
- (52) **U.S. Cl.**
USPC **D8/70; D15/124**
- (58) **Field of Classification Search**
USPC D8/70, 62, 40; D15/28, 126, 138, 17, 21,
D15/124
CPC B25F 5/00; B24B 55/10; B24B 55/102;
B24B 23/005
See application file for complete search history.

(56) **References Cited**

U.S. PATENT DOCUMENTS

- 4,697,389 A * 10/1987 Romine B24D 15/02
451/354
 - D331,585 S * 12/1992 Wolff D15/124
 - 5,527,207 A * 6/1996 Azar B24B 55/102
451/344
 - D378,006 S * 2/1997 Clendenning D32/54
- (Continued)

Primary Examiner — Mark A Goodwin

(74) *Attorney, Agent, or Firm* — Lisa Foundation Patent Law Clinic at Arizona State University

(57) **CLAIM**

The ornamental design for a vacuum shroud attachment, as shown and described.

DESCRIPTION

This patent is related to U.S. nonprovisional utility patent application Ser. No. 15/956,448, filed on Apr. 18, 2018.

FIG. 1 depicts an isometric view of the vacuum shroud attachment from above and to the side whilst it is coupled to a vacuum shroud.

FIG. 2 depicts an isometric view of the vacuum shroud attachment from an above and to the opposite side than FIG. 1 whilst it is coupled to a vacuum shroud.

FIG. 3 depicts a back view of the vacuum shroud attachment coupled to a vacuum shroud.

FIG. 4 depicts a front view of the vacuum shroud attachment coupled to a vacuum shroud.

FIG. 5 depicts a view of the vacuum shroud attachment from above and angled in front on its own.

FIG. 6 depicts a view of the vacuum shroud attachment from above and angled behind on its own.

FIG. 7 depicts a view of the vacuum shroud attachment from below and angled behind on its own.

FIG. 8 depicts a view of the vacuum shroud attachment from below and angled in front on its own.

FIG. 9 depicts an exploded view of the vacuum shroud attachment from above and to the side.

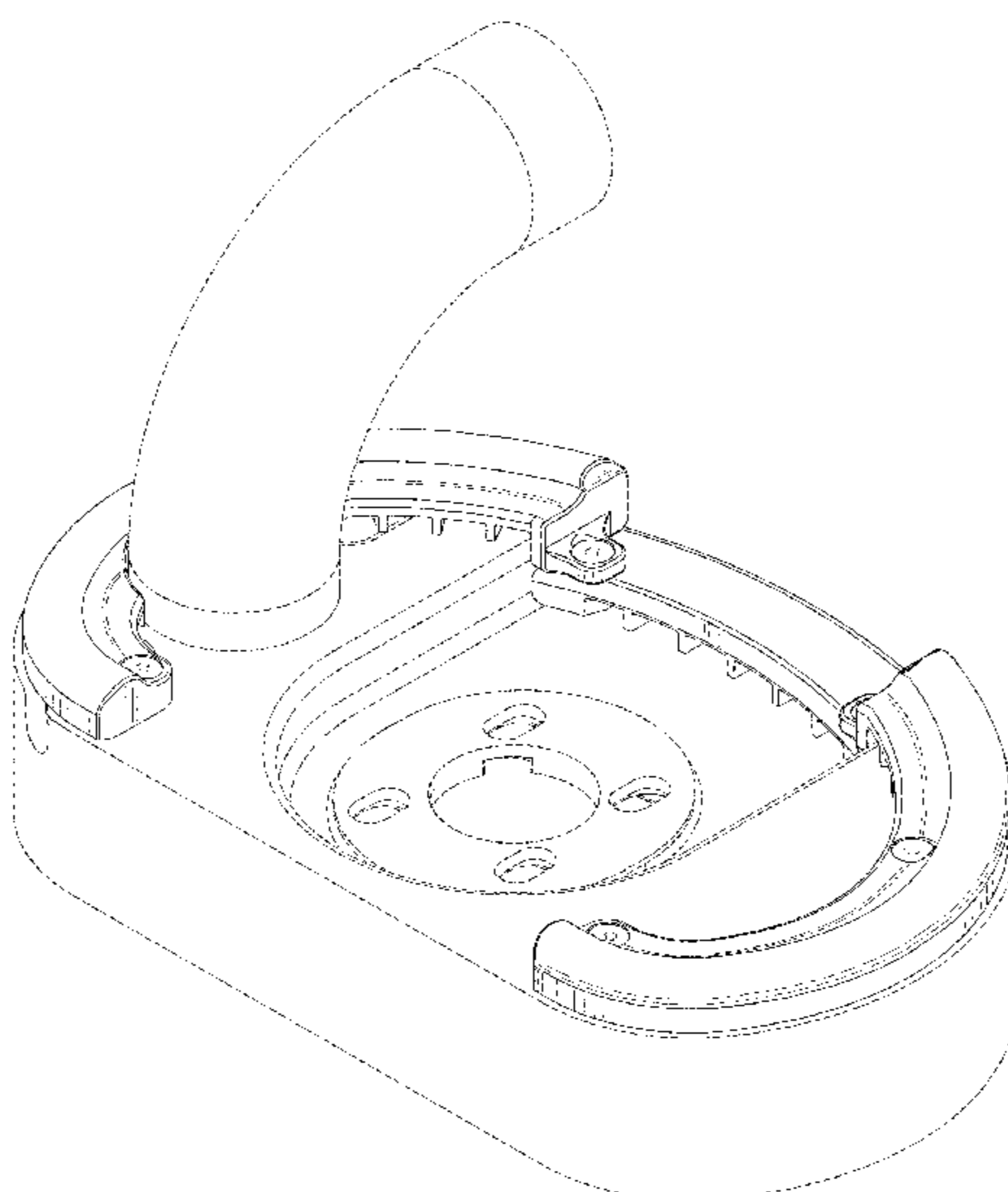
FIG. 10 depicts an exploded view of the vacuum shroud attachment from below and to the side.

FIG. 11 depicts an exploded view of the vacuum shroud attachment from directly above; and,

FIG. 12 depicts an exploded view of the vacuum shroud attachment from directly below.

The broken line showing of a vacuum shroud is included for the purpose of illustrating environmental structure only and forms no part of the claimed design.

1 Claim, 9 Drawing Sheets



US D897,800 S

Page 2

(56)

References Cited

U.S. PATENT DOCUMENTS

6,027,399	A *	2/2000	Stewart	B24B 23/02	451/353
6,353,590	B1 *	3/2002	Knudsen	G11B 5/5526	219/121.68
6,540,598	B1 *	4/2003	McCutchen	B24B 7/186	451/350
D499,625	S *	12/2004	Stirm	D8/70	
D536,078	S *	1/2007	Leon	D23/323	
D599,827	S *	9/2009	Yabe	D15/28	
D599,828	S *	9/2009	Yabe	D15/28	
D600,722	S *	9/2009	Yabe	D15/28	
D605,206	S *	12/2009	Yabe	D15/28	
8,523,637	B2 *	9/2013	Loveless	B24B 55/052	451/359
D751,610	S *	3/2016	Serrurier	D15/28	
D766,994	S *	9/2016	Kunz	D15/28	
D816,453	S *	5/2018	Hansen	D8/70	
D845,457	S *	4/2019	King, Jr.	D23/365	
D882,367	S *	4/2020	King, Jr.	D8/70	
D883,057	S *	5/2020	King, Jr.	D8/70	
2009/0181605	A1 *	7/2009	Loveless	B24B 55/102	451/456
2009/0181606	A1 *	7/2009	Loveless	B23Q 11/0046	451/456
2009/0186559	A1 *	7/2009	Loveless	B24B 55/10	451/28
2010/0261417	A1 *	10/2010	O'Shannessy	B24B 23/005	451/344
2010/0285729	A1 *	11/2010	Loveless	B24B 23/028	451/456
2011/0021121	A1 *	1/2011	Loveless	B24B 55/052	451/456
2013/0198996	A1 *	8/2013	King, Jr.	A47L 9/02	15/415.1
2014/0352106	A1 *	12/2014	King, Jr.	B28D 7/02	15/415.1
2019/0321940	A1 *	10/2019	King, Jr.	B24B 23/005	

* cited by examiner

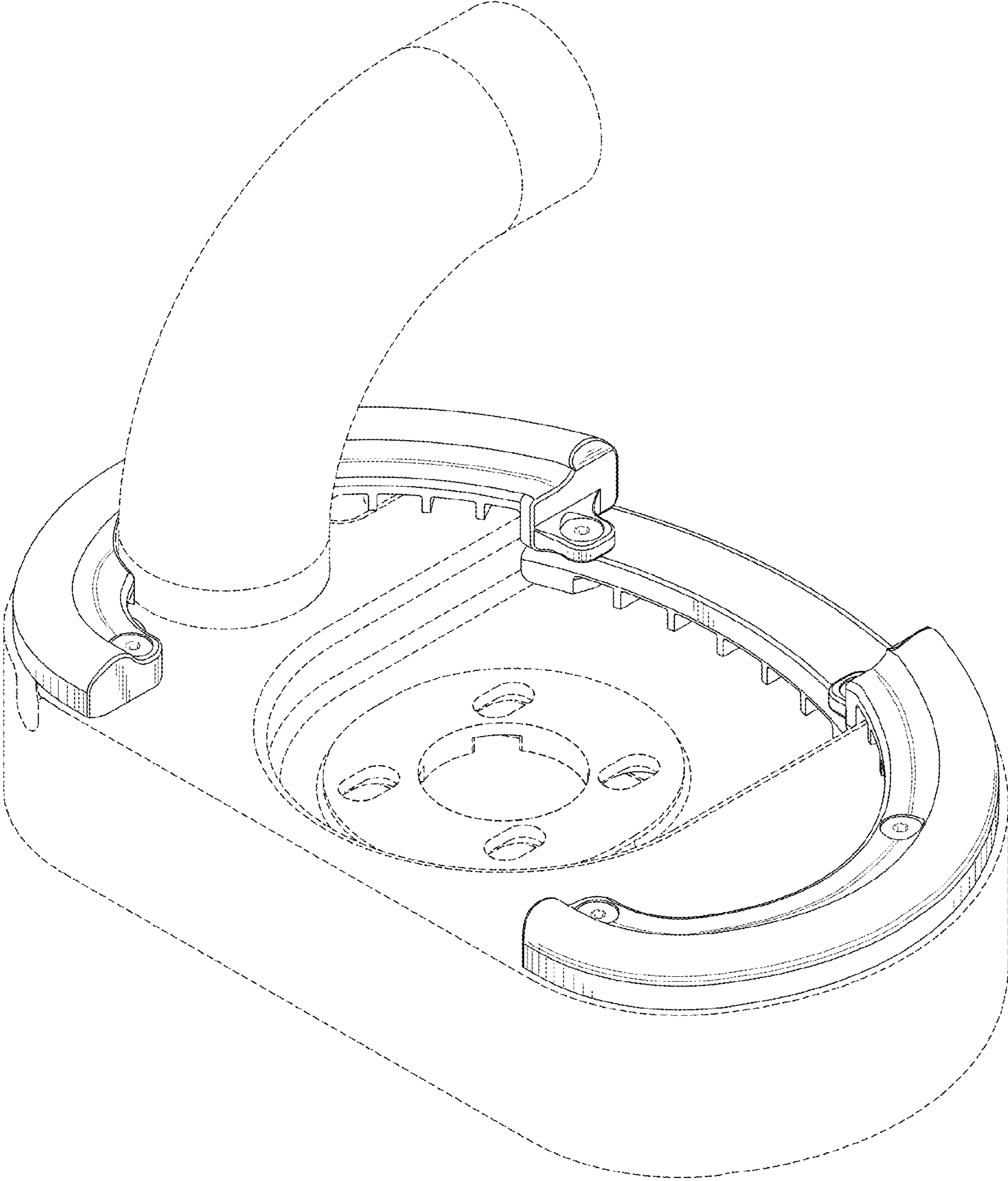


FIG. 1

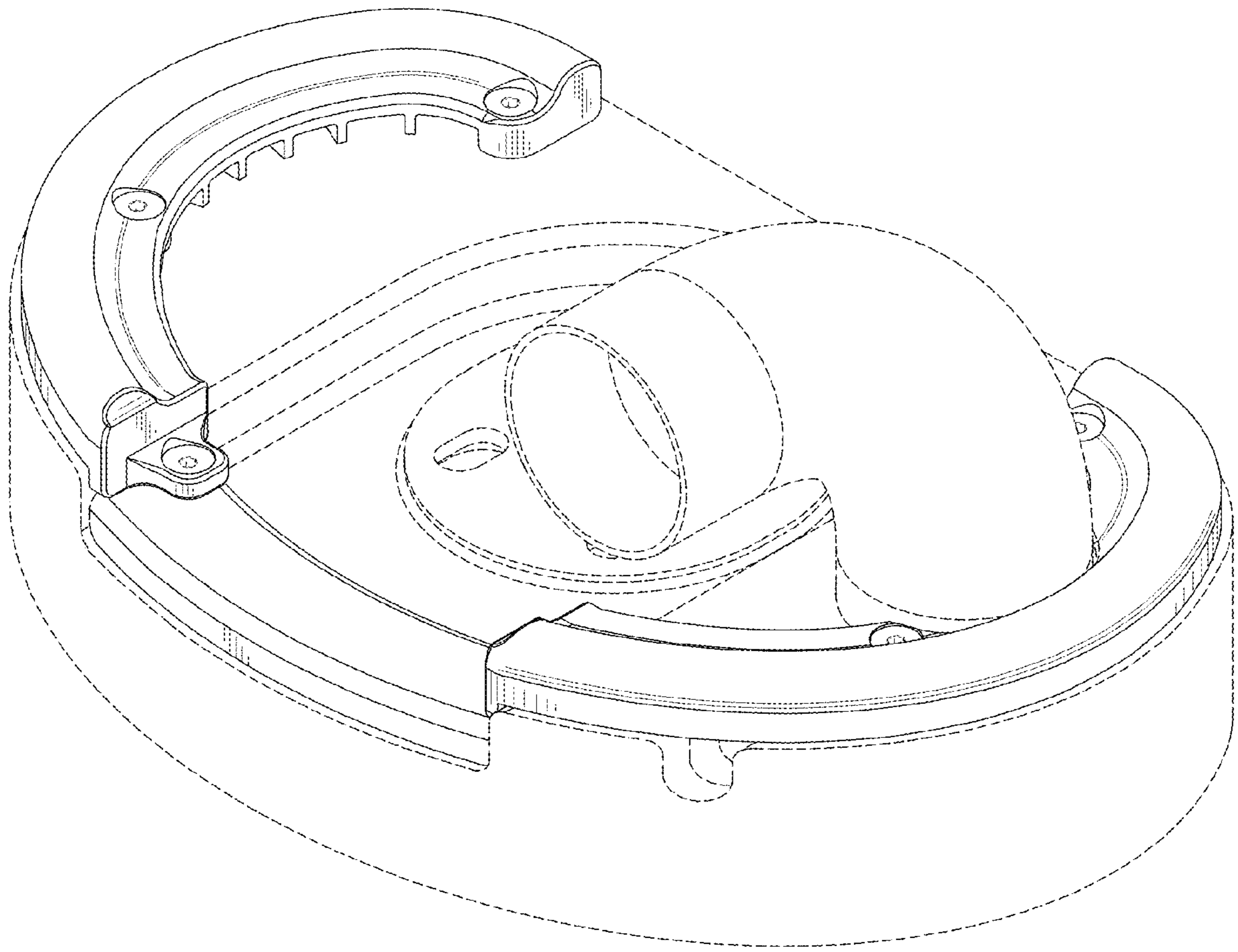


FIG. 2

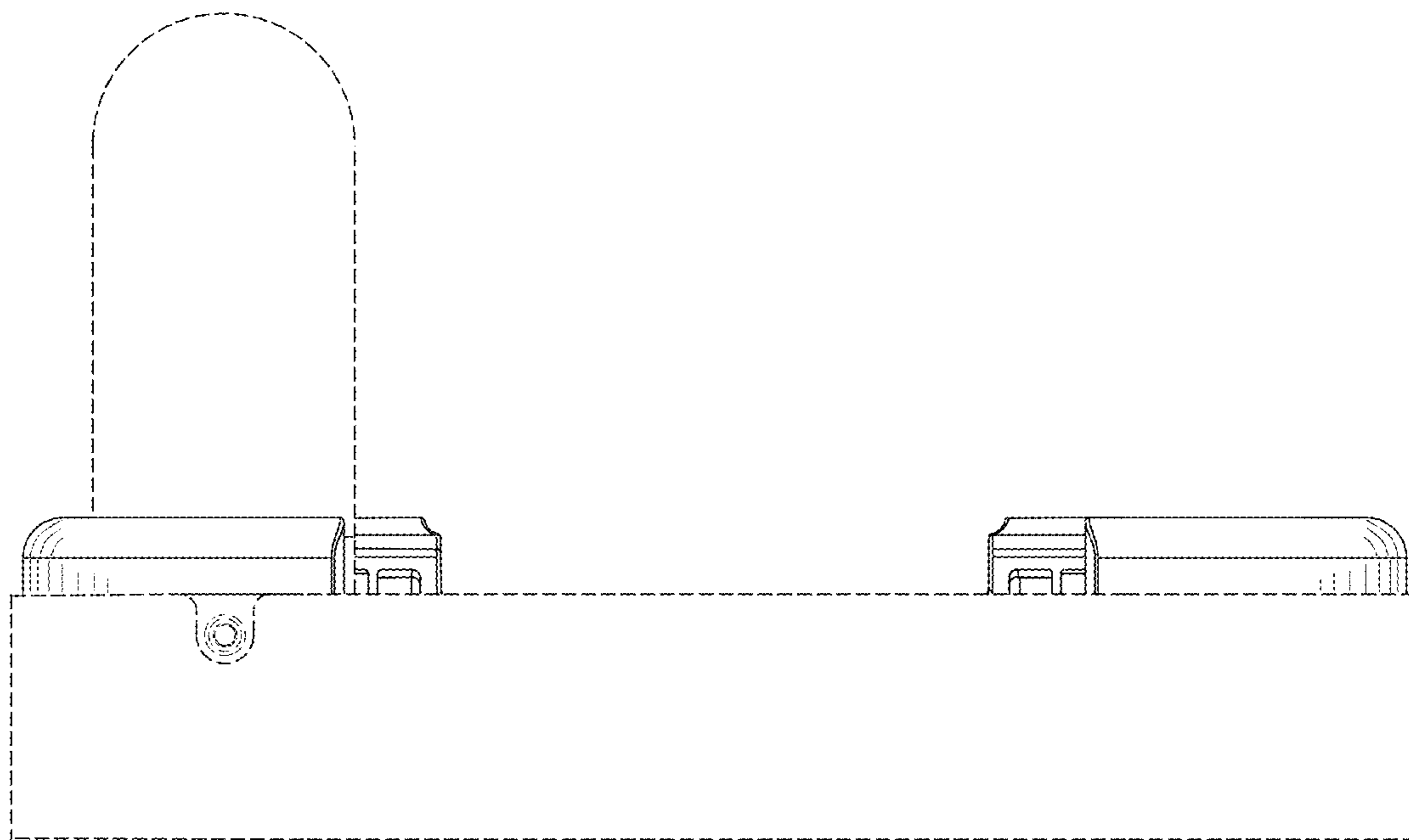


FIG. 3

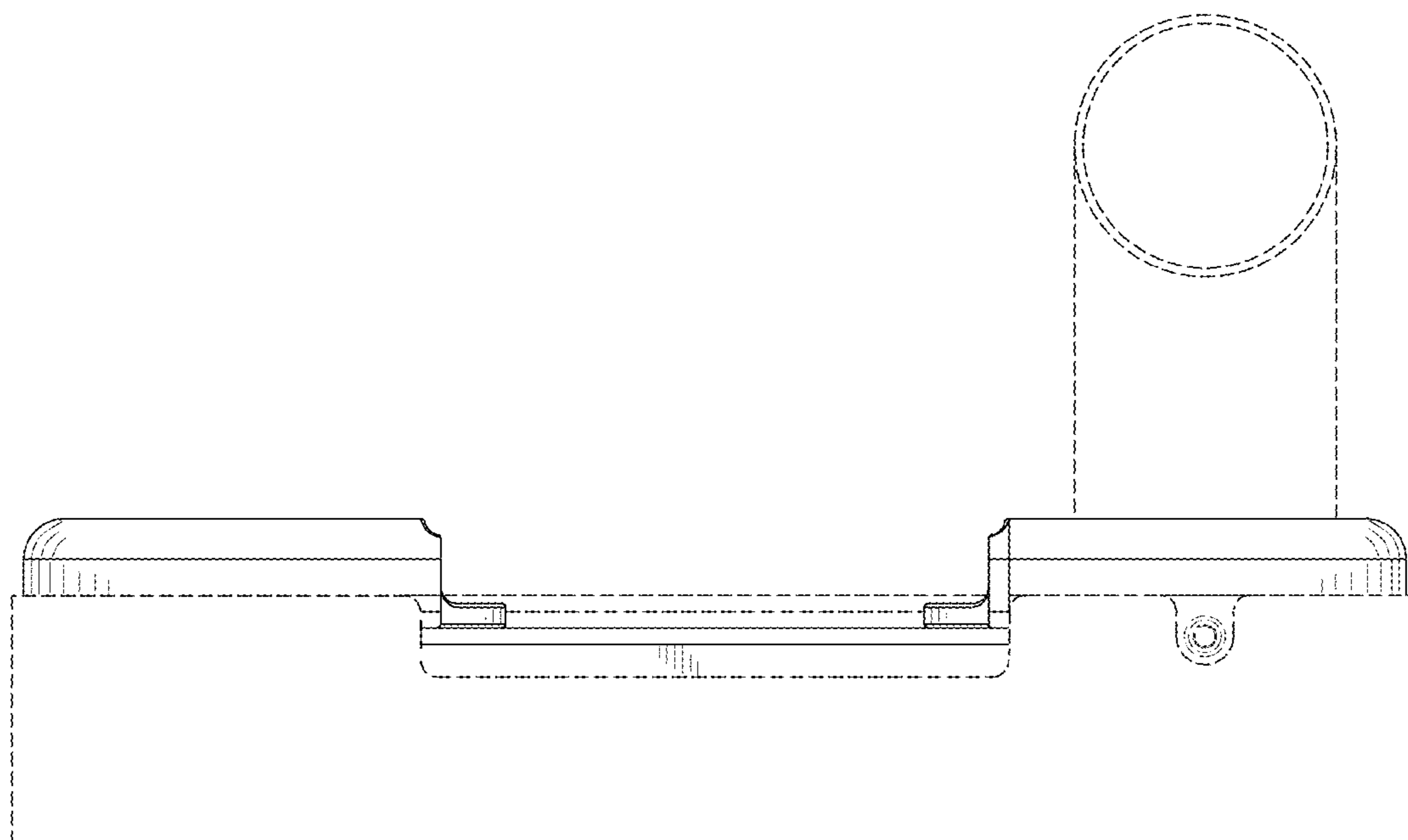


FIG. 4

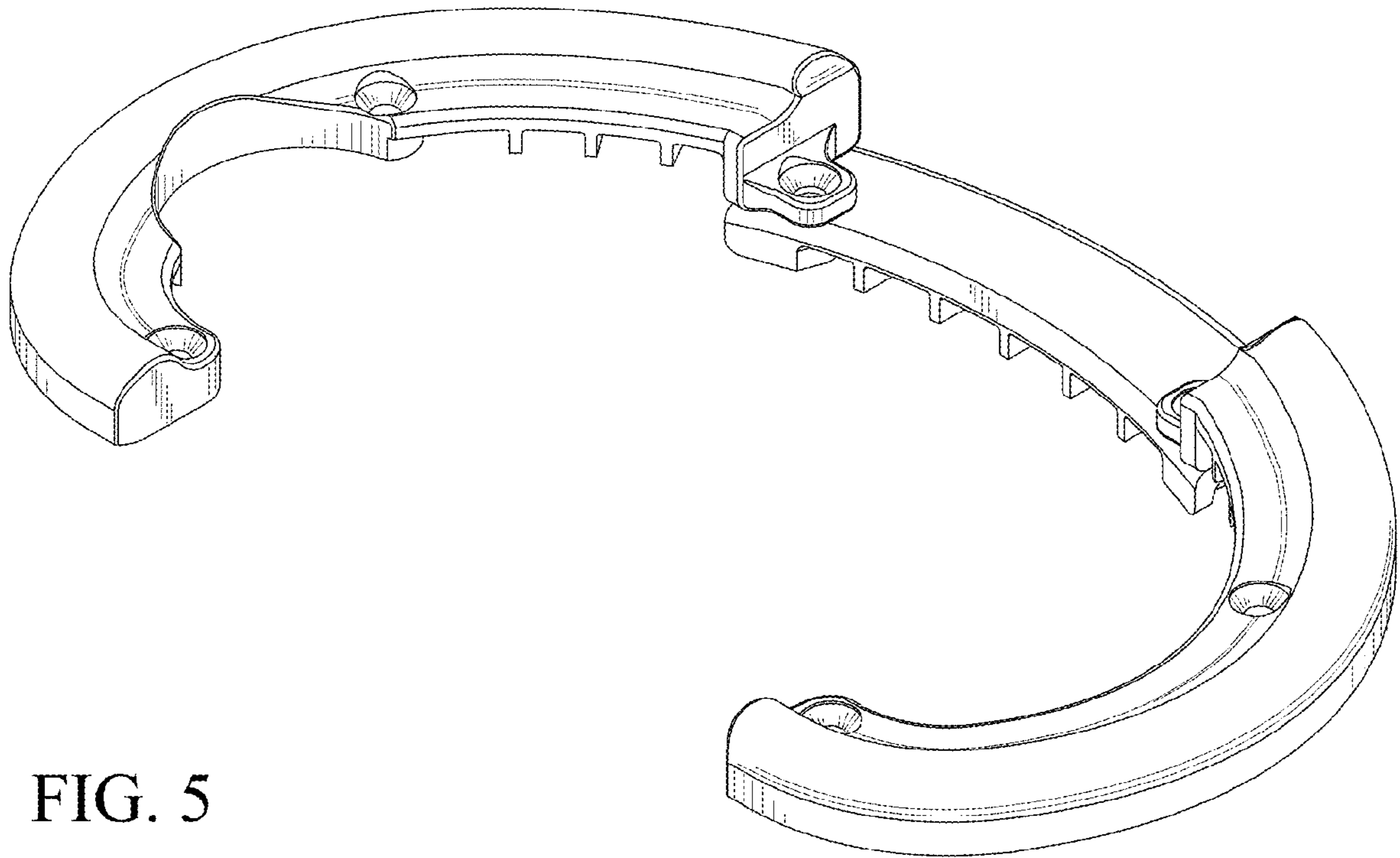


FIG. 5

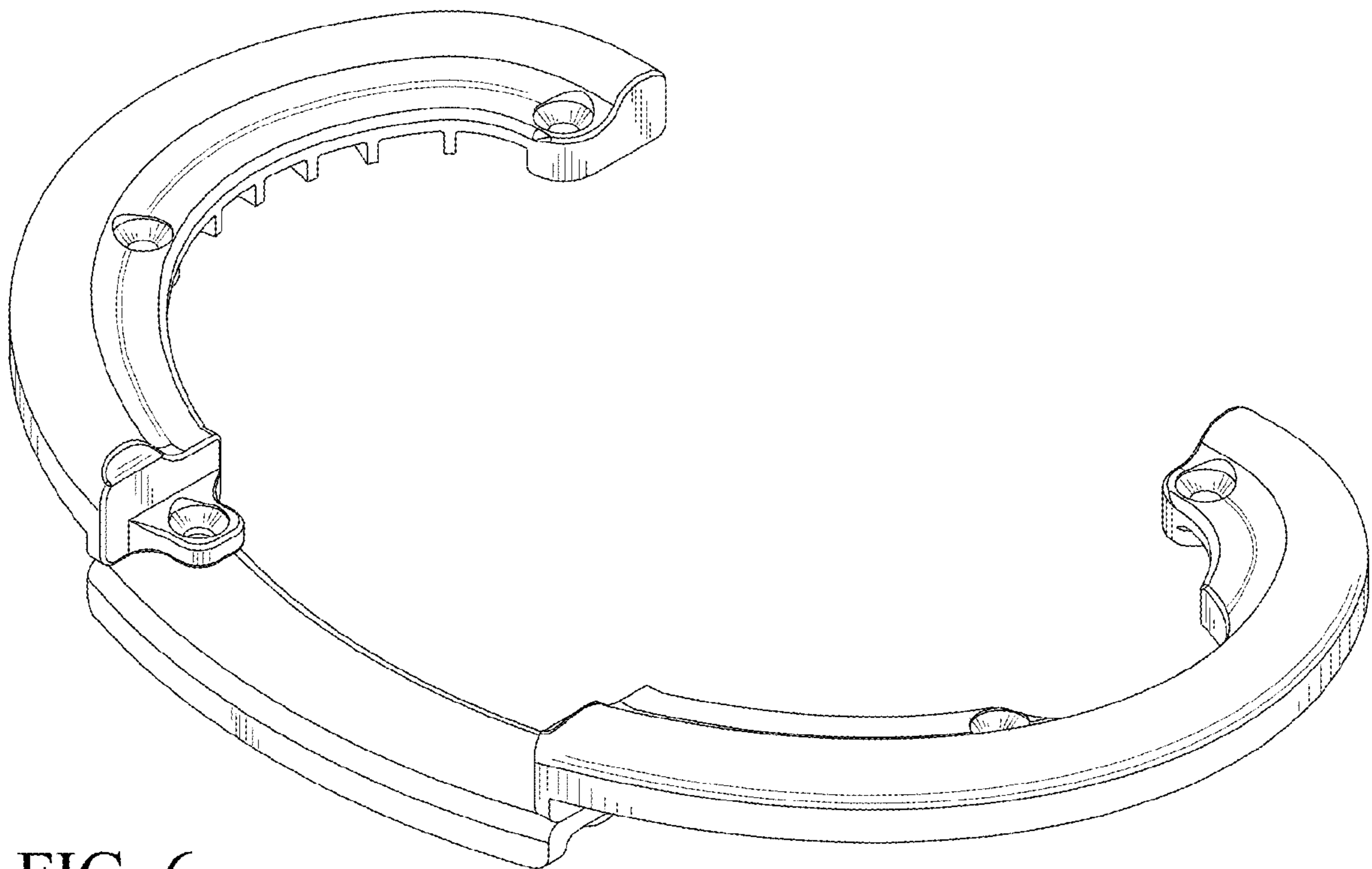


FIG. 6

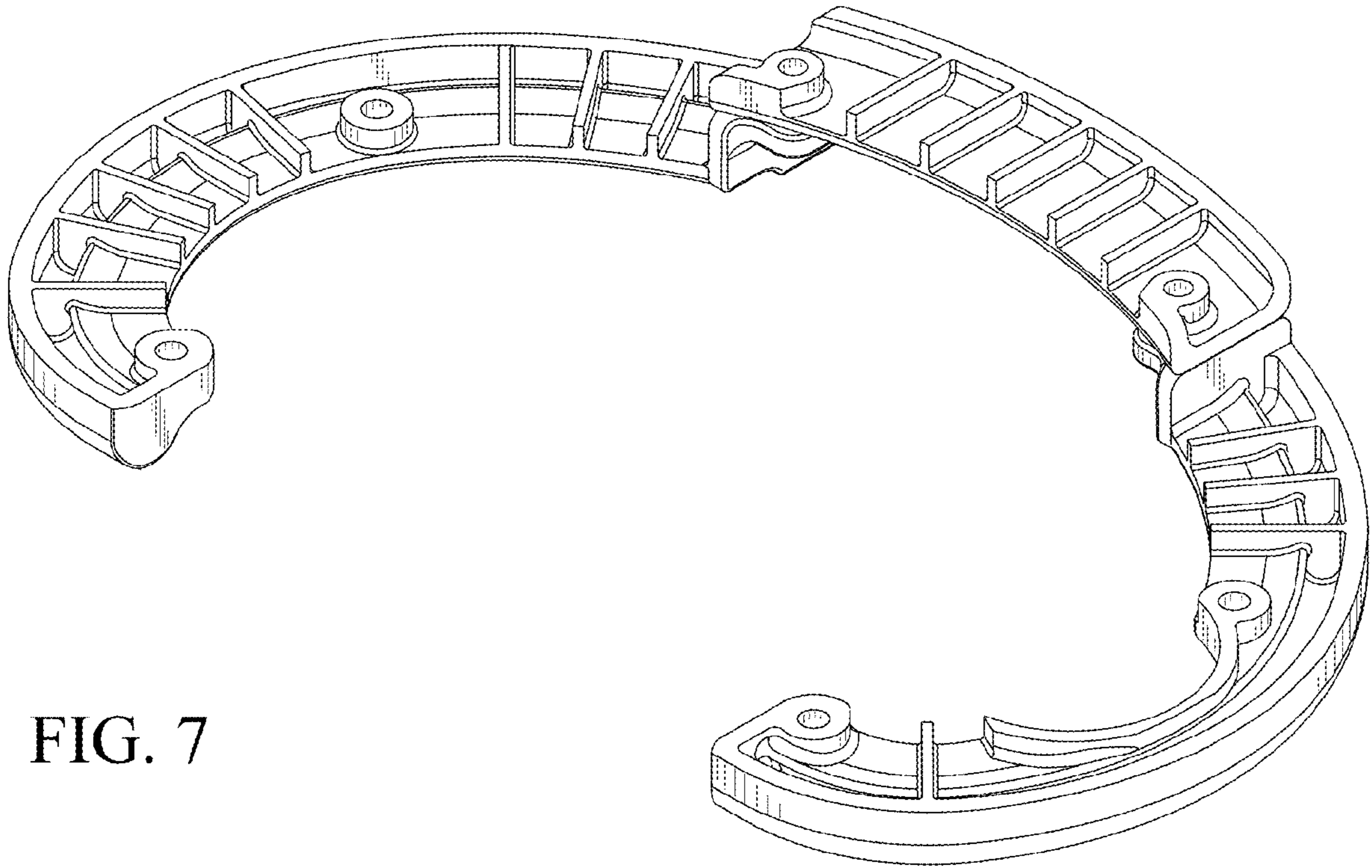


FIG. 7

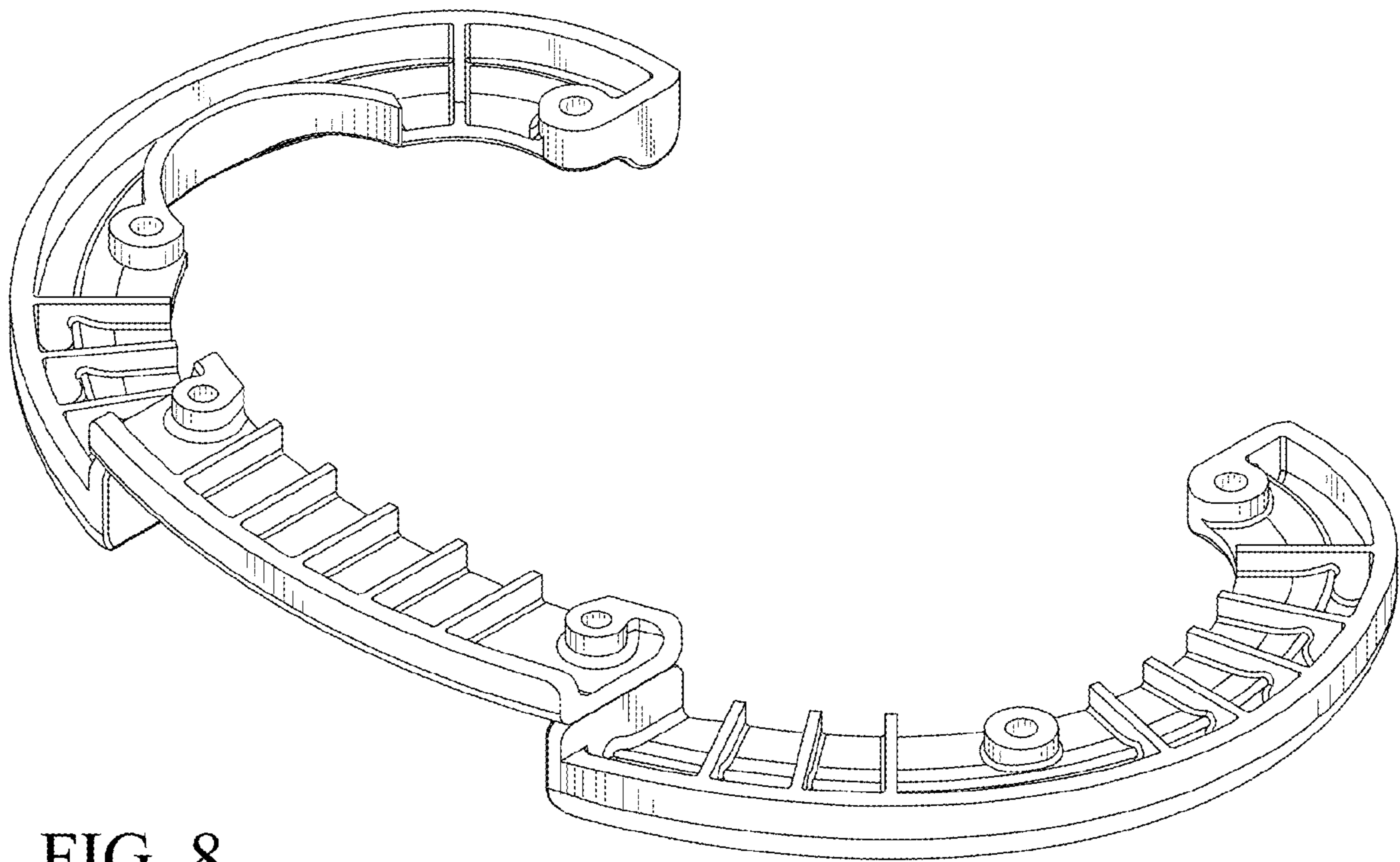


FIG. 8

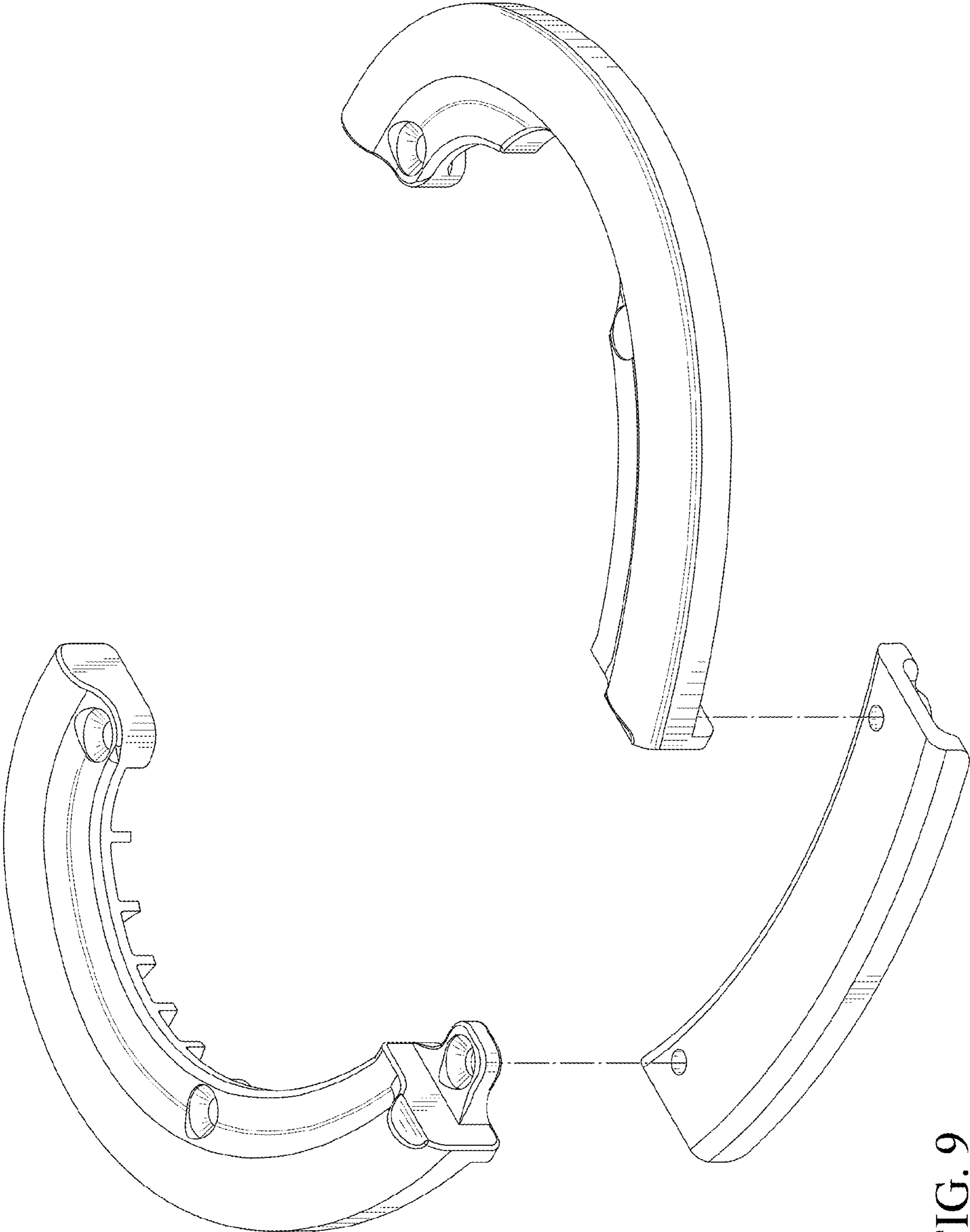


FIG. 9

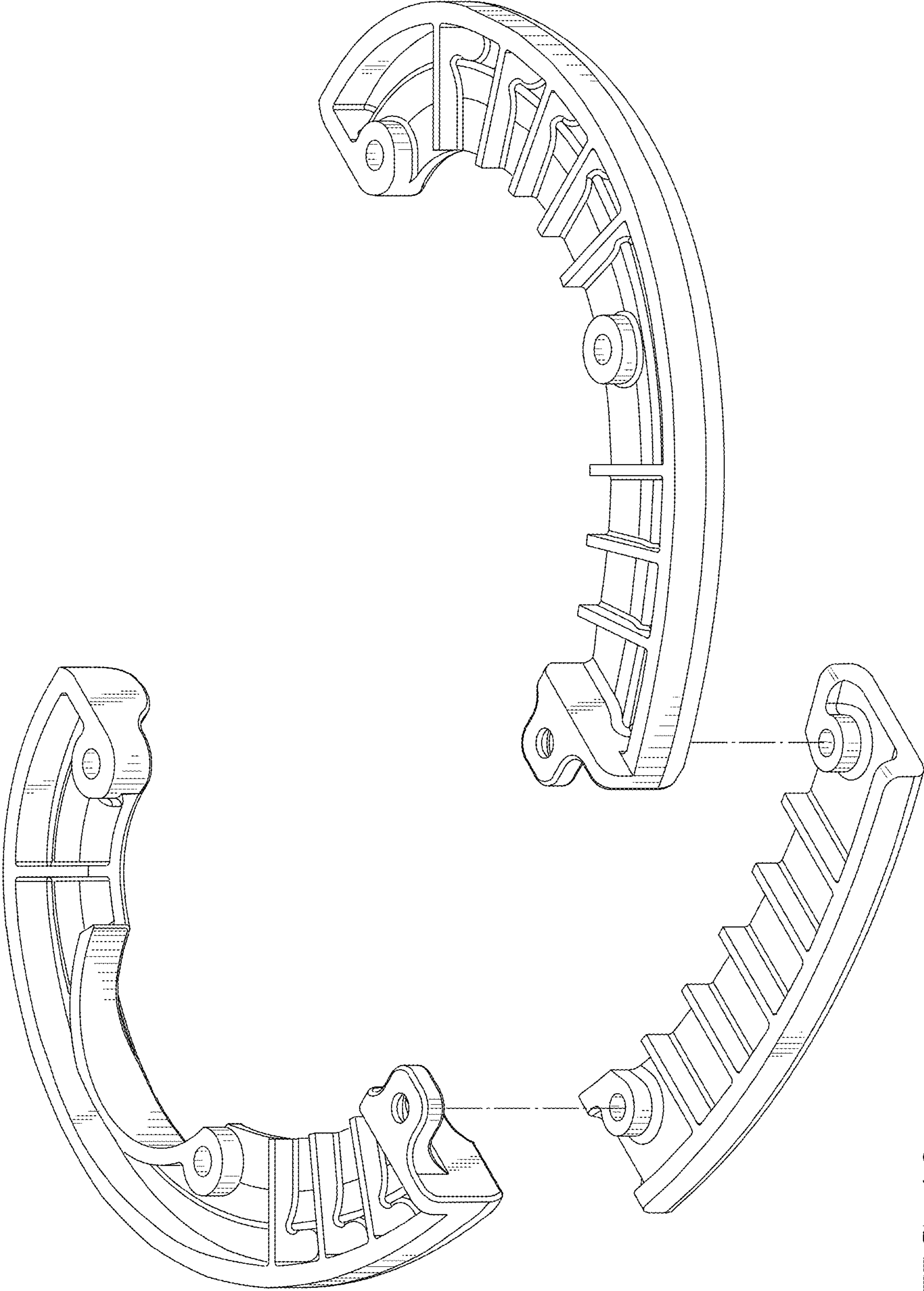


FIG. 10

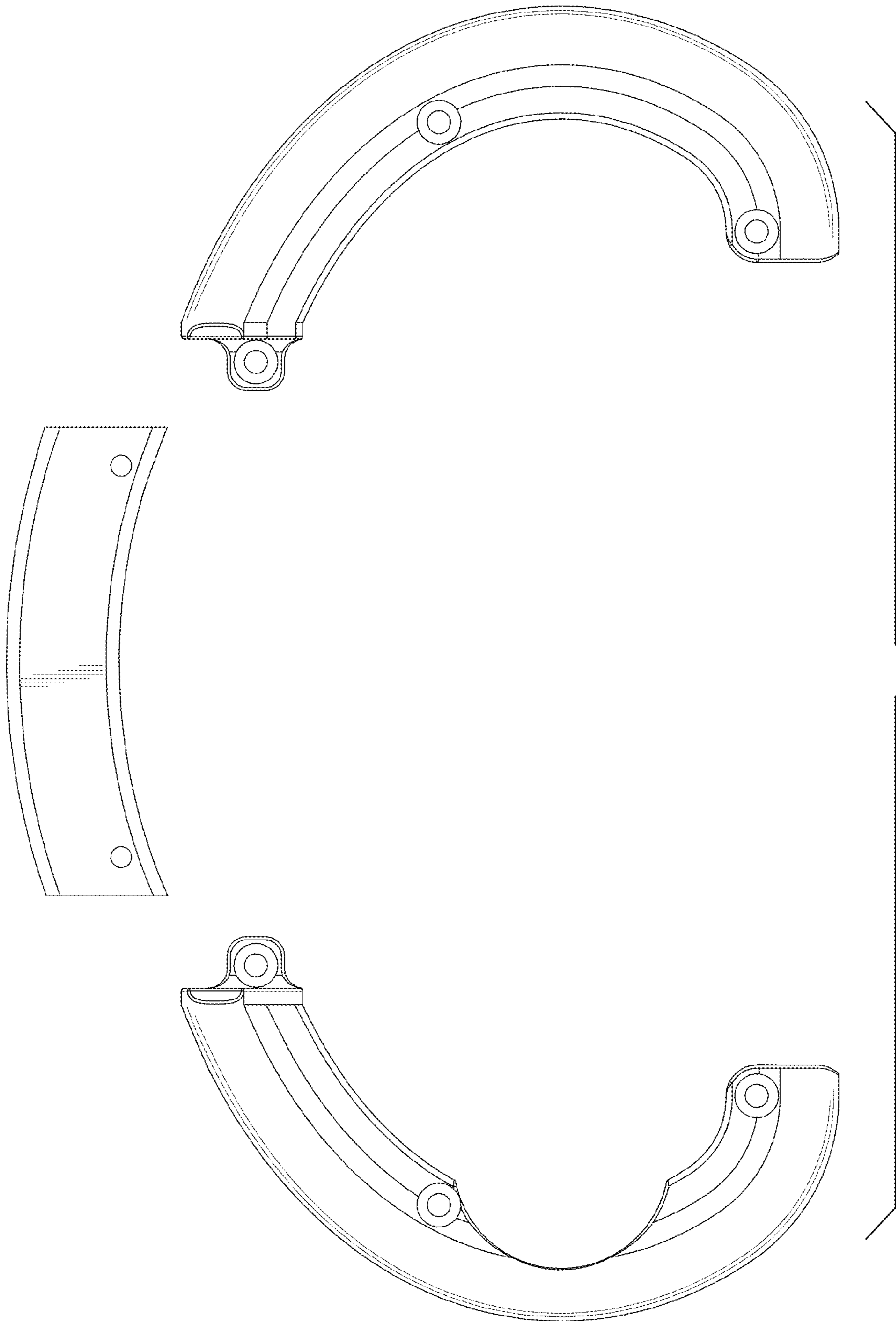


FIG. 11

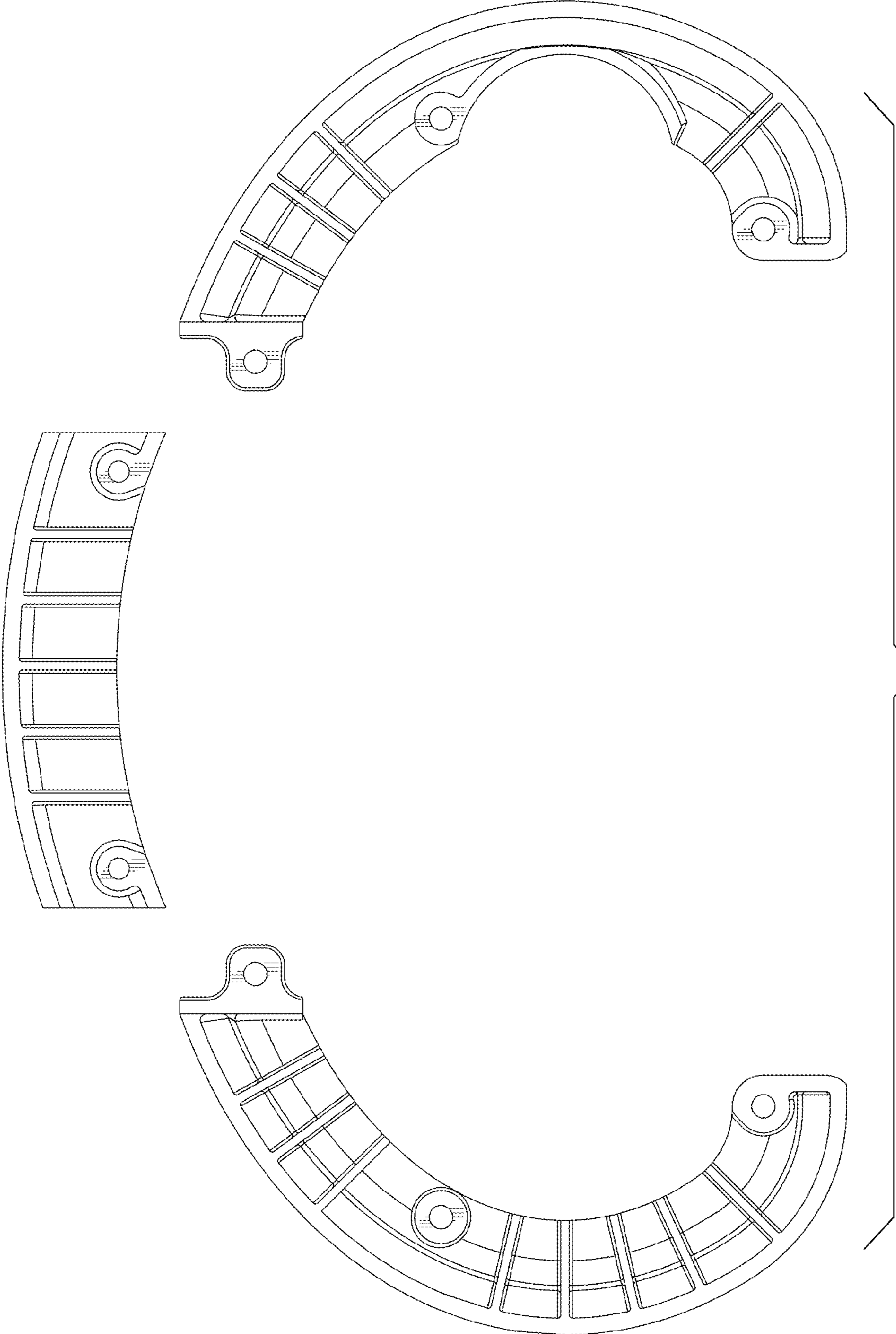


FIG. 12