



US00D897799S

(12) **United States Design Patent**
Hochstrasser

(10) **Patent No.:** **US D897,799 S**

(45) **Date of Patent:** **** *Oct. 6, 2020**

(54) **STAPLE DRIVING TOOL**

(71) Applicant: **Signode Industrial Group LLC**,
Glenview, IL (US)

(72) Inventor: **Samuel Hochstrasser**, Fällanden (CH)

(73) Assignee: **Signode Industrial Group LLC**,
Glenview, IL (US)

(*) Notice: This patent is subject to a terminal disclaimer.

(**) Term: **15 Years**

(21) Appl. No.: **29/721,099**

(22) Filed: **Jan. 17, 2020**

Related U.S. Application Data

(63) Continuation of application No. 29/623,739, filed on Oct. 26, 2017, now Pat. No. Des. 873,106.

(30) **Foreign Application Priority Data**

May 3, 2017 (DE) 40 2017 000 628

(51) **LOC (12) Cl.** **08-05**

(52) **U.S. Cl.**
USPC **D8/68**

(58) **Field of Classification Search**

USPC D8/61, 62, 63, 64, 65, 66, 67, 68, 69, 70
CPC .. B25C 1/001; B25C 1/04; B25C 1/06; B25C
1/041; B25C 1/047

See application file for complete search history.

(56) **References Cited**

U.S. PATENT DOCUMENTS

D591,131 S * 4/2009 Buck D8/68
D713,704 S * 9/2014 Wang D8/68
9,221,161 B2 * 12/2015 Miller B25C 1/04
D873,105 S * 1/2020 Concari D8/68

D873,106 S * 1/2020 Hochstrasser D8/68
2003/0121947 A1 * 7/2003 Hsu B25C 1/008
227/8
2005/0205638 A1 * 9/2005 Wang B25C 1/04
227/8
2006/0118591 A1 * 6/2006 Ho B25C 1/008
227/8

(Continued)

Primary Examiner — Austin Murphy

(74) *Attorney, Agent, or Firm* — K&L Gates LLP

(57) **CLAIM**

The ornamental design for a staple driving tool, as shown and described herein.

DESCRIPTION

FIG. 1 is a top front perspective view of a staple driving tool of one embodiment of my new design.

FIG. 2 is a bottom front perspective view of the staple driving tool of my new design illustrated in FIG. 1.

FIG. 3 is a top rear perspective view of the staple driving tool of my new design illustrated in FIG. 1.

FIG. 4 is a bottom rear perspective view of the staple driving tool of my new design illustrated in FIG. 1.

FIG. 5 is a front view of the staple driving tool of my new design illustrated in FIG. 1.

FIG. 6 is a rear view of the staple driving tool of my new design illustrated in FIG. 1.

FIG. 7 is a left side view of the staple driving tool of my new design illustrated in FIG. 1.

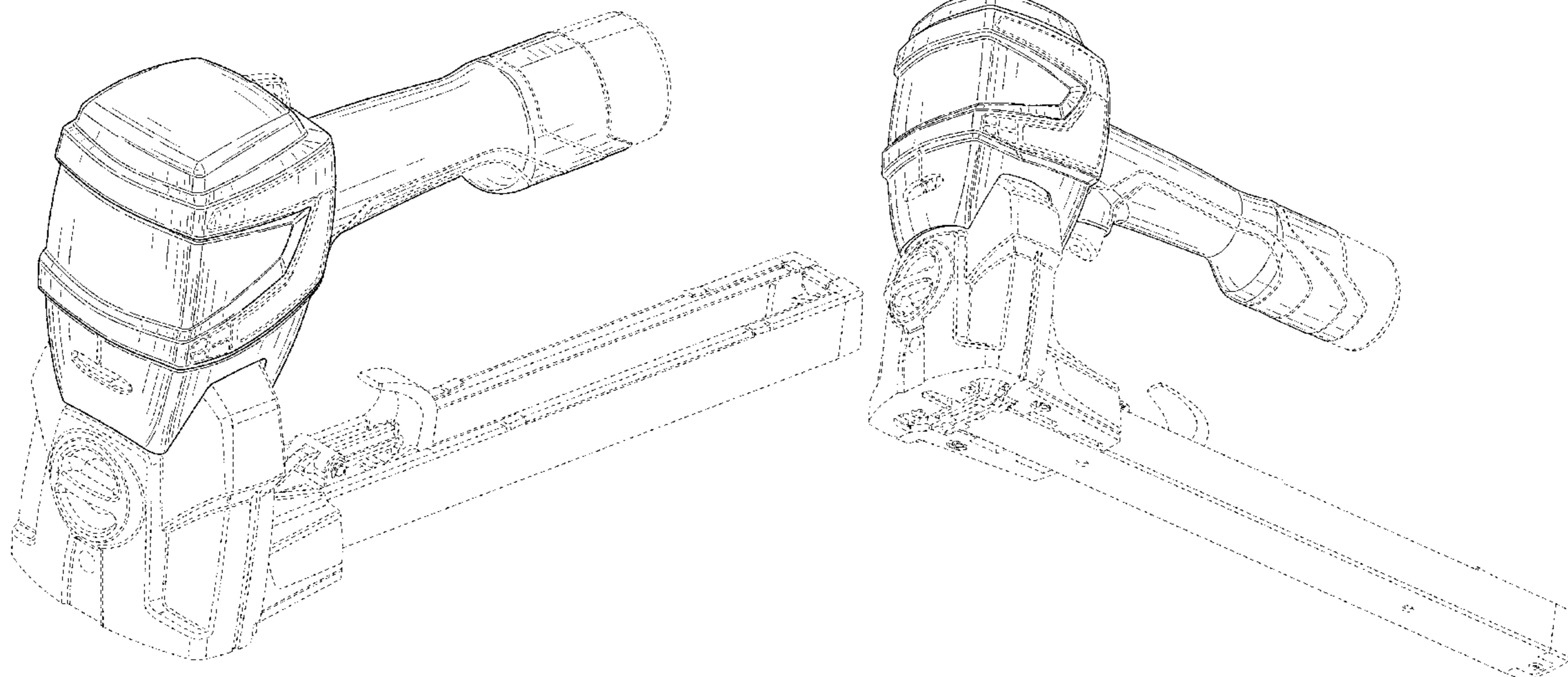
FIG. 8 is a right side view of the staple driving tool of my new design illustrated in FIG. 1.

FIG. 9 is a top view of the staple driving tool of my new design illustrated in FIG. 1; and,

FIG. 10 is a bottom view of the staple driving tool of my new design illustrated in FIG. 1.

The portions shown in phantom is not part of the design sought to be patented and is provided for environmental purposes only.

1 Claim, 10 Drawing Sheets



(56)

References Cited

U.S. PATENT DOCUMENTS

2009/0178819 A1* 7/2009 Schnell B25C 1/008
173/169
2010/0206933 A1* 8/2010 Wu B25C 1/08
227/8
2011/0148437 A1* 6/2011 Lawrence B25C 1/047
324/663
2012/0192440 A1* 8/2012 Jerabek B23D 49/165
30/393
2012/0292472 A1* 11/2012 Segura B25C 7/00
248/225.21

* cited by examiner

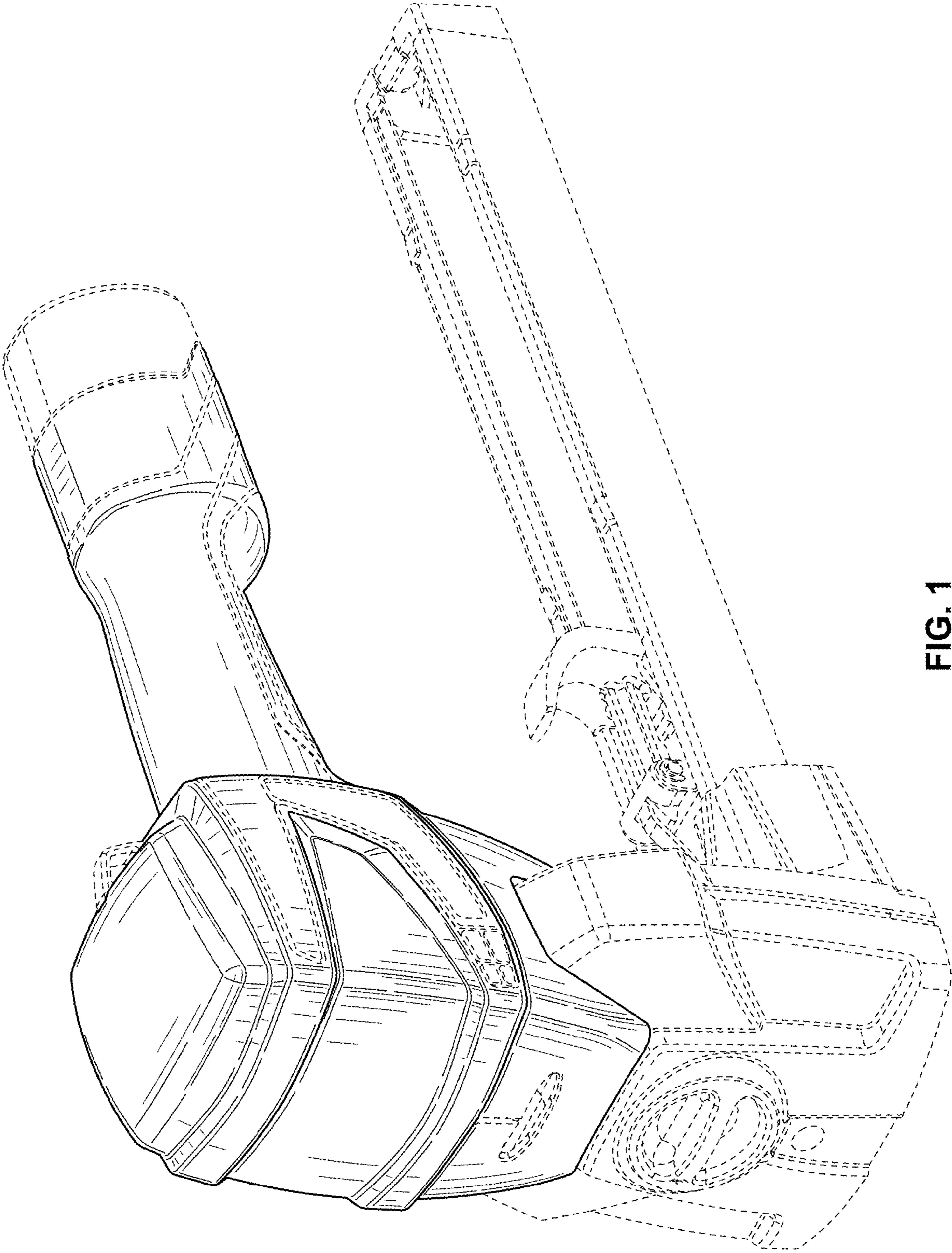


FIG. 1

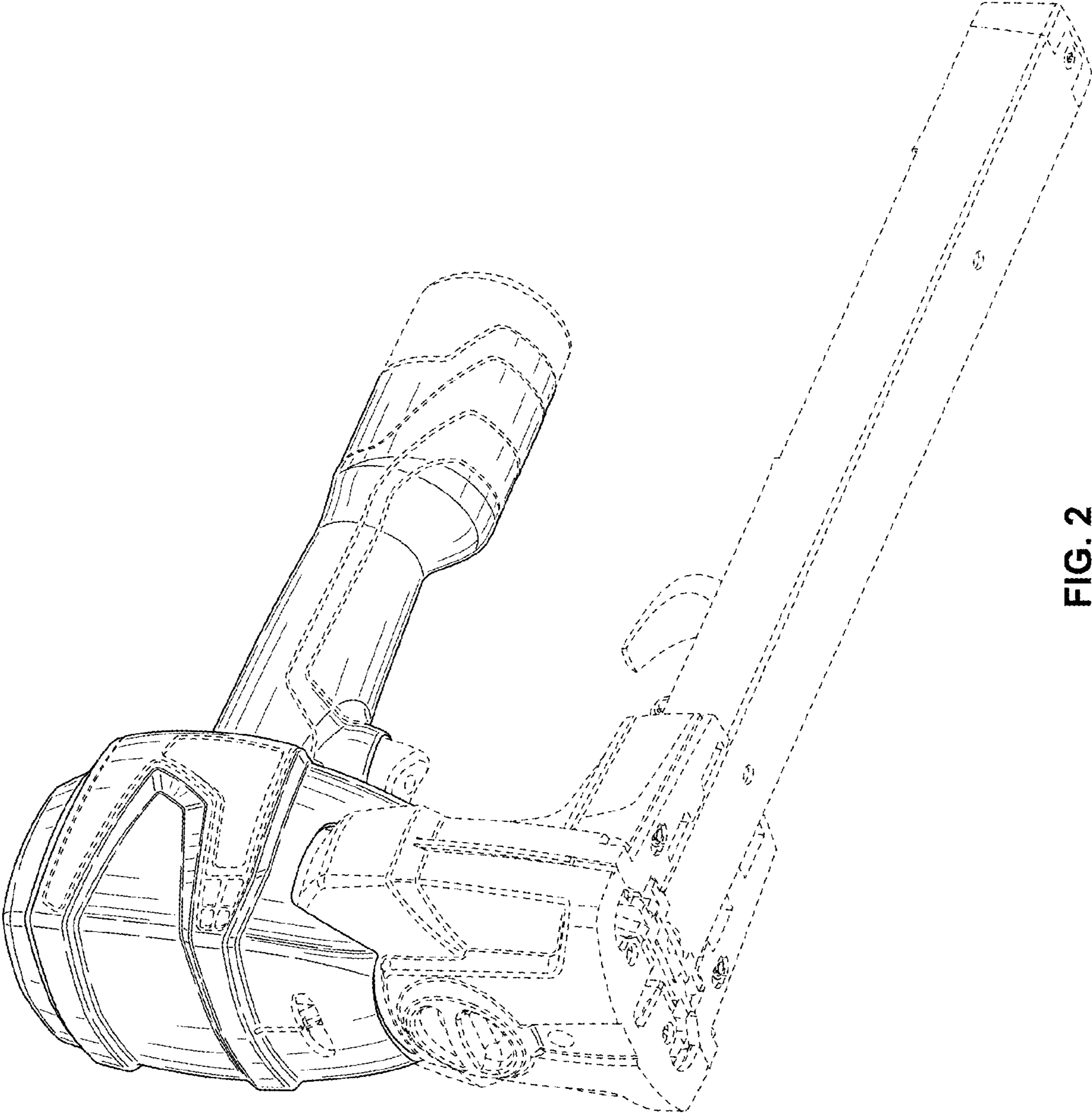


FIG. 2

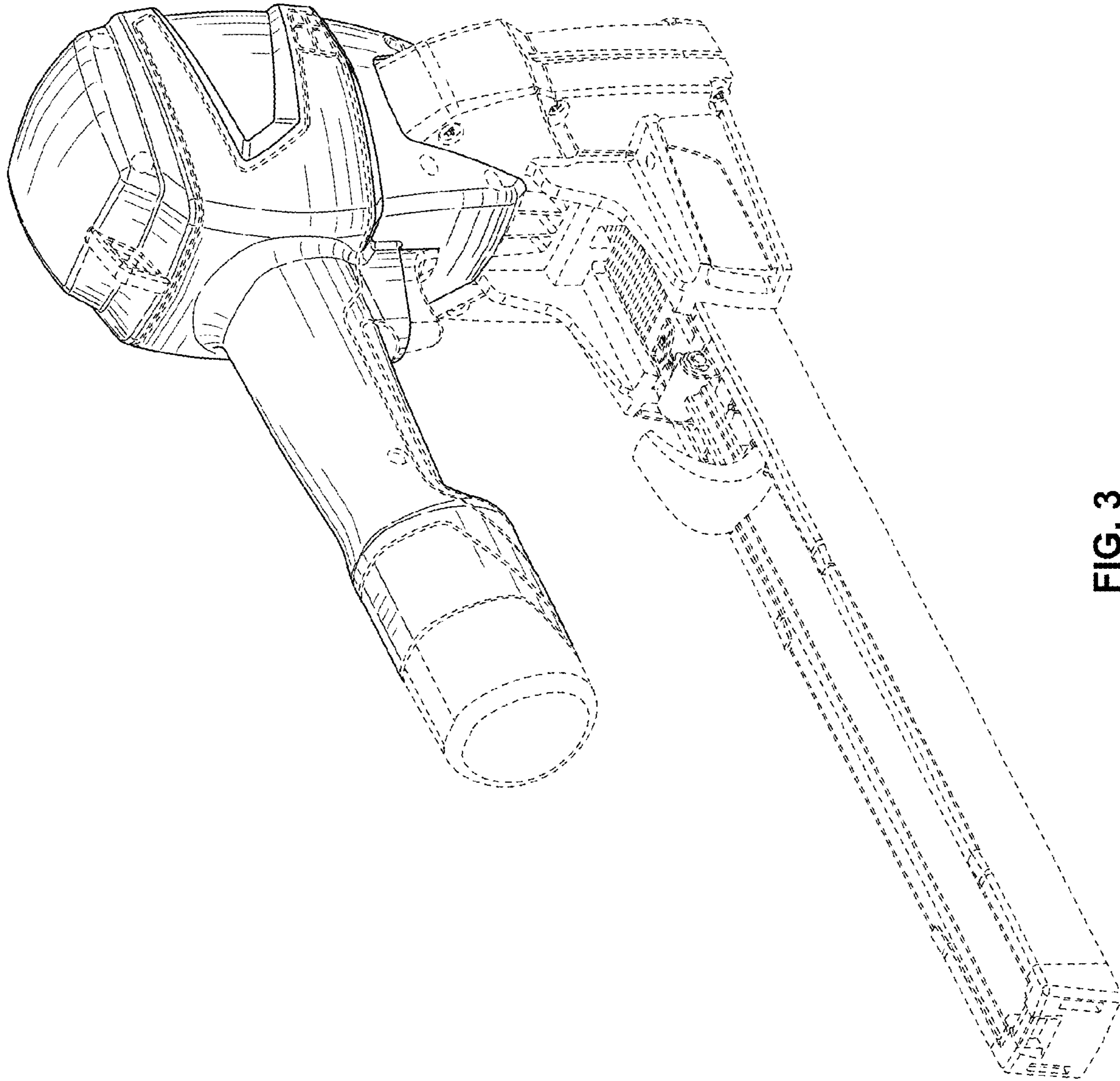


FIG. 3

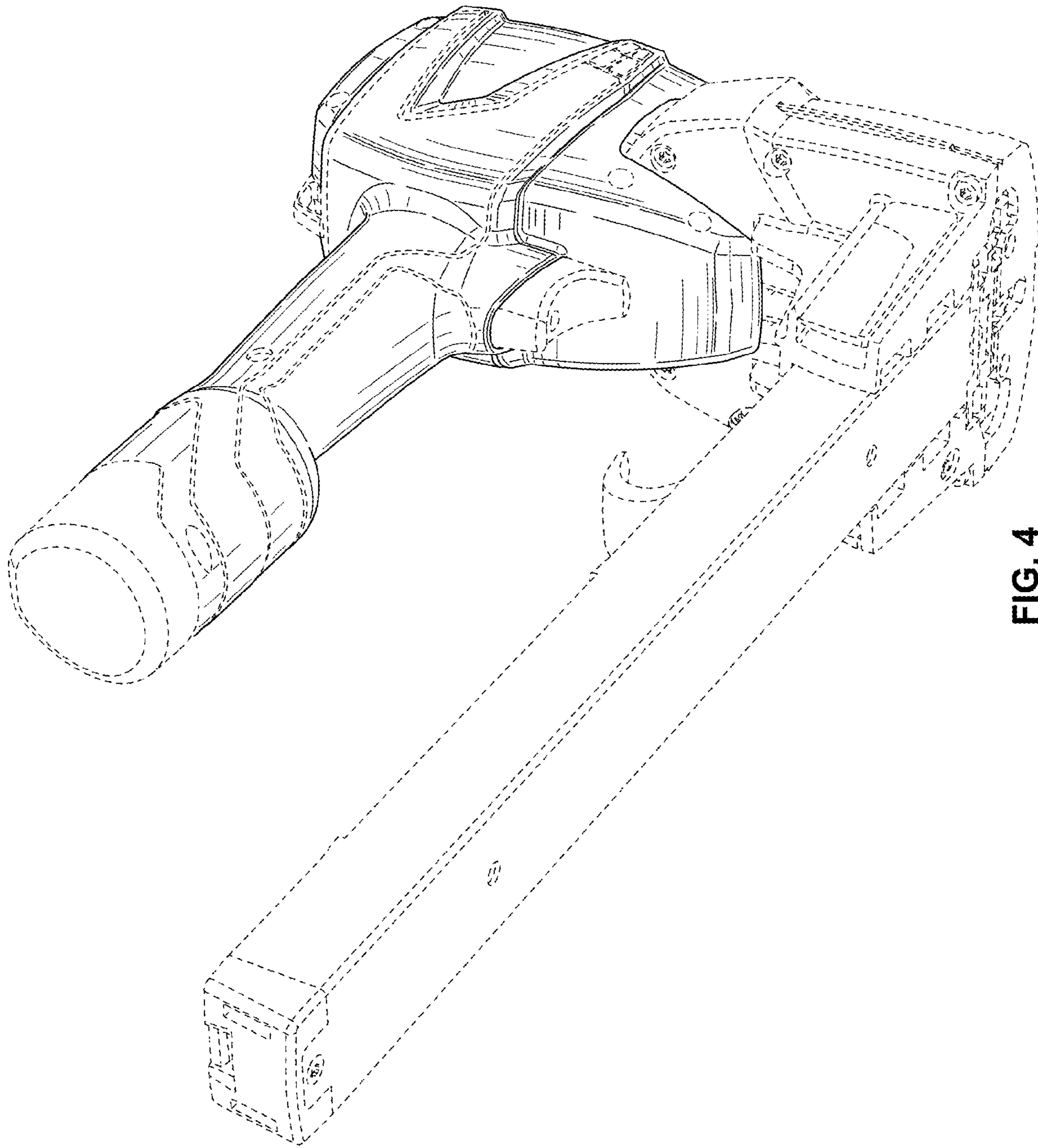


FIG. 4

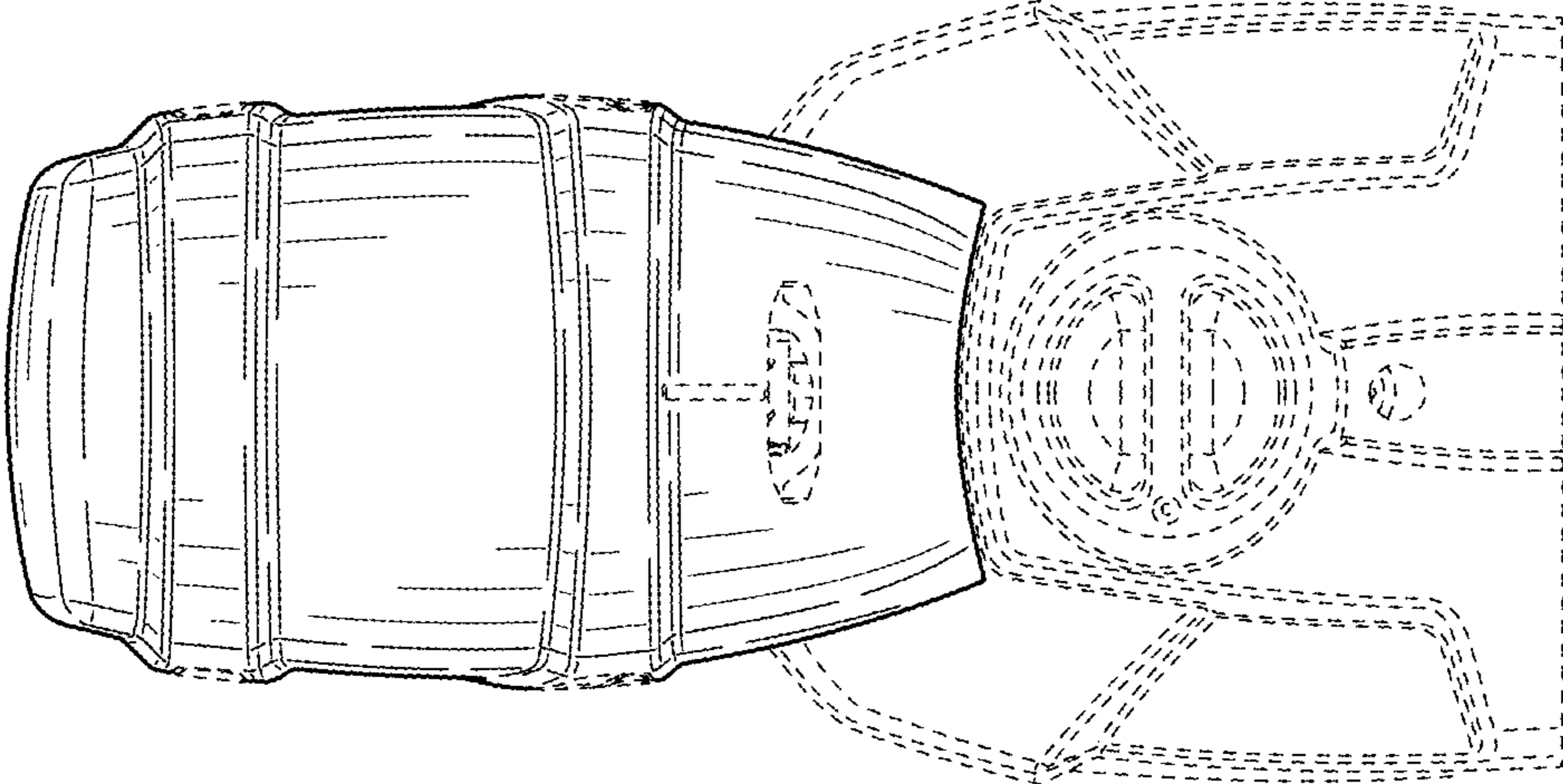


FIG. 5

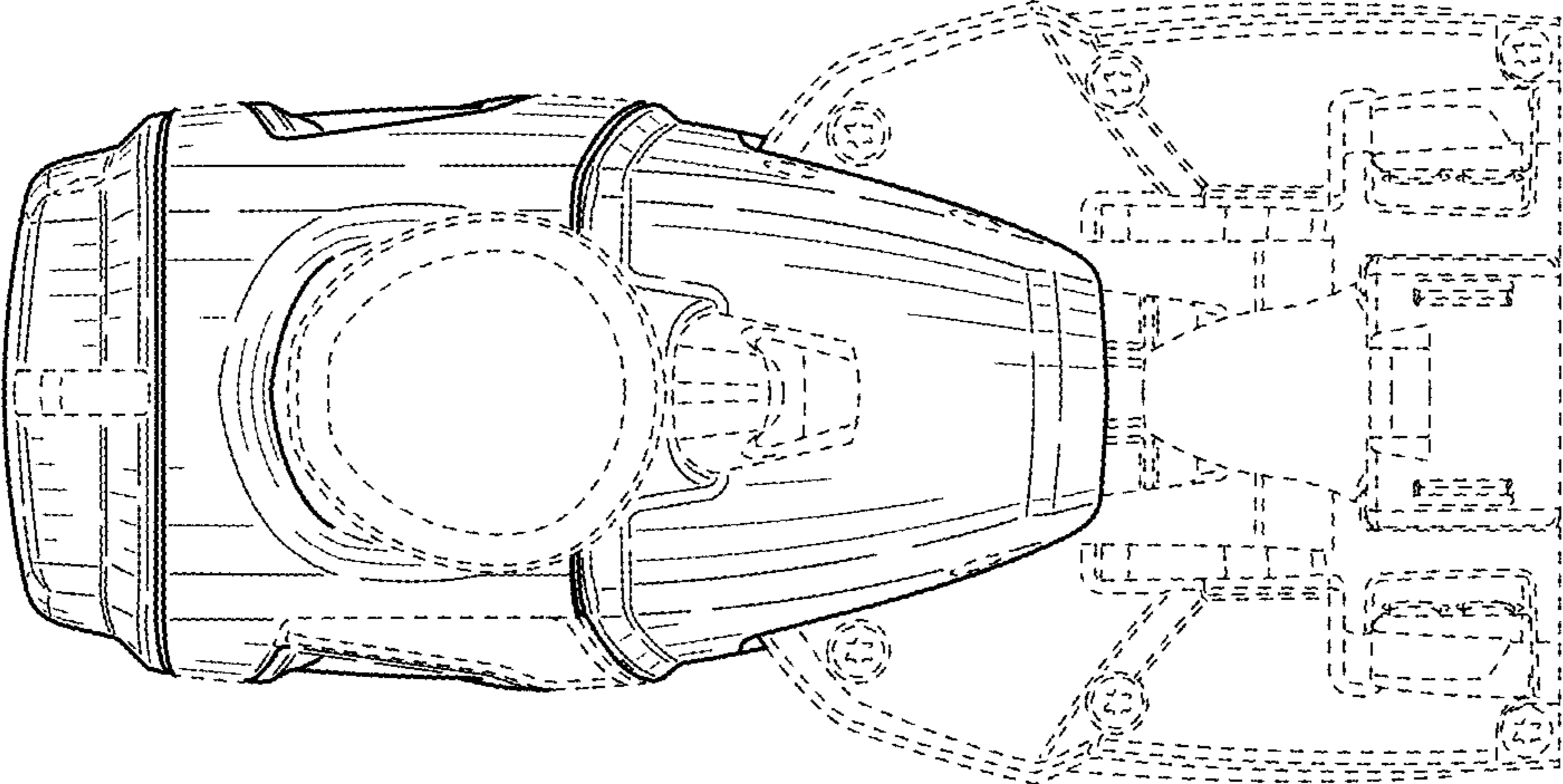


FIG. 6

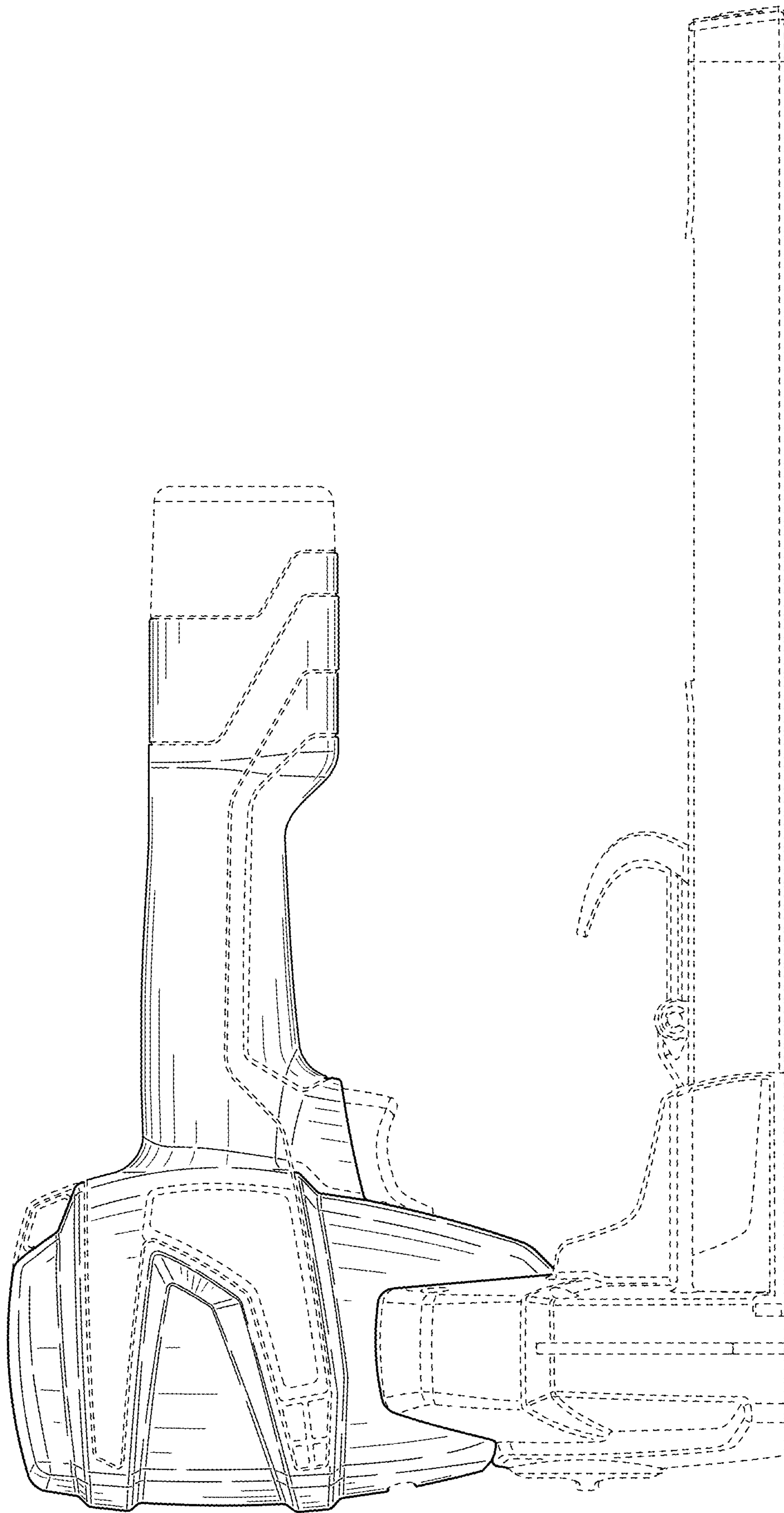


FIG. 7

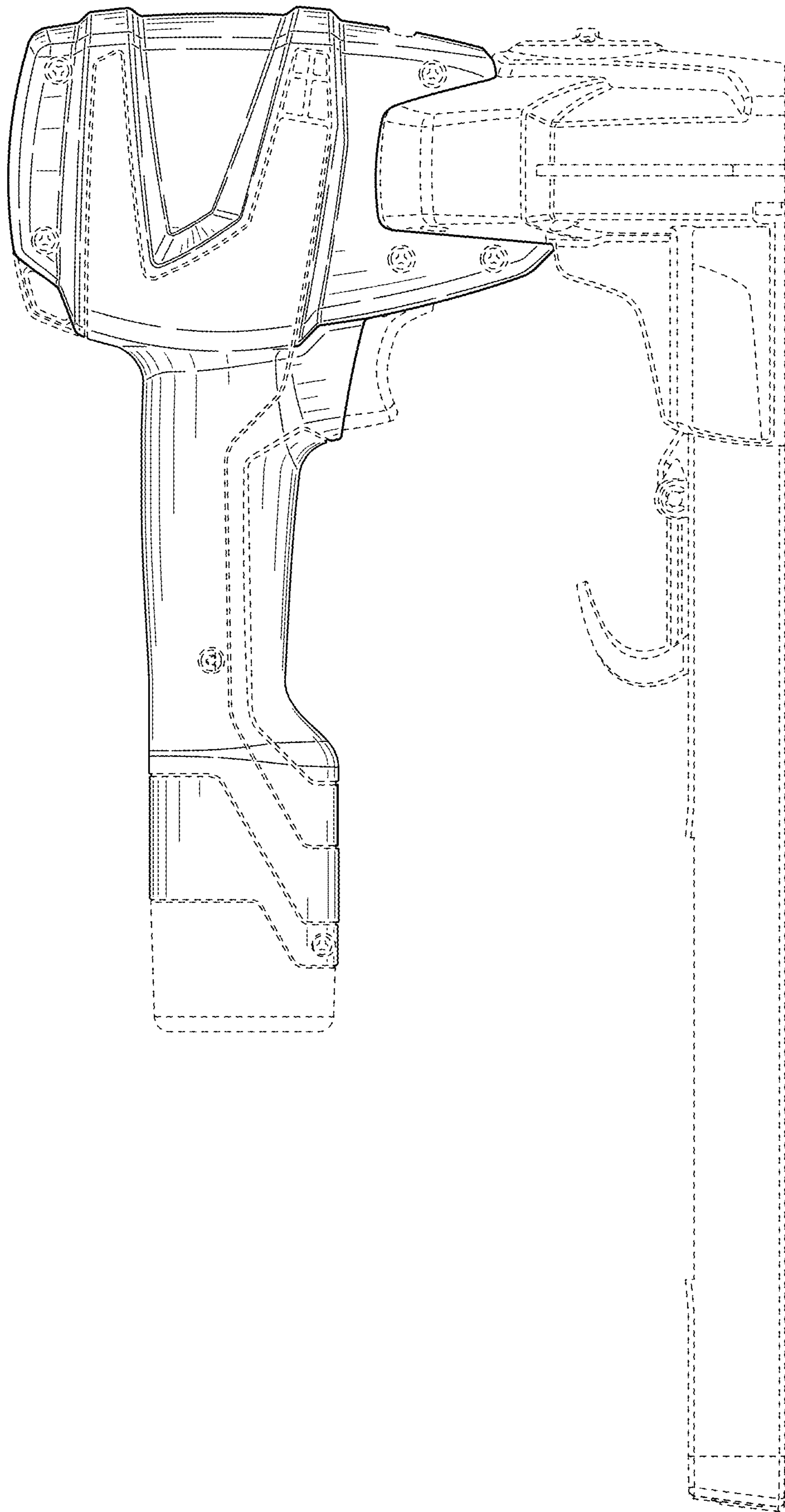


FIG. 8

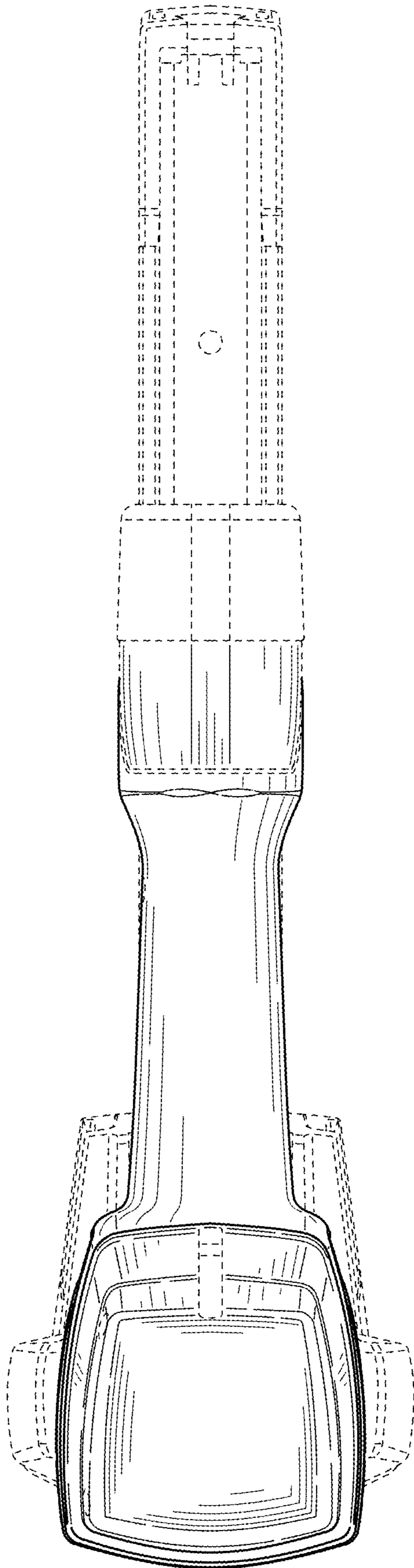


FIG. 9

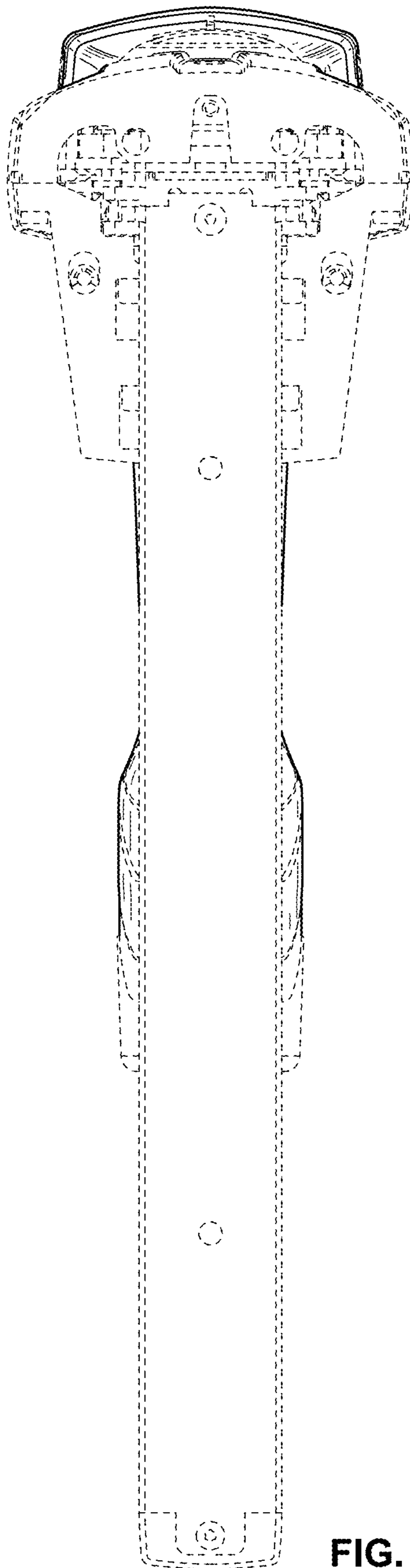


FIG. 10