



US00D897798S

(12) **United States Design Patent** (10) **Patent No.:** **US D897,798 S**  
**Cao** (45) **Date of Patent:** **\*\* Oct. 6, 2020**

- (54) **ANGLE GRINDER**
- (71) Applicant: **Positec Power Tools (Suzhou) Co., Ltd.**, Suzhou, Jiangsu (CN)
- (72) Inventor: **Yifei Cao**, Jiangsu (CN)
- (73) Assignee: **Positec Power Tools (Suzhou) Co., Ltd.**, Suzhou (CN)
- (\*\*) Term: **15 Years**
- (21) Appl. No.: **29/680,083**
- (22) Filed: **Feb. 13, 2019**

D700,031 S *	2/2014	Aglassinger	.....	D8/62
D707,515 S *	6/2014	Trochum	.....	D8/62
D741,132 S *	10/2015	Wasielowski	.....	D8/62
D813,631 S *	3/2018	Croghan	.....	D8/62
9,962,807 B2 *	5/2018	Klee	.....	B23Q 11/0085
2016/0199958 A1	7/2016	Wolperding et al.		

**FOREIGN PATENT DOCUMENTS**

CN	302658460 S	7/2013
DE	102015217093	9/2015
EM	0027046010005 S	5/2015
EM	0027046010006 S	5/2015
EM	0027046010009 S	5/2015
EM	0027046010012 S	5/2015
EM	3027046010010 S	5/2015

\* cited by examiner

*Primary Examiner* — Austin Murphy

(74) *Attorney, Agent, or Firm* — Middleton Reutlinger

(30) **Foreign Application Priority Data**

Aug. 14, 2018 (CN) ..... 2018 3 0448411

- (51) **LOC (12) Cl.** ..... **08-03**
- (52) **U.S. Cl.**  
USPC ..... **D8/62**

(58) **Field of Classification Search**

USPC .... D8/69, 68, 67, 66, 64, 61, 70; 83/698.41,  
83/747, 166.3, 374, 373, 375, 376, 391,  
83/377, 390, 388, 389; 125/13.01;  
144/218; D21/532  
CPC ..... B24B 23/028; B24B 47/12; B24B 7/186;  
B25F 5/001; B25F 5/02  
See application file for complete search history.

(56) **References Cited**

**U.S. PATENT DOCUMENTS**

D521,334 S *	5/2006	Chen	.....	D8/62
D524,618 S *	7/2006	Goto	.....	D8/62
D553,929 S *	10/2007	Chen	.....	D8/61

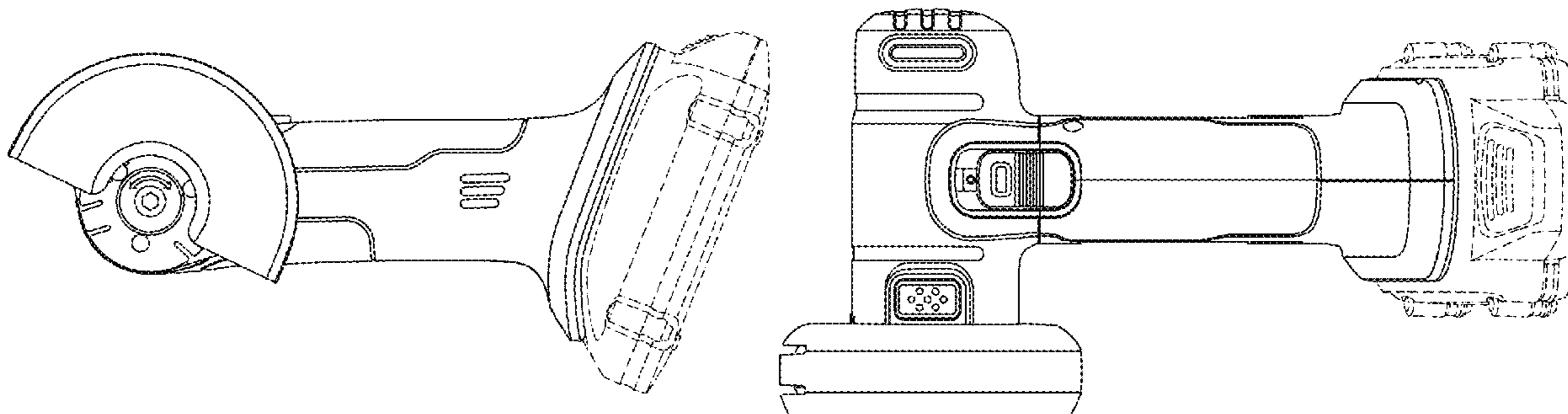
(57) **CLAIM**

The ornamental design for an angle grinder, as shown and described.

**DESCRIPTION**

FIG. 1 is a perspective view of an angle grinder in accordance with an embodiment of the present invention; FIG. 2 is a left view of the angle grinder of FIG. 1; FIG. 3 is a right view of the angle grinder of FIG. 1; FIG. 4 is a front view of the angle grinder of FIG. 1; FIG. 5 is a rear view of the angle grinder of FIG. 1; FIG. 6 is a top view of the angle grinder of FIG. 1; and, FIG. 7 is a bottom view of the angle grinder of FIG. 1. The broken lines shown in the drawings are included for the purpose of illustrating the unclaimed portions of an angle grinder. The broken lines form no part of the claimed design.

**1 Claim, 4 Drawing Sheets**



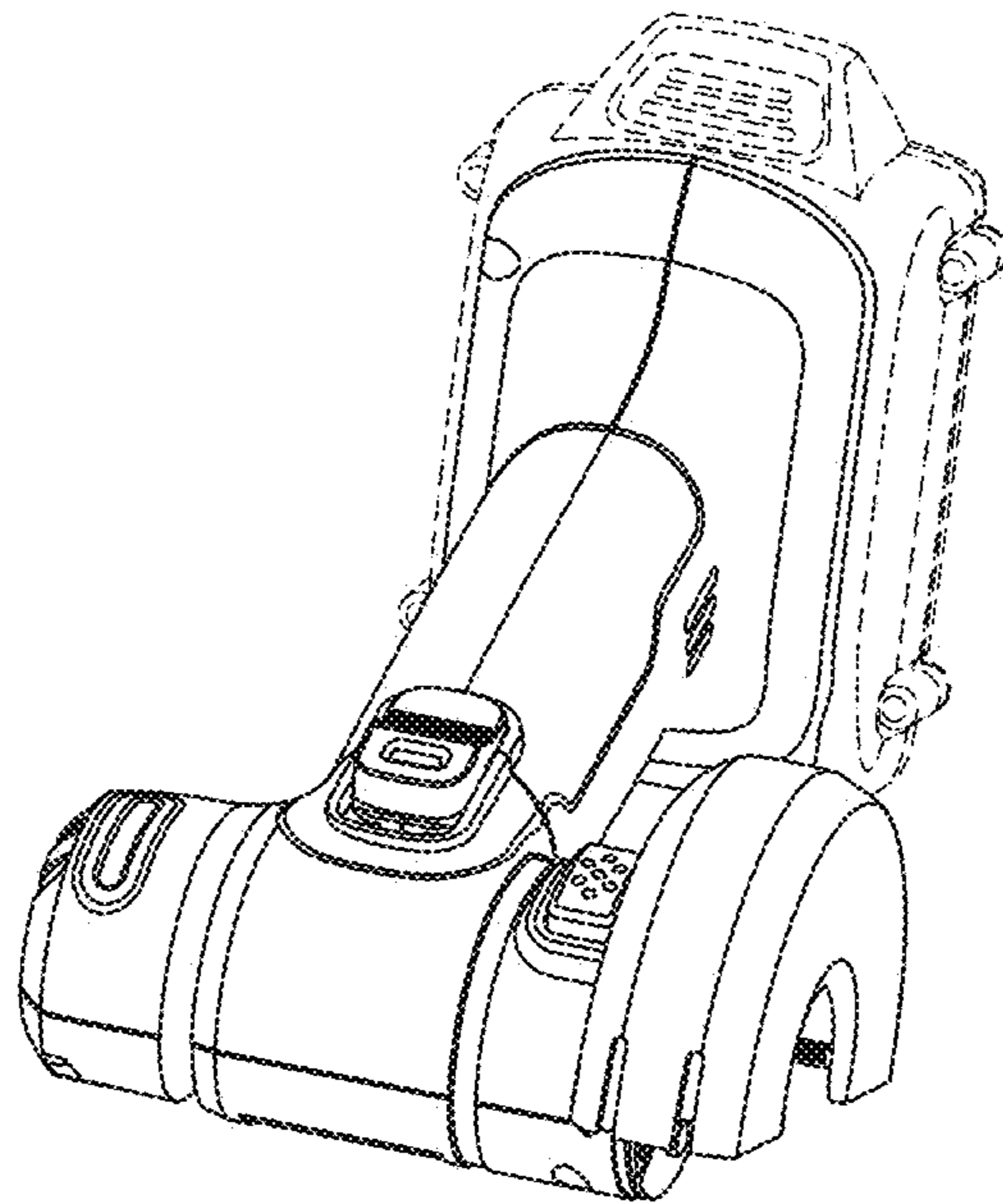


FIG. 1

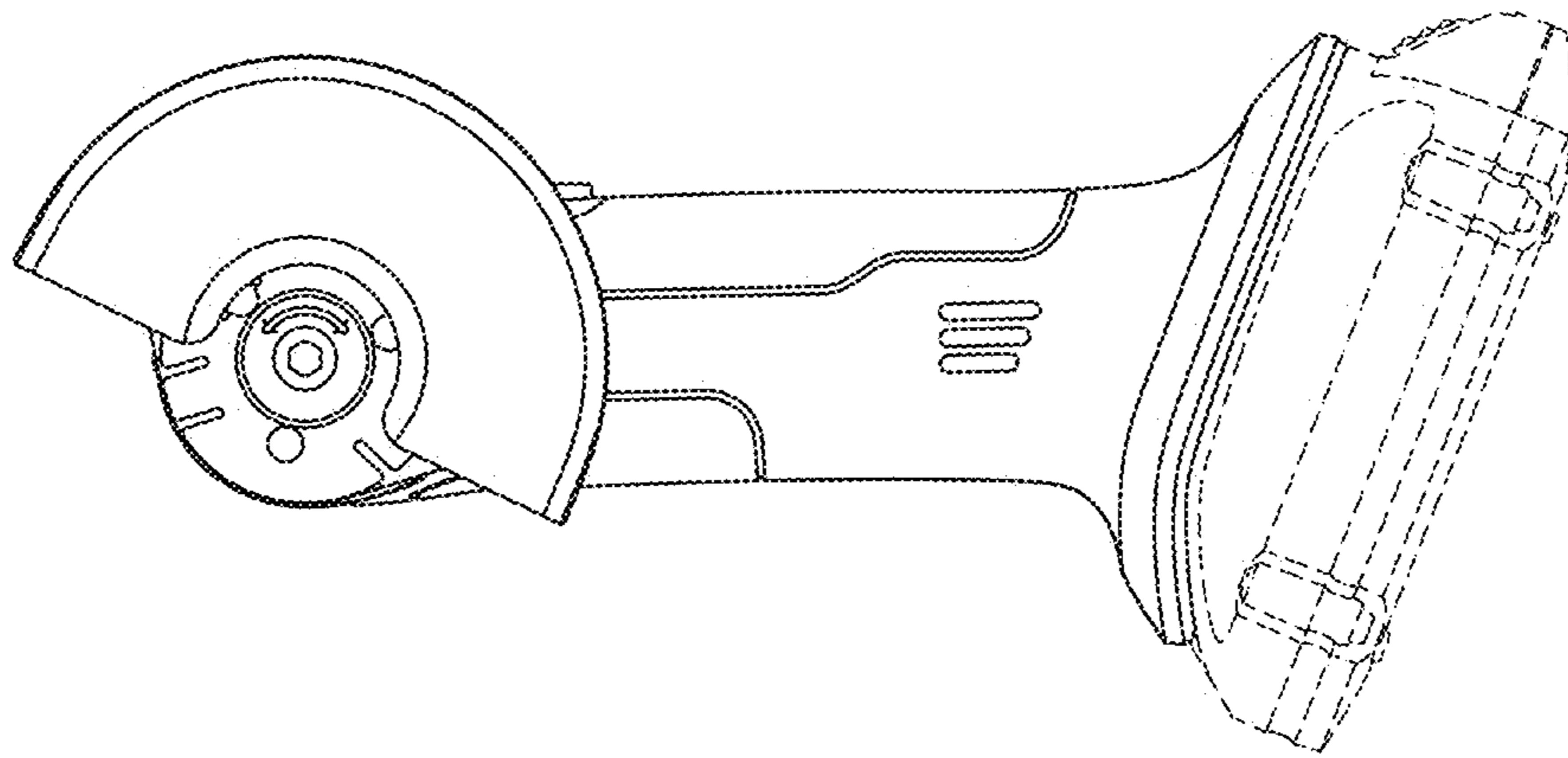


FIG. 2

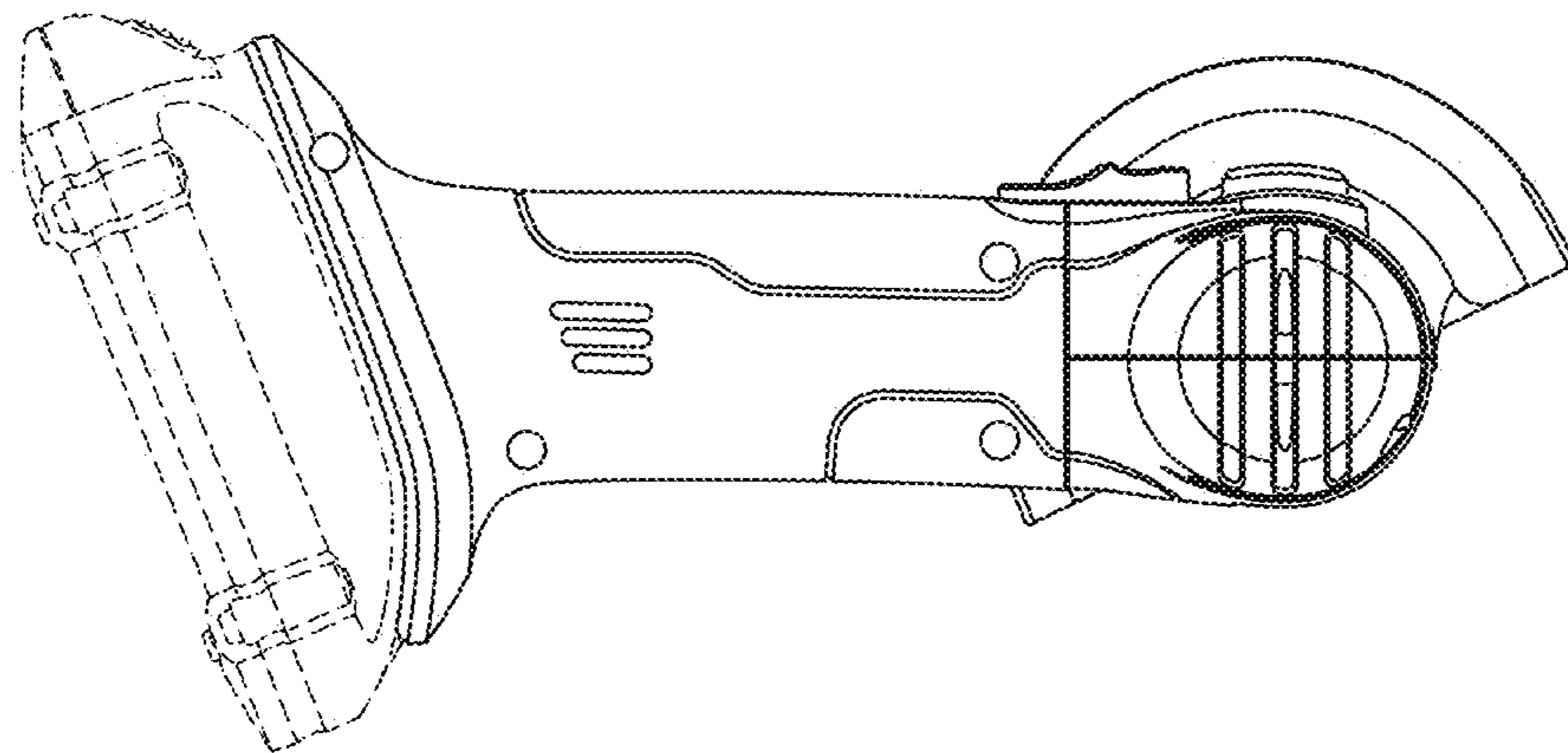


FIG. 3

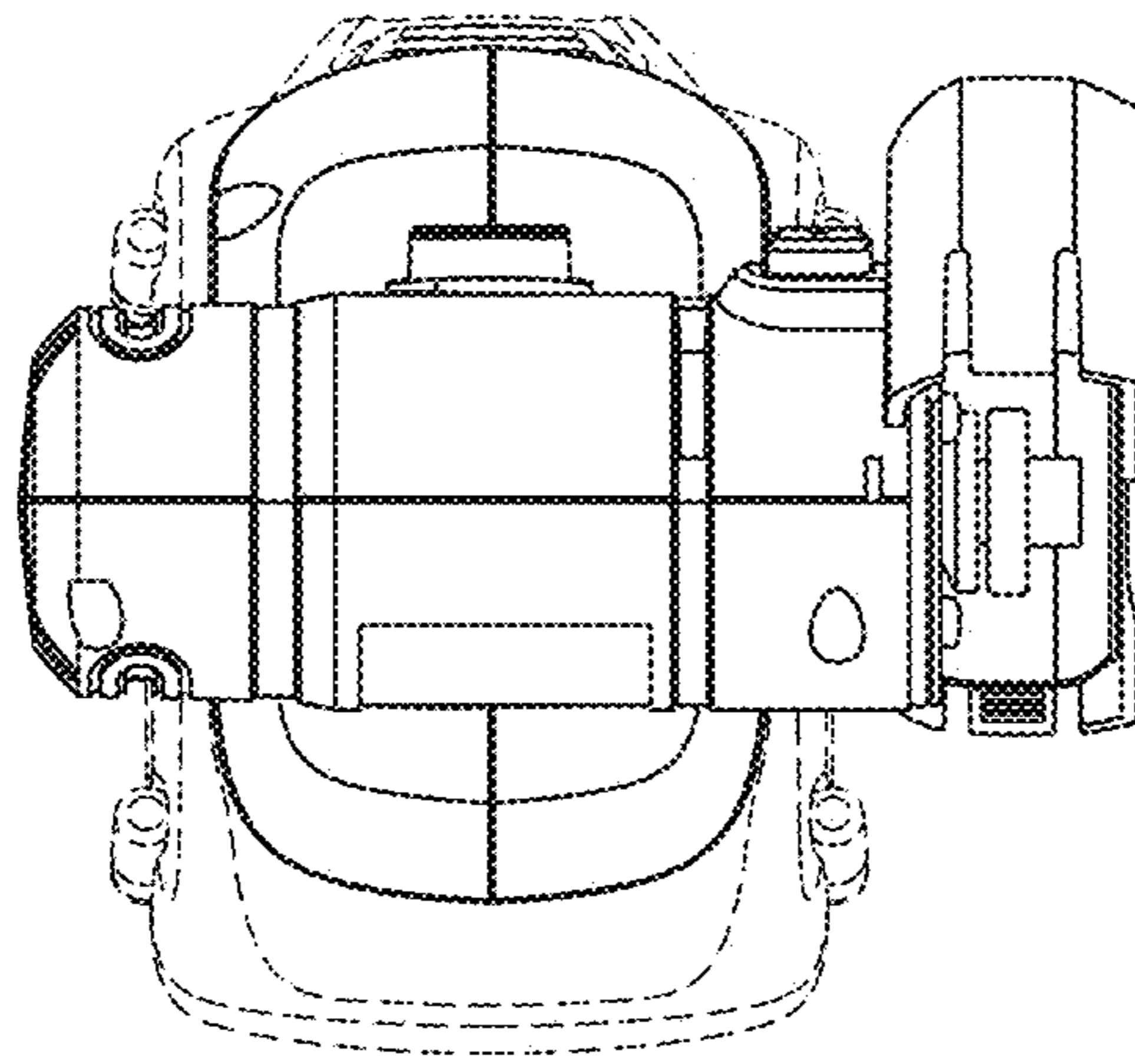


FIG. 4

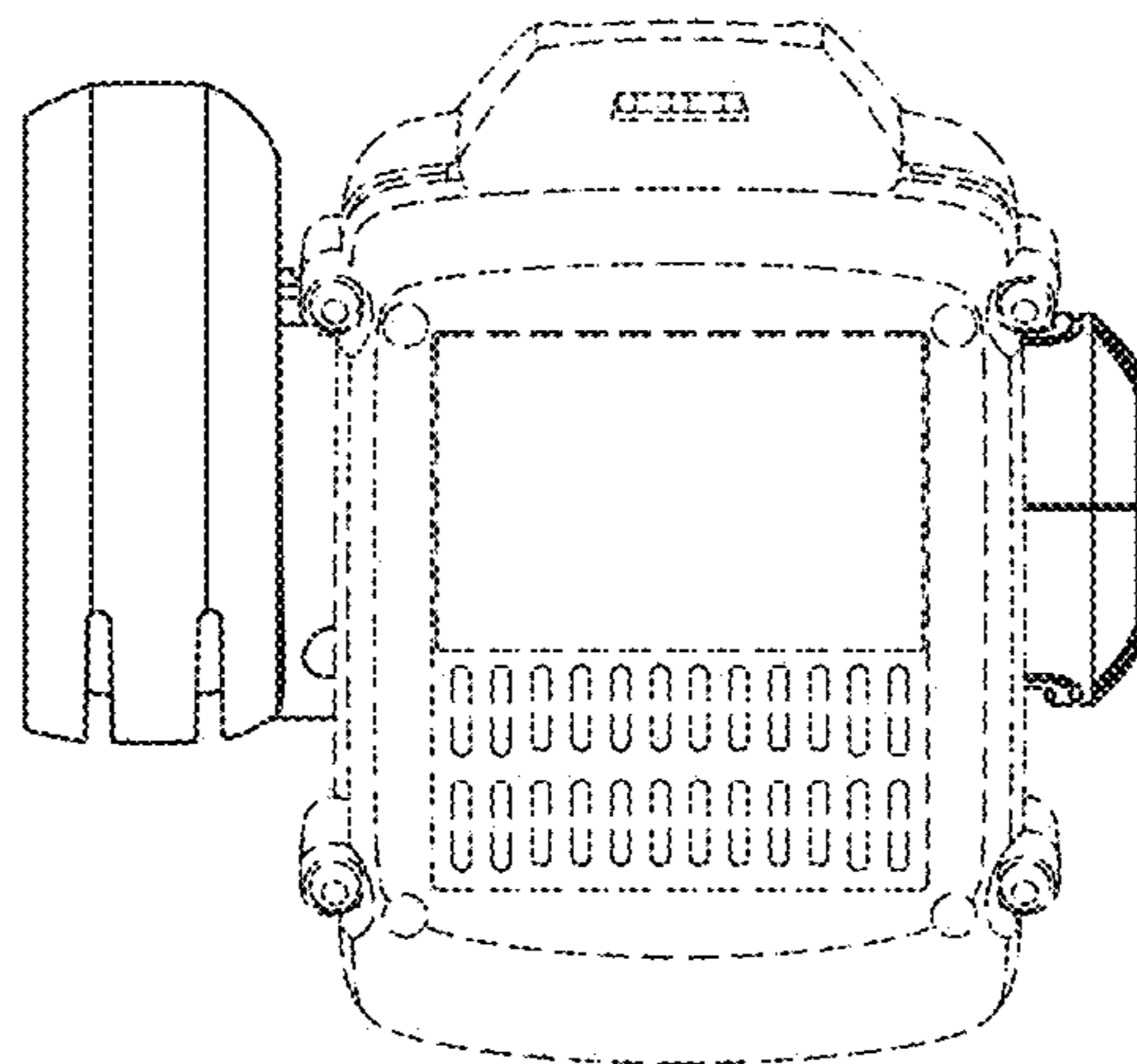


FIG. 5

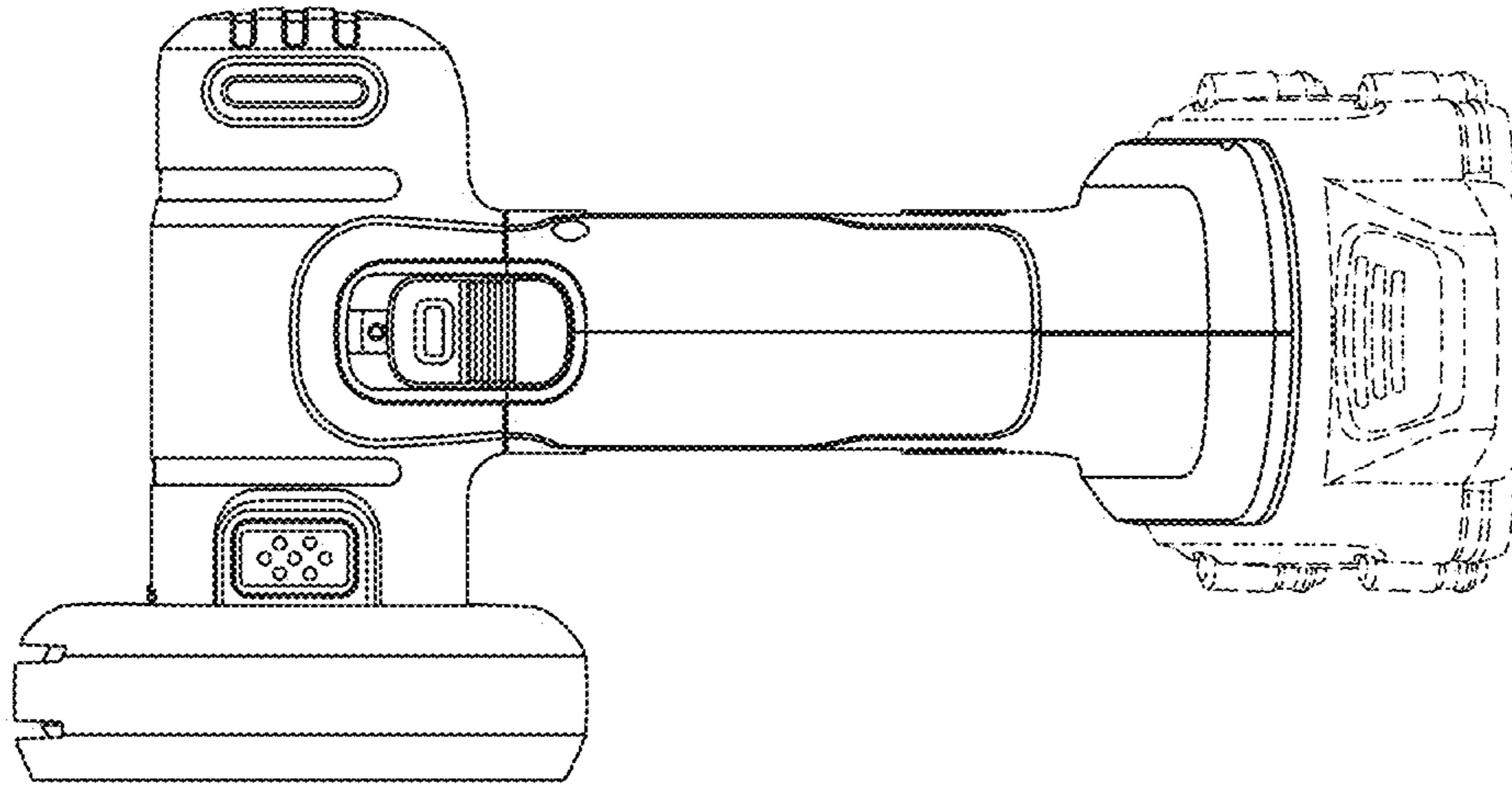


FIG. 6

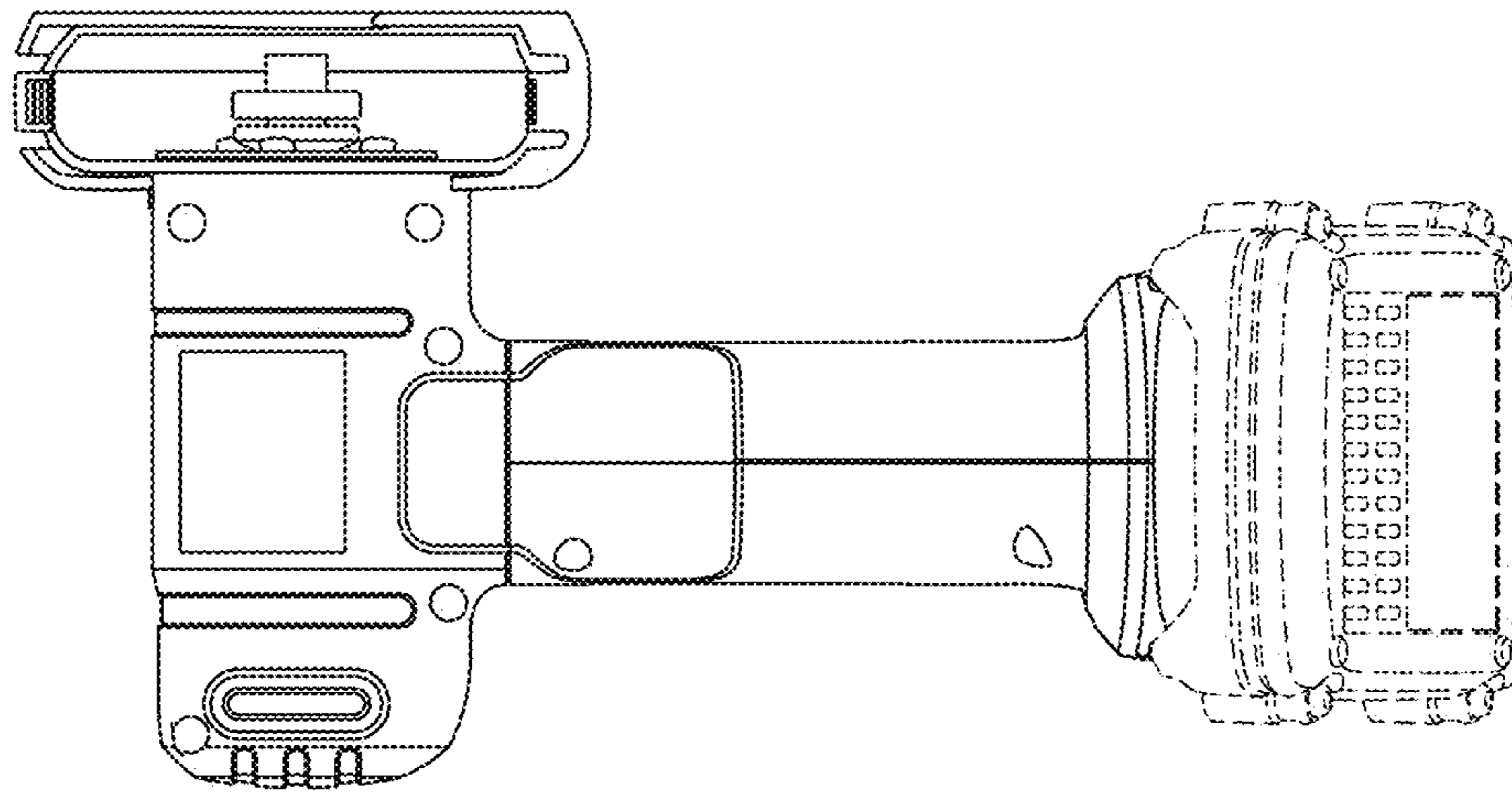


FIG. 7