



US00D897796S

(12) **United States Design Patent**
Wang

(10) **Patent No.:** **US D897,796 S**

(45) **Date of Patent:** **** Oct. 6, 2020**

- (54) **HOT MELTING GLUE GUN**
- (71) Applicant: **Desheng Wang**, Shenzhen (CN)
- (72) Inventor: **Desheng Wang**, Shenzhen (CN)
- (**) Term: **15 Years**
- (21) Appl. No.: **29/735,976**
- (22) Filed: **May 27, 2020**
- (51) **LOC (12) Cl.** **08-05**
- (52) **U.S. Cl.**
USPC **D8/30**
- (58) **Field of Classification Search**
USPC D8/29.1, 29.2, 30
CPC B05C 17/0053; B05C 17/00546; B05C
17/00526; B05C 17/01
See application file for complete search history.

7,775,403 B2 * 8/2010 Monfeli B25F 5/02
222/173
D671,385 S * 11/2012 Yung-Kuan D8/30
D809,884 S * 2/2018 Huang D8/30
D870,525 S 12/2019 Zhang

* cited by examiner

Primary Examiner — Philip S Hyder

(57) **CLAIM**

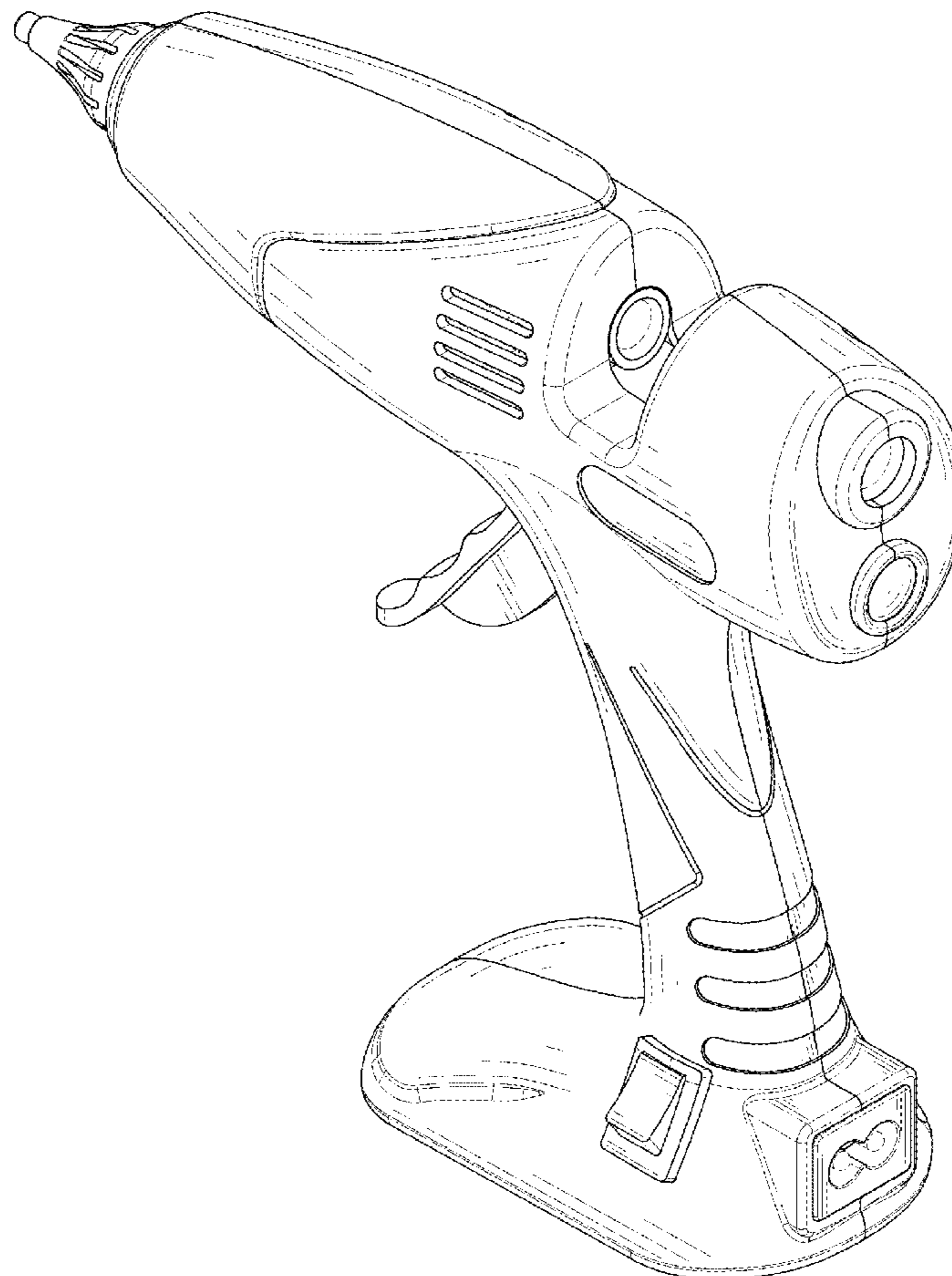
The ornamental design for a hot melting glue gun, as shown and described.

DESCRIPTION

FIG. 1 is a front and top perspective view of a hot melting glue gun, showing my new design;
 FIG. 2 is a rear and bottom perspective view thereof;
 FIG. 3 is a front elevational view thereof;
 FIG. 4 is a rear elevational view thereof;
 FIG. 5 is a left side elevational view thereof;
 FIG. 6 is a right side elevational view thereof;
 FIG. 7 is a top plan view thereof; and,
 FIG. 8 is a bottom plan view thereof.
 The broken lines in the figures illustrate portions of the article that form no part of the claimed design.

- (56) **References Cited**
U.S. PATENT DOCUMENTS
D404,622 S * 1/1999 Singleton D8/29.1
6,105,824 A * 8/2000 Singleton B05C 17/0053
219/221
D514,406 S * 2/2006 Lee D8/30
D535,167 S * 1/2007 Monfeli D8/14.1
D576,458 S * 9/2008 Arns D8/30

1 Claim, 8 Drawing Sheets



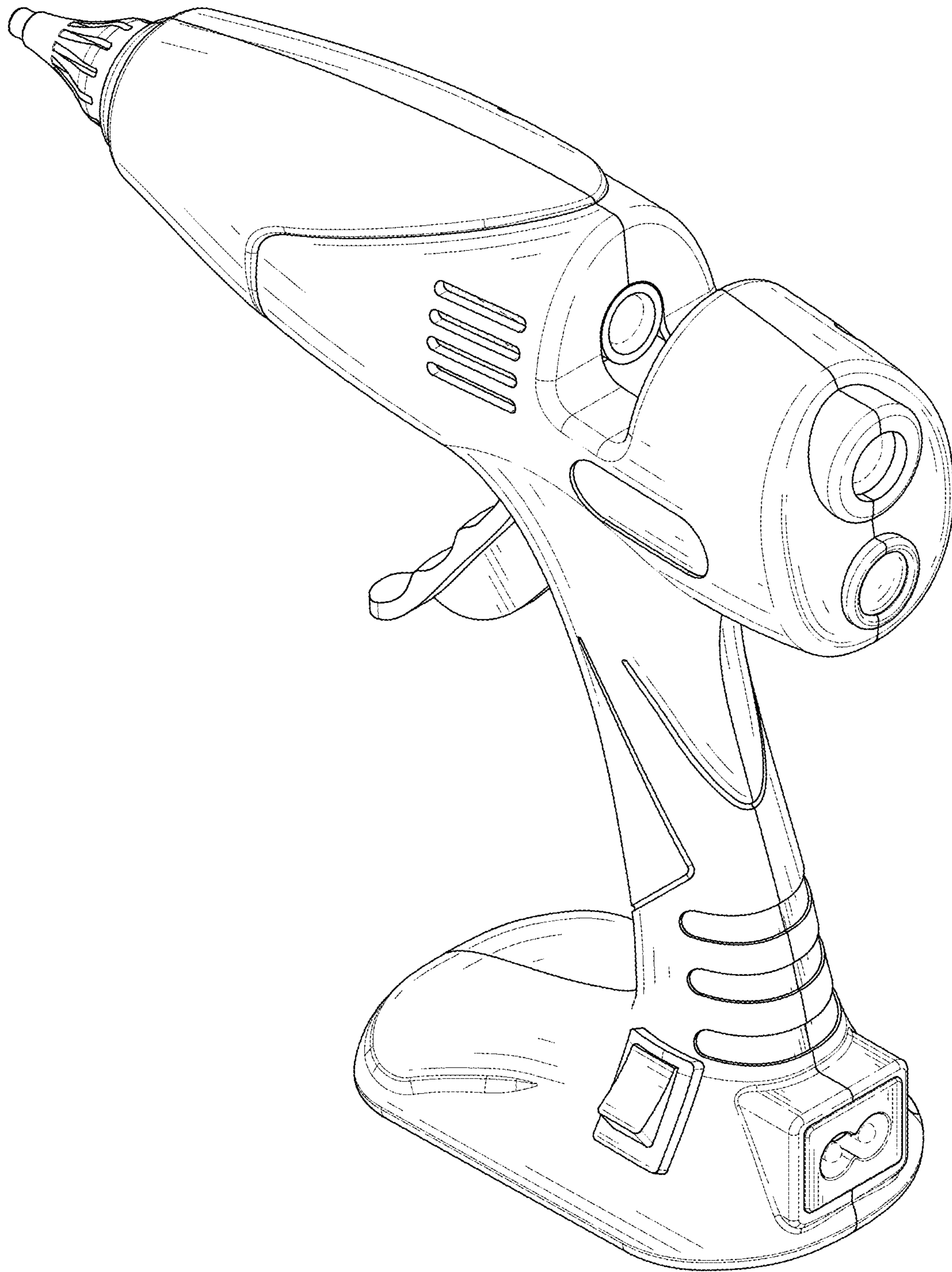


FIG. 1

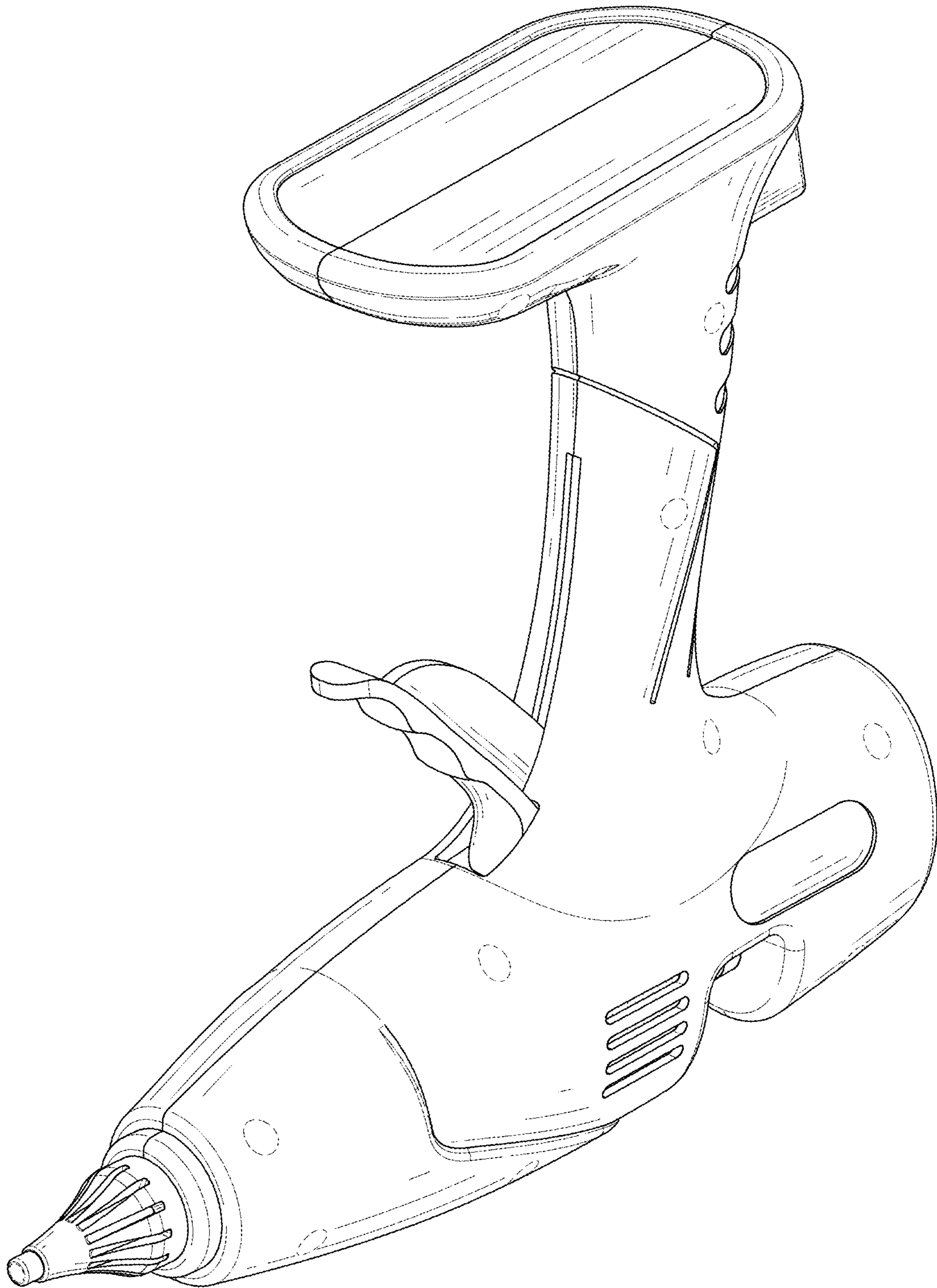


FIG. 2

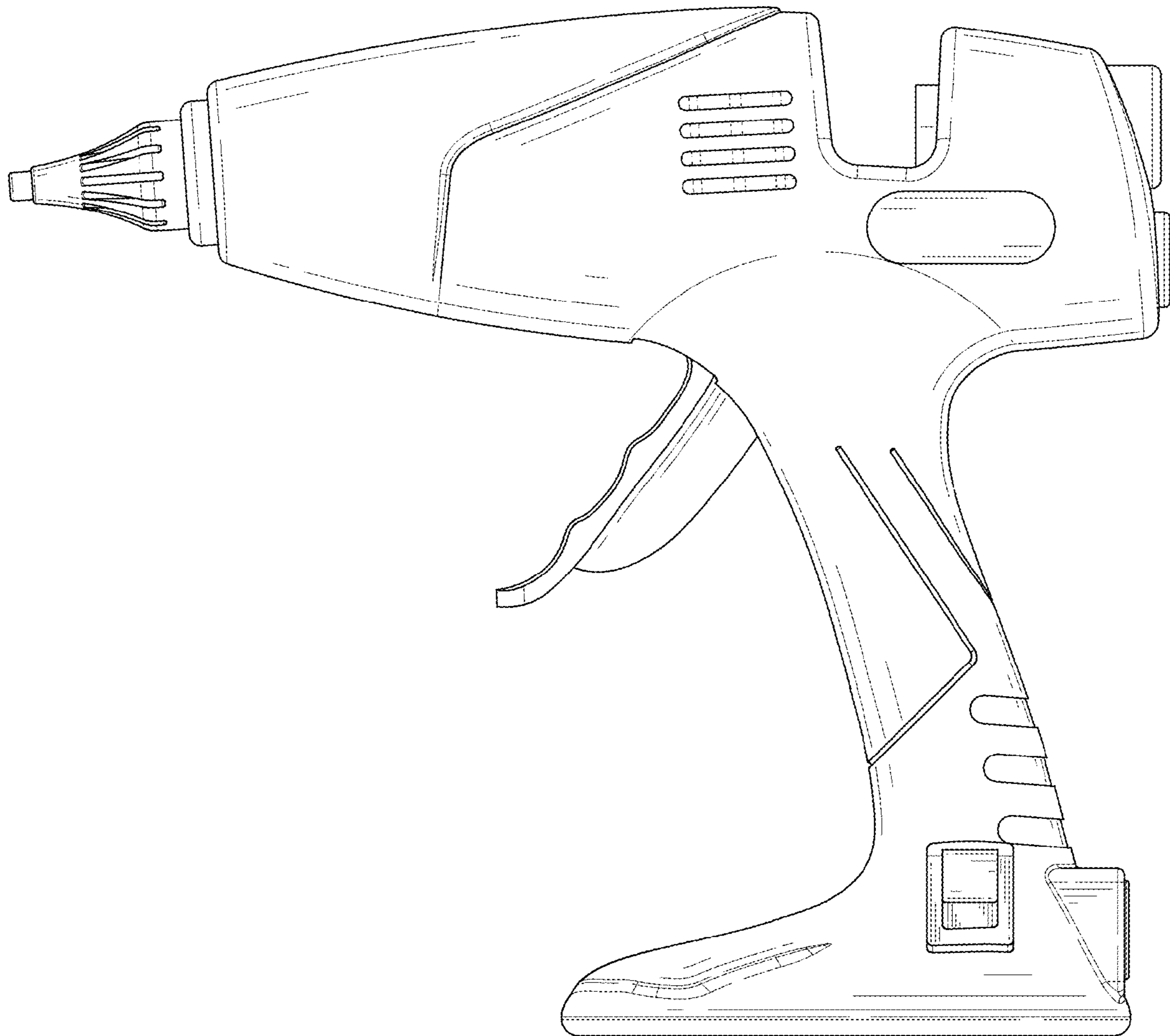


FIG. 3

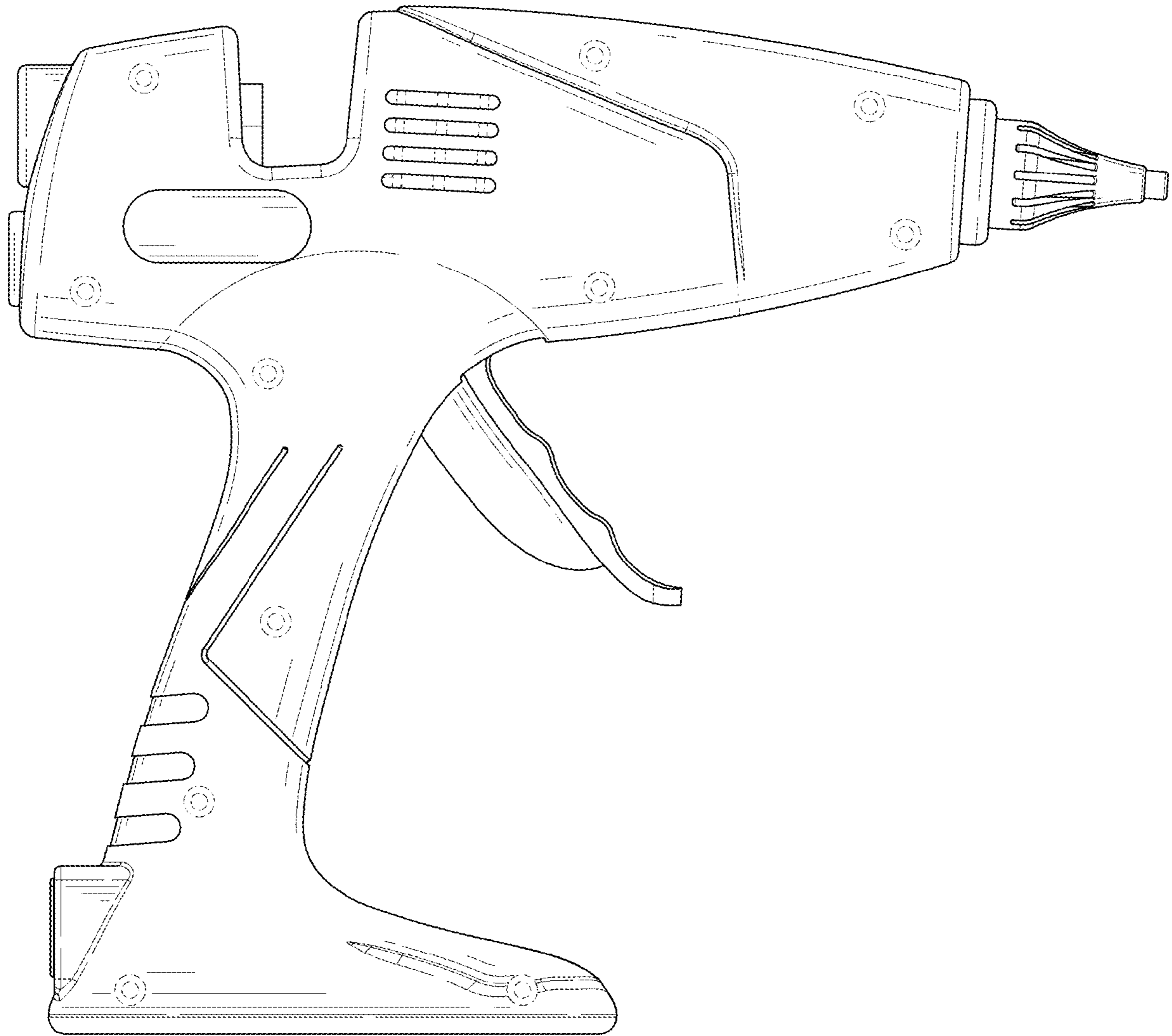


FIG. 4

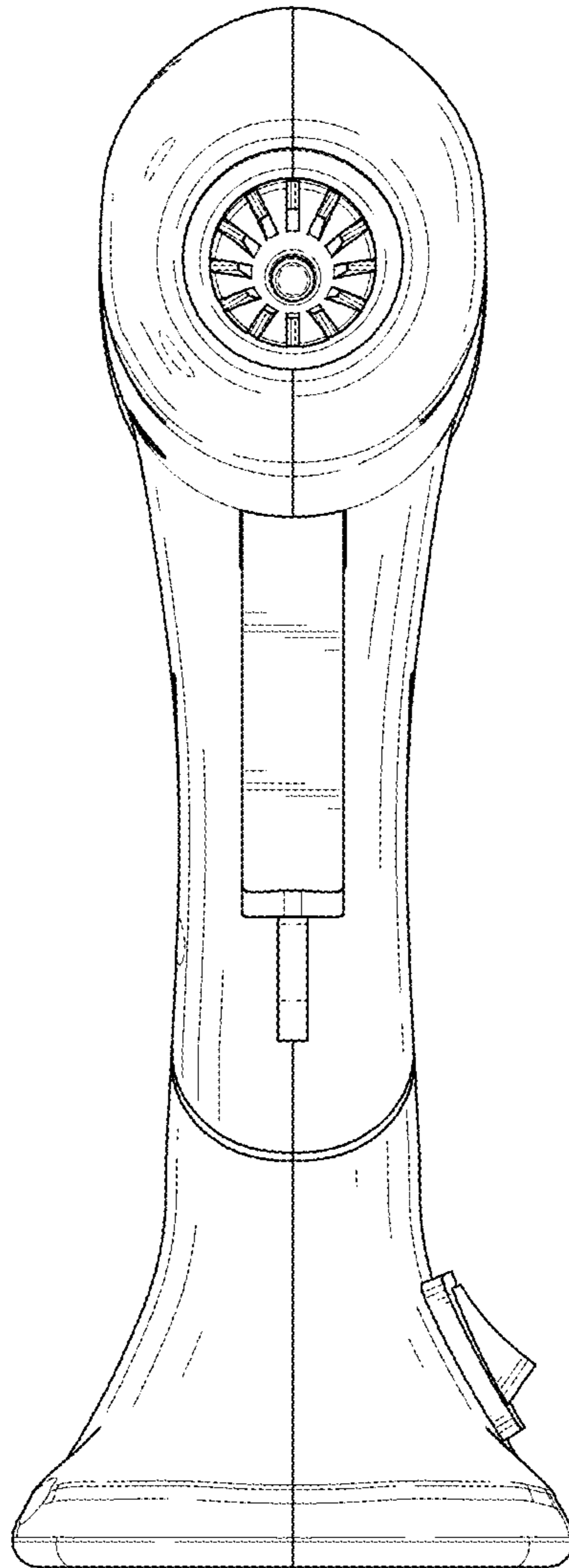


FIG. 5

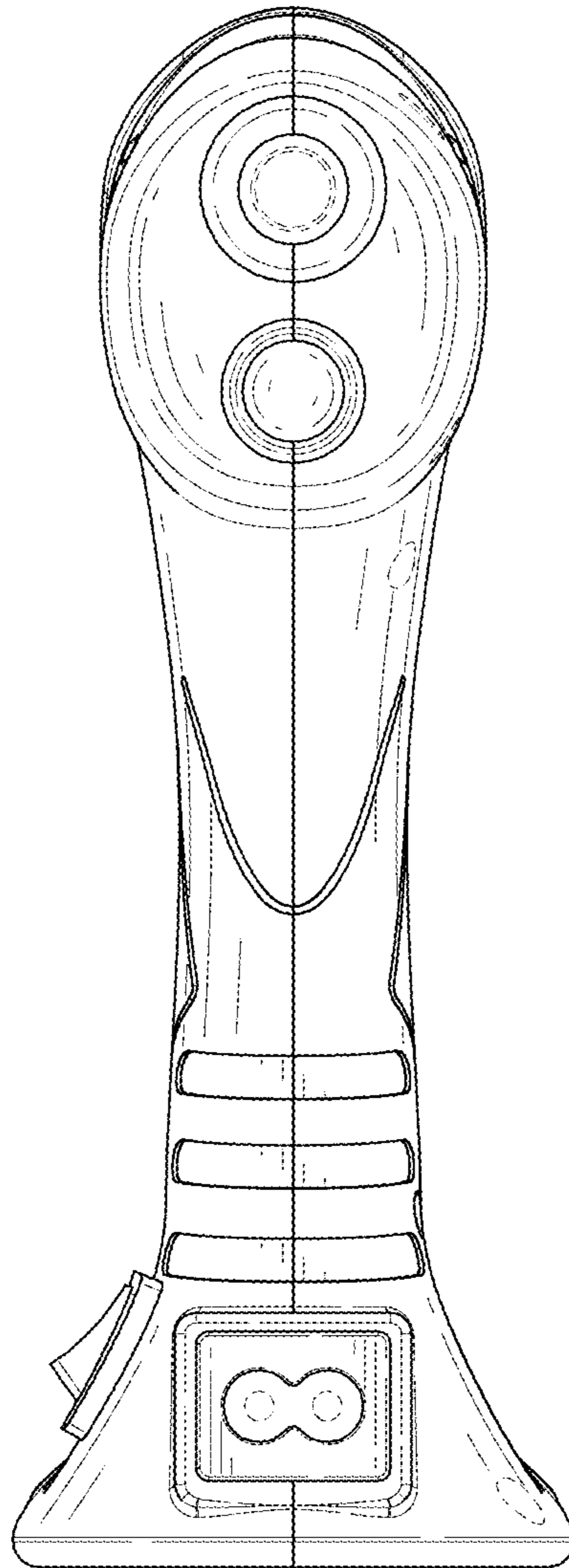


FIG. 6

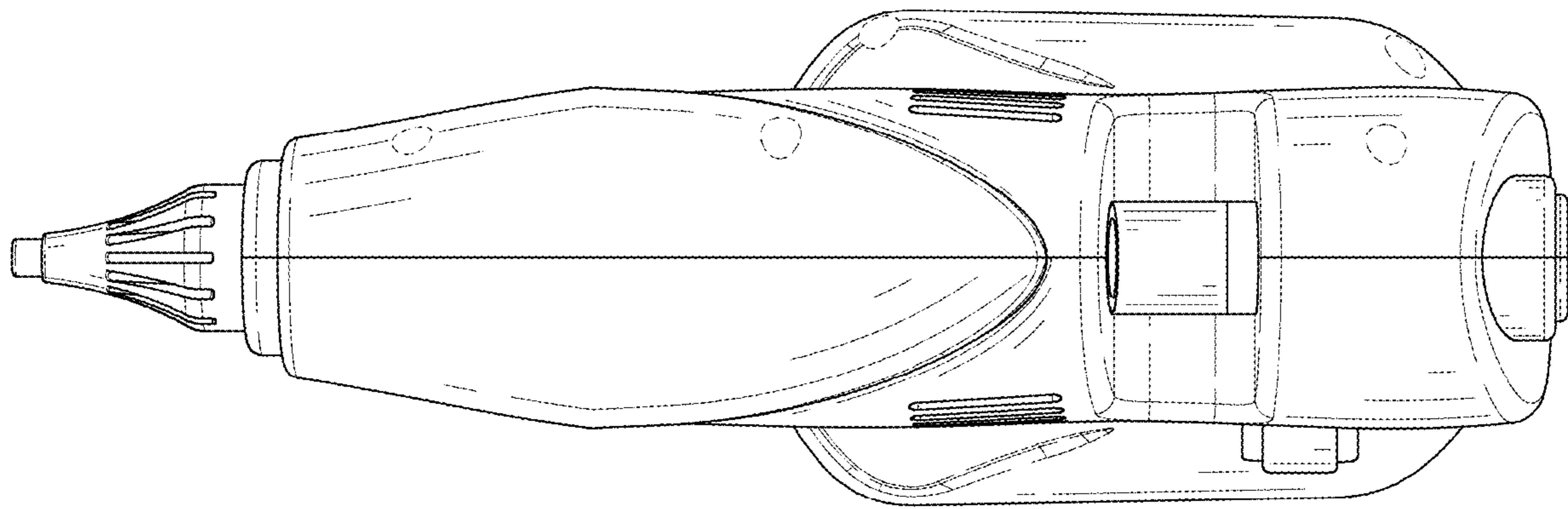


FIG. 7

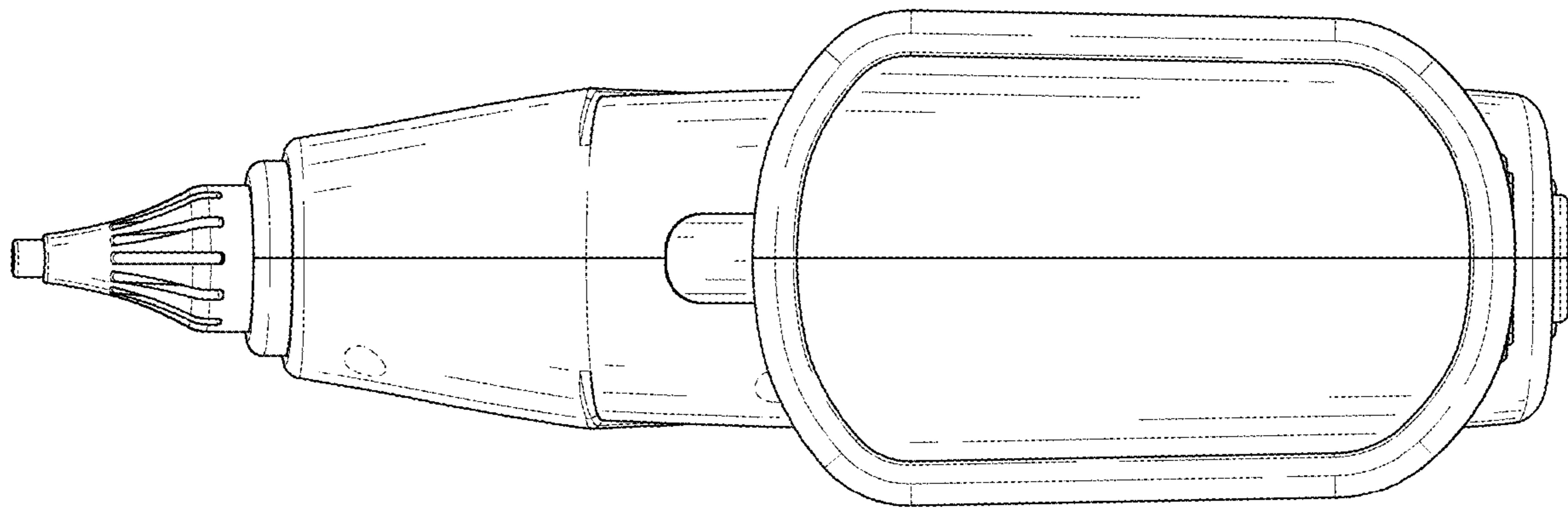


FIG. 8