



US00D897794S

(12) **United States Design Patent**
Roberto et al.

(10) **Patent No.:** **US D897,794 S**

(45) **Date of Patent:** **** Oct. 6, 2020**

(54) **STUD REMOVAL DEVICE**

(71) Applicant: **LES ENTREPRISES EZ STUD OUT INC., Montreal (CA)**

(72) Inventors: **Marco Roberto, Montreal (CA); Carlo Roberto, Montreal (CA)**

(73) Assignee: **Gestion roberto inc., Montréal (CA)**

(**) Term: **15 Years**

(21) Appl. No.: **29/691,428**

(22) Filed: **May 16, 2019**

(30) **Foreign Application Priority Data**

Nov. 21, 2018 (EM) 005830882-0001

(51) **LOC (12) Cl.** **08-05**

(52) **U.S. Cl.**
USPC **D8/14**

(58) **Field of Classification Search**
USPC D8/14, 21, 26, 27, 28, 349, 354;
D21/694

CPC B25B 27/18
See application file for complete search history.

(56) **References Cited**

U.S. PATENT DOCUMENTS

D315,935 S * 4/1991 Wilson 482/129
D315,936 S * 4/1991 Wilson 482/129
5,135,216 A * 8/1992 Bingham A63B 21/05
267/69
D334,122 S * 3/1993 Bang D8/21
D496,570 S * 9/2004 Wolf D8/18

D514,403 S * 2/2006 Wolf D8/21
D546,649 S * 7/2007 Jennings D8/21
D557,575 S * 12/2007 Jennings D8/27
D619,435 S * 7/2010 Navas D8/27
D689,351 S * 9/2013 Webb, Jr. D8/17
D805,868 S * 12/2017 Seiders D8/40
2019/0091787 A1* 3/2019 Roberto B23K 9/0026

* cited by examiner

Primary Examiner — Philip S Hyder

(74) *Attorney, Agent, or Firm* — Benoit & Cote, Inc.; C. Marc Benoit

(57) **CLAIM**

We claim the ornamental design for a stud removal device, as shown and described.

DESCRIPTION

FIG. 1 is a perspective view from the top of our ornamental design of the stud removal device;

FIG. 2 is a perspective view from the bottom of the stud removal device of FIG. 1;

FIG. 3 is a front elevation view of the stud removal device of FIG. 1;

FIG. 4 is a rear elevation view of the stud removal device of FIG. 1;

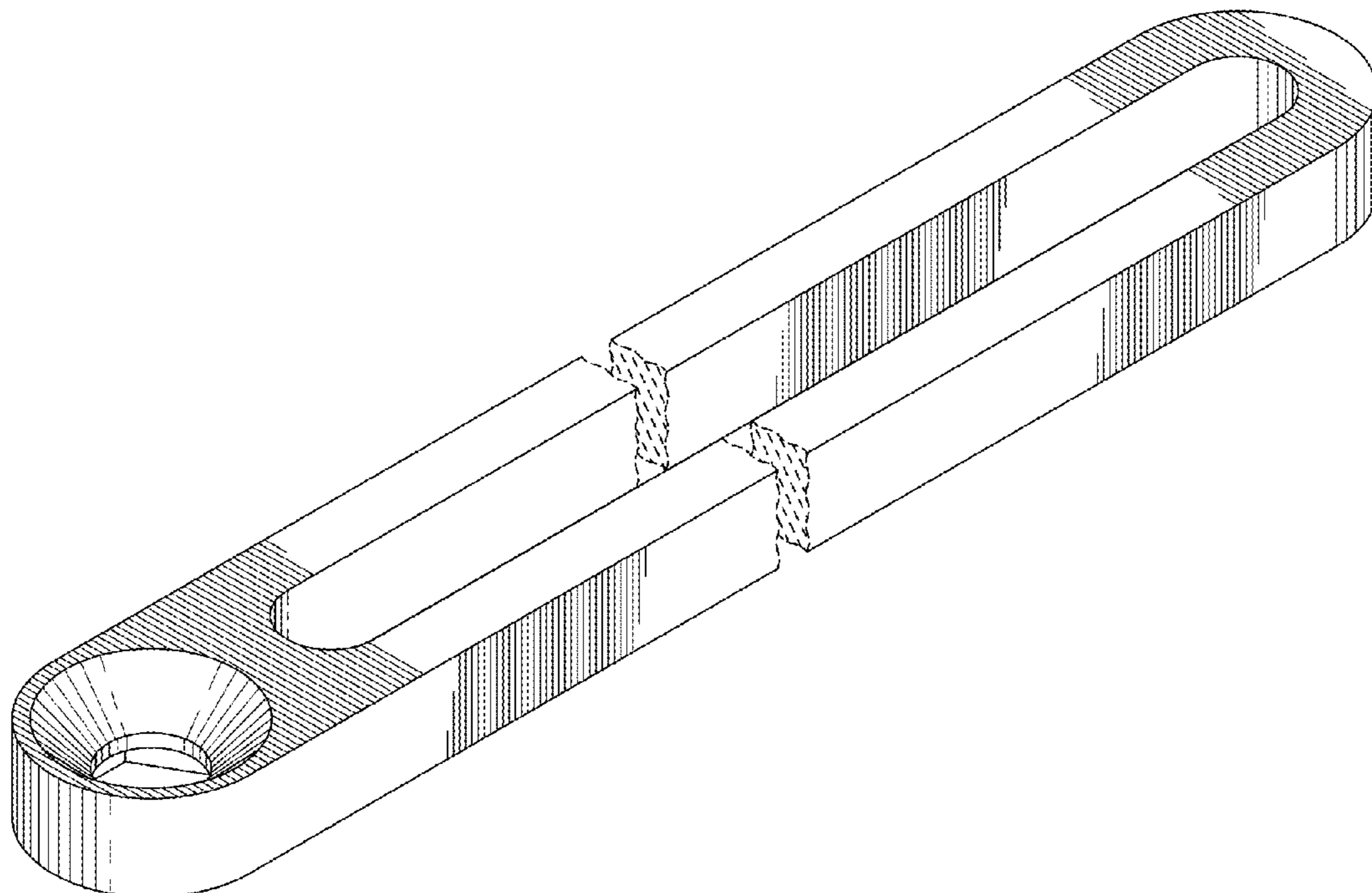
FIG. 5 is a side elevation view of the stud removal device of FIG. 1;

FIG. 6 is a top plan view of the stud removal device of FIG. 1; and,

FIG. 7 is a bottom plan view of the stud removal device of FIG. 1.

The broken lines depict portions of the stud remover device in which the design is embodied that are not considered part of the claimed design.

1 Claim, 4 Drawing Sheets



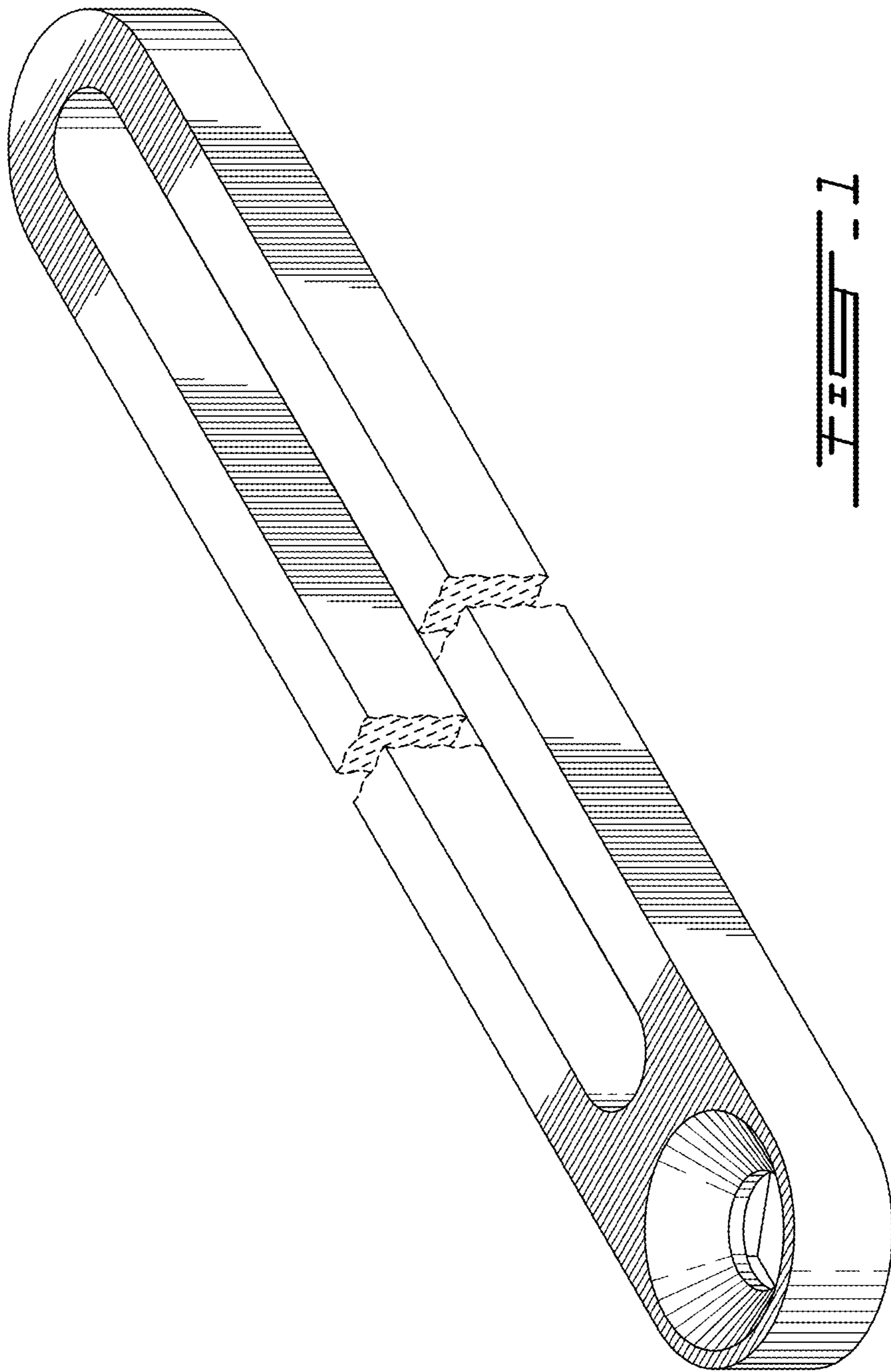


FIG. 1

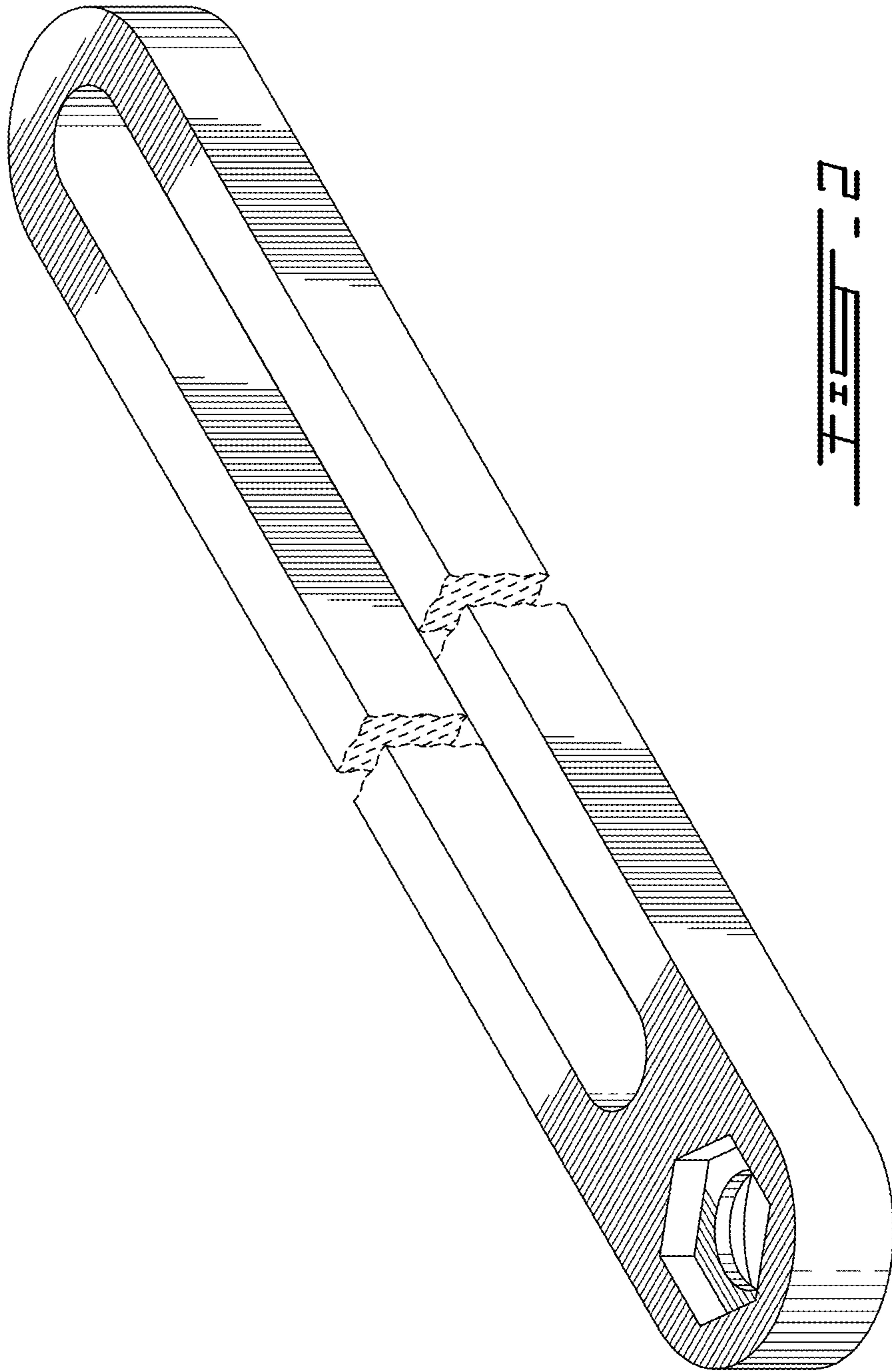


FIG. 2

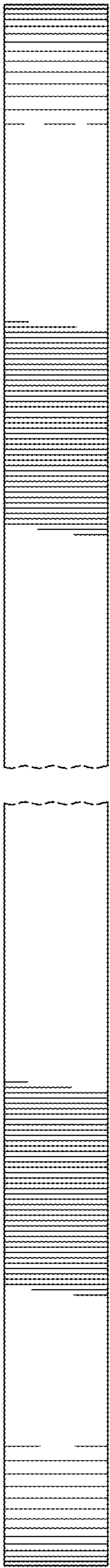


FIG. 3

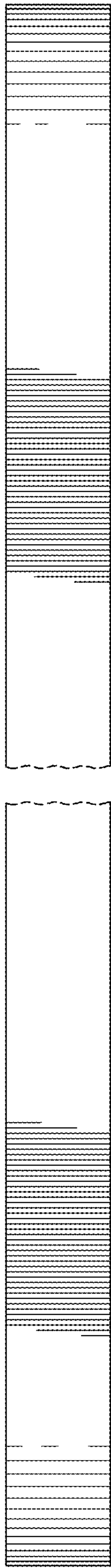


FIG. 4

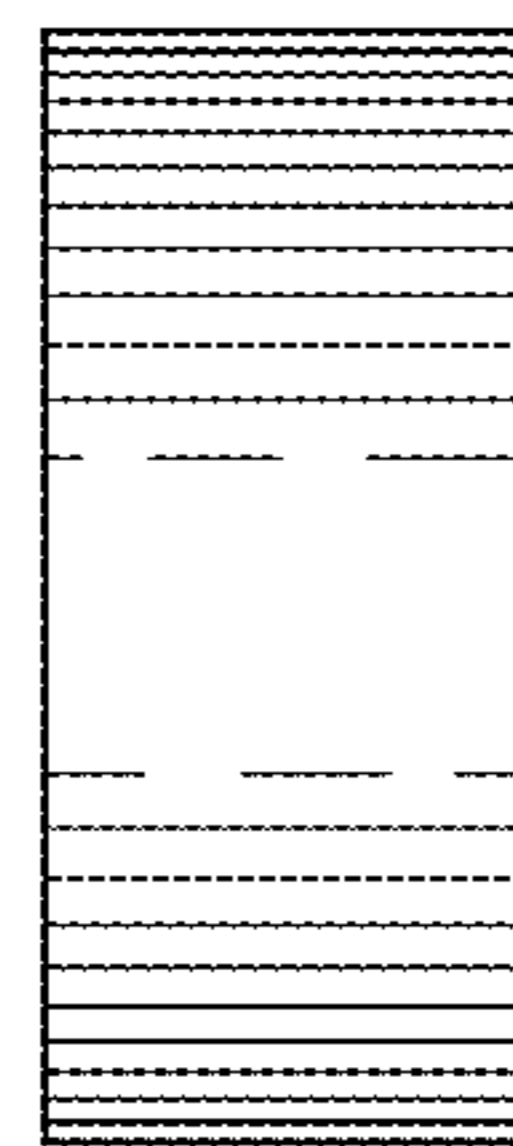


FIG. 5

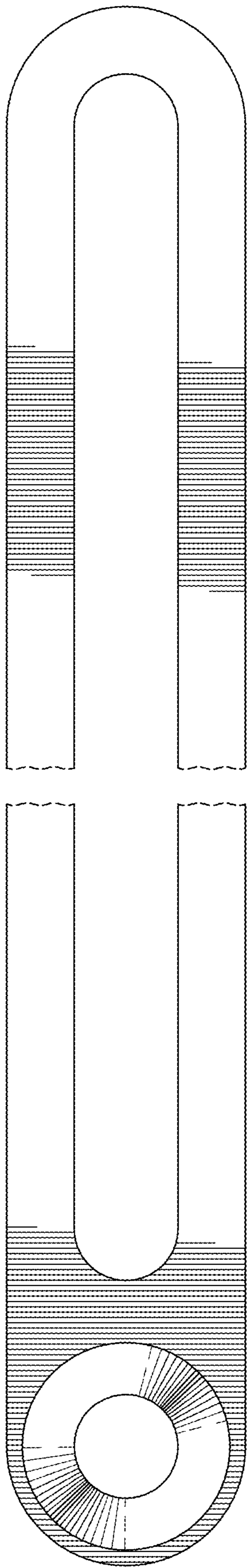


FIG. 6

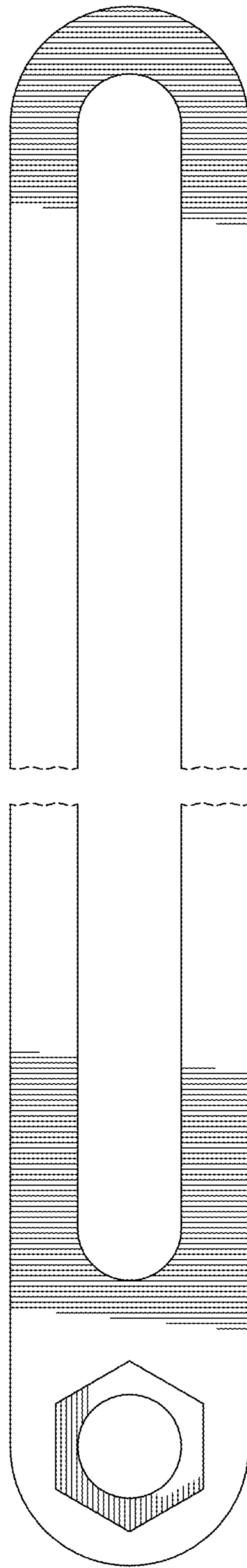


FIG. 7