



US00D897791S

(12) **United States Design Patent**
Wesley

(10) **Patent No.:** **US D897,791 S**

(45) **Date of Patent:** **** Oct. 6, 2020**

(54) **MULTIPLE CUP DRINK HOLDER**

(71) Applicant: **Patrick Wesley**, Cleveland, OH (US)

(72) Inventor: **Patrick Wesley**, Cleveland, OH (US)

(**) Term: **15 Years**

(21) Appl. No.: **29/687,837**

(22) Filed: **Apr. 16, 2019**

(51) **LOC (12) Cl.** **07-07**

(52) **U.S. Cl.**
USPC **D7/701**

(58) **Field of Classification Search**
USPC D7/500, 584, 598, 602, 600.4, 601, 605,
D7/607, 608, 619.1, 620, 622, 624.1,
D7/624.2, 624.3, 701, 704; D9/740;
D12/133
CPC B60N 3/101; B60N 3/106; A47G 23/0208
See application file for complete search history.

(56) **References Cited**

U.S. PATENT DOCUMENTS

825,316	A *	7/1906	Harris	A47F 7/283 211/75
D219,058	S *	10/1970	Kaezur	D7/701
D272,486	S *	2/1984	Benedetti	D12/419
D322,512	S *	12/1991	Andrykovitz	D12/420
D330,513	S *	10/1992	Gilchrist	D3/284
D331,174	S *	11/1992	Polski	D7/621
D352,213	S	11/1994	Keven		
D353,082	S *	12/1994	Keven	D12/420
D407,306	S *	3/1999	Saab	D7/701
5,915,561	A	6/1999	Lorenzana		
D428,585	S *	7/2000	Birkenthal	D12/133
6,109,580	A	8/2000	Stern		
6,401,927	B1	6/2002	Sorensen		
6,732,990	B2	5/2004	Hudson		
8,550,550	B2	10/2013	Cassese		
D742,704	S *	11/2015	Park	D7/701

9,221,376	B2	12/2015	Baker		
9,365,146	B1 *	6/2016	Allen	F25D 31/005
10,343,576	B1 *	7/2019	Ortega Rojo	B60N 3/102
2006/0186283	A1 *	8/2006	Liu	B60N 3/106 248/154
2011/0261579	A1 *	10/2011	Anderson	B60N 3/108 362/551

(Continued)

OTHER PUBLICATIONS

Amazon.com, Polaris Ranger crew Abs plastic 3 cup drink holder, Earliest comment date Apr. 4, 2017, [site visited Jul. 9, 2020], Available on the Internet URL <https://www.amazon.com/Polaris-Ranger-plastic-drink-Holder/dp/B01706RN5C> (Year: 2017).*

Primary Examiner — Karen A Acker
Assistant Examiner — Steven B Reinholdt, Jr.

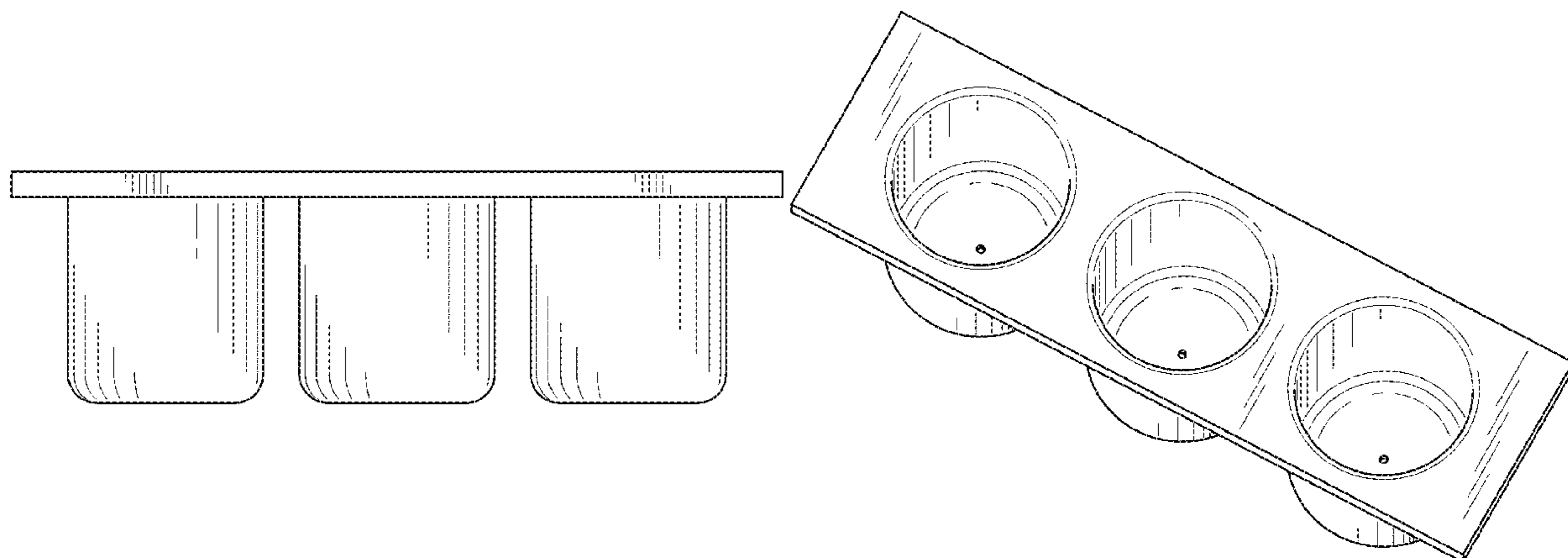
(57) **CLAIM**

The ornamental design for a multiple cup drink holder, as shown and described.

DESCRIPTION

FIG. 1 is a front view of a multiple cup drink holder showing my new design;
FIG. 2 is a rear view of the multiple cup drink holder;
FIG. 3 is a right side view of the multiple cup drink holder;
FIG. 4 is a left side view of the multiple cup drink holder;
FIG. 5 is a top view of the multiple cup drink holder;
FIG. 6 is a bottom view of the multiple cup drink holder;
FIG. 7 is a top front side perspective view of the multiple cup drink holder; and,
FIG. 8 is a top front side perspective view of the multiple cup drink holder in use.
The broken lines in FIG. 8 are illustrative of environmental structure forming no part of the claimed design.

1 Claim, 4 Drawing Sheets



(56)

References Cited

U.S. PATENT DOCUMENTS

2013/0256356 A1* 10/2013 Abro A47G 23/0208
224/571
2018/0370428 A1* 12/2018 Umeda B60Q 3/64
2019/0152374 A1* 5/2019 Lee B60N 3/106
2019/0193618 A1* 6/2019 Medoro B60N 3/108

* cited by examiner

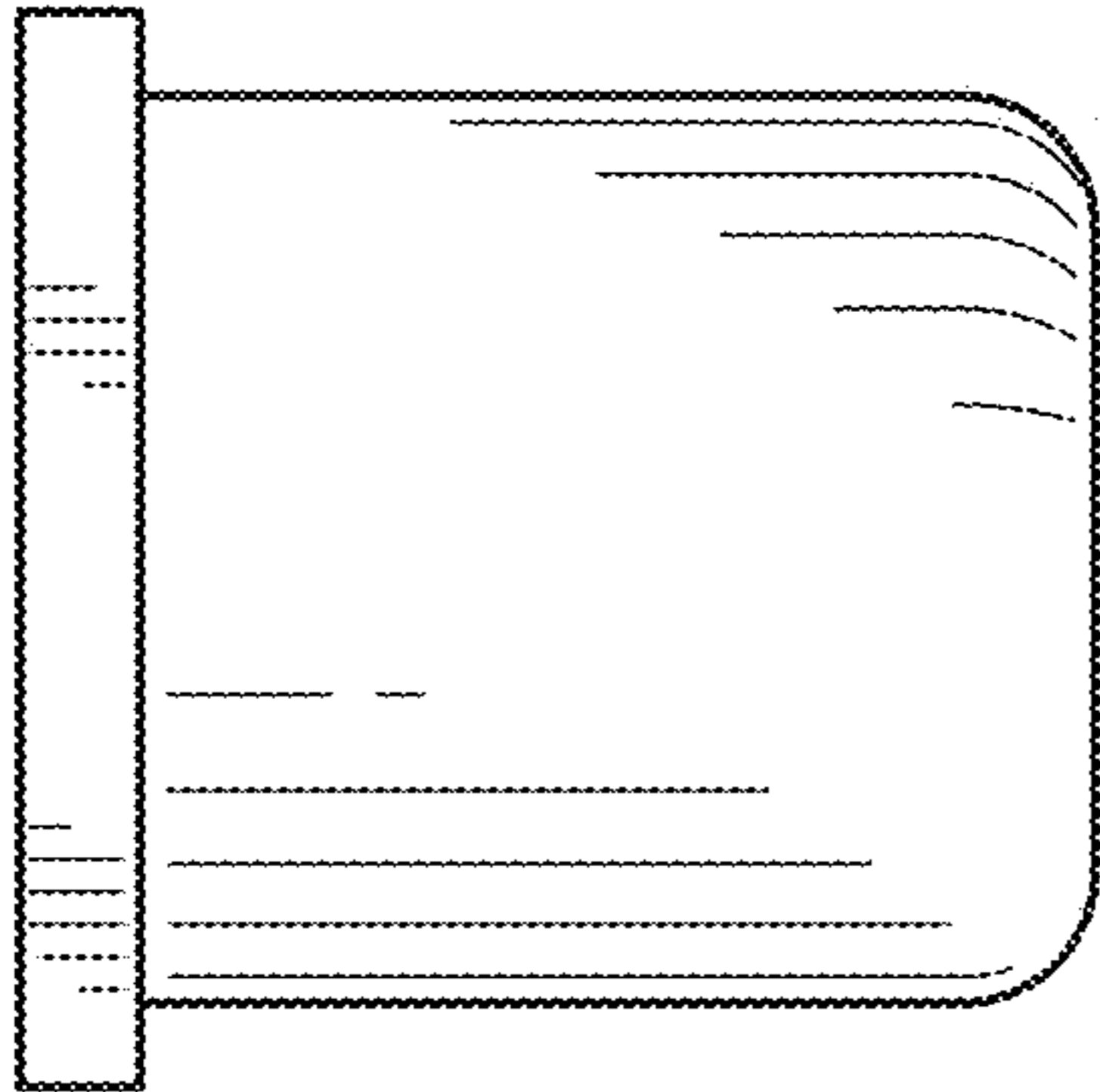


FIG. 3

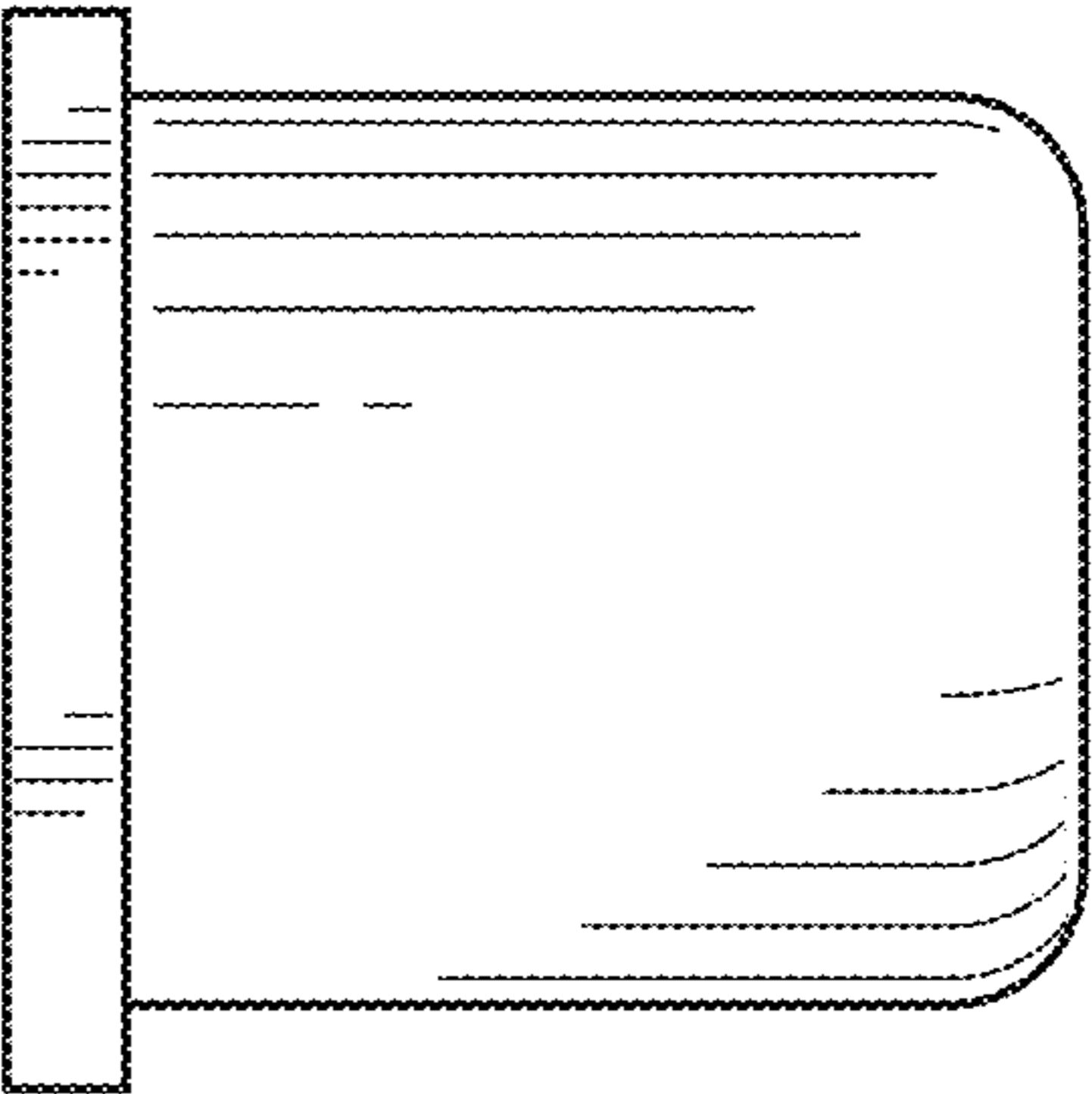


FIG. 4

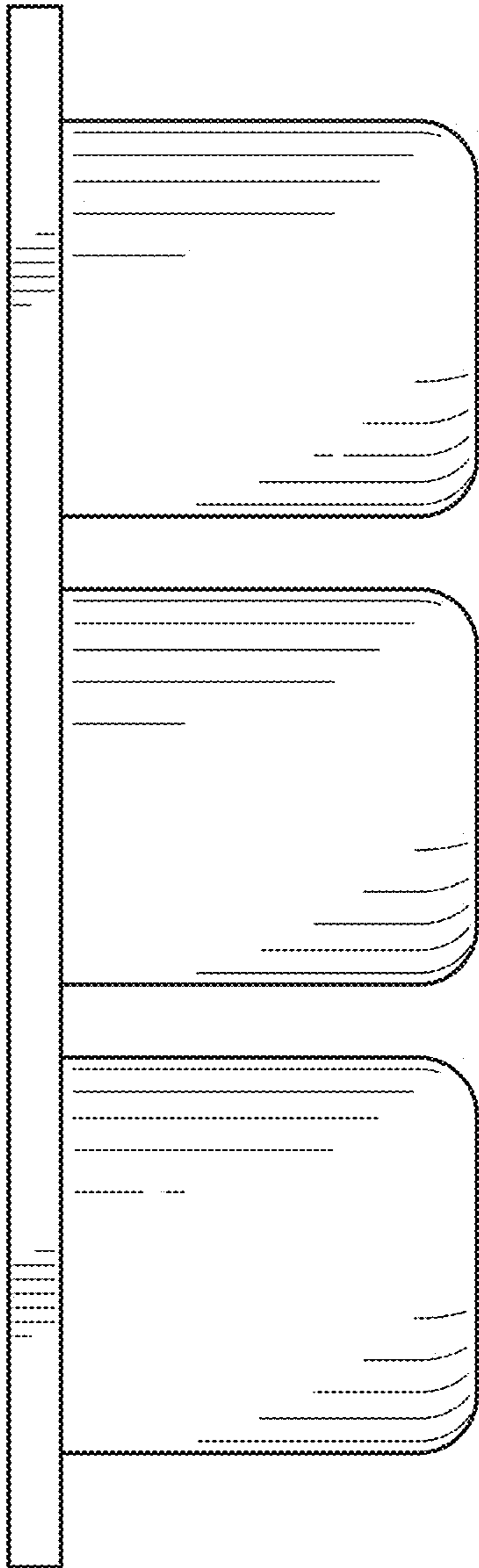


FIG. 1

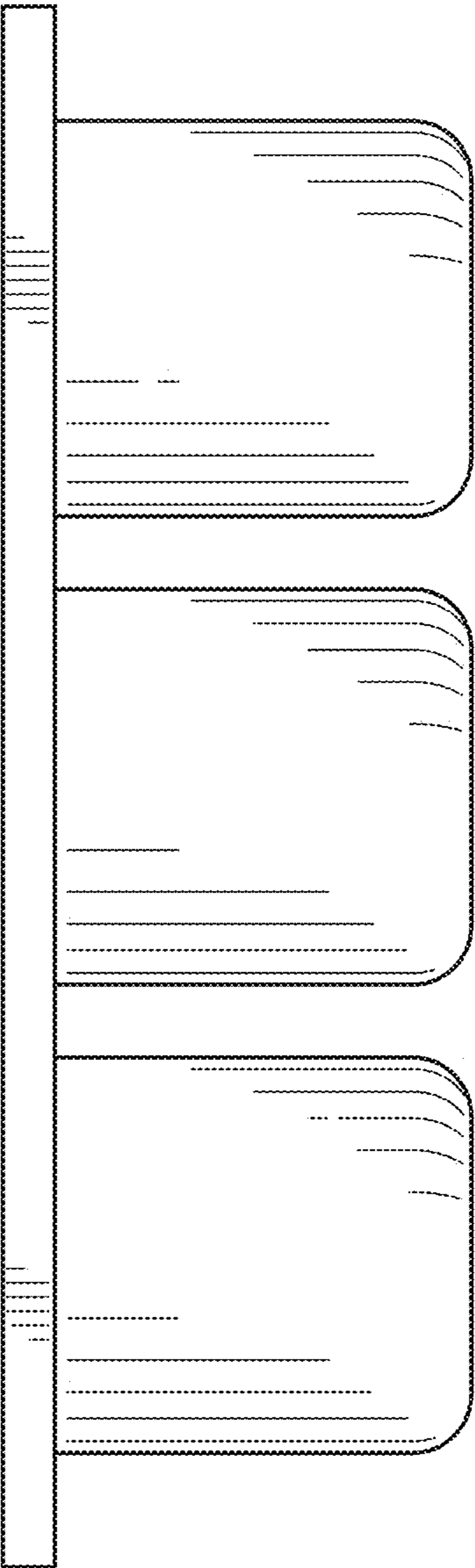


FIG. 2

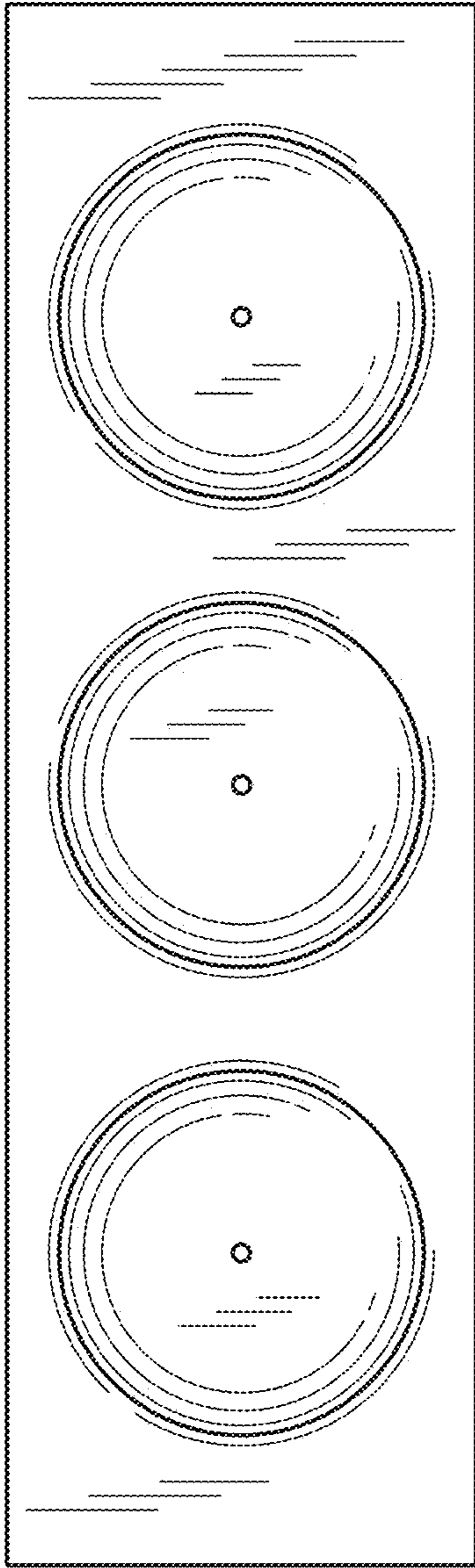


FIG. 5

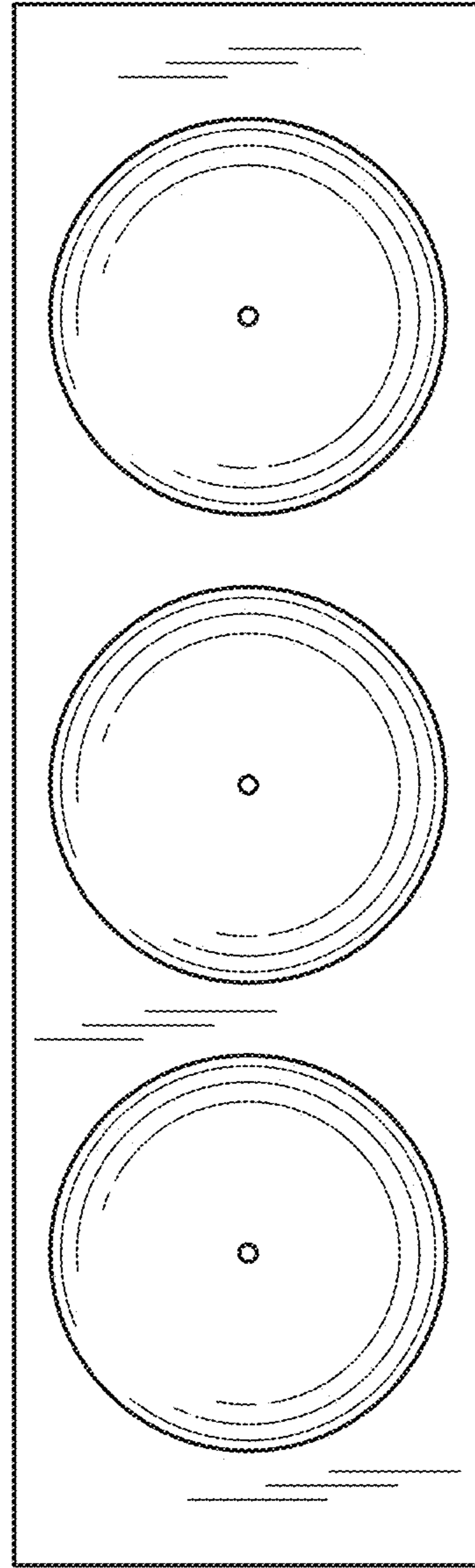


FIG. 6

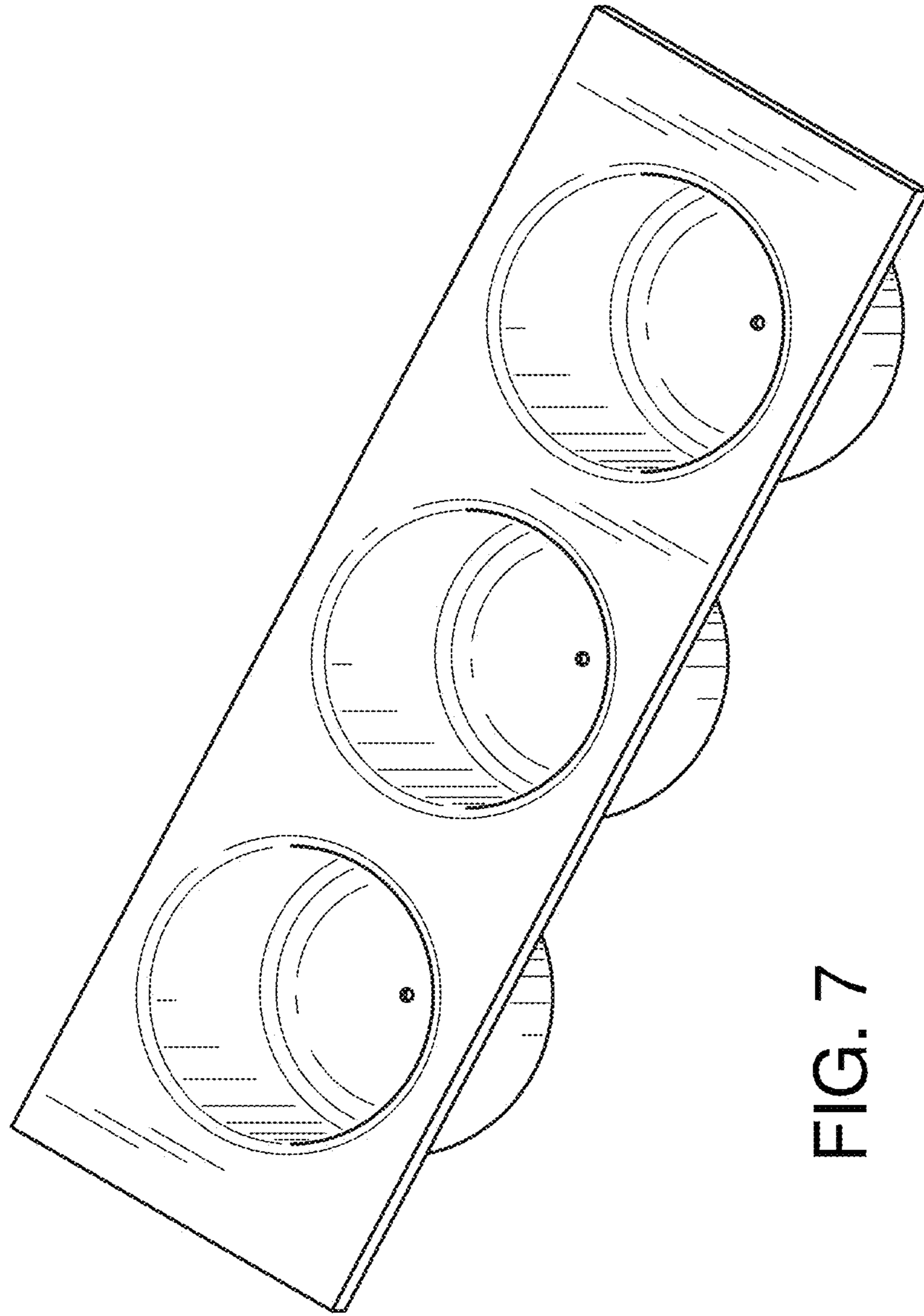


FIG. 7

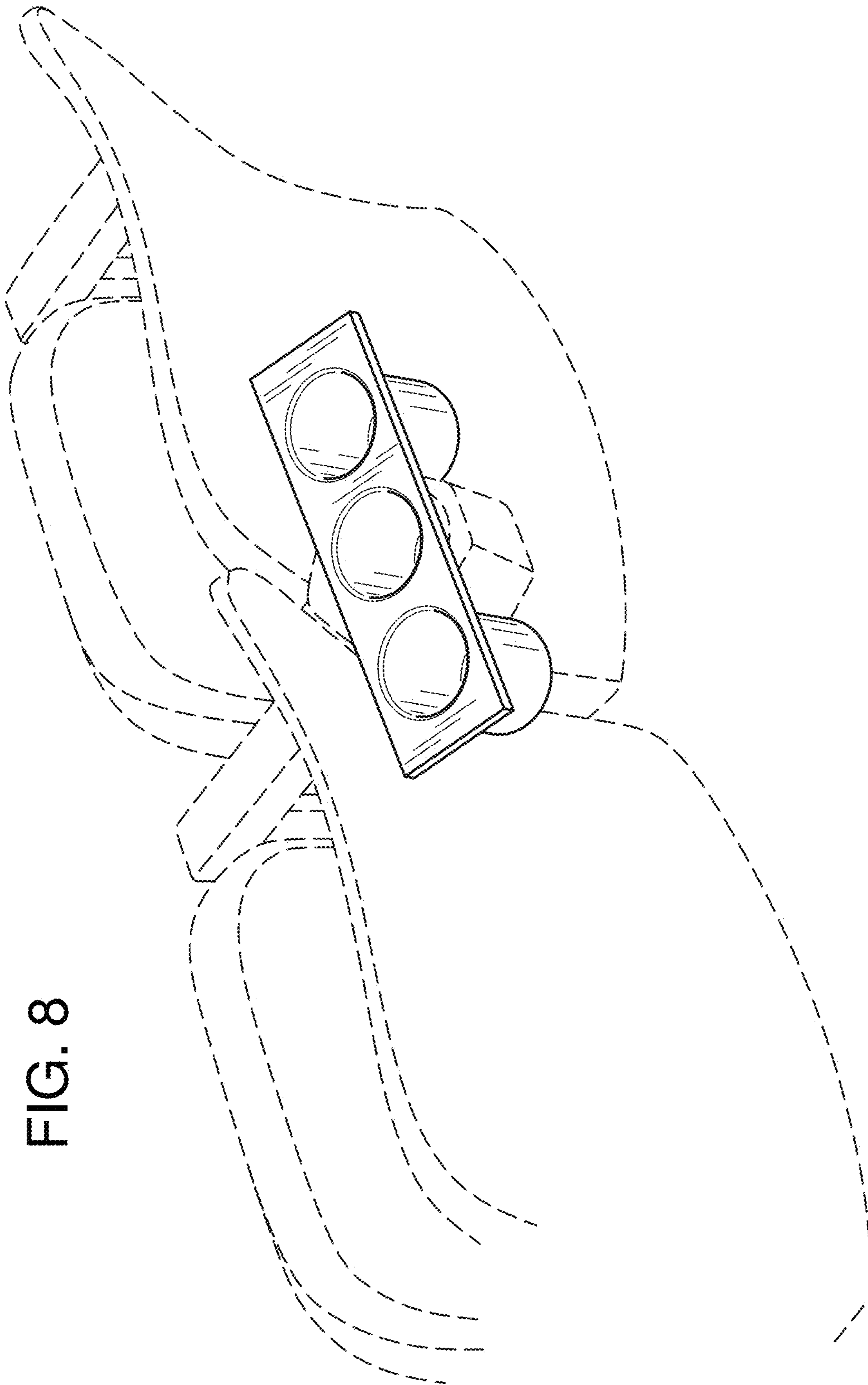


FIG. 8