

US00D897790S

(12) **United States Design Patent** (10) **Patent No.:** **US D897,790 S**
Zou (45) **Date of Patent:** **** Oct. 6, 2020**

(54) **STAINLESS STEEL GRATER WITH CONTAINER**

D528,377 S * 9/2006 Pippel D7/678
7,992,476 B2 8/2011 Kaposi
D730,704 S 6/2015 Repac
D838,146 S 1/2019 Appelbaum et al.

(71) Applicant: **Shouqing Zou**, Shenzhen (CN)

(72) Inventor: **Shouqing Zou**, Shenzhen (CN)

(**) Term: **15 Years**

(21) Appl. No.: **29/737,527**

(22) Filed: **Jun. 10, 2020**

(51) **LOC (12) Cl.** **07-04**

(52) **U.S. Cl.**
USPC **D7/678**

(58) **Field of Classification Search**
USPC D7/678, 693, 672-677, 381
CPC A47J 43/25; A47J 43/00; A47J 43/255;
A47J 45/063; A47J 19/04; A47J 17/02;
A47J 17/04; B26D 1/30; B26D 3/20;
B26D 3/26; B26D 3/185; B26D 3/283;
B26D 5/00; B26D 7/00; B26D 7/18;
B26D 7/01

See application file for complete search history.

(56) **References Cited**

U.S. PATENT DOCUMENTS

D153,249 S * 4/1949 Albertson D7/678
2,500,560 A * 3/1950 Morris A47J 43/25
241/95
2,601,087 A * 6/1952 Buedingen A47J 43/25
241/168
2,741,286 A * 4/1956 Bittle A47J 43/25
241/95
D210,861 S * 4/1968 Locker D7/678
3,825,049 A * 7/1974 Swett A47J 43/25
220/771
D447,391 S 9/2001 Bodum
D519,001 S 4/2006 So

OTHER PUBLICATIONS

Lurch Germany Razortech Stainless Steel Parmesan Grater with Container and Lid https://www.amazon.com/Lurch-razortech-stainless-parmesan-container/dp/B004185GP6/ref=sr_1_10?dchild=1&keywords=Stainless+steel+grater+with30+container&qid=1591750822&sr=8-10 (Year 2011).

Jeslon Stainless steel drain basket vegetable cutter, 3 in 1 Kitchen Multipurpose Julienne Grater—salad maker bowl https://www.amazon.com/Jeslon-Stainless-vegetable-Multipurpose-Julienne/dp/B081F9LKWM/ref=sr_1_45?dchild=1&keywords=Stainless+steel+grater+with+container&qid=1591751048&sr=8-45 (Year 2019).

* cited by examiner

Primary Examiner — Terry A Wallace

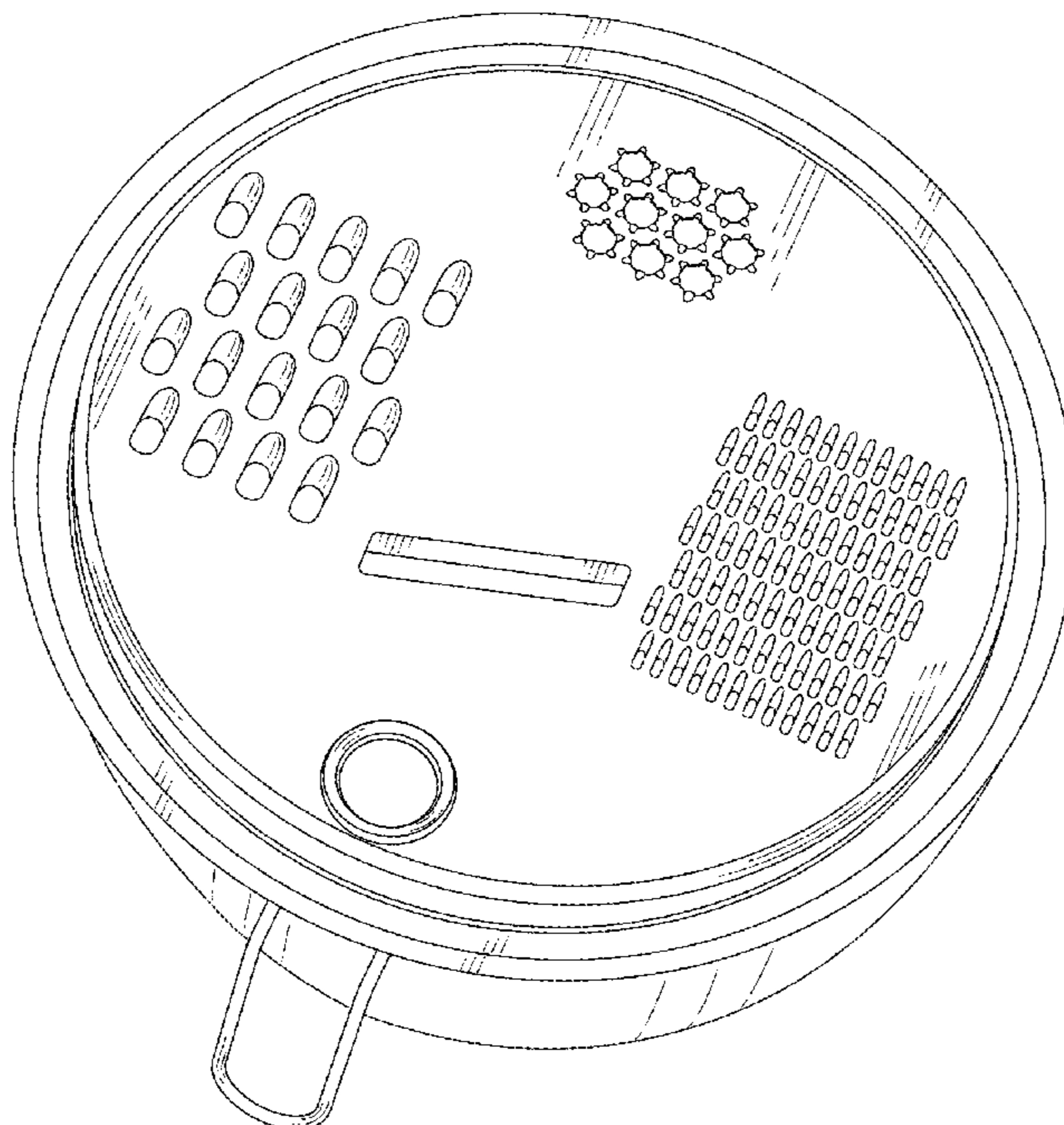
(57) **CLAIM**

The ornamental design for a stainless steel grater with container, as shown and described.

DESCRIPTION

FIG. 1 is a perspective view of a stainless steel grater with container showing my new design;
FIG. 2 is a front elevational view thereof;
FIG. 3 is a rear elevational view thereof;
FIG. 4 is a left side elevational view thereof;
FIG. 5 is a right side elevational view thereof;
FIG. 6 is a top plan view thereof;
FIG. 7 is a bottom plan view thereof; and,
FIG. 8 is another left side elevational view in separate condition thereof.

1 Claim, 8 Drawing Sheets



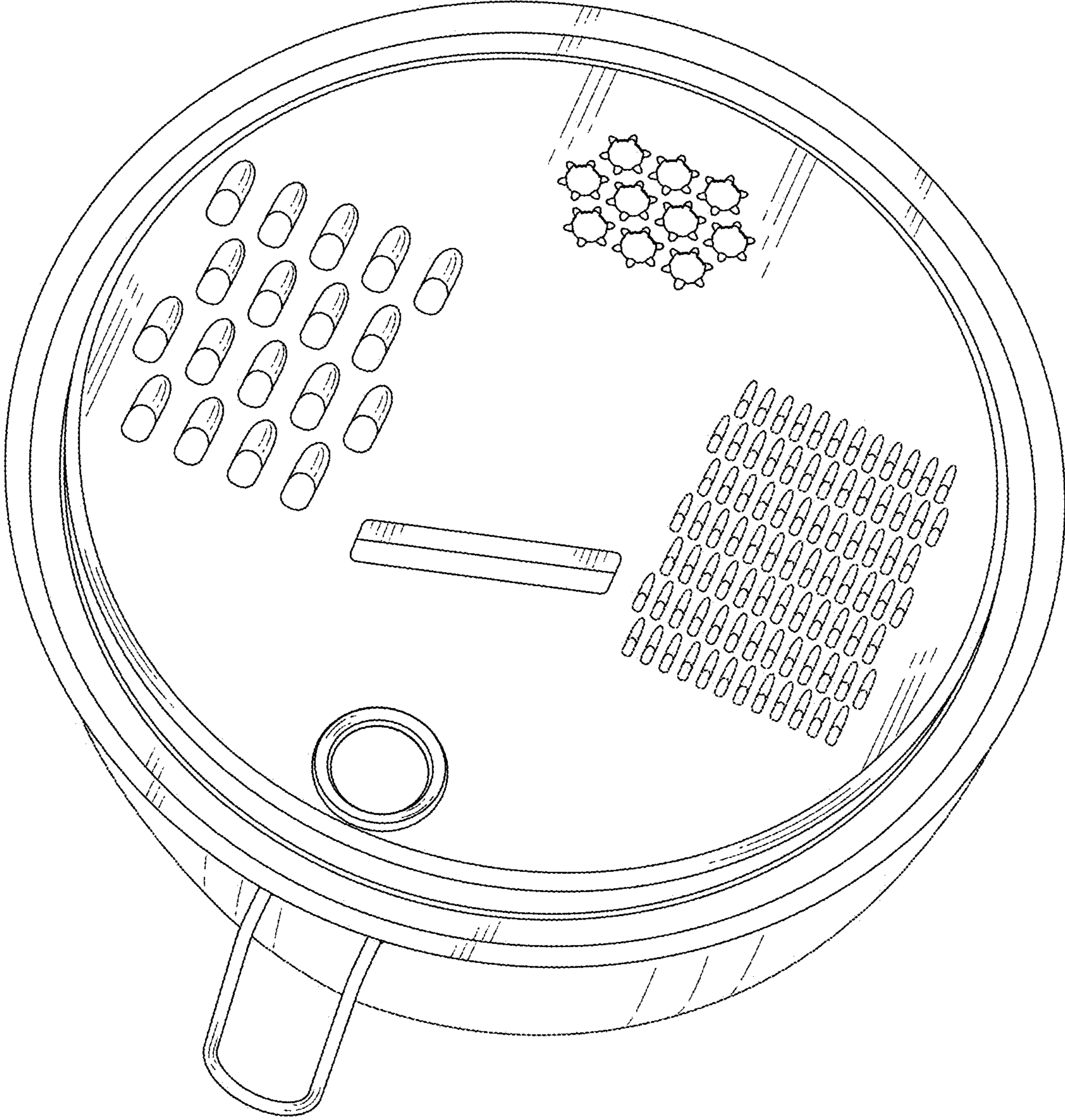


FIG.1

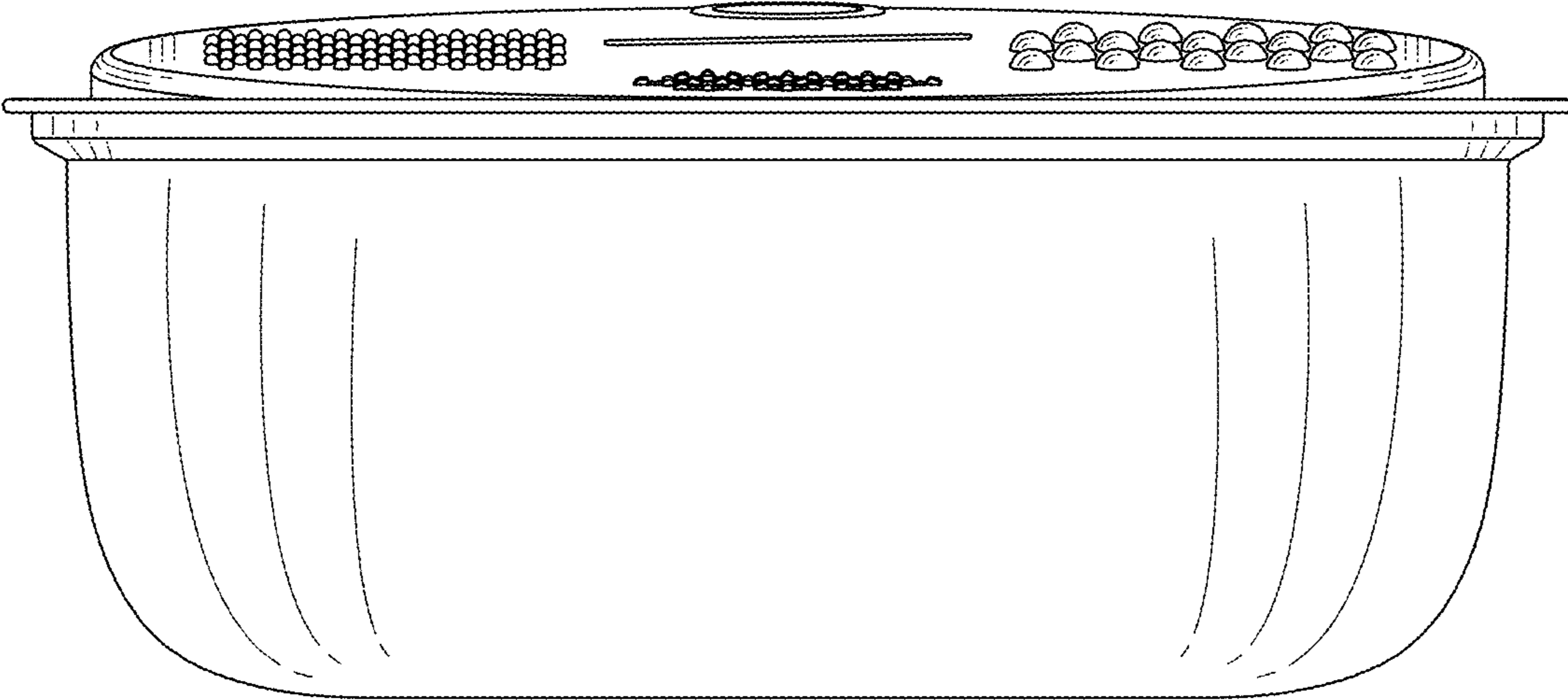


FIG.2

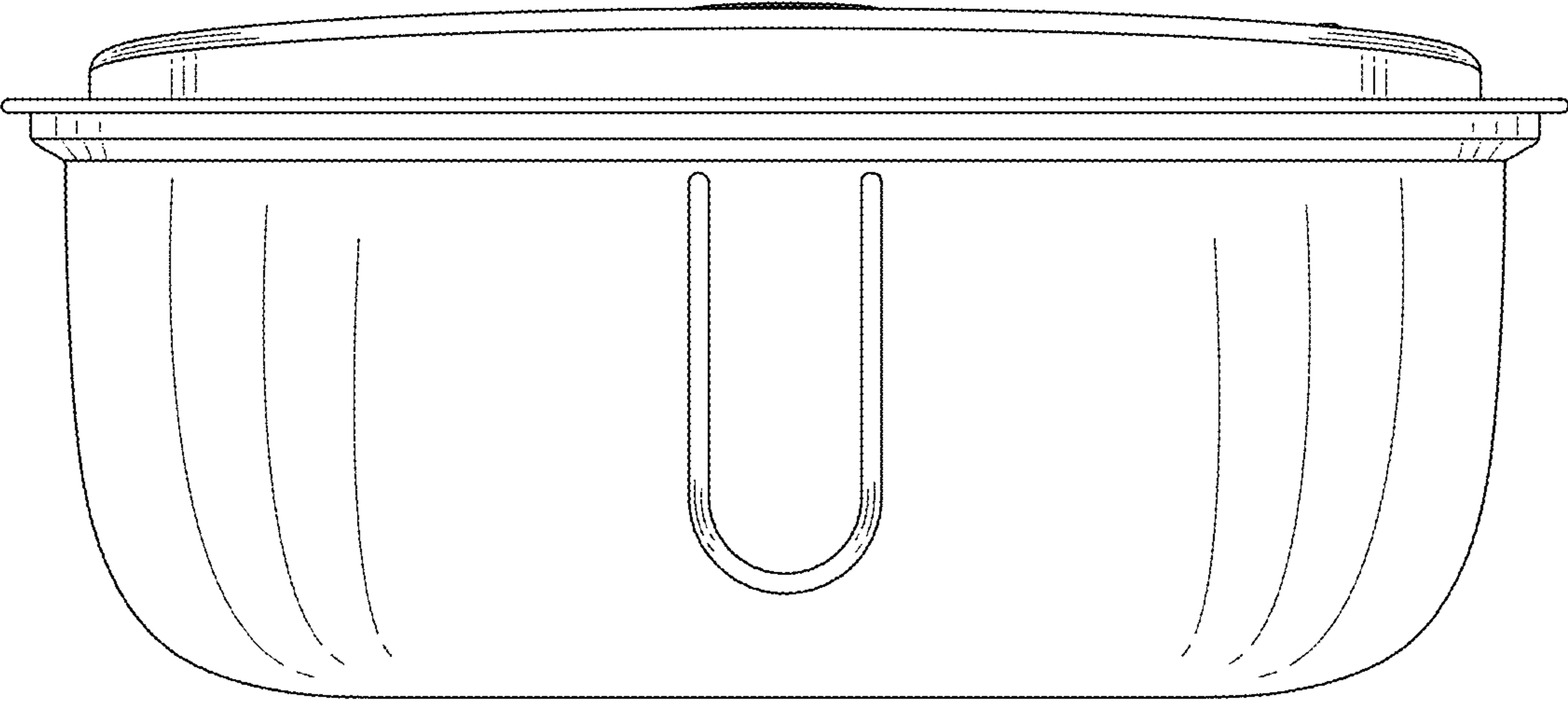


FIG.3

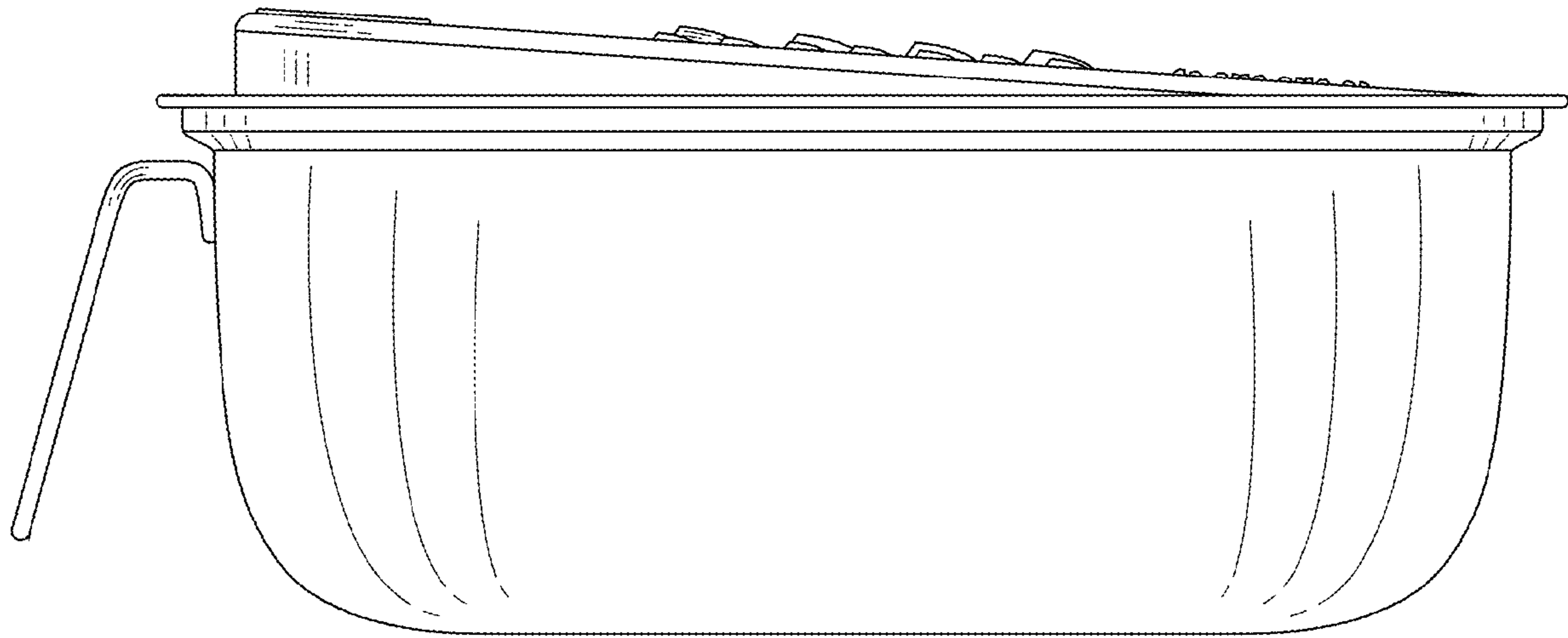


FIG.4

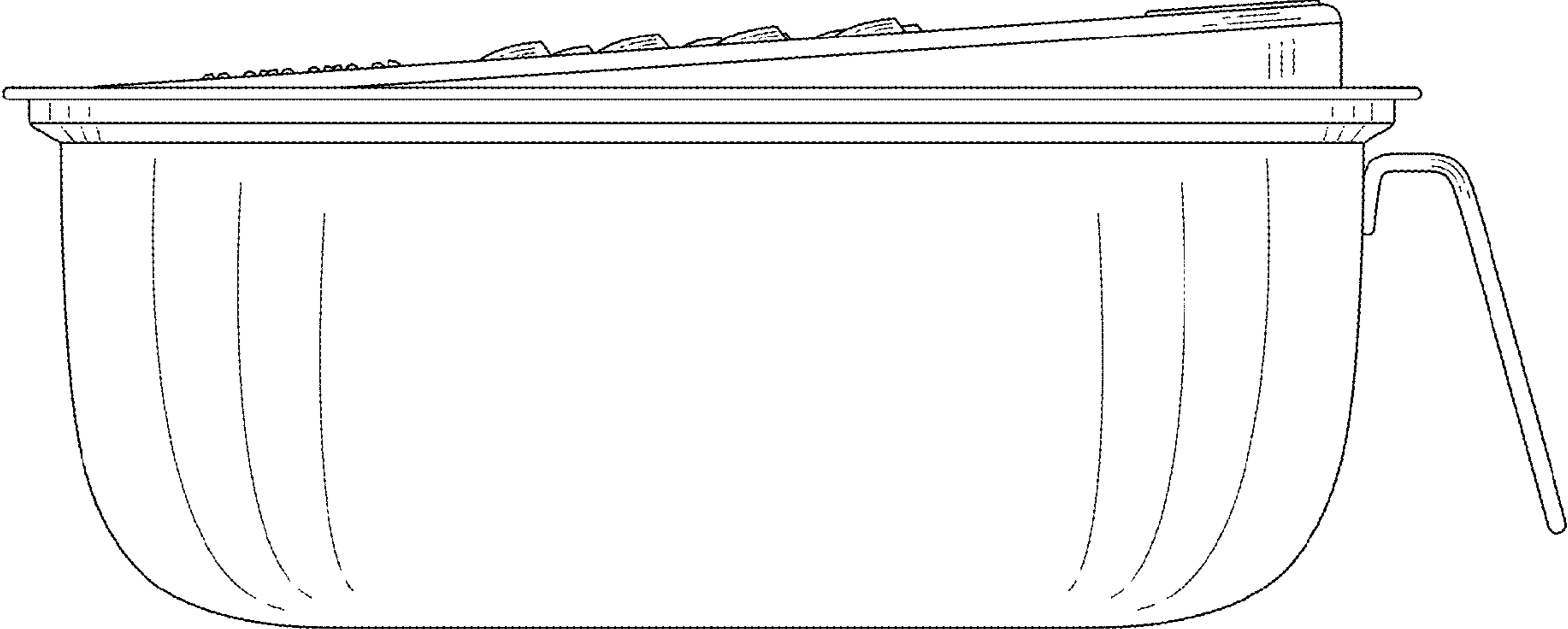


FIG.5

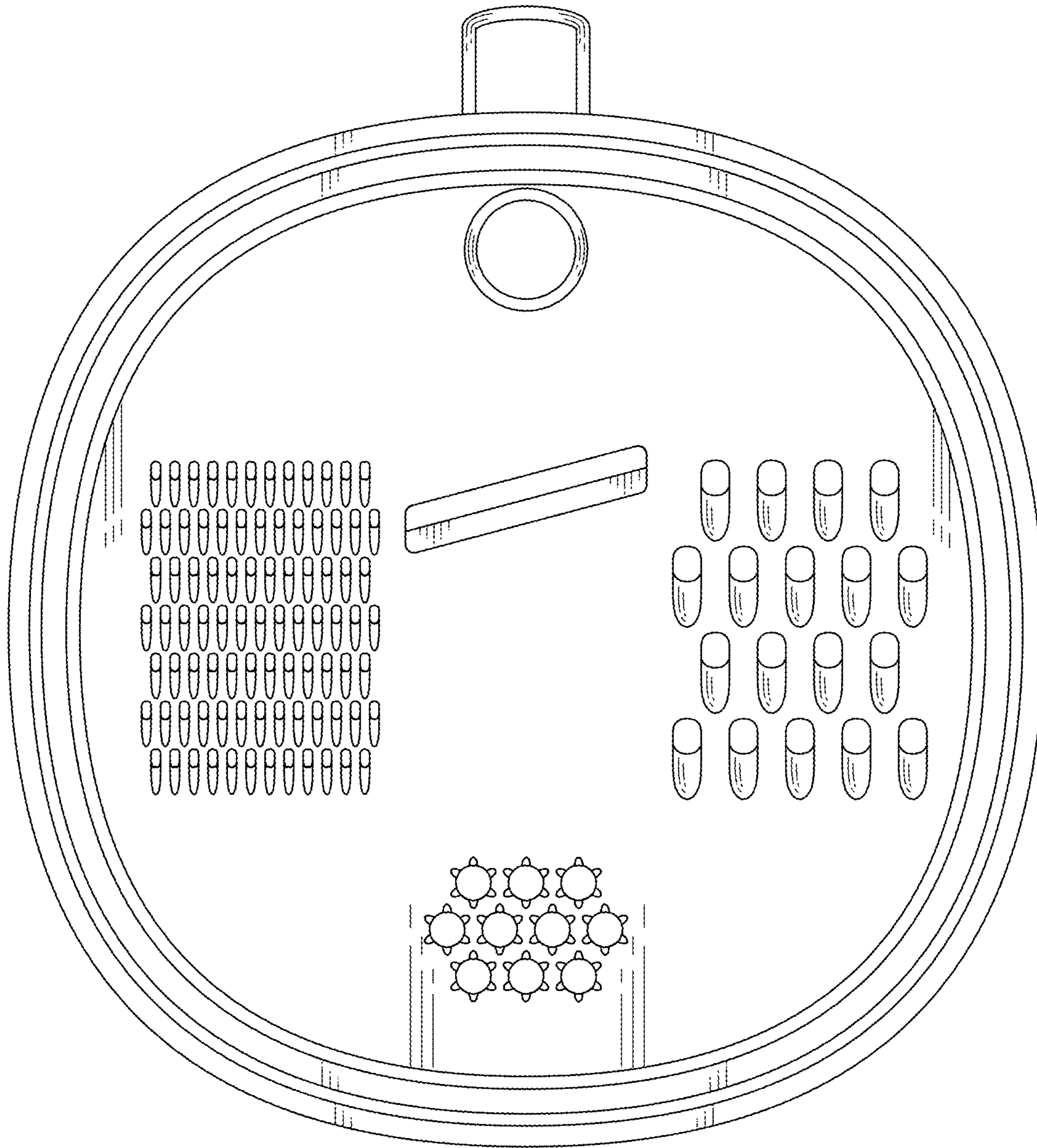


FIG.6

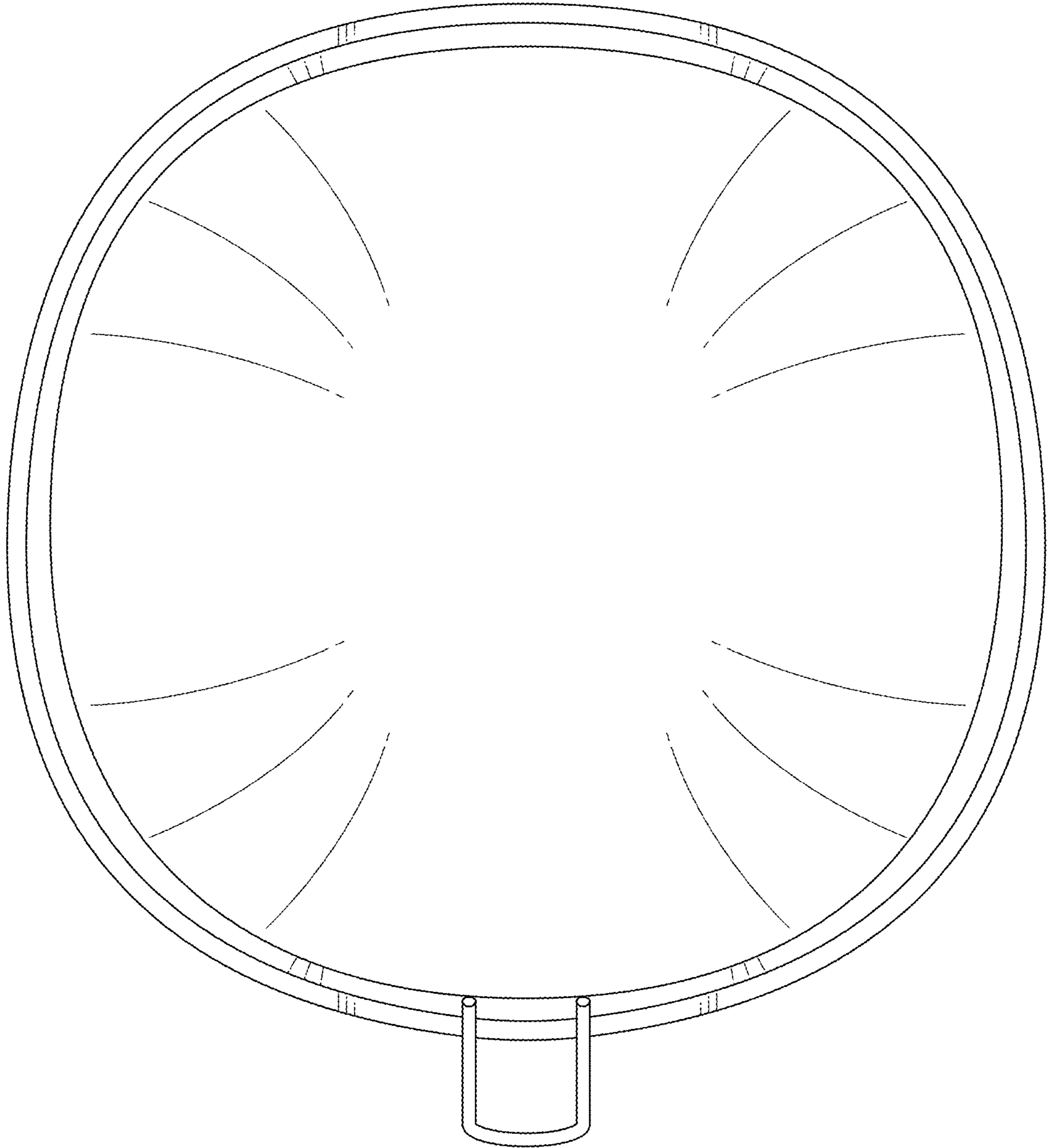


FIG.7

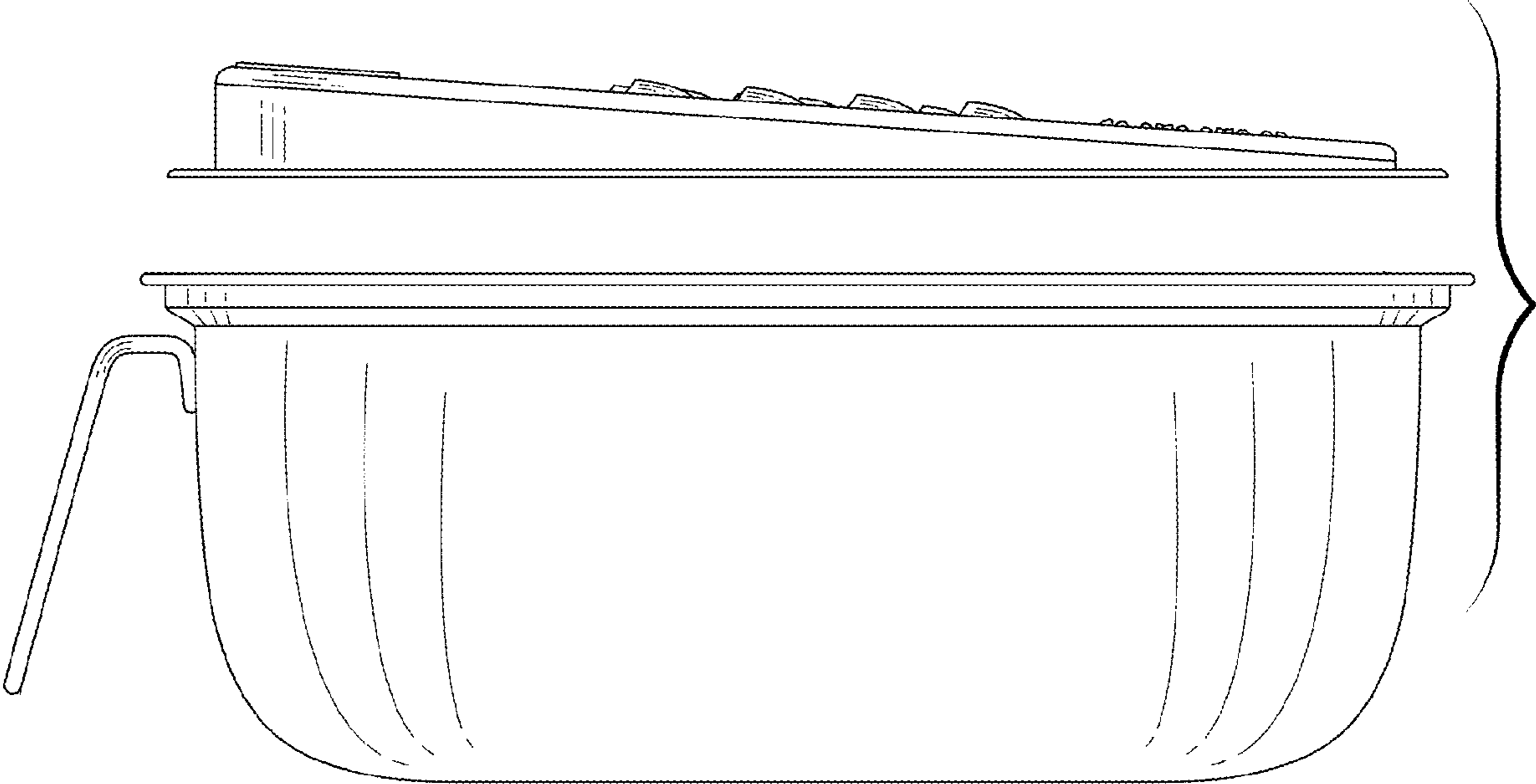


FIG.8