



US00D897785S

(12) **United States Design Patent**  
**Gee, II**

(10) **Patent No.:** **US D897,785 S**

(45) **Date of Patent:** **\*\* Oct. 6, 2020**

(54) **NAPKIN HOLDER**

(71) Applicant: **Spectrum Diversified Designs, LLC**,  
Streetsboro, OH (US)

(72) Inventor: **Jack W. Gee, II**, Willoughby, OH (US)

(73) Assignee: **SPECTRUM DIVERSIFIED  
DESIGNS, LLC**, Streetsboro, OH (US)

(\*\*) Term: **15 Years**

(21) Appl. No.: **29/681,601**

(22) Filed: **Feb. 27, 2019**

(51) **LOC (12) Cl.** ..... **07-06**

(52) **U.S. Cl.**  
USPC ..... **D7/631**

(58) **Field of Classification Search**  
USPC ..... D3/306; D6/566-574; D7/631,  
D7/637-641; 211/41.4, 70.7, 85.31,  
211/90.03, 106, 126.8, 126.9, 133.2,  
211/133.5; 220/485-488, 491; 248/37.3,  
248/37.6, 153, 175  
CPC . A47B 88/00; A47B 88/20; A47F 7/00; A47F  
7/14; A47G 21/00; A47G 21/16; B65D  
1/34; B65D 1/36; B65D 21/046; B65D  
21/048; G09F 1/14  
See application file for complete search history.

(56) **References Cited**

**U.S. PATENT DOCUMENTS**

D551,454 S *	9/2007	Cheng	.....	D3/306
D617,591 S *	6/2010	Snider	.....	D3/306
D640,510 S *	6/2011	Guindi	.....	D7/631
D652,688 S *	1/2012	Guindi	.....	D7/631

D737,105 S *	8/2015	Tsai	.....	D7/601
D744,296 S *	12/2015	Goodman	.....	D7/631
D748,441 S *	2/2016	Goodman	.....	D7/631
D787,277 S *	5/2017	Goodman	.....	D7/631

**OTHER PUBLICATIONS**

Clipper Mill by GET 14-33453 7 1/2"x4 1/2" Black Powder Coated Iron Braided Uval Wire Basket, WebstaurantStore website page, [https://www.webstaurantstore.com/clipper-mill-by-get-4-33453-7-1-2-x-4-1-2-black-powder-coated-iron-braided-oval-wire-basket/375433453.html?utm\\_source=Google&utm\\_medium=cpc&utm\\_campaign=GoogleShopping&gclid=CjwKCAiAqOriBRAfEiwAEb9oXYUdHG10EPKUPGCO0bfulrURw4390RKhJettDXCj3Q-asBltnR1sJxoCECwQAvD\\_Bw](https://www.webstaurantstore.com/clipper-mill-by-get-4-33453-7-1-2-x-4-1-2-black-powder-coated-iron-braided-oval-wire-basket/375433453.html?utm_source=Google&utm_medium=cpc&utm_campaign=GoogleShopping&gclid=CjwKCAiAqOriBRAfEiwAEb9oXYUdHG10EPKUPGCO0bfulrURw4390RKhJettDXCj3Q-asBltnR1sJxoCECwQAvD_Bw), 1 page.

\* cited by examiner

*Primary Examiner* — Janice Patyk

(74) *Attorney, Agent, or Firm* — Tucker Ellis LLP

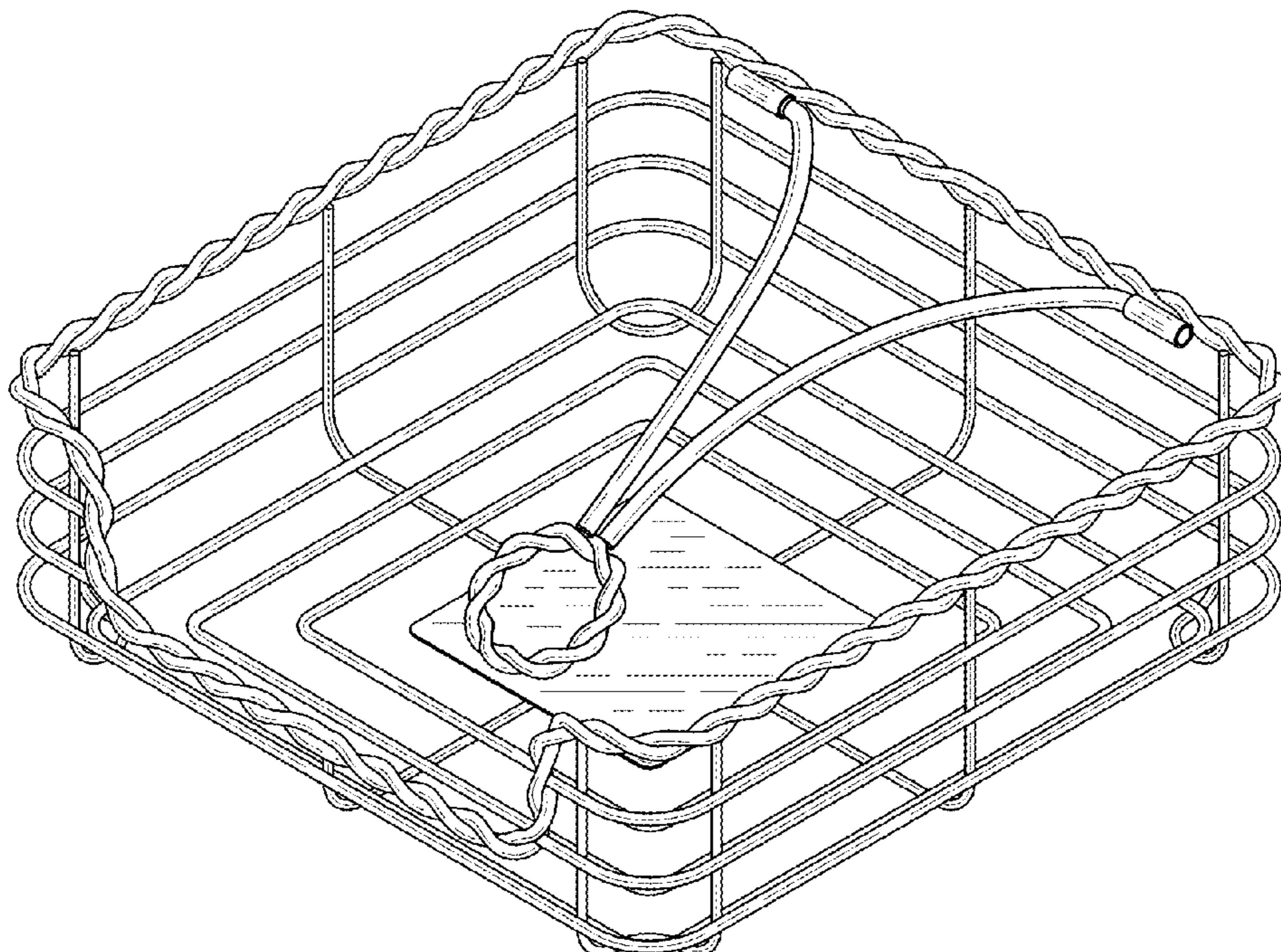
(57) **CLAIM**

The ornamental design for a napkin holder, as shown and described.

**DESCRIPTION**

FIG. 1 is a perspective view of a napkin holder showing my new design;  
FIG. 2 is a front view thereof;  
FIG. 3 is a rear view thereof;  
FIG. 4 is a right side view thereof;  
FIG. 5 is a left side view thereof;  
FIG. 6 is a top view thereof; and,  
FIG. 7 is a bottom view thereof.

**1 Claim, 4 Drawing Sheets**



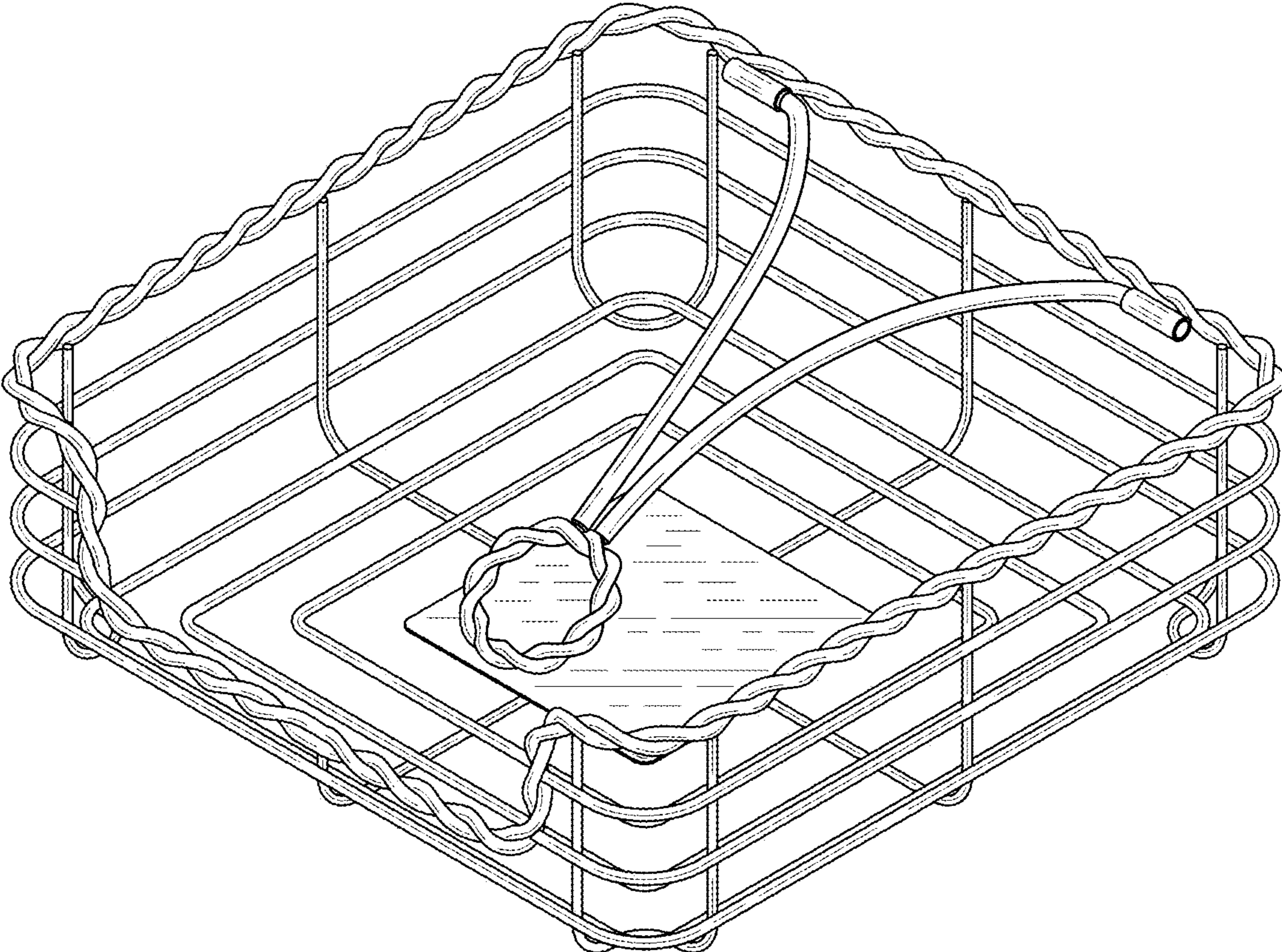
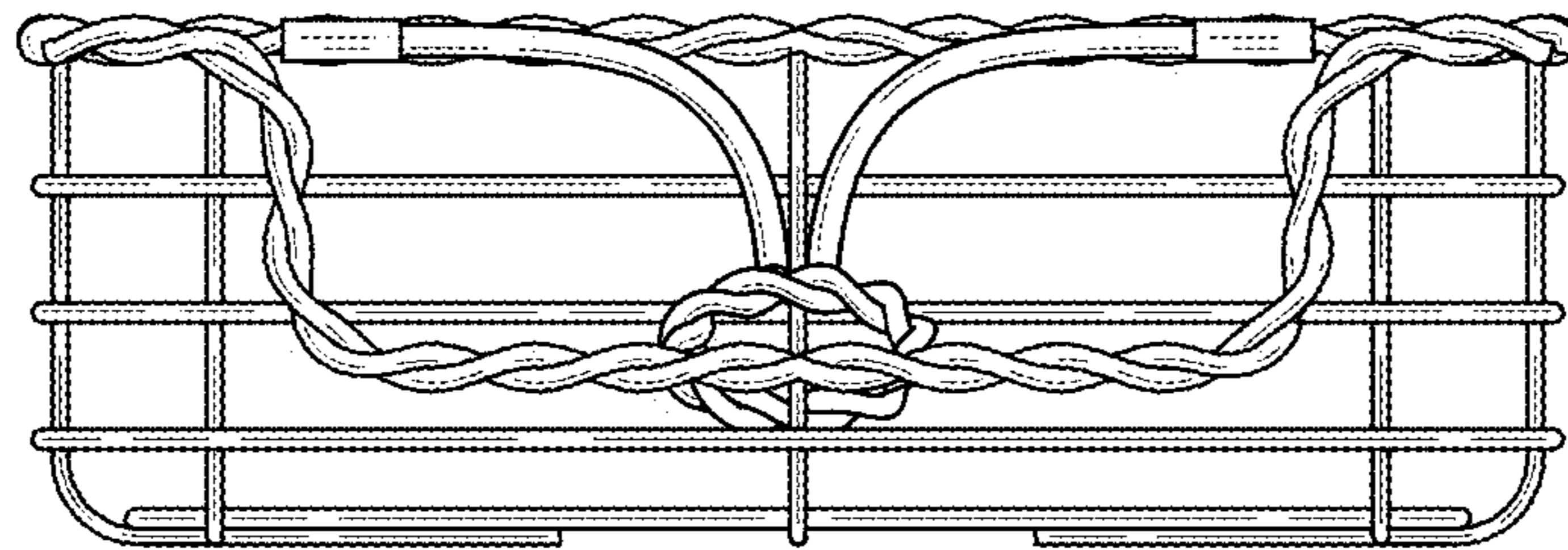
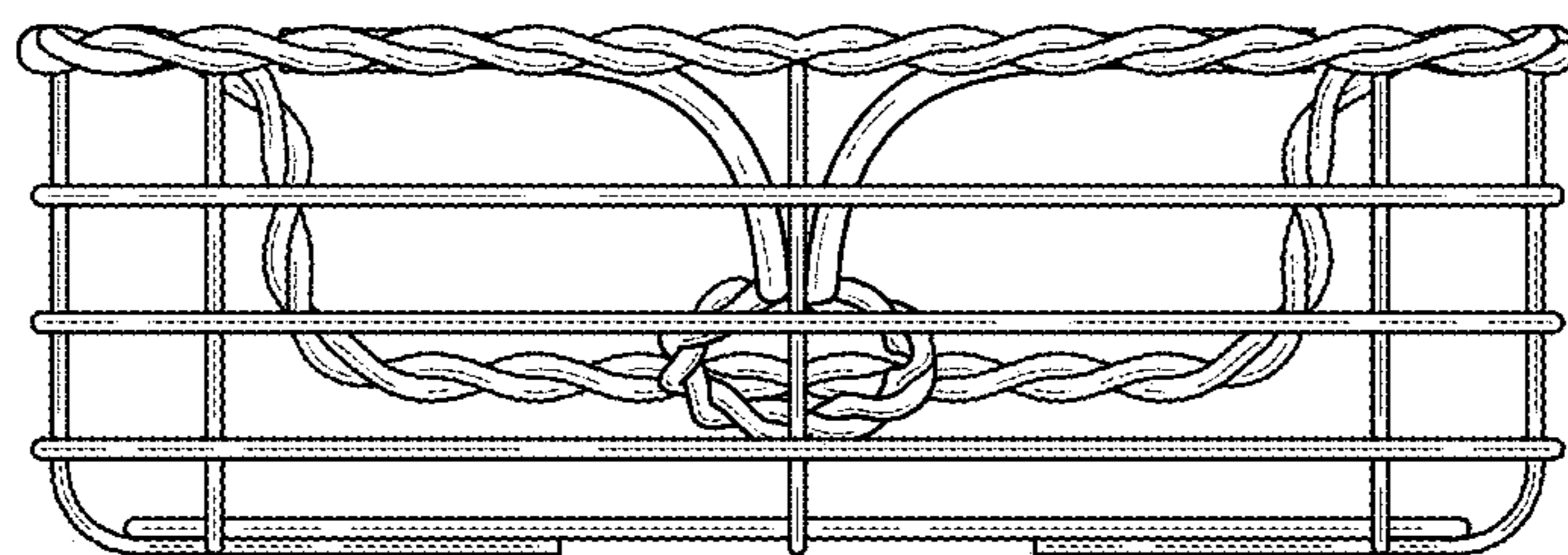


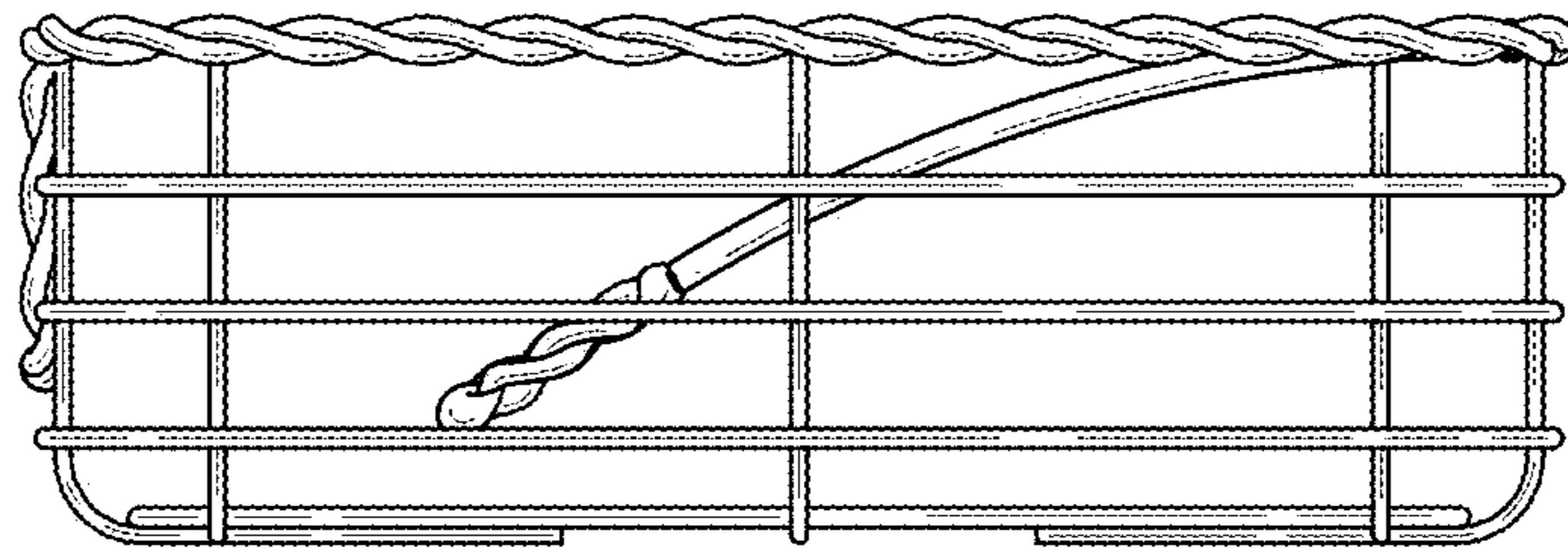
FIG. 1



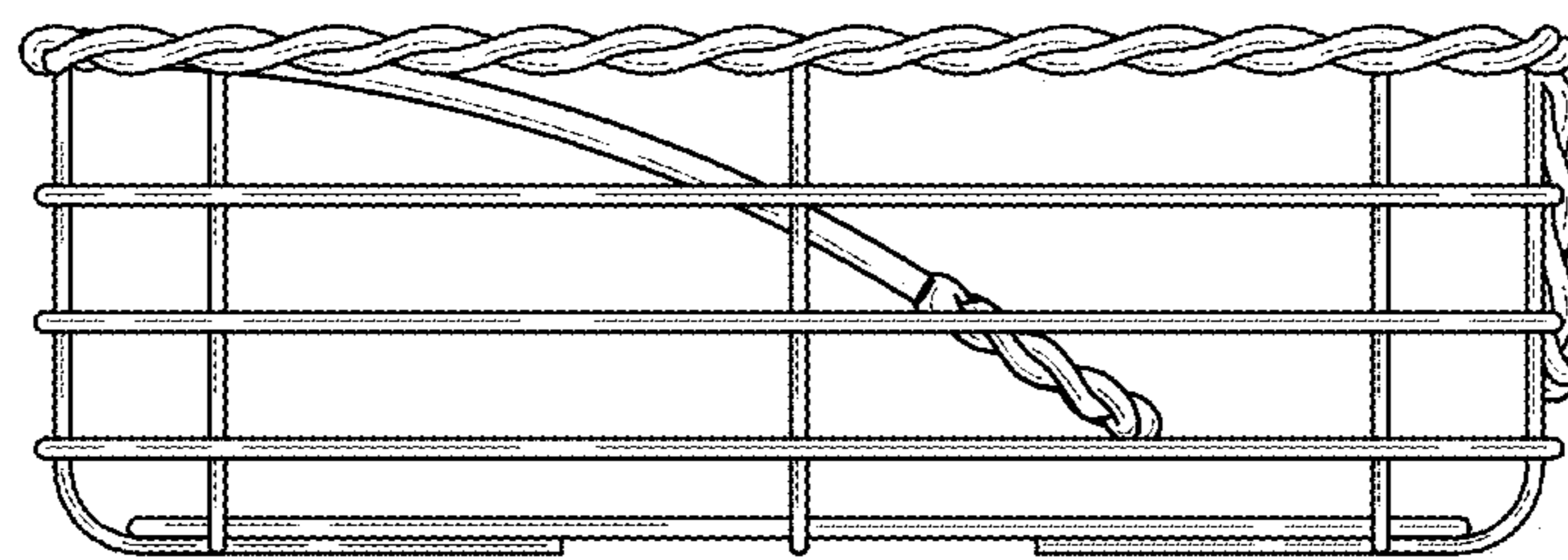
**FIG. 2**



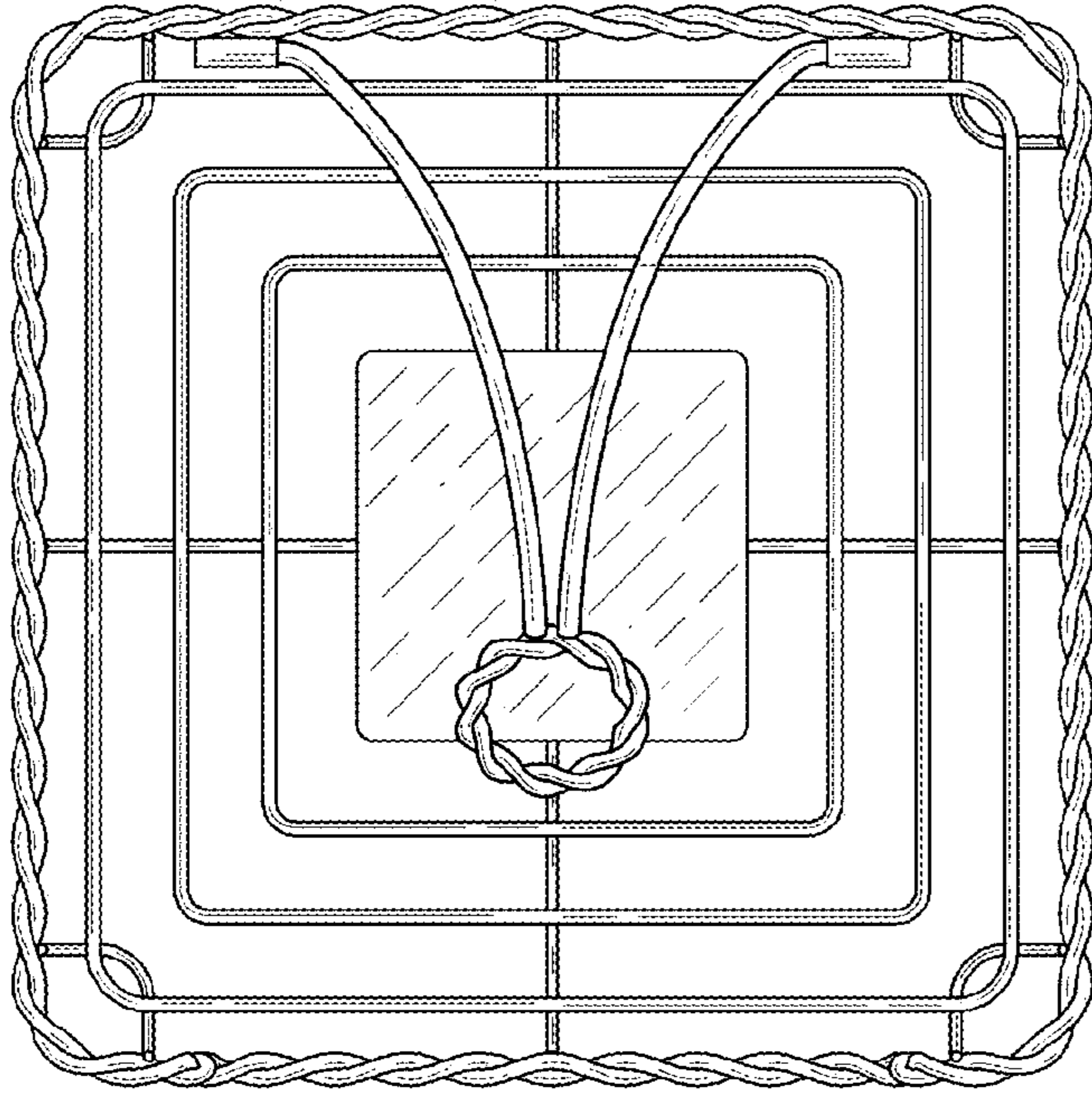
**FIG. 3**



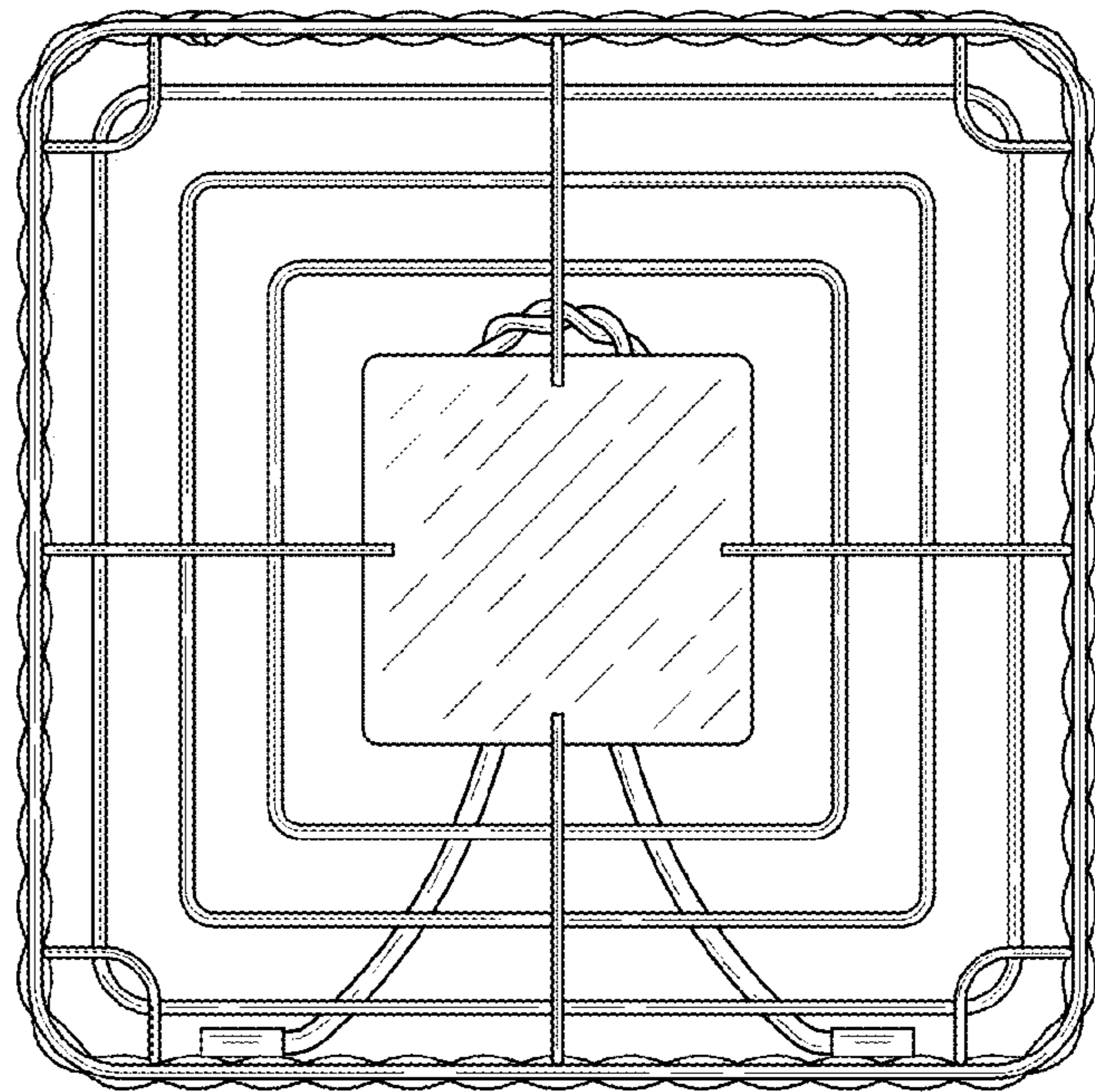
**FIG. 4**



**FIG. 5**



**FIG. 6**



**FIG. 7**