



US00D897784S

(12) **United States Design Patent**
Schaefer et al.

(10) **Patent No.:** **US D897,784 S**

(45) **Date of Patent:** **** Oct. 6, 2020**

- (54) **BUMPER**
- (71) Applicant: **iSee Store Innovations, L.L.C.**, St. Louis, MO (US)
- (72) Inventors: **Mark Schaefer**, Town and Country, MO (US); **Steven Allen Brenner**, Richmond Heights, MO (US); **Sesha Madireddi**, St. Charles, MO (US); **Sivateja Kasireddi**, Maryland Heights, MO (US)
- (73) Assignee: **ISEE STORE INNOVATIONS, L.L.C.**, St. Louis, MO (US)
- (**) Term: **15 Years**
- (21) Appl. No.: **29/658,705**
- (22) Filed: **Aug. 2, 2018**
- (51) **LOC (12) Cl.** **07-06**
- (52) **U.S. Cl.**
USPC **D7/620**
- (58) **Field of Classification Search**
USPC D7/601, 605, 607, 608, 619–625, D7/701–707; D12/411, 419, 420; D9/444, 501–504, 574, 575, 779; D3/304–314
CPC B65D 81/3876; B65D 81/3879; B65D 23/104; B65D 81/38; B65D 81/3886; B65D 81/3883; B65D 81/3881; A47G 23/0225; A47G 23/0216; A47G 23/02; A47G 23/03; A47G 7/044; A45C 11/20
See application file for complete search history.

- (56) **References Cited**
U.S. PATENT DOCUMENTS
2,912,205 A * 11/1959 Toune E06C 7/14 248/210
3,273,846 A * 9/1966 De Mare B43K 23/002 248/231.71

- 3,596,964 A * 8/1971 Zazzara B43K 23/012 294/5
- D228,738 S * 10/1973 de Cervin Albrizzi D8/394
- 3,881,677 A * 5/1975 Ihlenfeld A47C 7/62 248/311.2
- D295,725 S * 5/1988 Shioda D8/380
- D306,546 S * 3/1990 Coy D7/605
- D344,876 S * 3/1994 Vandergon D6/567
- D353,840 S * 12/1994 Dietterich D19/77
- D360,806 S * 8/1995 Morris D7/608
- D367,998 S * 3/1996 Graw D7/620
- D367,999 S * 3/1996 McCallum D6/553
- D370,835 S * 6/1996 Nachtrab D7/620
- D396,780 S * 8/1998 Villarreal, Jr. D7/608
- D458,499 S * 6/2002 Cone D6/553
- D515,364 S * 2/2006 King D7/510
- 7,685,908 B1 * 3/2010 Sebastian A47G 23/0216 81/3.09
- D637,457 S * 5/2011 Thompson D7/600.1
- D734,587 S * 7/2015 Golan D34/27
- D820,644 S * 6/2018 Mubarak D7/590
- D850,163 S * 6/2019 DuBois D6/620
- D856,091 S * 8/2019 Winterhalter A47C 7/622 D7/620

(Continued)

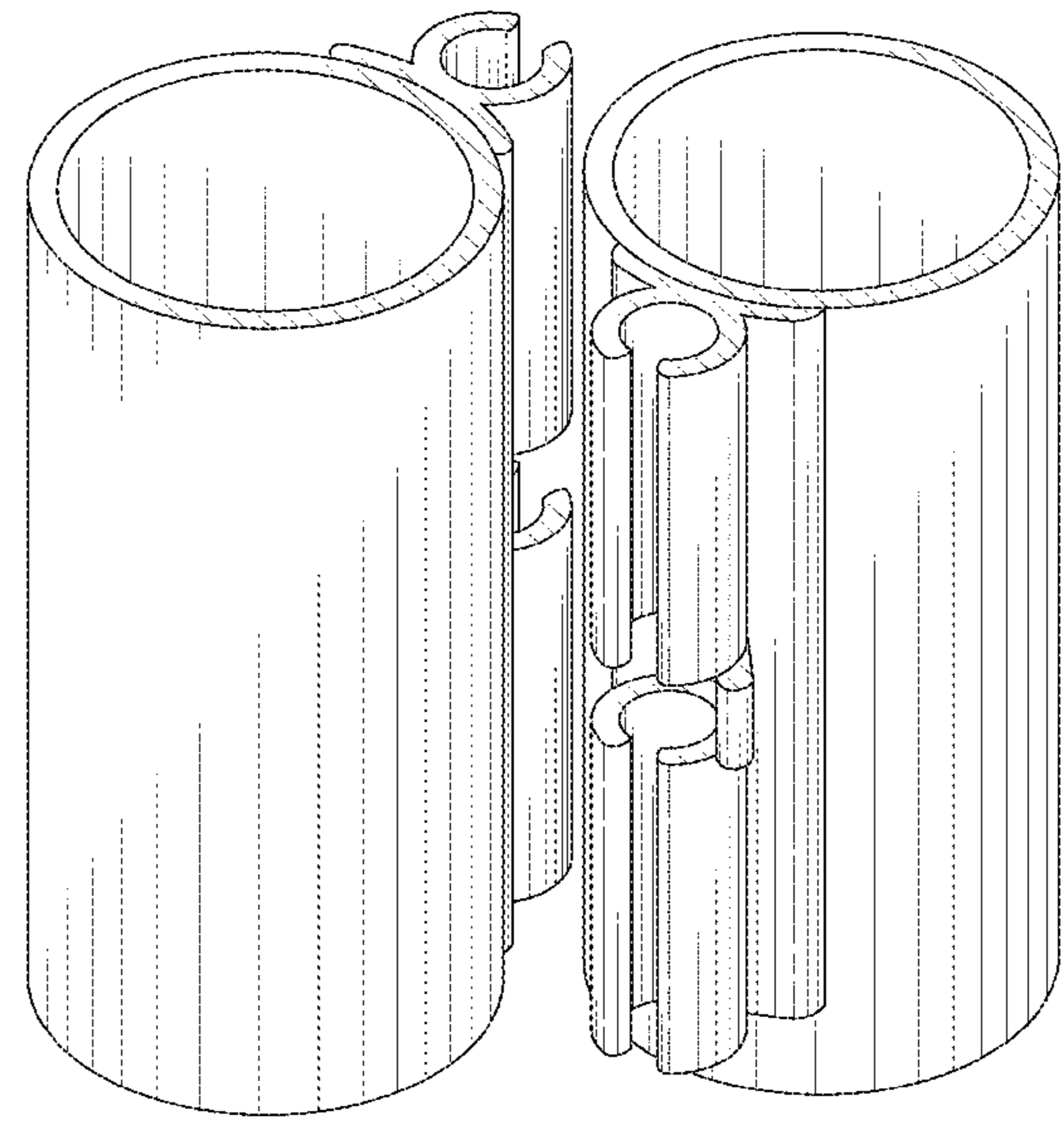
Primary Examiner — Darlington Ly
(74) *Attorney, Agent, or Firm* — The Small Patent Law Group LLC; Joseph M. Butscher

(57) **CLAIM**
The ornamental design for a bumper, as shown and described.

DESCRIPTION

FIG. 1 is a top and front perspective front view of a bumper, showing our new design.
FIG. 2 is a top plan view thereof.
FIG. 3 is a side elevation view thereof.
FIG. 4 is a rear elevation view thereof; and,
FIG. 5 is a top and rear perspective rear view thereof.

1 Claim, 3 Drawing Sheets



(56)

References Cited

U.S. PATENT DOCUMENTS

D873,089 S * 1/2020 Gillespie D7/607

* cited by examiner

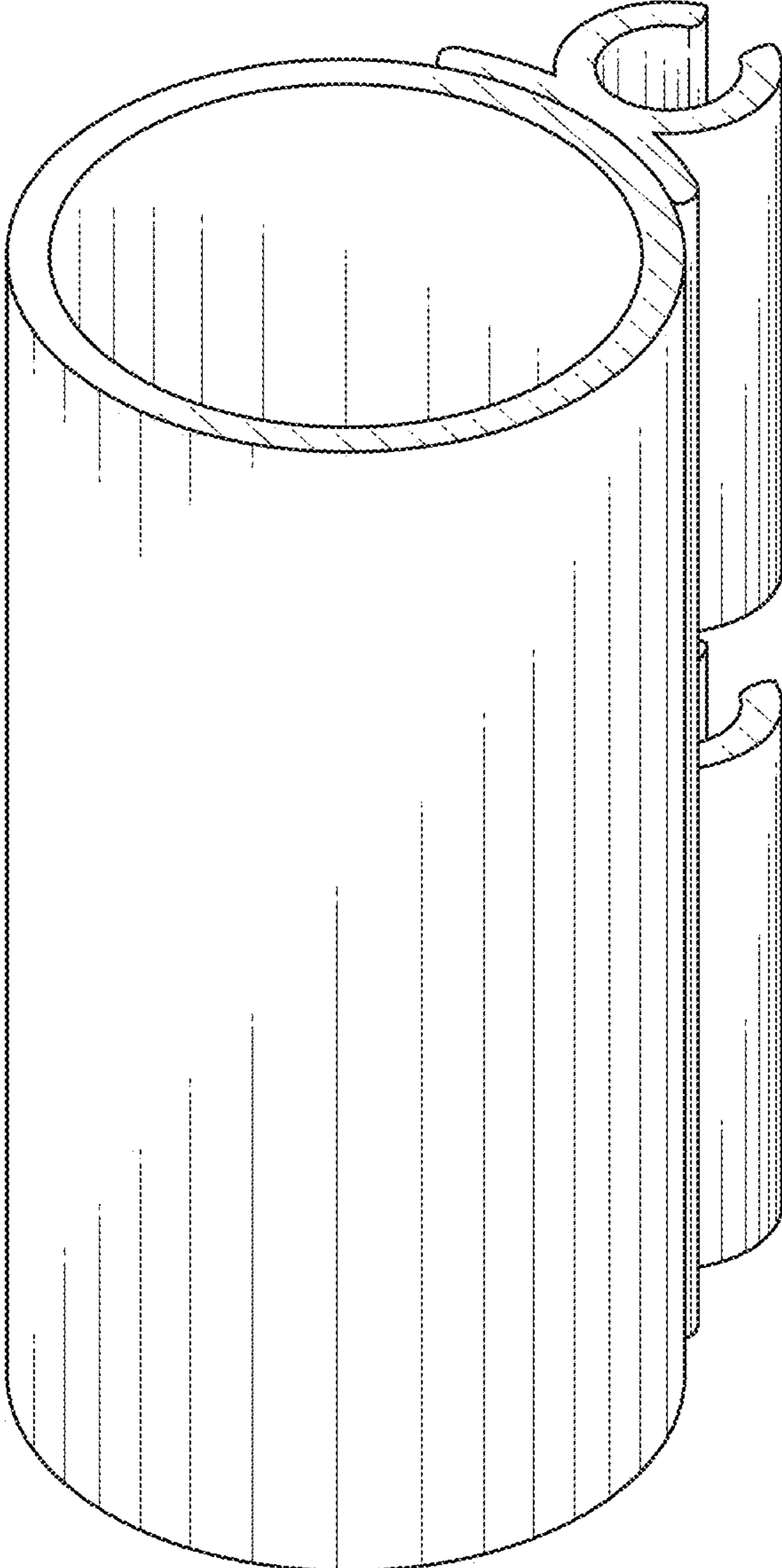


FIG. 1

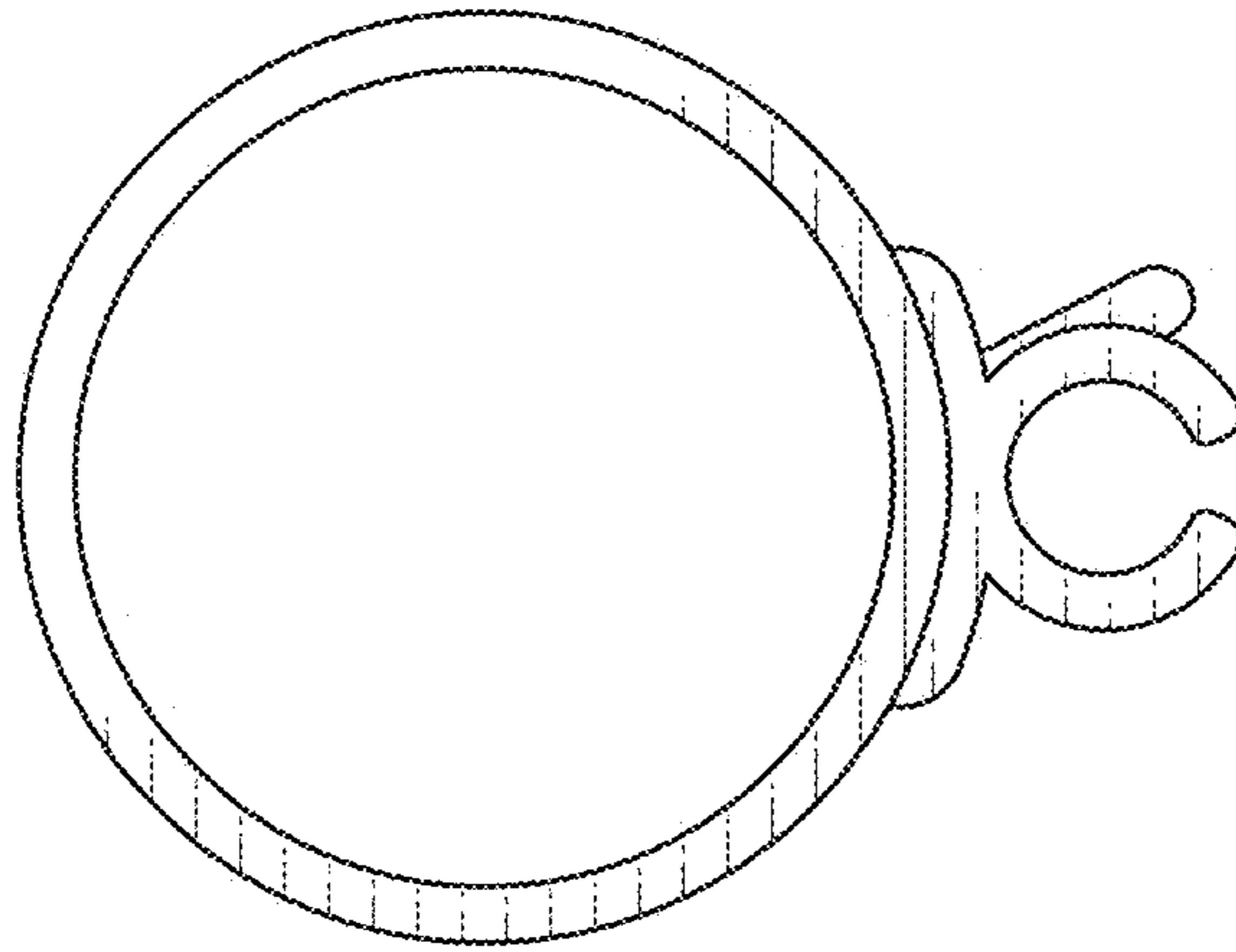


FIG. 2

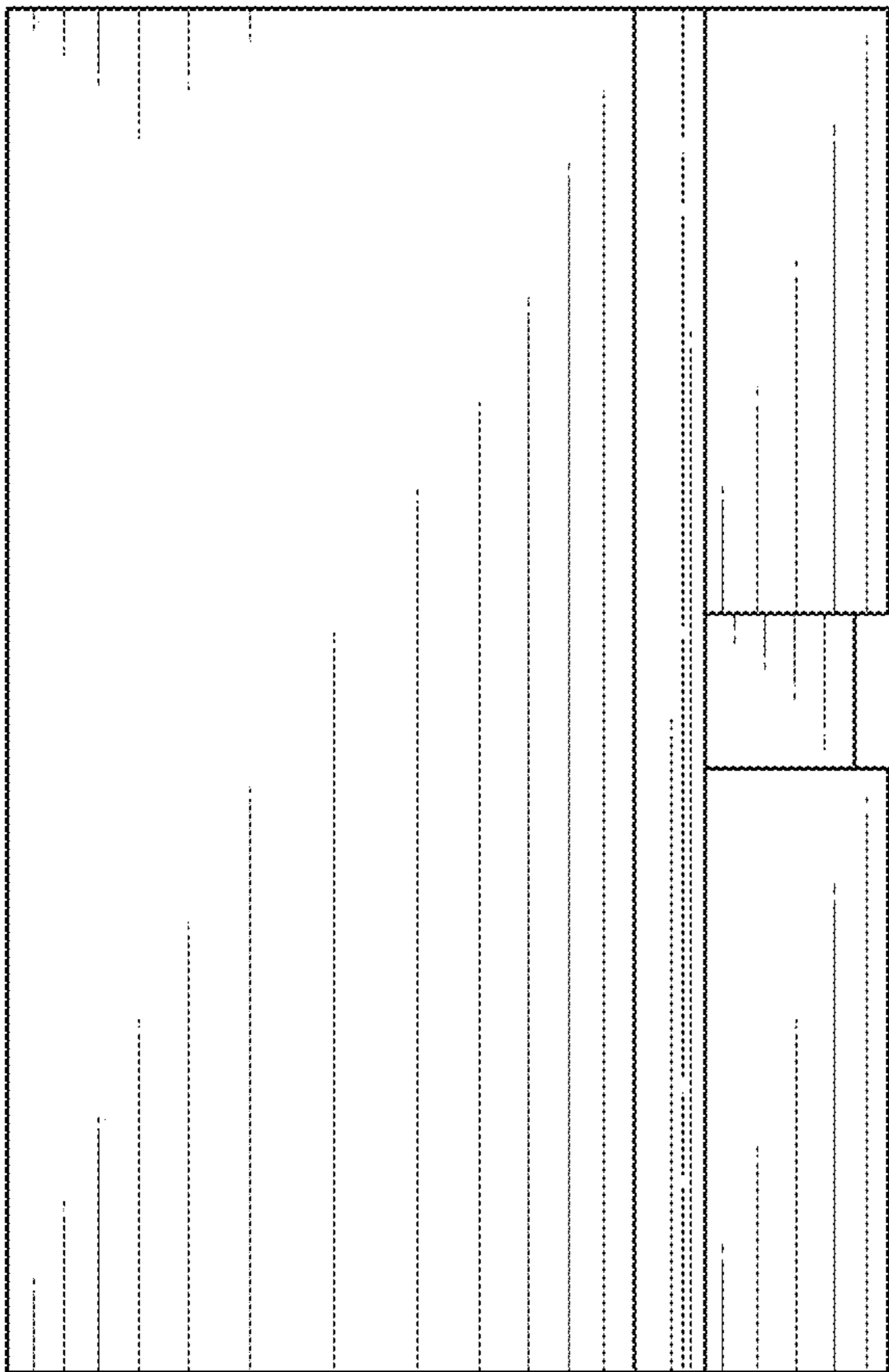


FIG. 3

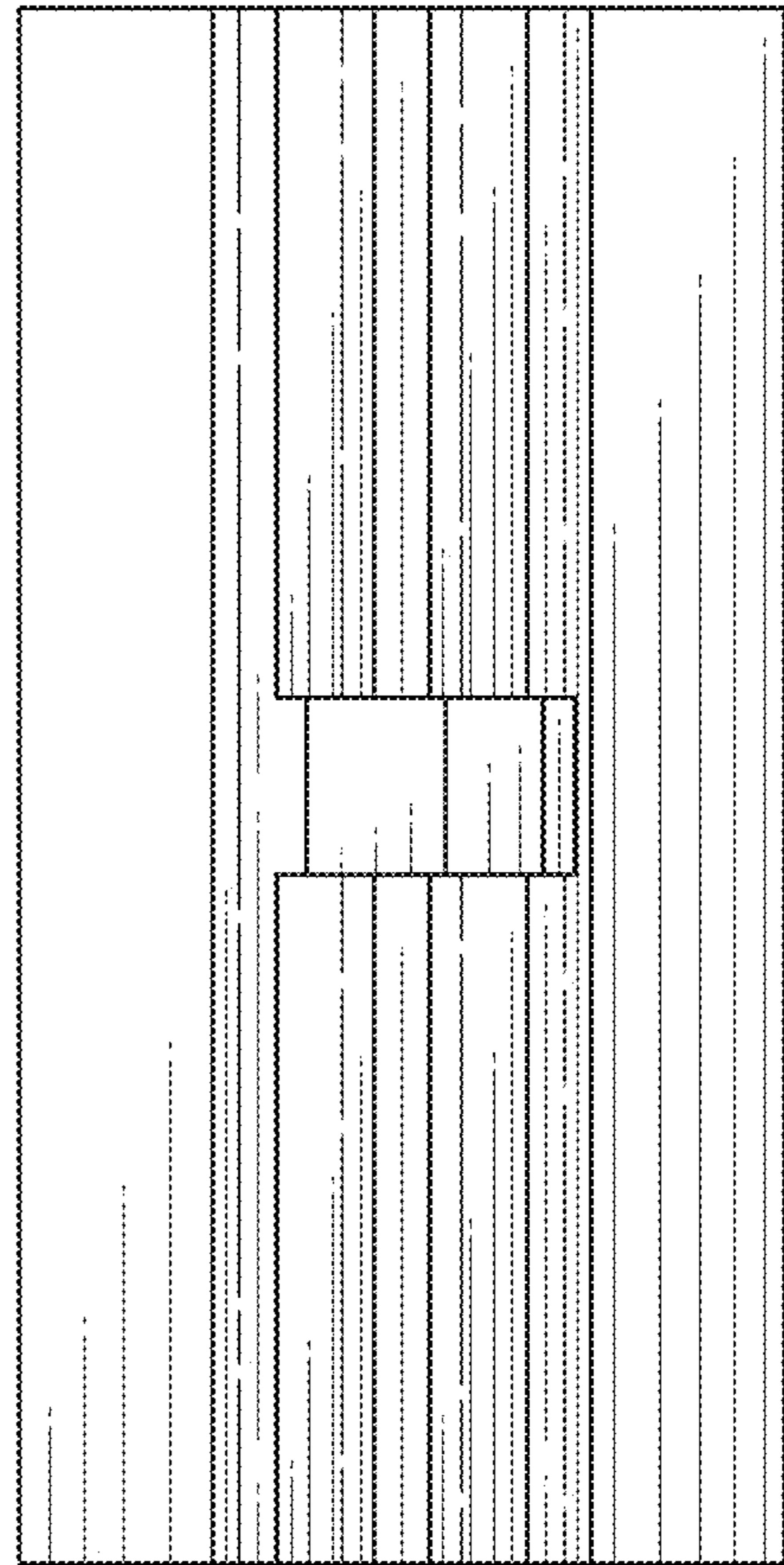


FIG. 4

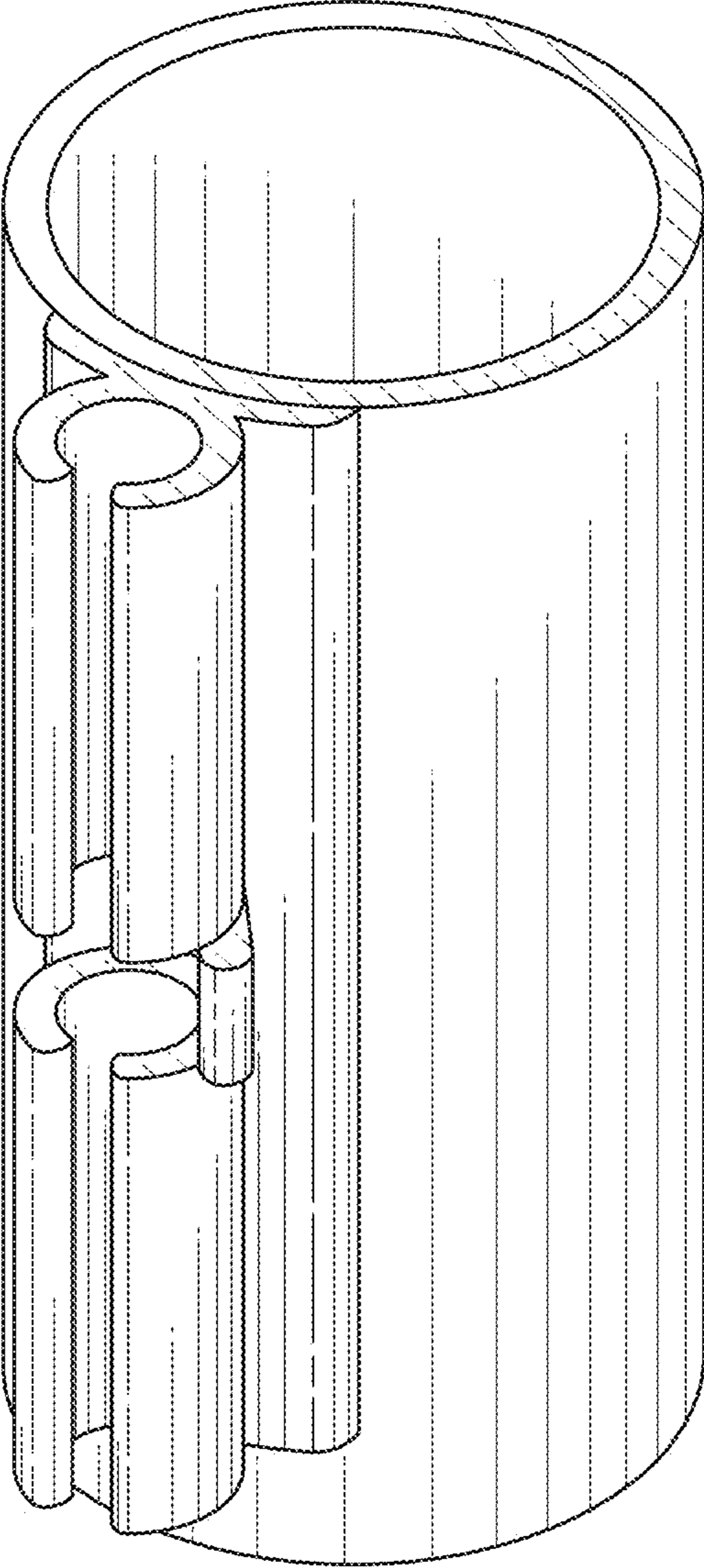


FIG. 5