

US00D897782S

(12) **United States Design Patent** (10) **Patent No.:** **US D897,782 S**  
**Lane** (45) **Date of Patent:** **\*\* Oct. 6, 2020**

(54) **FOOD JAR**  
(71) Applicant: **THERMOS L.L.C.**, Schaumburg, IL (US)  
(72) Inventor: **Marvin Lane**, Wheeling, IL (US)  
(73) Assignee: **Thermos L.L.C.**, Schaumburg, IL (US)  
(\*\*) Term: **15 Years**  
(21) Appl. No.: **29/683,156**  
(22) Filed: **Mar. 11, 2019**  
(51) **LOC (12) Cl.** ..... **07-01**  
(52) **U.S. Cl.**  
USPC ..... **D7/608; D7/629**  
(58) **Field of Classification Search**  
USPC ..... D7/605-608, 629, 630, 612-615,  
D7/509-511; D9/500-505, 549, 559,  
D9/574, 575  
CPC ..... B65D 81/3879; B65D 81/3886; B65D  
81/3823; B65D 81/3841; B65D 23/0885;  
B65D 23/0857; B65D 23/08; B65D  
23/104; B65D 51/247; B65D 25/20;  
B65D 43/0231; B65D 2251/0018; B65D  
2251/0081; B65D 2251/06; A45C 11/20;  
A47G 23/0216; A47G 23/02; A47G  
23/0208; A47G 19/2288; F17C 13/001;  
F25D 3/08; F25D 2331/804  
See application file for complete search history.

(56) **References Cited**  
U.S. PATENT DOCUMENTS  
4,399,926 A \* 8/1983 Eidels-Dubovoy .... B65D 25/32  
220/284  
4,537,044 A \* 8/1985 Putnam ..... A45C 11/20  
220/902  
D593,372 S \* 6/2009 Carreno ..... D7/608  
D629,657 S \* 12/2010 Carreno ..... D7/629

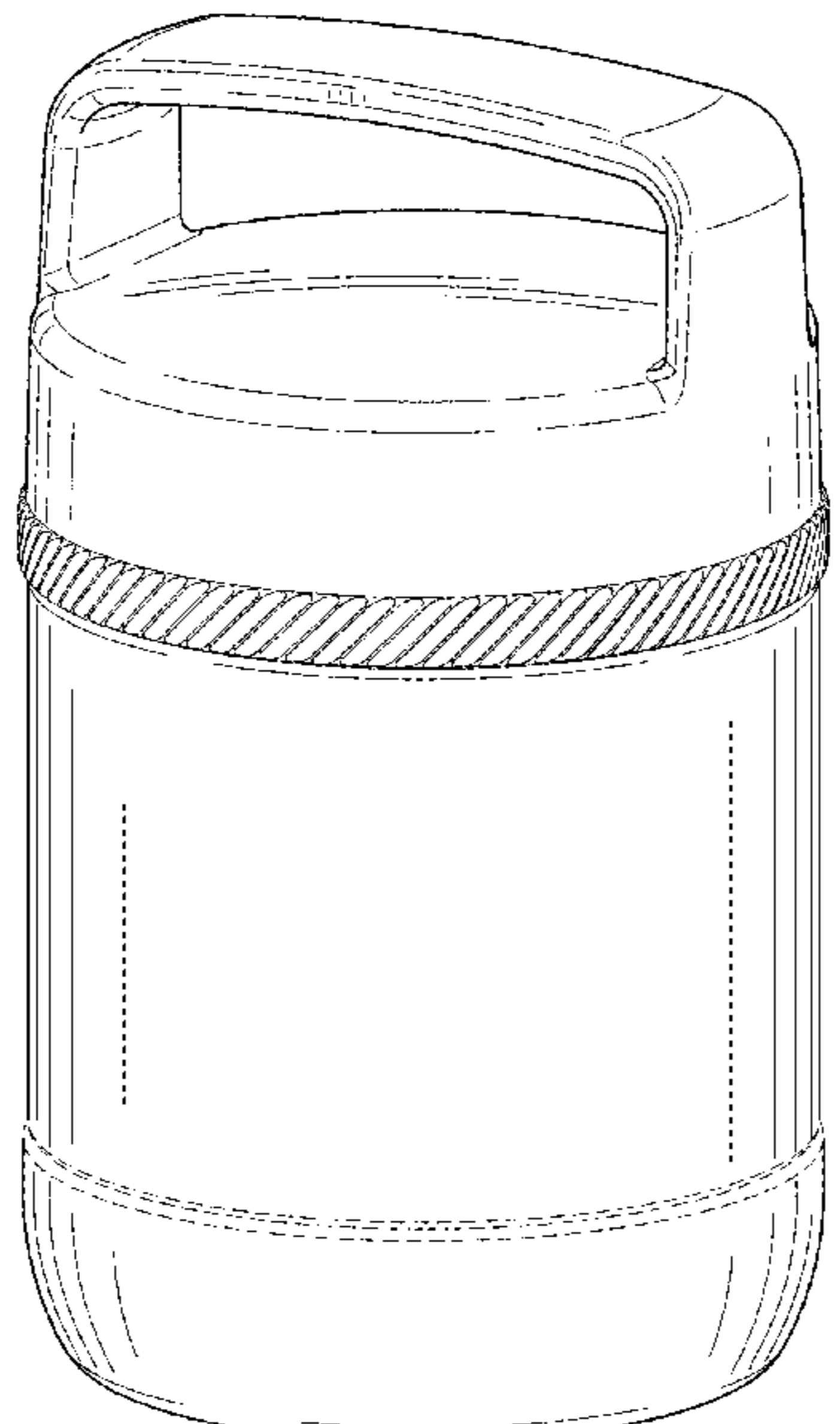
D682,625 S \* 5/2013 Lane ..... D7/629  
8,752,726 B2 \* 6/2014 Molz ..... B65D 81/3876  
220/737  
D741,115 S \* 10/2015 Lane ..... D7/608  
9,211,040 B2 \* 12/2015 Lane ..... A45C 11/20  
2009/0302047 A1 \* 12/2009 Anderson ..... B65D 81/3876  
220/739  
2011/0186585 A1 \* 8/2011 Lu ..... B65D 41/04  
220/575  
2012/0024875 A1 \* 2/2012 Zerda ..... B65D 81/3886  
220/739  
2013/0248537 A1 \* 9/2013 Lane ..... B65D 25/2888  
220/574.3  
2014/0091097 A1 \* 4/2014 Lane ..... B65D 81/3837  
220/592.2  
2015/0362244 A1 \* 12/2015 Sporre ..... F25D 3/08  
62/457.4

\* cited by examiner  
*Primary Examiner* — Terry A Wallace  
(74) *Attorney, Agent, or Firm* — Polsinelli PC

(57) **CLAIM**  
The ornamental design for a food jar, as shown and described.

**DESCRIPTION**  
FIG. 1 is a perspective view of the food jar;  
FIG. 2 is a front view of the food jar;  
FIG. 3 is a rear view of the food jar;  
FIG. 4 is a right side view of the food jar;  
FIG. 5 is a left side view of the food jar;  
FIG. 6 is a top view of the food jar; and,  
FIG. 7 is a bottom view of the food jar.  
The broken lines showing in the figures are included for the purpose of illustrating portions of the food jar that form no part of the claimed design. The dash-dot lines showing in the figures are included for defining the bounds of the claimed design that form no part thereof.

**1 Claim, 7 Drawing Sheets**



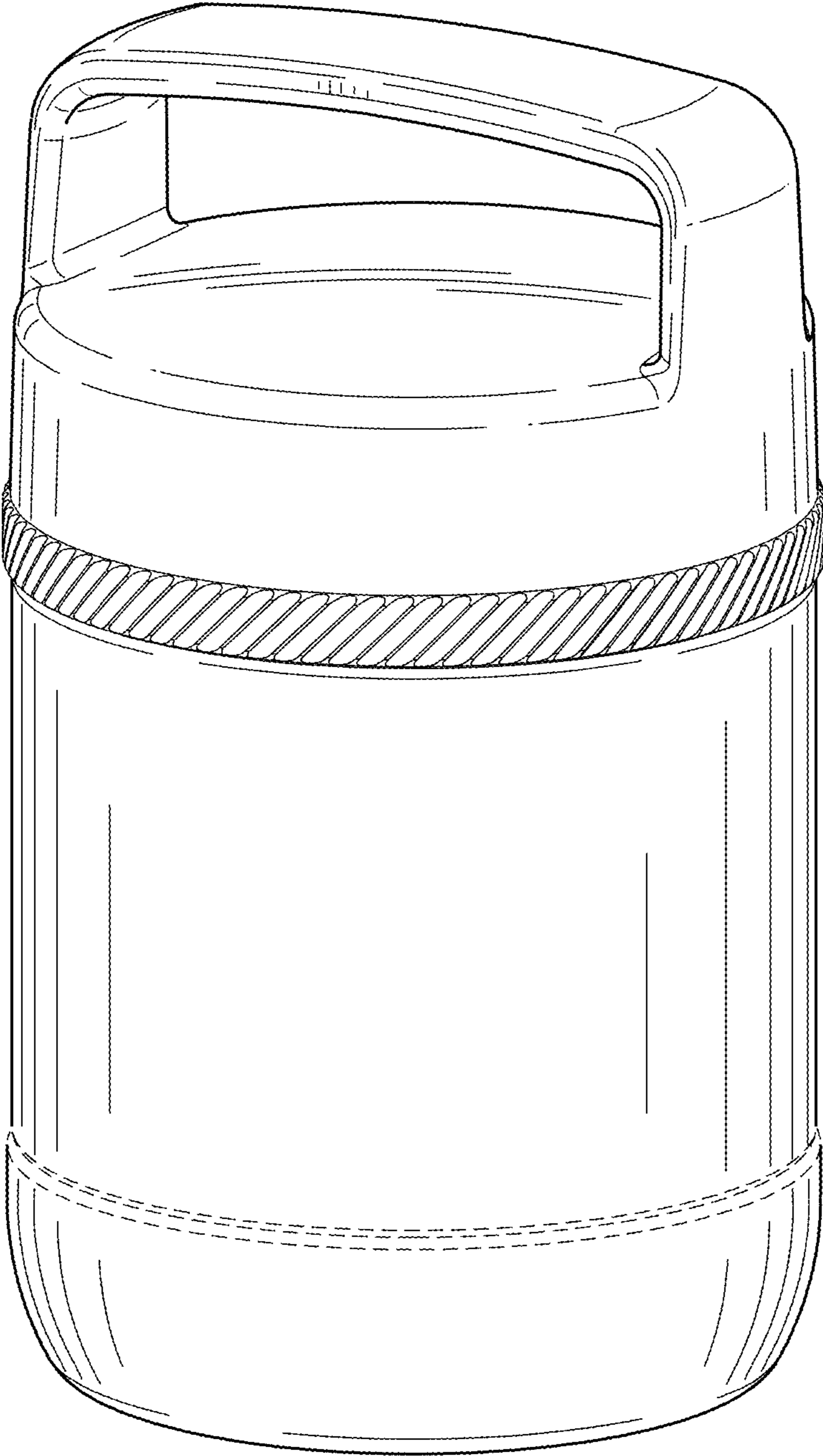


FIG. 1

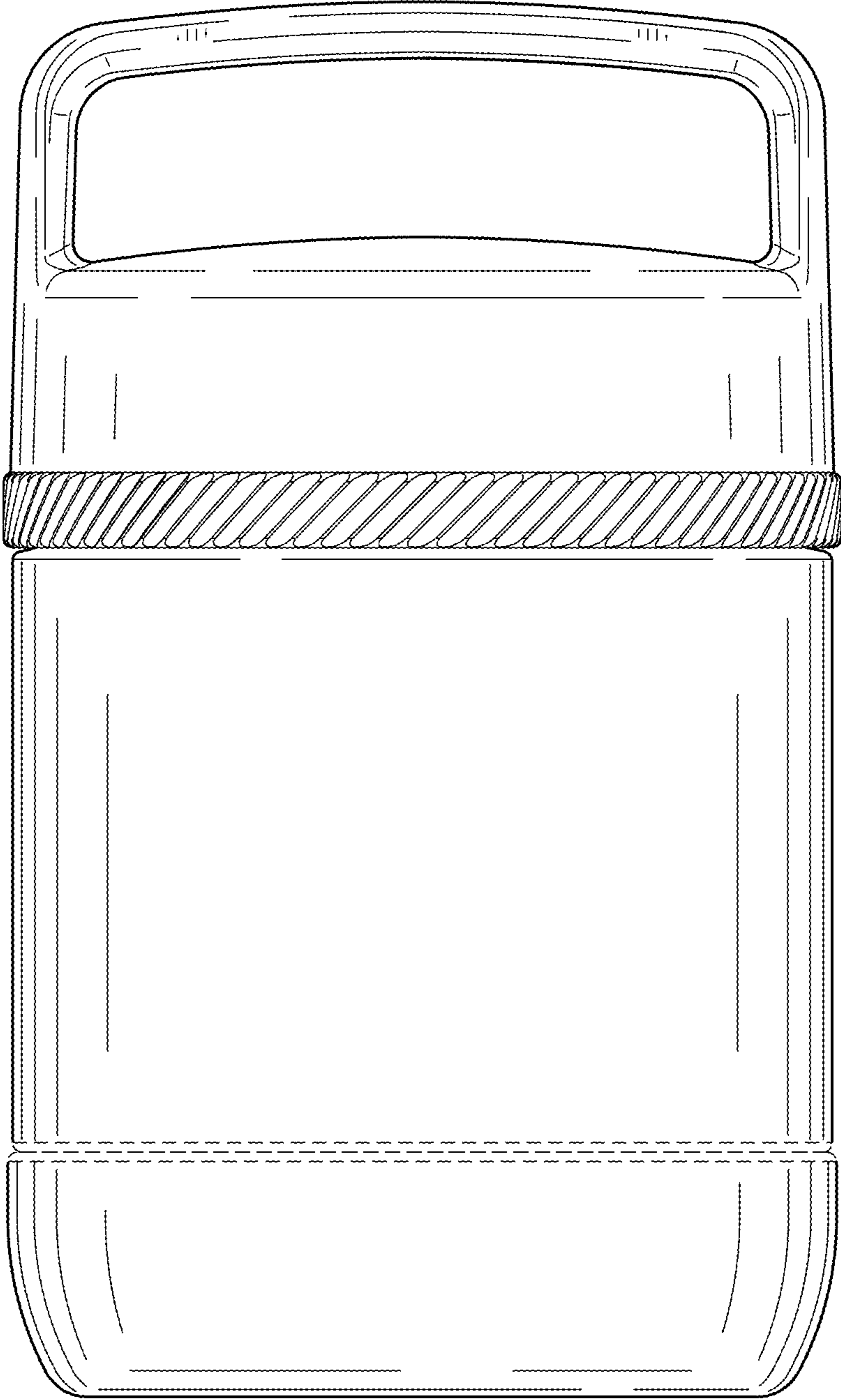


FIG. 2

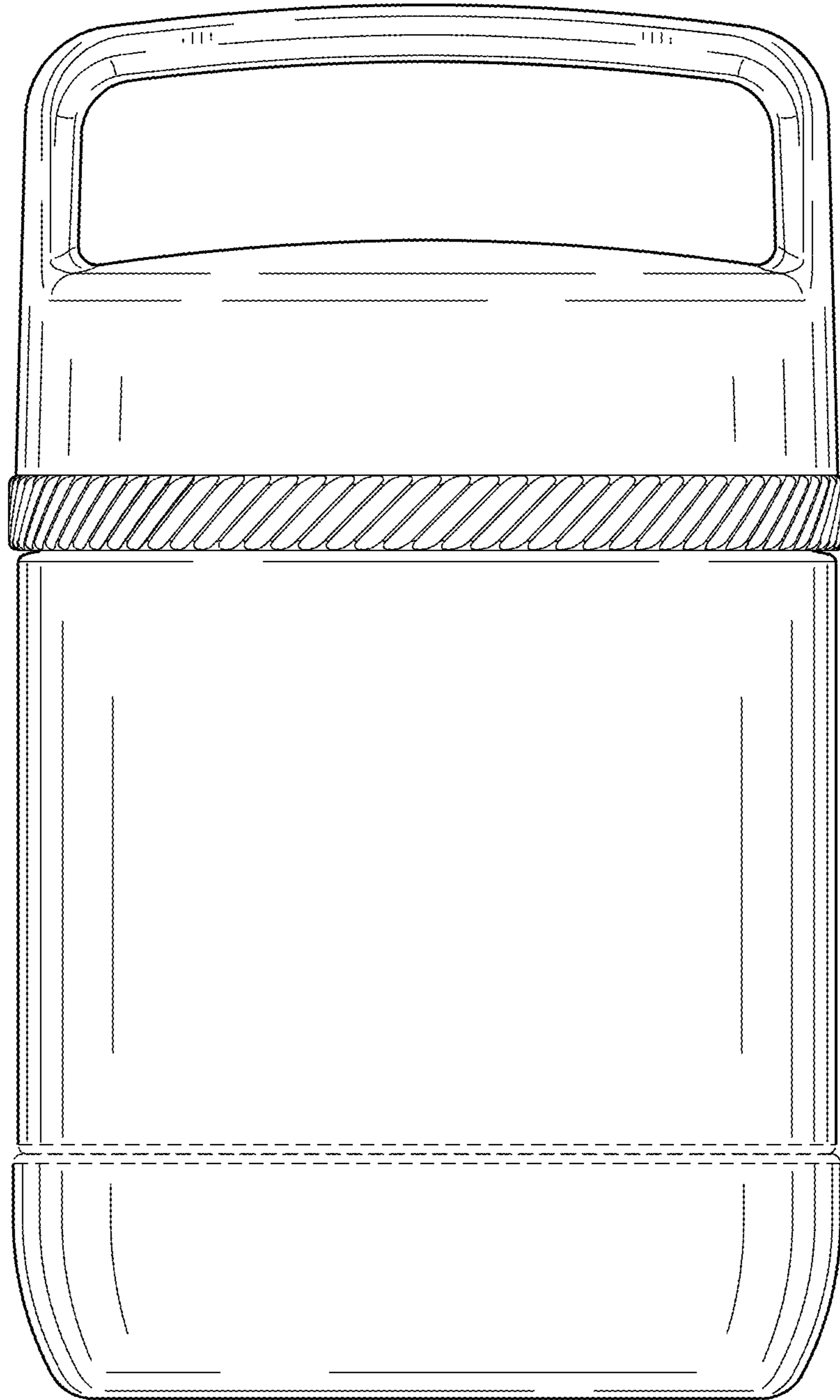


FIG. 3

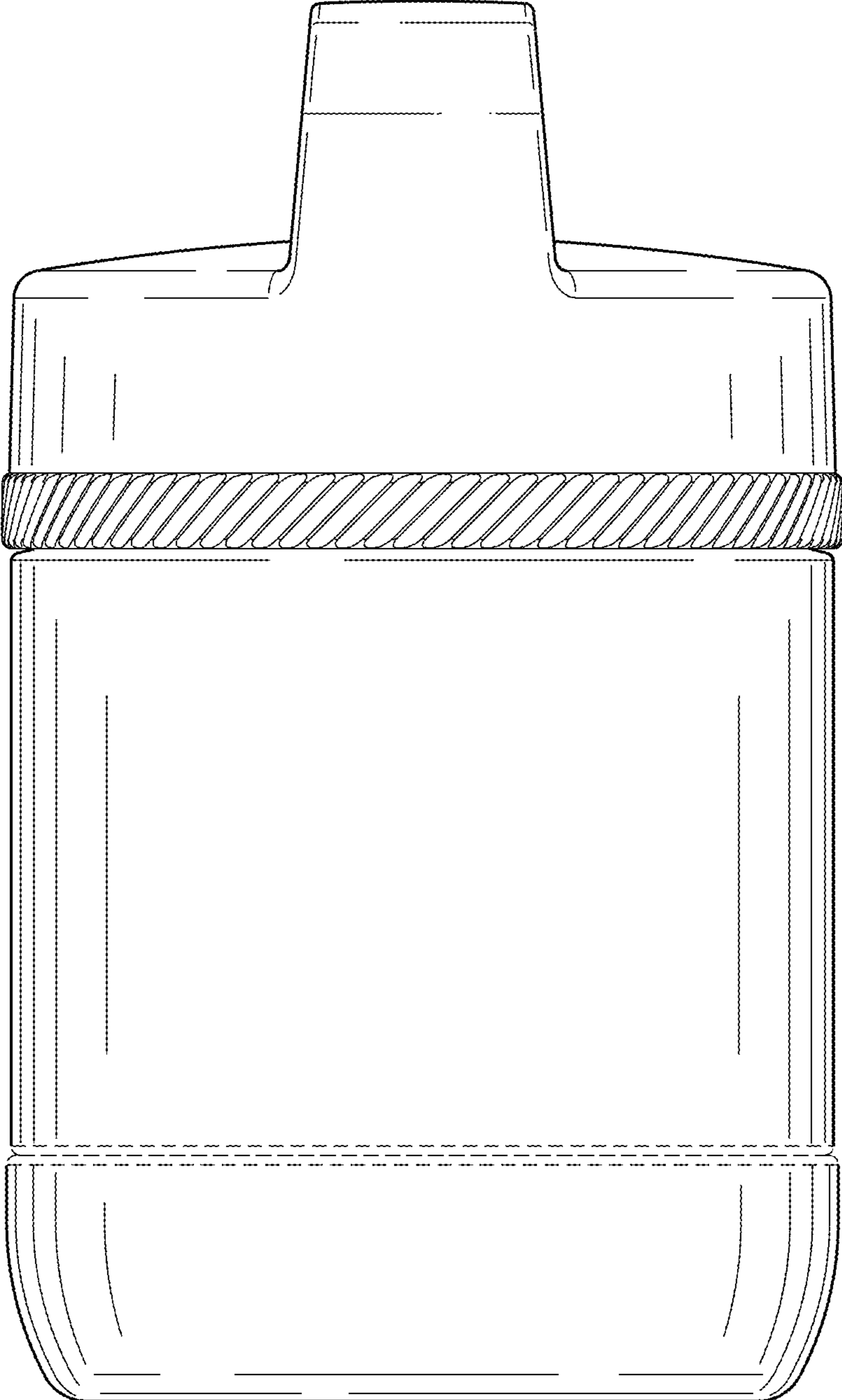


FIG. 4

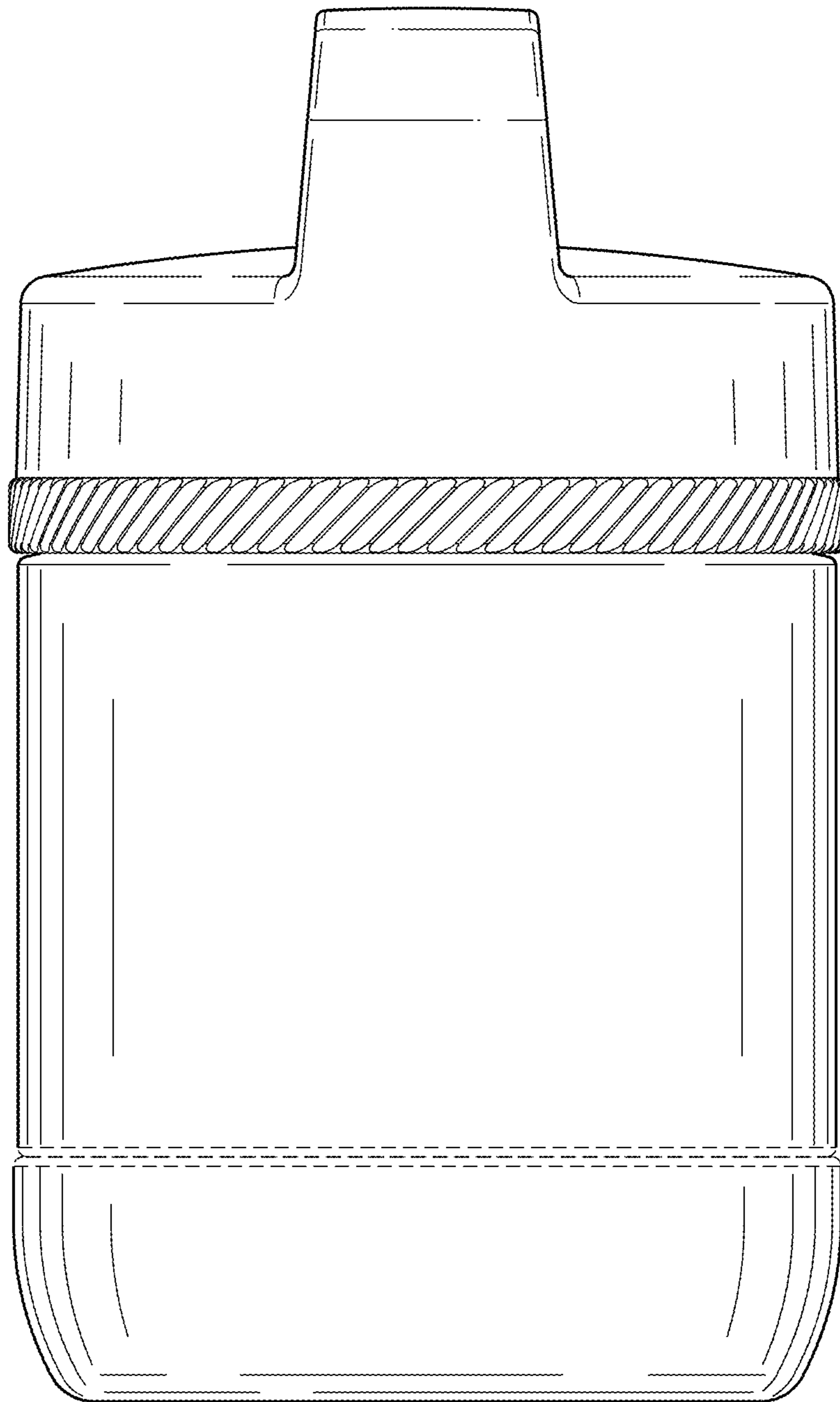


FIG. 5

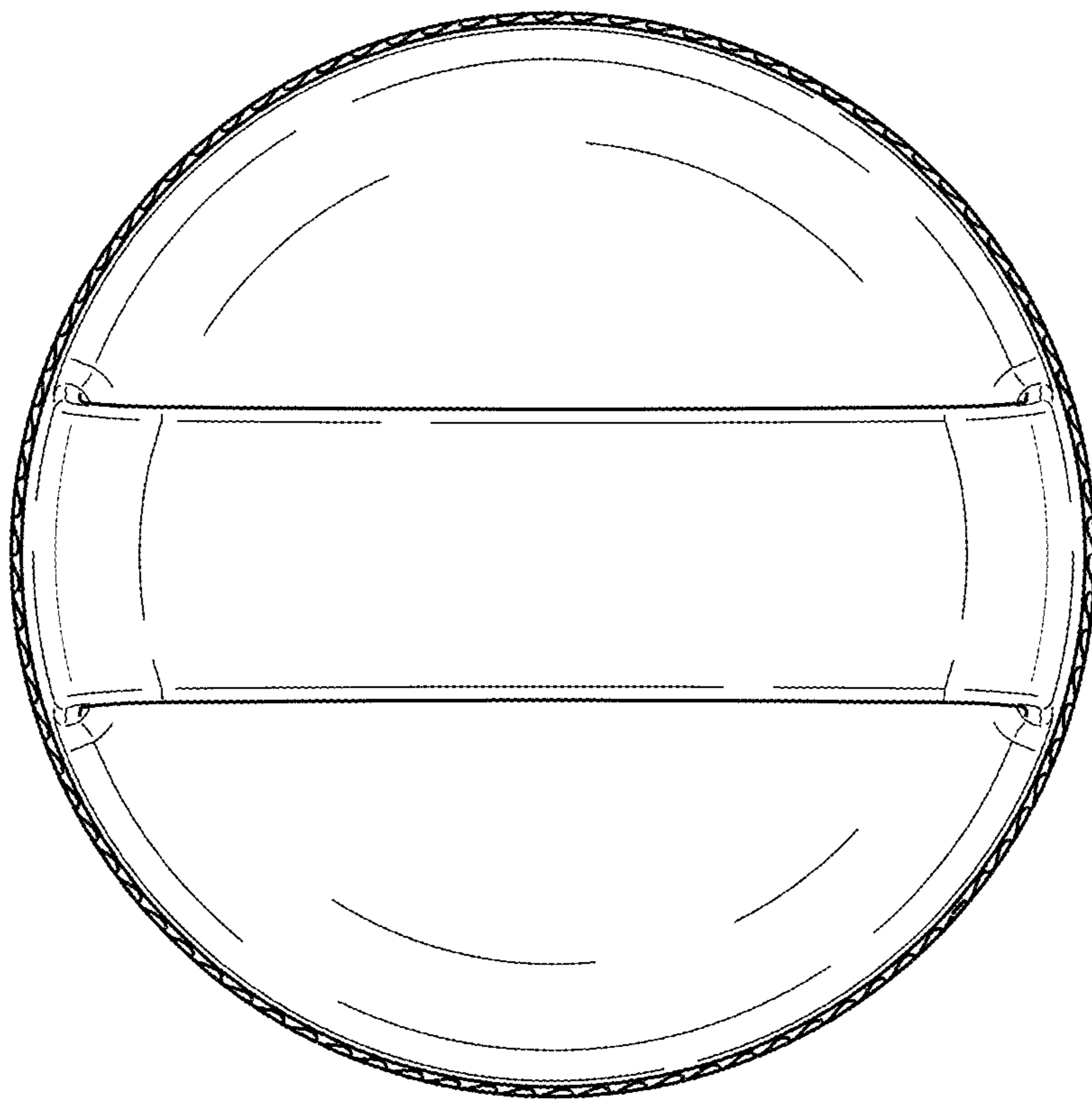


FIG. 6

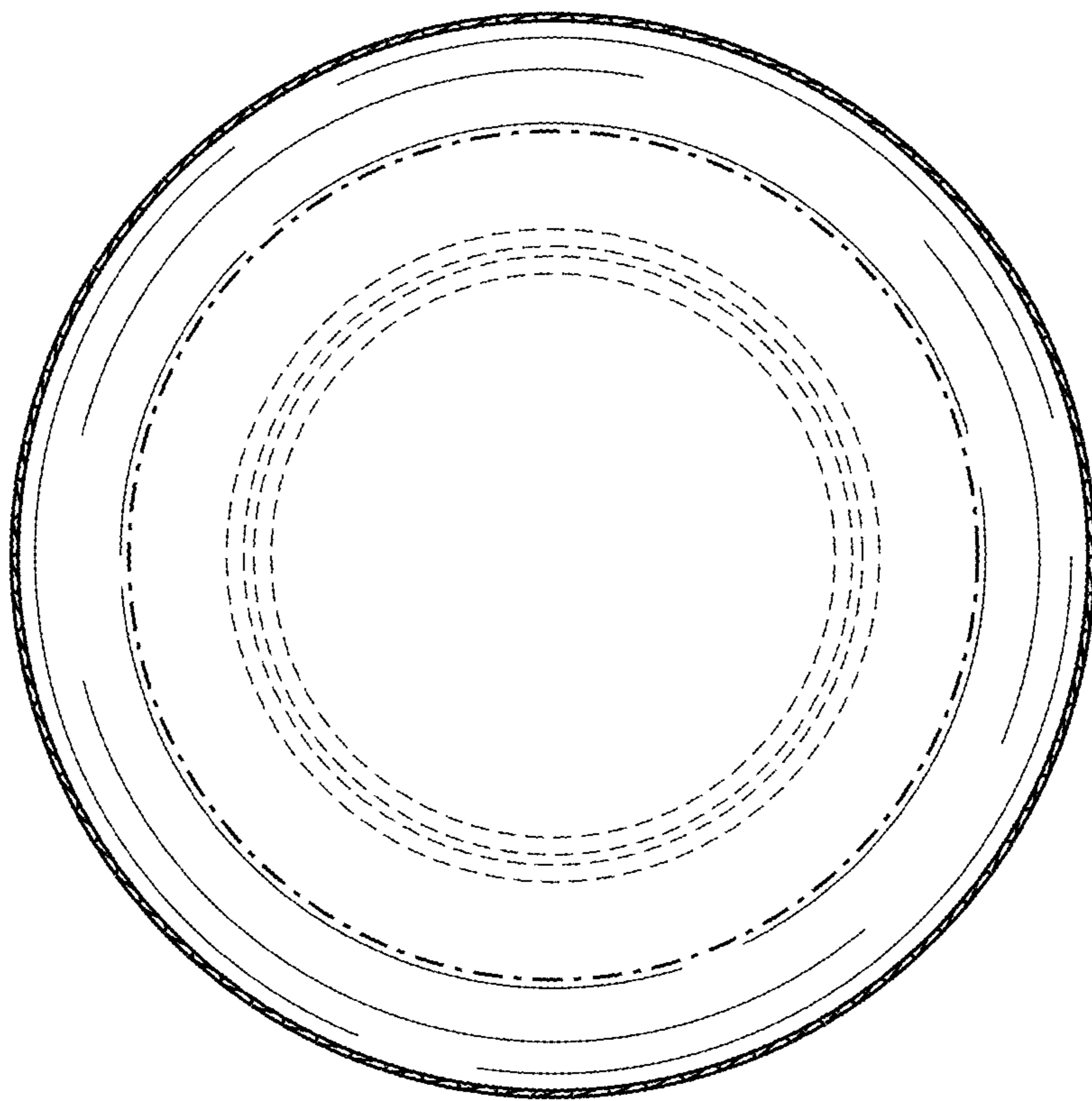


FIG. 7