



US00D897776S

(12) **United States Design Patent** (10) **Patent No.:** **US D897,776 S**  
**Pan** (45) **Date of Patent:** **\*\* Oct. 6, 2020**

(54) **KETTLE**

(71) Applicant: **Yuejin Pan**, Hubei (CN)

(72) Inventor: **Yuejin Pan**, Hubei (CN)

(\*\*) Term: **15 Years**

(21) Appl. No.: **29/737,972**

(22) Filed: **Jun. 12, 2020**

(51) **LOC (12) Cl.** ..... **07-01**

(52) **U.S. Cl.**

USPC ..... **D7/510; D7/511; D7/529**

(58) **Field of Classification Search**

USPC ..... D7/507, 509, 510, 511, 529, 531, 532,  
D7/523, 533, 534, 535, 536, 392.1, 296.1,  
D7/396.2; D9/531, 503, 516, 517, 435;  
D3/202

CPC ..... A47G 19/22; A47G 19/2288; A47G  
19/2205; A47G 19/2266; A45F 3/16

See application file for complete search history.

(56) **References Cited**

**U.S. PATENT DOCUMENTS**

D528,862 S *	9/2006	Li	.....	D7/510
D529,339 S *	10/2006	Carreno	.....	D7/511
D590,661 S *	4/2009	Kitamura	.....	D7/510
D596,460 S *	7/2009	Nezu	.....	D7/510
RE42,484 E *	6/2011	Kitamura	.....	D7/510
8,550,269 B2 *	10/2013	Lane	..... B65D	47/0885 215/229
D772,652 S	11/2016	Yao		
D779,885 S *	2/2017	Crowder	.....	D7/532
D787,268 S *	5/2017	Matsuo	.....	D7/510
D798,111 S	9/2017	Yao		
D804,904 S *	12/2017	Noveletsky	.....	D7/510
D808,721 S *	1/2018	Soni	.....	D7/510
D821,815 S *	7/2018	Chung	.....	D7/510
D839,044 S *	1/2019	Potter	.....	D7/392

D853,195 S	7/2019	Chen		
D860,800 S *	9/2019	Hao	.....	D9/540
D879,555 S *	3/2020	Wang	.....	D7/510
D890,564 S *	7/2020	Hao	.....	D7/392.1
D892,560 S *	8/2020	Wang	.....	D7/511
2014/0048511 A1 *	2/2014	El-Saden	.....	A47G 19/2266 215/389
2017/0253395 A1 *	9/2017	Matthis	.....	A47G 19/2272

**OTHER PUBLICATIONS**

[https://www.amazon.com/Fidus-Gallon-Motivational-Paracord-Removable/dp/B0878XXTST/ref=cm\\_arp\\_d\\_product\\_top?ie=UTF8](https://www.amazon.com/Fidus-Gallon-Motivational-Paracord-Removable/dp/B0878XXTST/ref=cm_arp_d_product_top?ie=UTF8) (Year: 2020).\*

\* cited by examiner

*Primary Examiner* — Jae Liang

(74) *Attorney, Agent, or Firm* — ScienBiziP, P.C.

(57) **CLAIM**

The ornamental design for a kettle, as shown and described.

**DESCRIPTION**

FIG. 1 is a front and right perspective view of a kettle, showing my design.

FIG. 2 is a back and left perspective view thereof.

FIG. 3 is a front elevation view thereof.

FIG. 4 is a rear elevation view thereof.

FIG. 5 is a left side elevation view thereof.

FIG. 6 is a right side elevation view thereof.

FIG. 7 is a top plan view thereof.

FIG. 8 is a bottom plan view thereof; and,

FIG. 9 is an enlarged view of an area labeled 9 in FIG. 2.

The broken lines are for environmental structure, boundaries, or illustrative purposes only and form no part of the claimed designs to be patented.

**1 Claim, 9 Drawing Sheets**



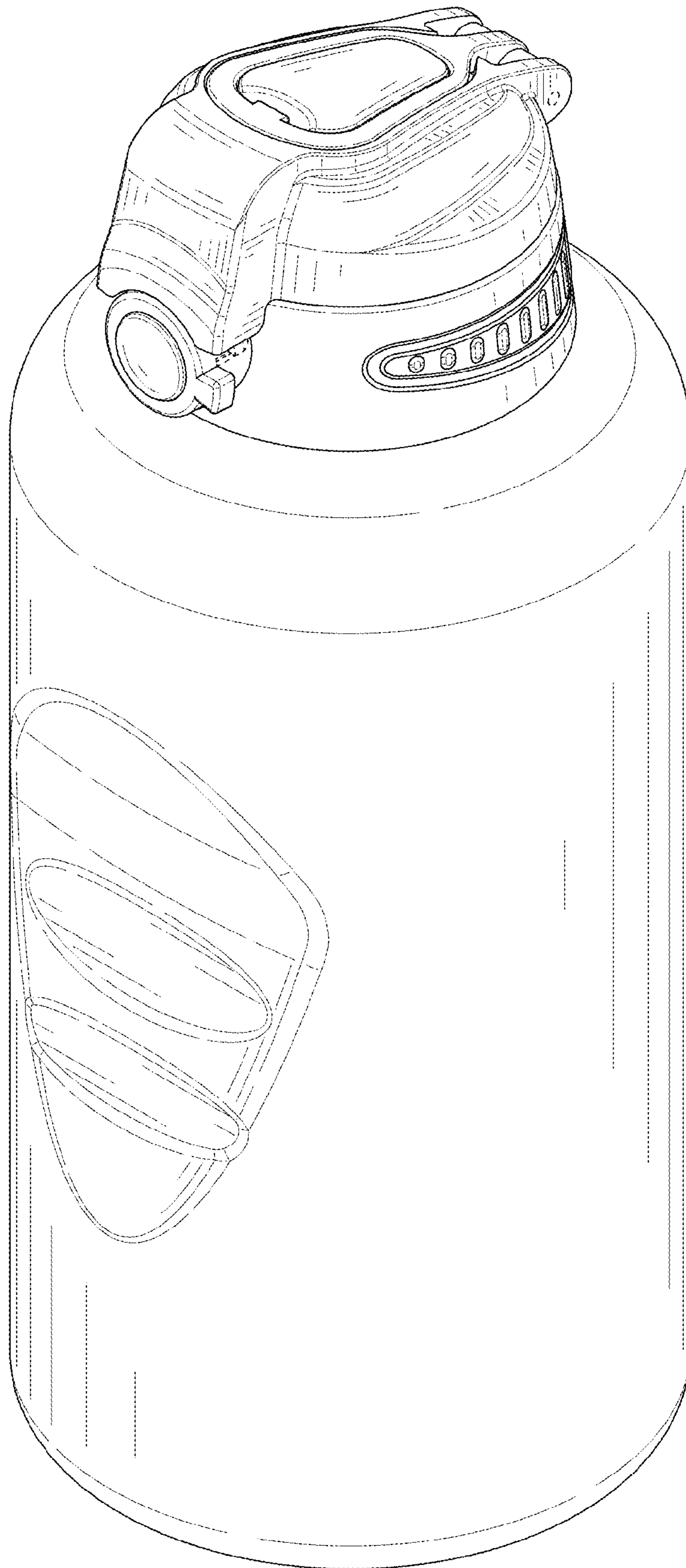


FIG. 1

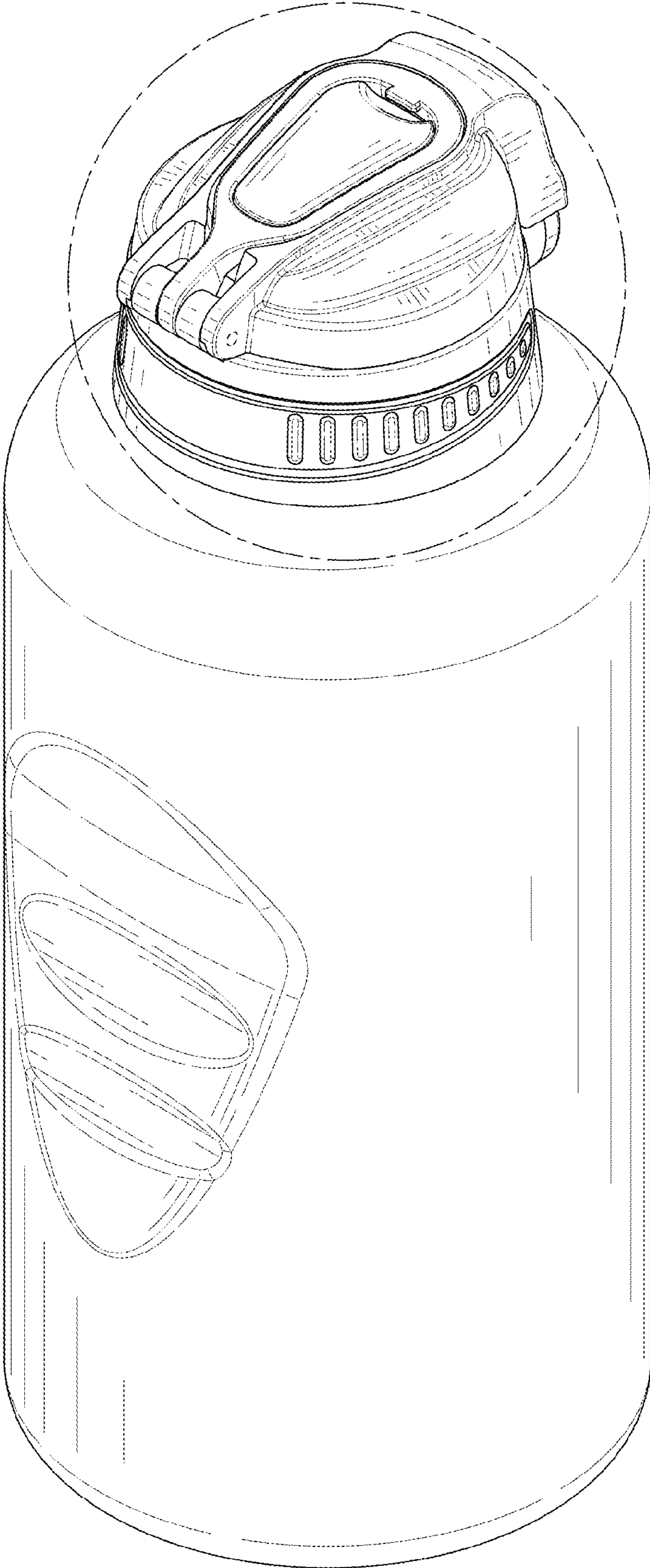


FIG. 2



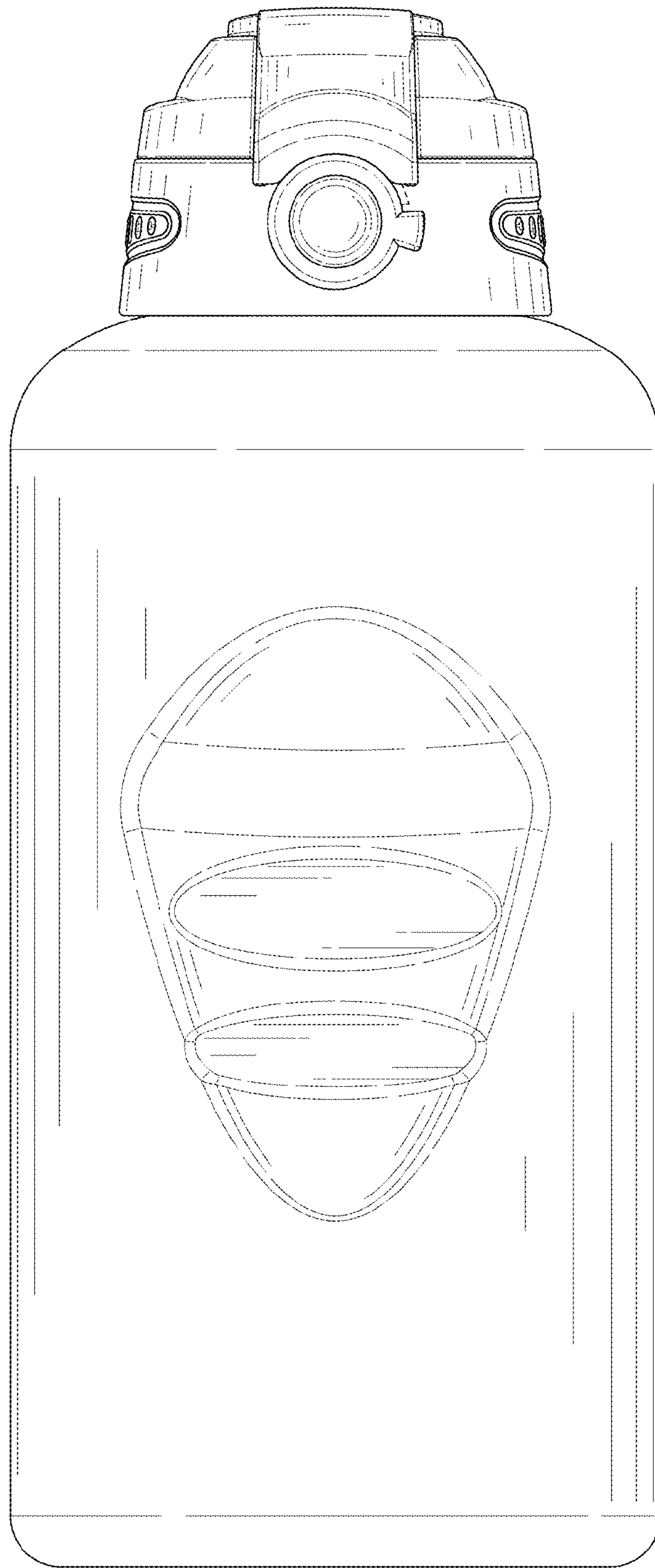


FIG. 3

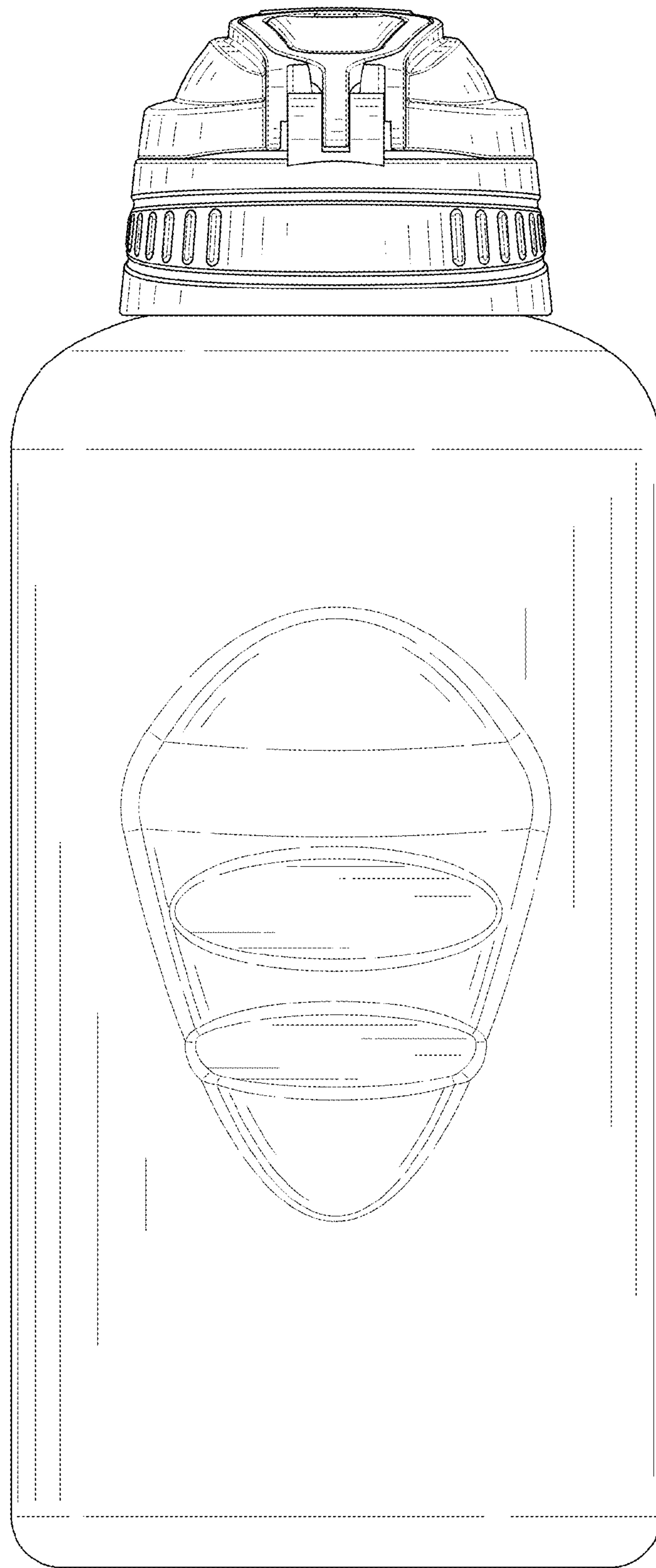


FIG. 4

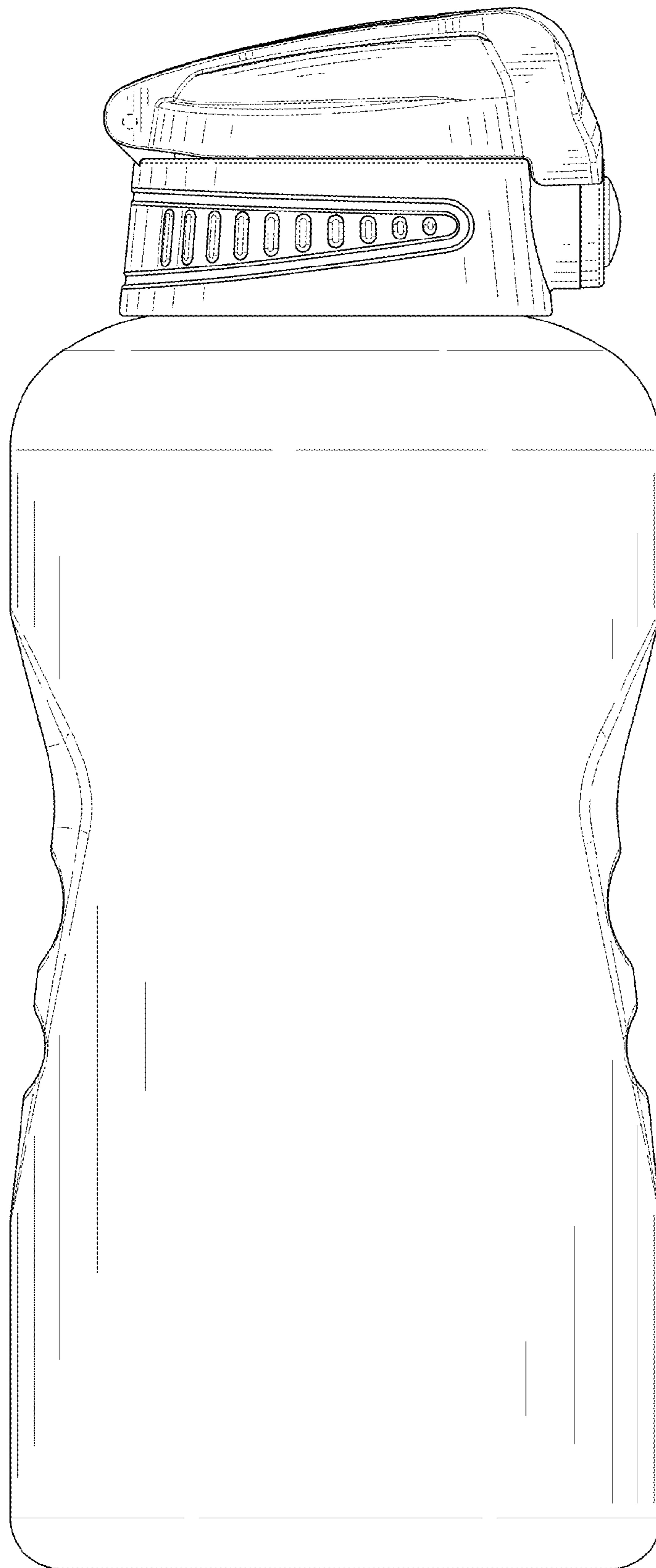


FIG. 5

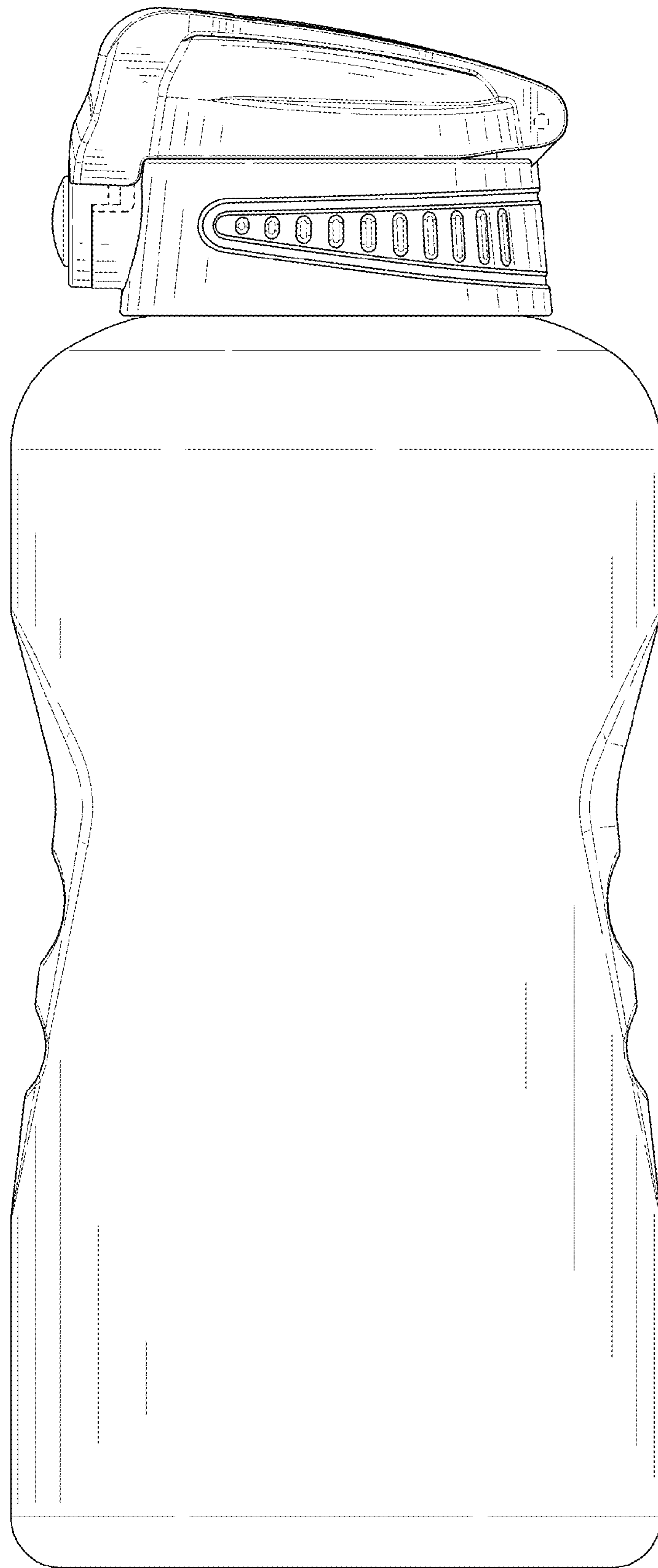


FIG. 6

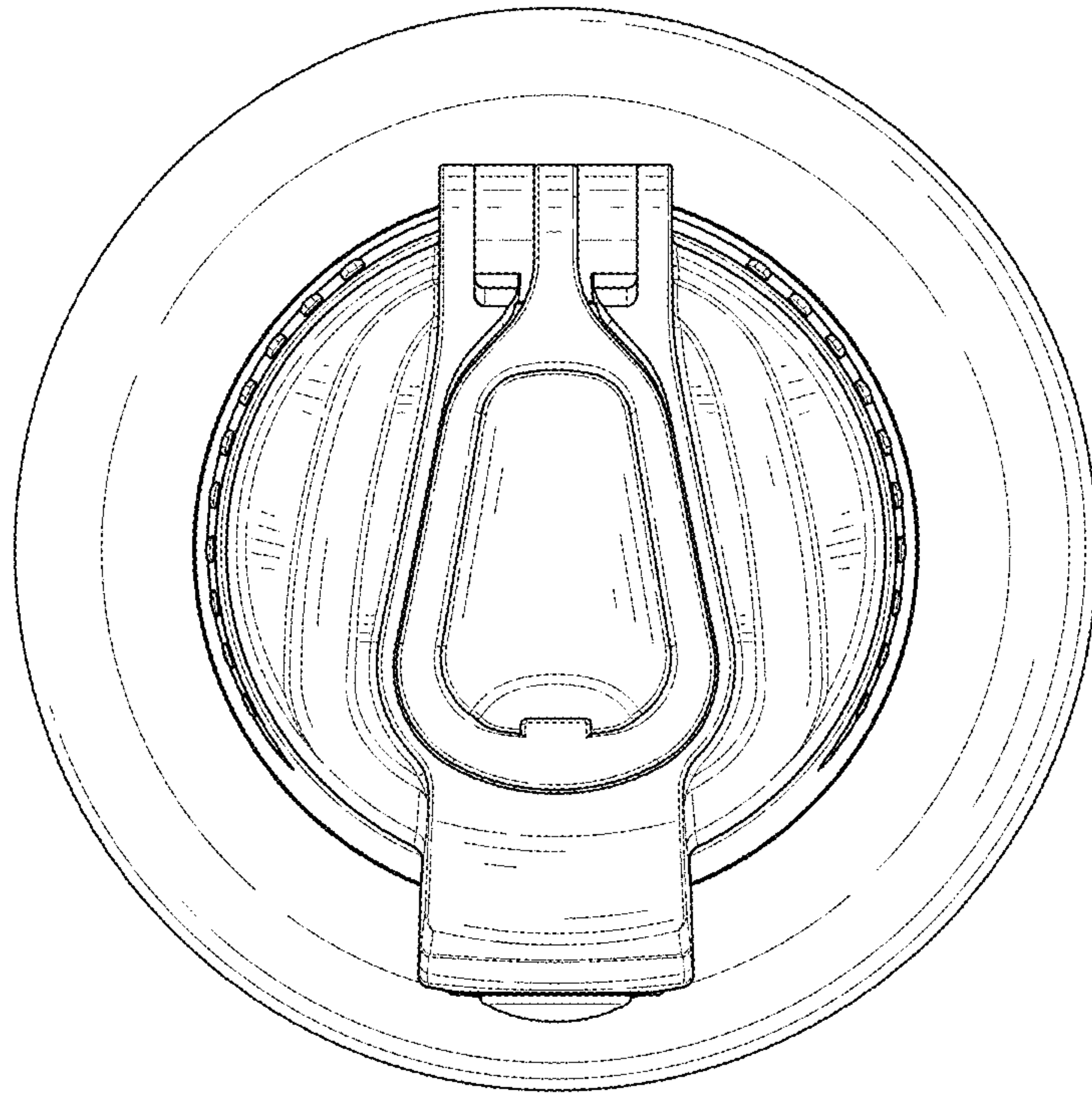


FIG. 7



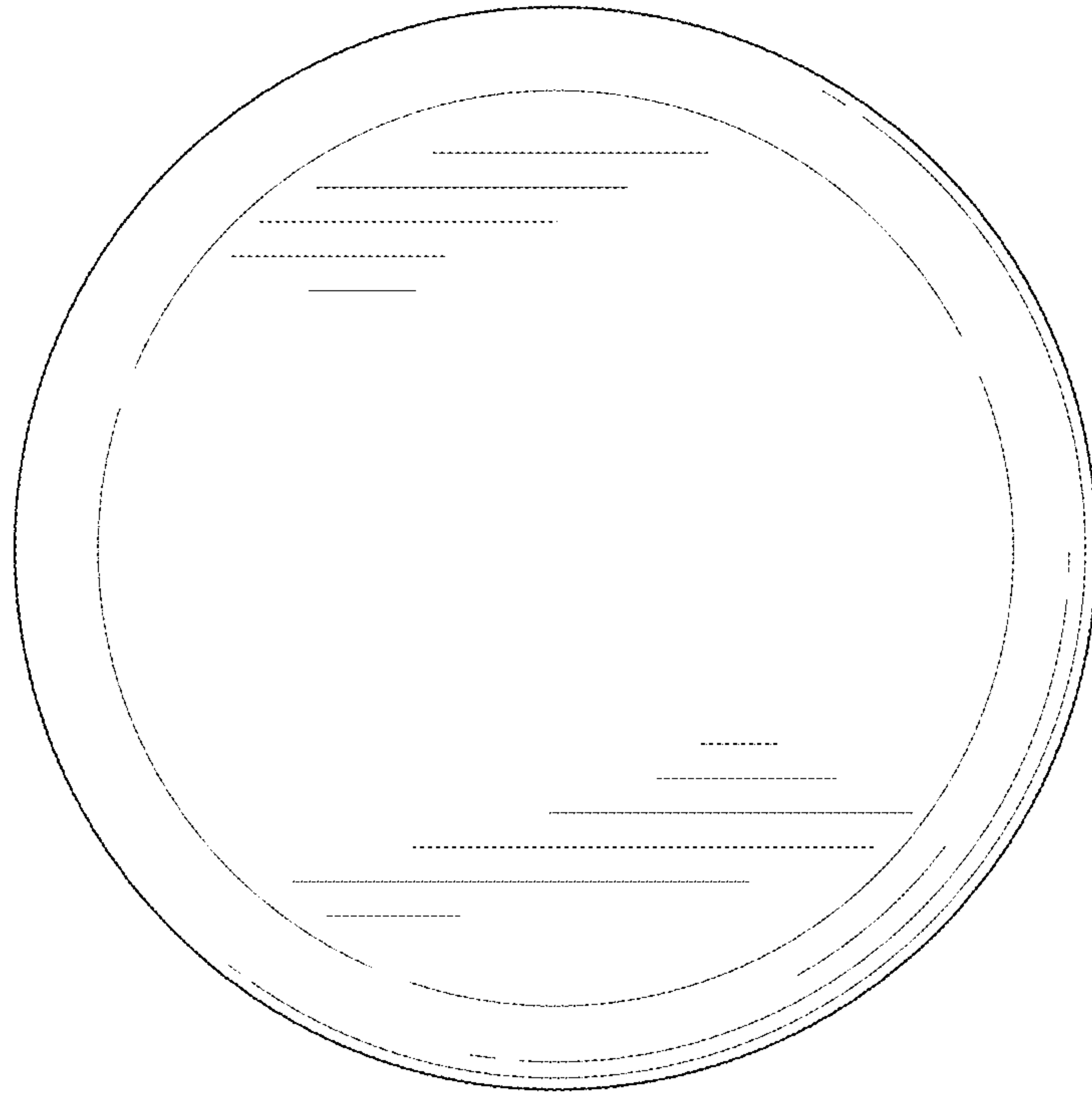


FIG. 8

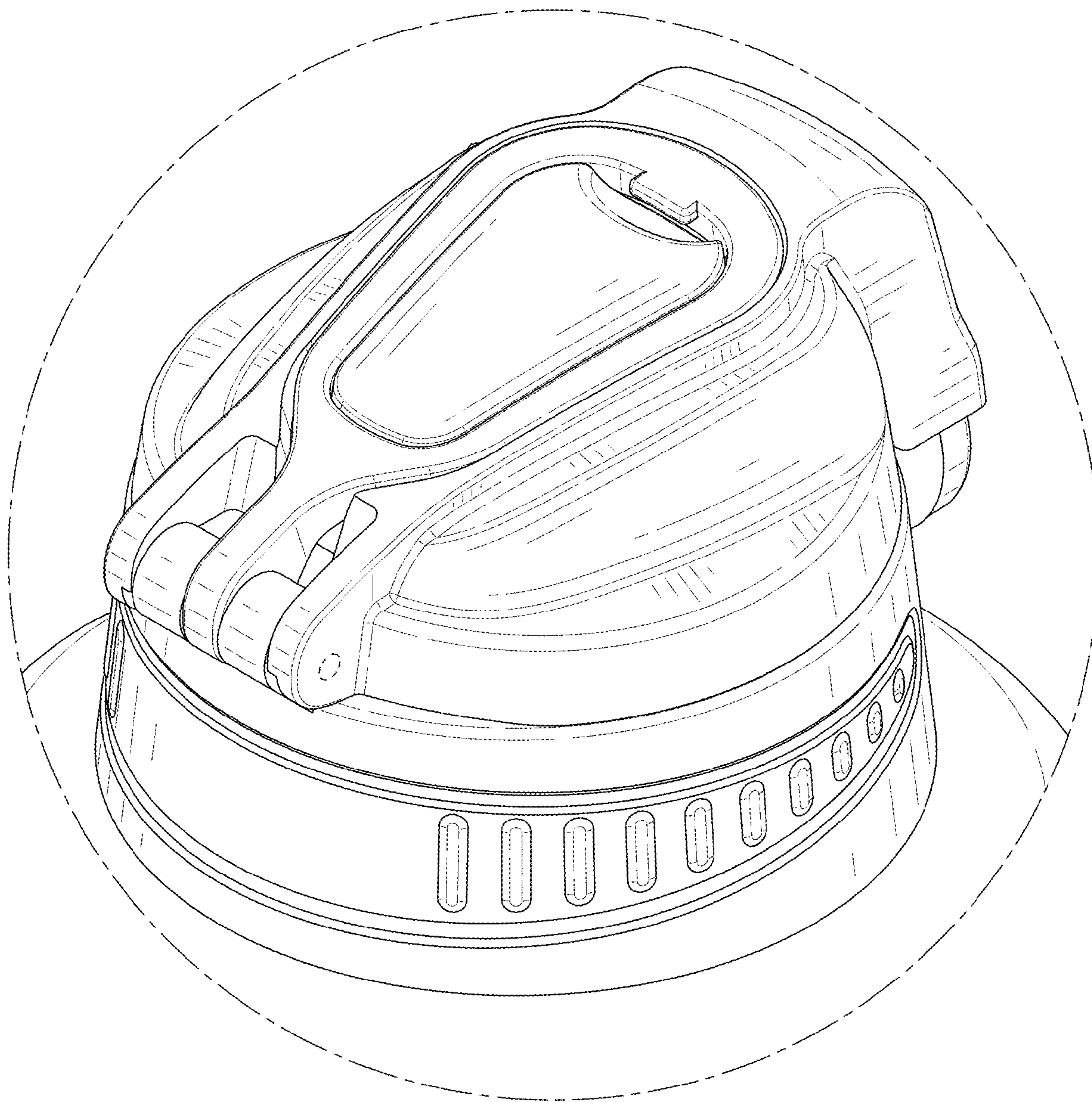


FIG. 9