



US00D897775S

(12) **United States Design Patent**
Wang et al.

(10) **Patent No.:** **US D897,775 S**
(45) **Date of Patent:** **** Oct. 6, 2020**

(54) **WATER BOTTLE**

(71) Applicant: **SHEN ZHEN QUICK FIT PLASTIC CO., LTD.**, Shenzhen (CN)

(72) Inventors: **Qi Wang**, Shenzhen (CN); **Hui Kang**, Shenzhen (CN)

(**) Term: **15 Years**

(21) Appl. No.: **29/727,022**

(22) Filed: **Mar. 7, 2020**

(30) **Foreign Application Priority Data**

Nov. 5, 2019 (CN) 2019 3 0607040

(51) **LOC (12) Cl.** **07-01**

(52) **U.S. Cl.**
USPC **D7/510; D7/511; D7/529**

(58) **Field of Classification Search**
USPC D7/507, 509, 510, 511, 529, 531, 532,
D7/523, 533, 534, 535, 536, 392.1, 296.1,
D7/396.2; D9/531, 503, 516, 517, 435;
D3/202

CPC A47G 19/22; A47G 19/2288; A47G
19/2205; A47G 19/2266; A45F 3/16

See application file for complete search history.

(56) **References Cited**

U.S. PATENT DOCUMENTS

D370,153 S * 5/1996 Chaney D7/503
D518,335 S * 4/2006 Naft A47G 19/2266
D7/320
D757,495 S * 5/2016 Parker D7/507
D807,110 S 1/2018 Lown

D807,701 S * 1/2018 Bo D7/507
D830,783 S * 10/2018 Diener D7/608
D838,138 S * 1/2019 Yao D7/507
D856,757 S * 8/2019 Seiders D7/608
D875,479 S 2/2020 Seiders et al.

OTHER PUBLICATIONS

<https://www.amazon.com/QuiFit-Motivational-Leak-Proof-Durable-Enthusiasts/dp/B083RR1Y5N> (Year: 2020).*

* cited by examiner

Primary Examiner — Jae Liang

(74) *Attorney, Agent, or Firm* — Erson IP (Nelson IP)

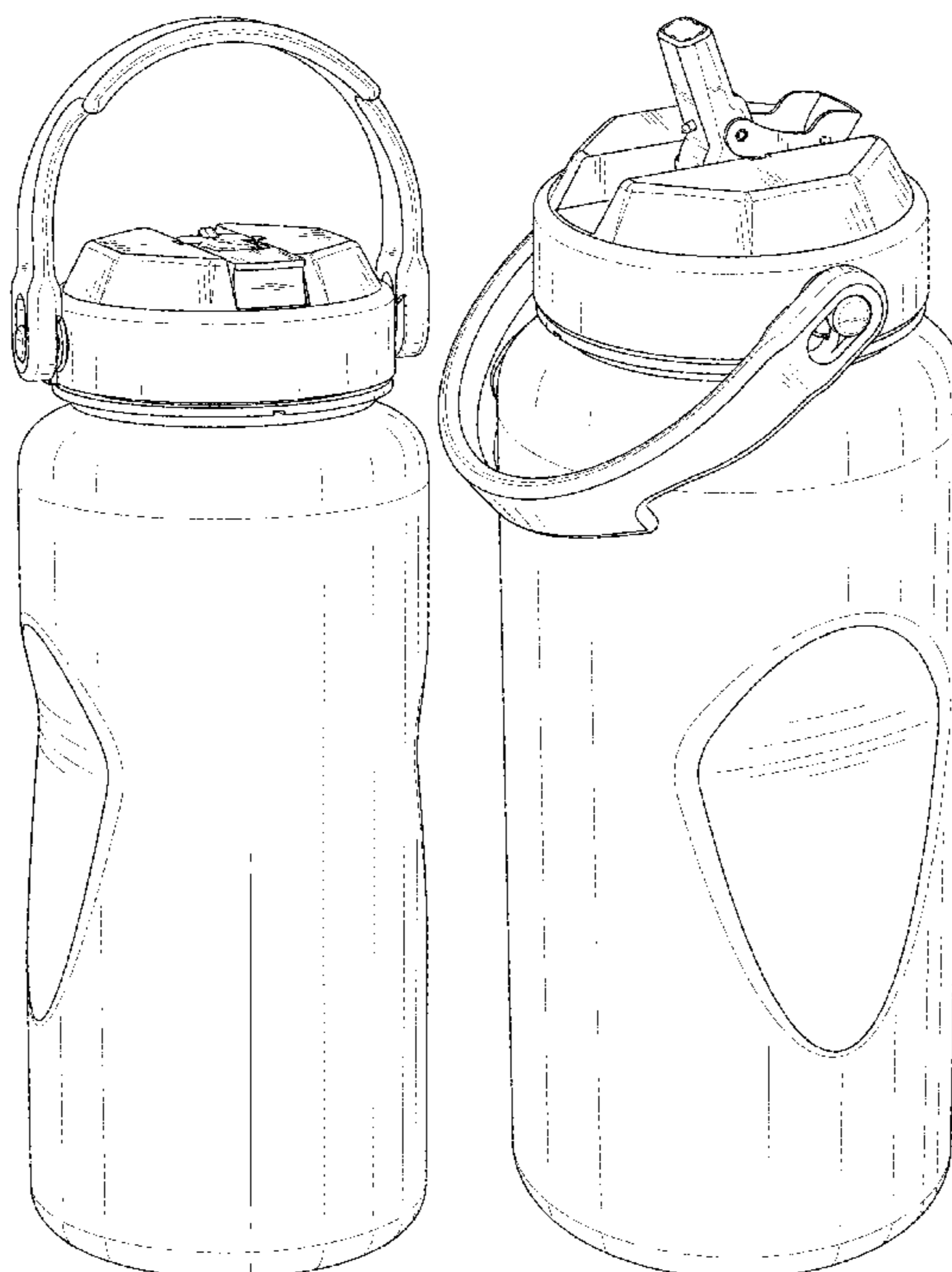
(57) **CLAIM**

The ornamental design for a water bottle, as shown and described.

DESCRIPTION

FIG. 1 is a perspective view of a water bottle showing my new design;
FIG. 2 is a perspective view in its open position;
FIG. 3 is a front view thereof;
FIG. 4 is a rear view thereof;
FIG. 5 is a left side view thereof;
FIG. 6 is a right side view thereof;
FIG. 7 is a top plan view thereof;
FIG. 8 is a bottom plan view thereof; and,
FIG. 9 is a right side view thereof in its open position.
The broken lines are for the purposes of illustrating portions of the water bottle and form no part of the claimed design.

1 Claim, 9 Drawing Sheets



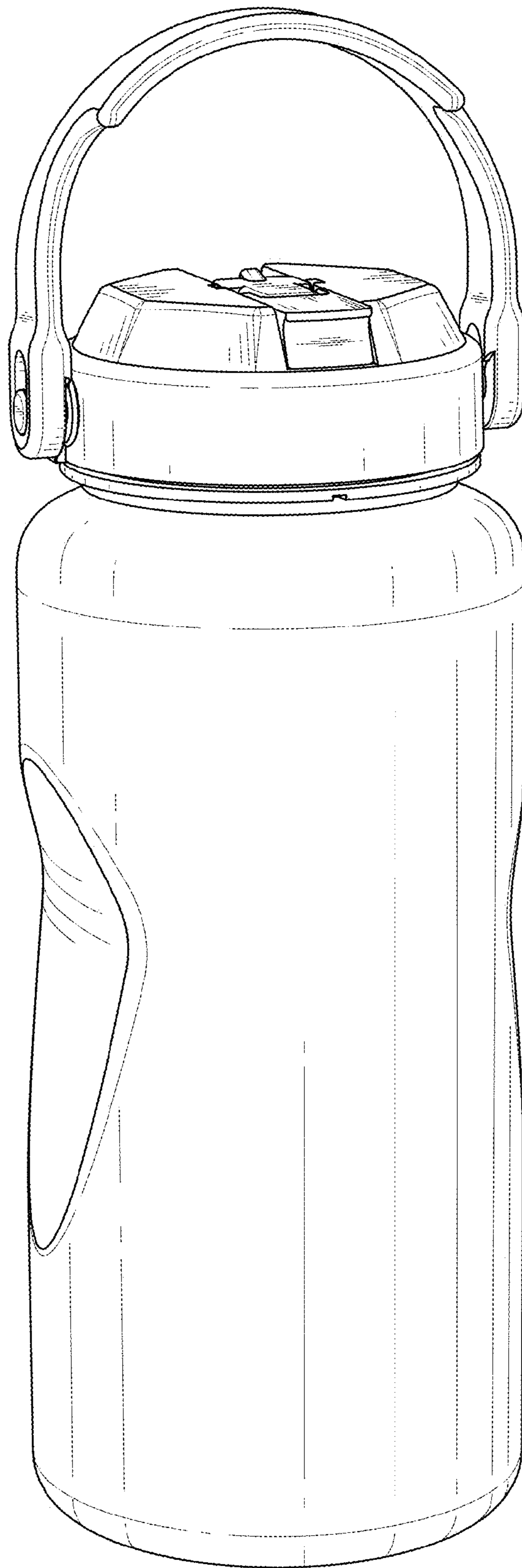


FIG. 1

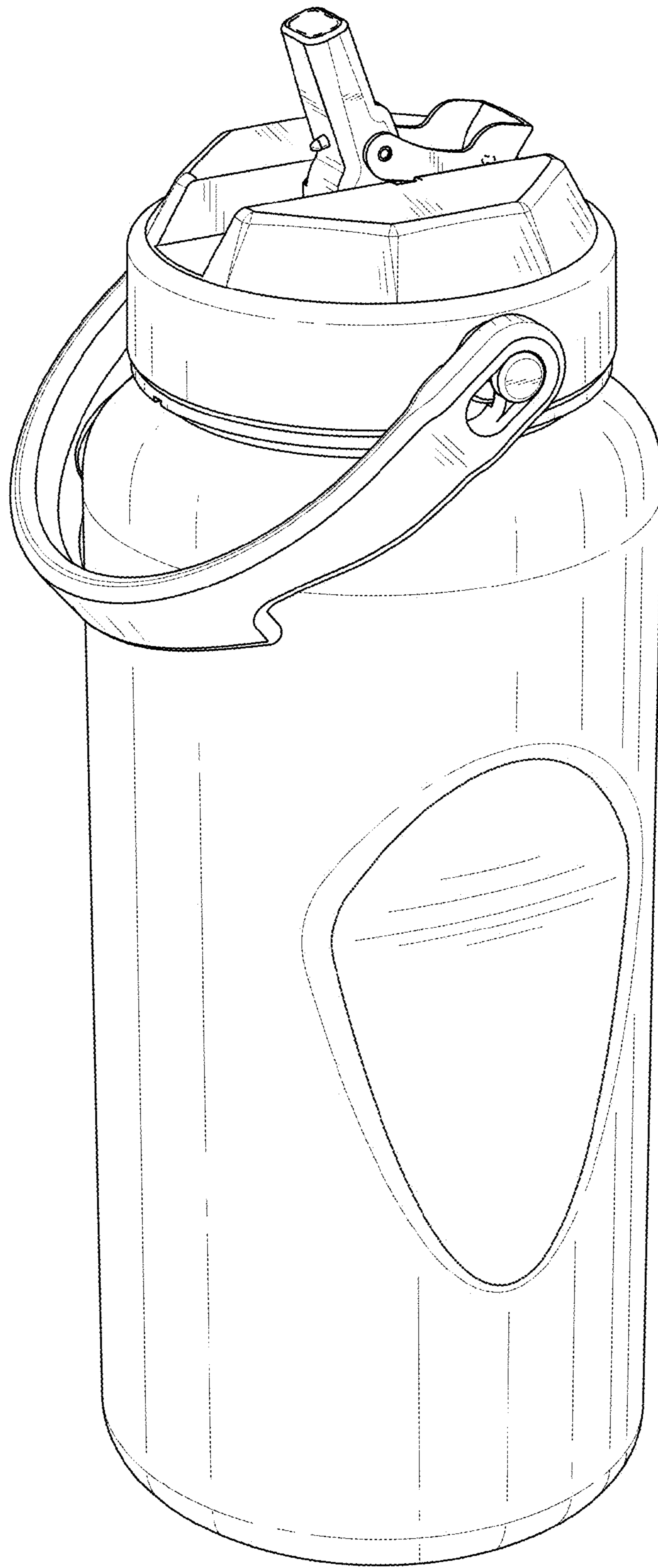


FIG. 2

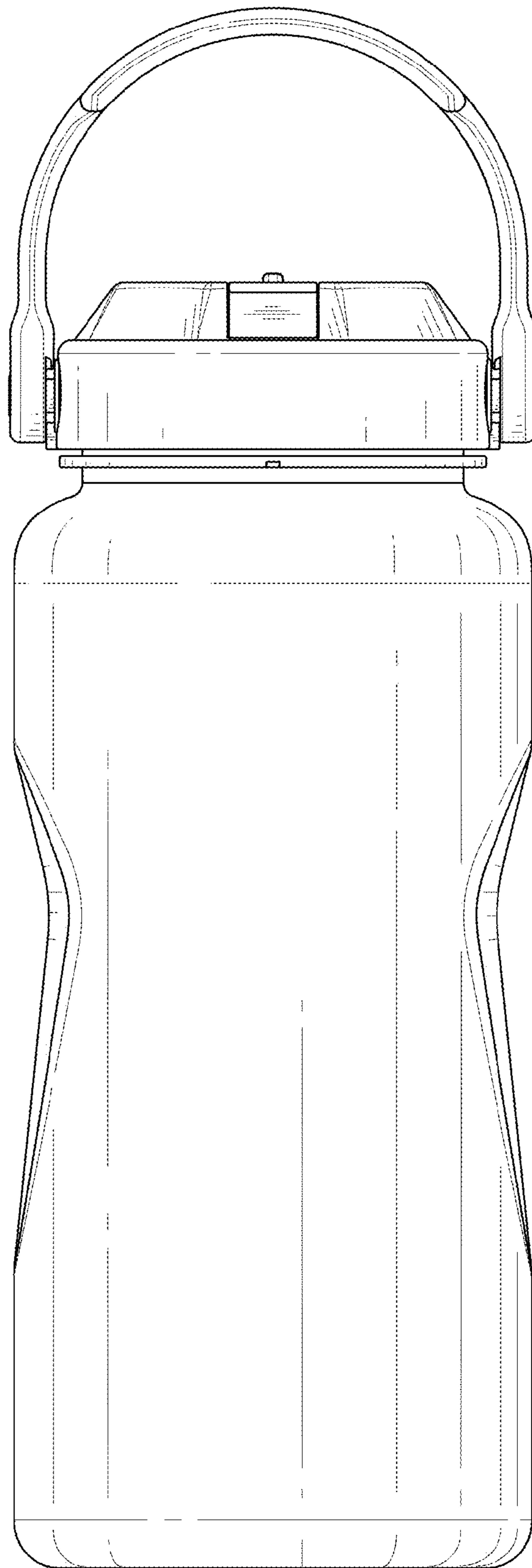


FIG. 3

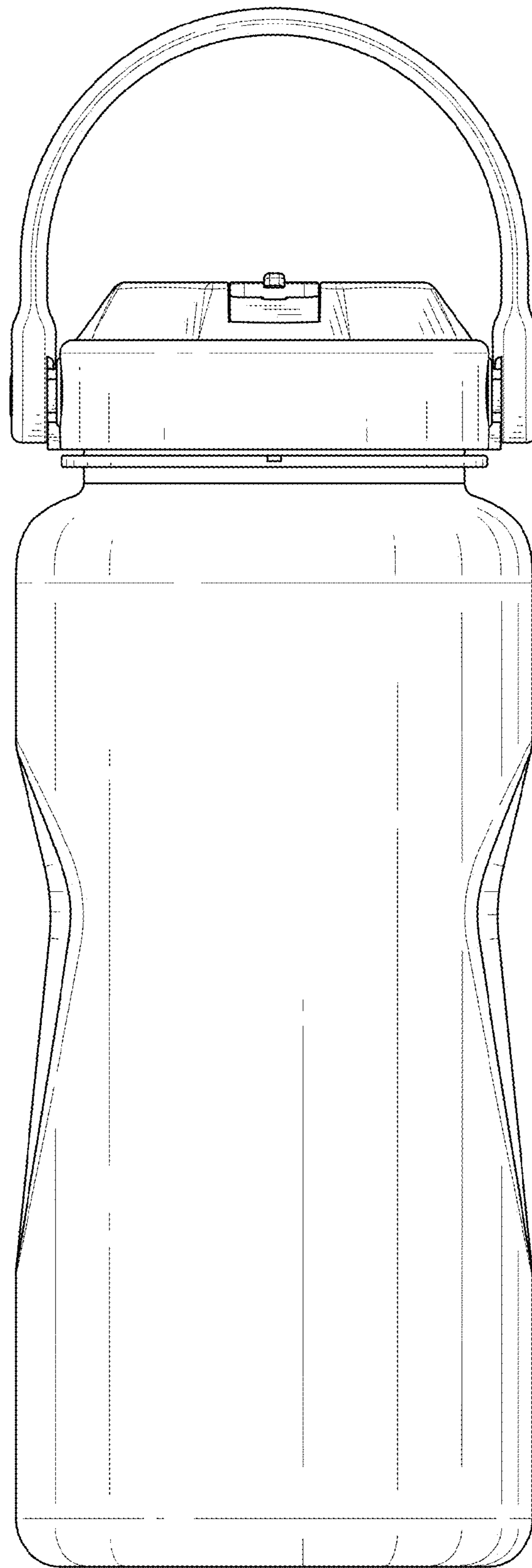


FIG. 4

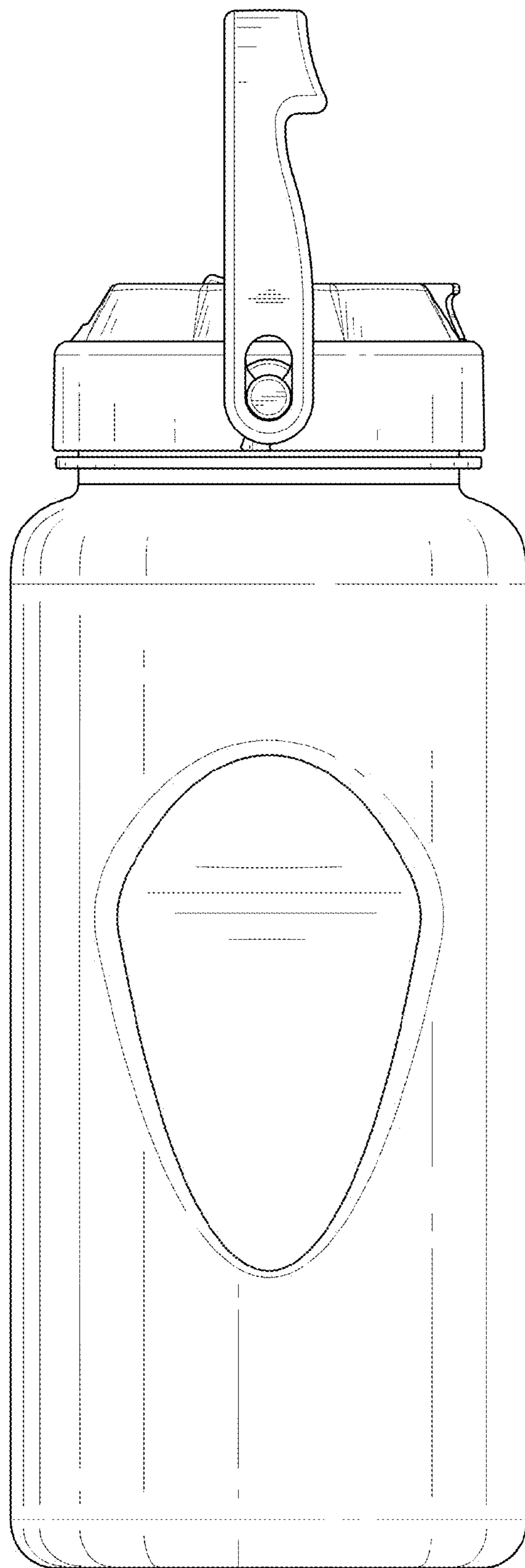


FIG. 5

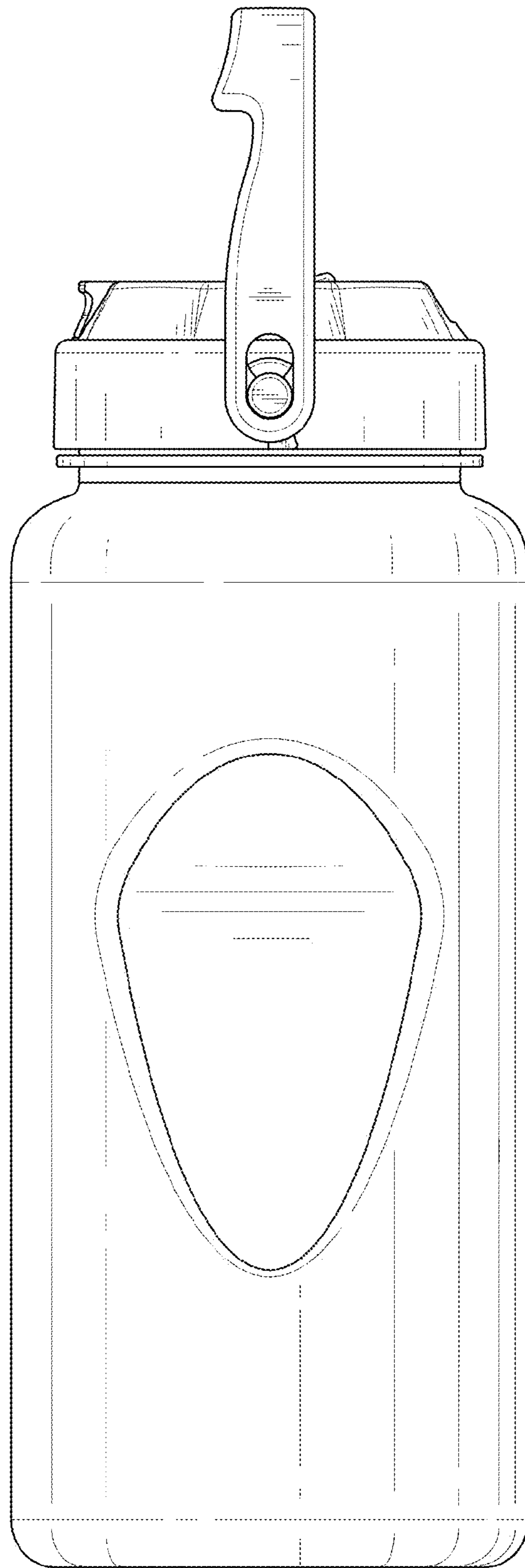


FIG. 6

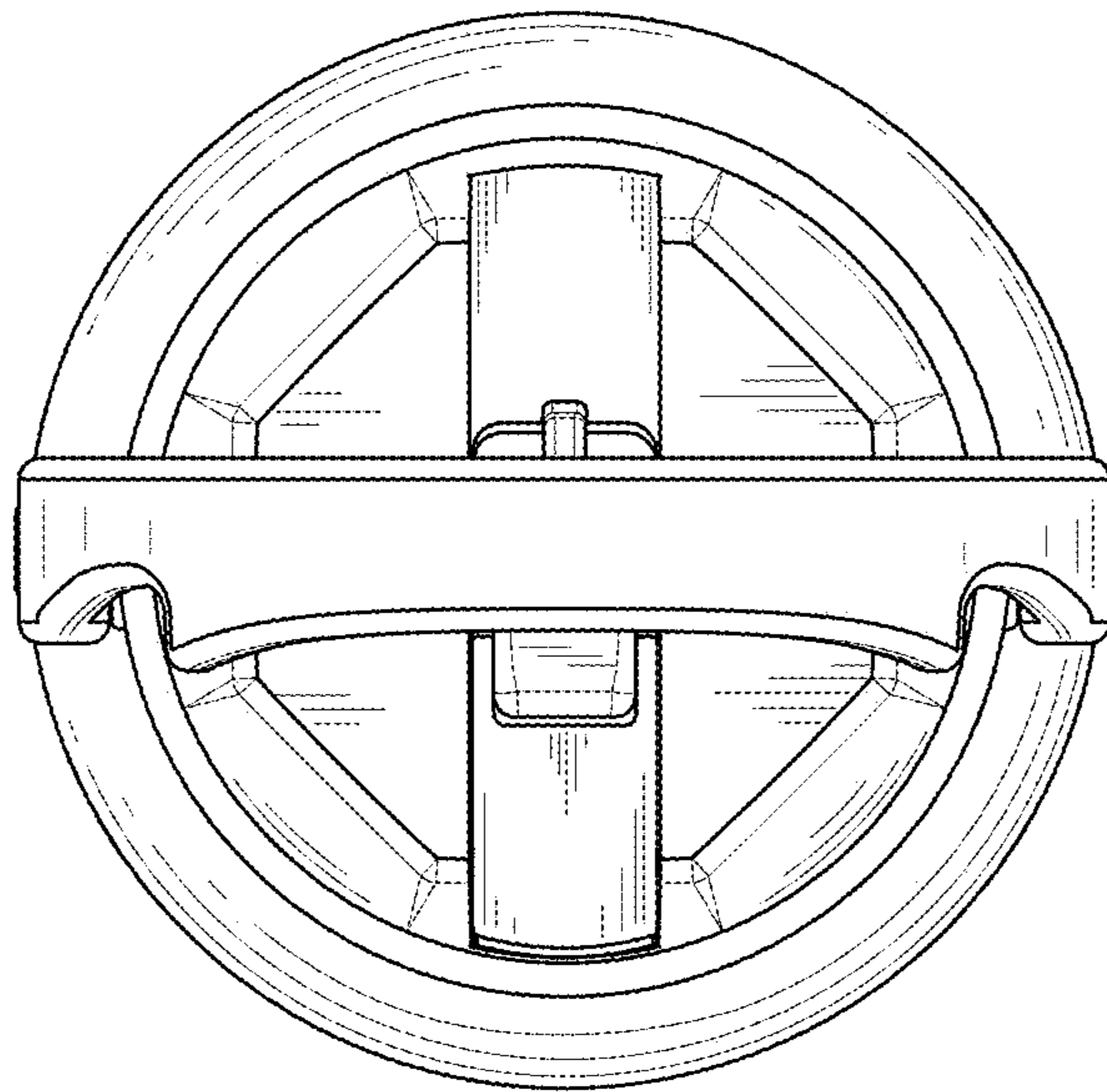


FIG. 7

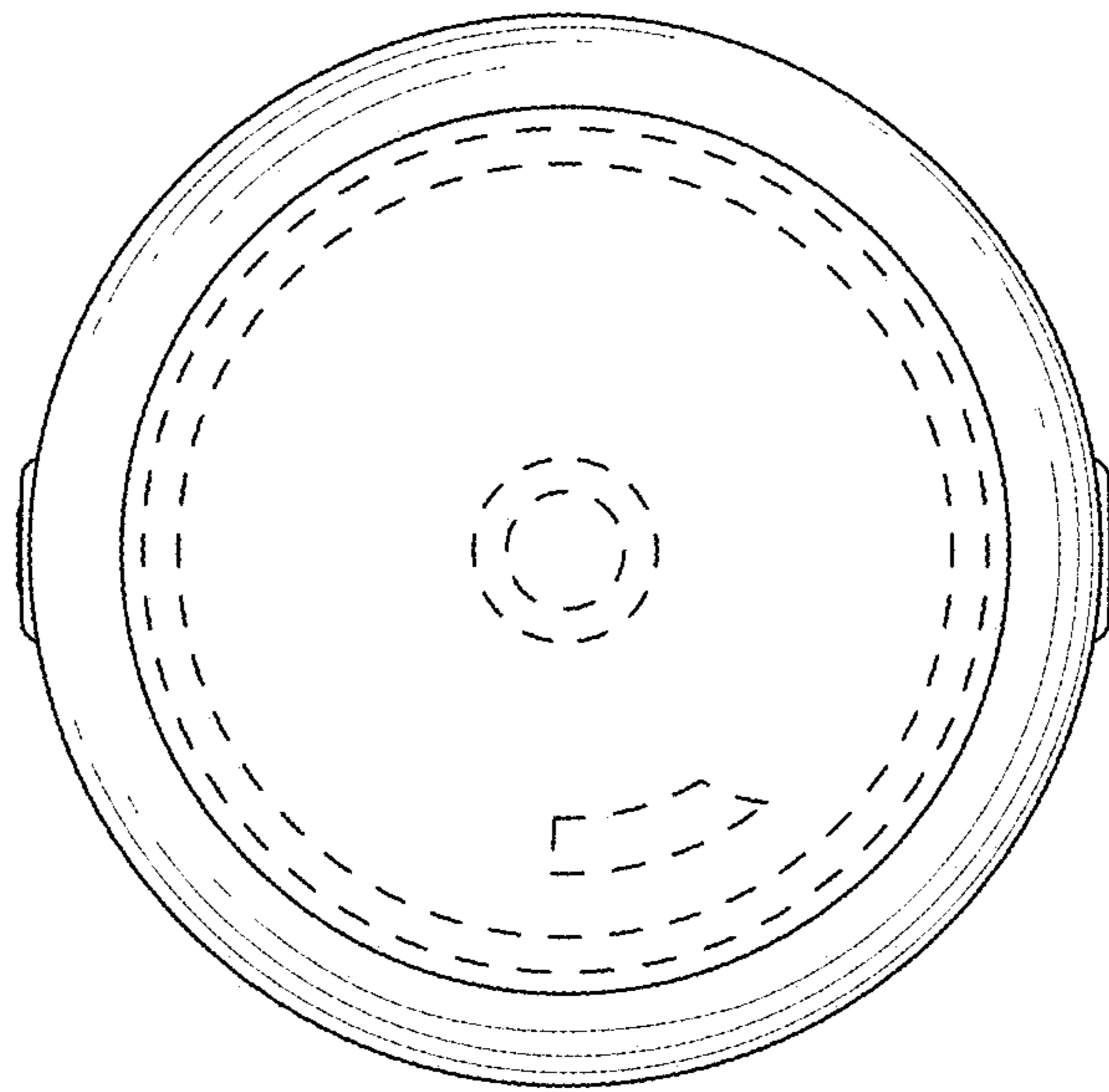


FIG. 8

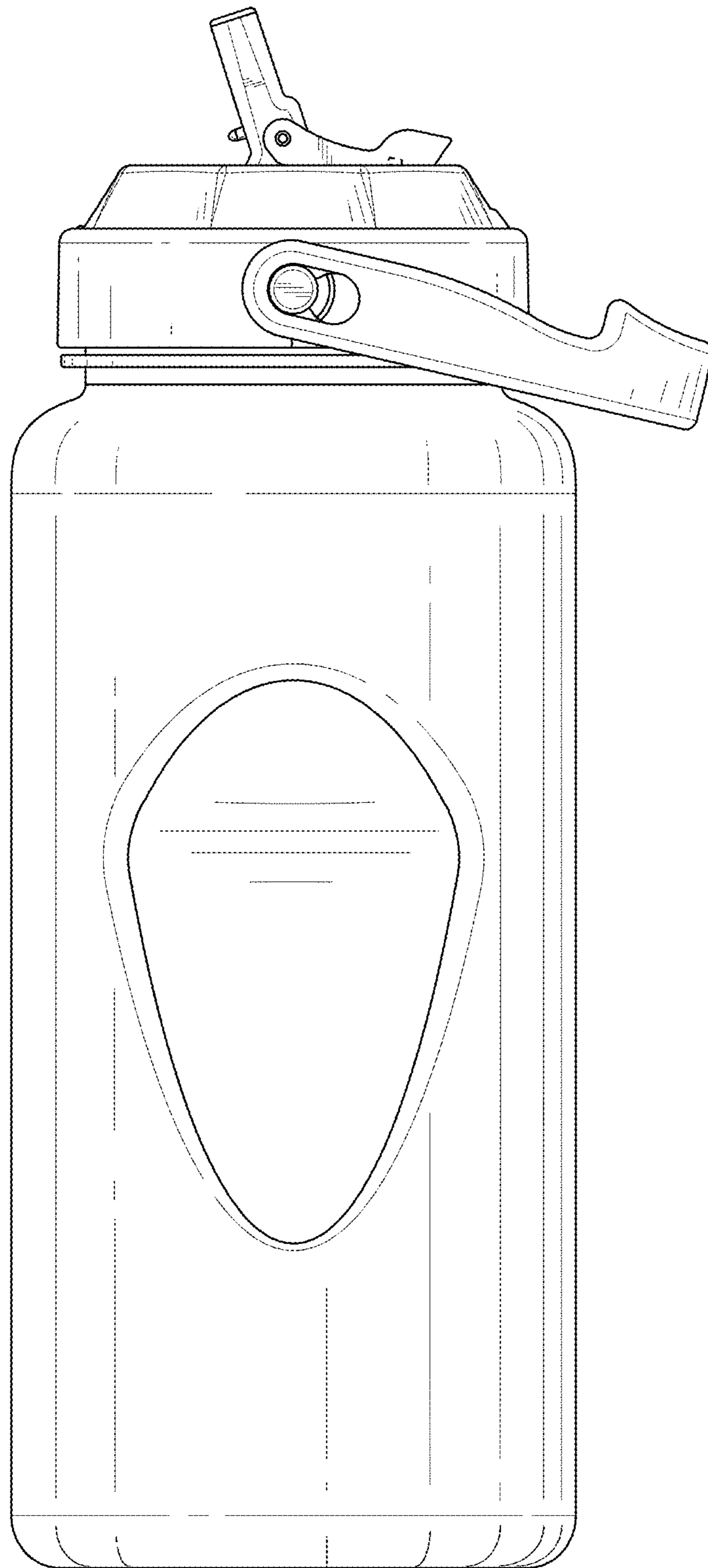


FIG. 9