

US00D897774S

(12) **United States Design Patent**
Pisarevsky

(10) **Patent No.:** **US D897,774 S**

(45) **Date of Patent:** **** Oct. 6, 2020**

- (54) **INSULATED SLIM BOTTLE WITH INTEGRATED INFUSER**
- (71) Applicant: **Arie Pisarevsky**, Montreal (CA)
- (72) Inventor: **Arie Pisarevsky**, Montreal (CA)
- (**) Term: **15 Years**
- (21) Appl. No.: **29/633,868**
- (22) Filed: **Jan. 16, 2018**
- (51) **LOC (12) Cl.** **07-01**
- (52) **U.S. Cl.**
USPC **D7/507; D7/511; D7/523; D7/532**
- (58) **Field of Classification Search**
USPC D7/507, 509, 510, 511, 523, 532, 529, D7/530, 531, 608, 392.1, 396.2, 396.3, D7/213, 395, 376, 305, 300, 624.2, 310; D9/502, 503, 504, 429, 686, 684, 341, D9/688, 728; D28/85, 76, 82; D8/393, D8/397, 330, 346; D25/48.1; D21/385; D23/260, 261, 268
CPC A47G 19/22; A47G 19/2205; A47G 19/2211; A47G 19/2222; A45F 3/20; A45F 3/16; A47J 41/02
See application file for complete search history.

D362,598 S *	9/1995	Kibbe	D7/678
6,276,853 B1 *	8/2001	Breidenbach	A45D 34/06 401/17
D450,888 S *	11/2001	Breidenbach	D28/76
D453,589 S *	2/2002	Breidenbach	D28/76
D466,814 S *	12/2002	Hurlburt	D9/504
D497,455 S *	10/2004	Lee	D28/76
D554,803 S *	11/2007	Parker	D28/76
D585,599 S *	1/2009	Mongeon	D28/76
D588,751 S *	3/2009	Mongeon	D28/76
D642,468 S *	8/2011	Maxwell	D9/500
D652,682 S *	1/2012	Eyal	D7/510
D659,907 S *	5/2012	Lin	D28/76
D659,908 S *	5/2012	Lin	D28/76
D675,481 S *	2/2013	Enghard	D7/510
D689,366 S *	9/2013	Kohne	D9/504
D712,268 S *	9/2014	Marina	D9/500
D748,865 S *	2/2016	Hall	D28/85
D778,175 S *	2/2017	Eberlein	D9/503
D803,287 S *	11/2017	Whetsel	D16/135

(Continued)

Primary Examiner — Jae Liang

(57) **CLAIM**

The ornamental design for an insulated slim bottle with integrated infuser, as shown and described.

DESCRIPTION

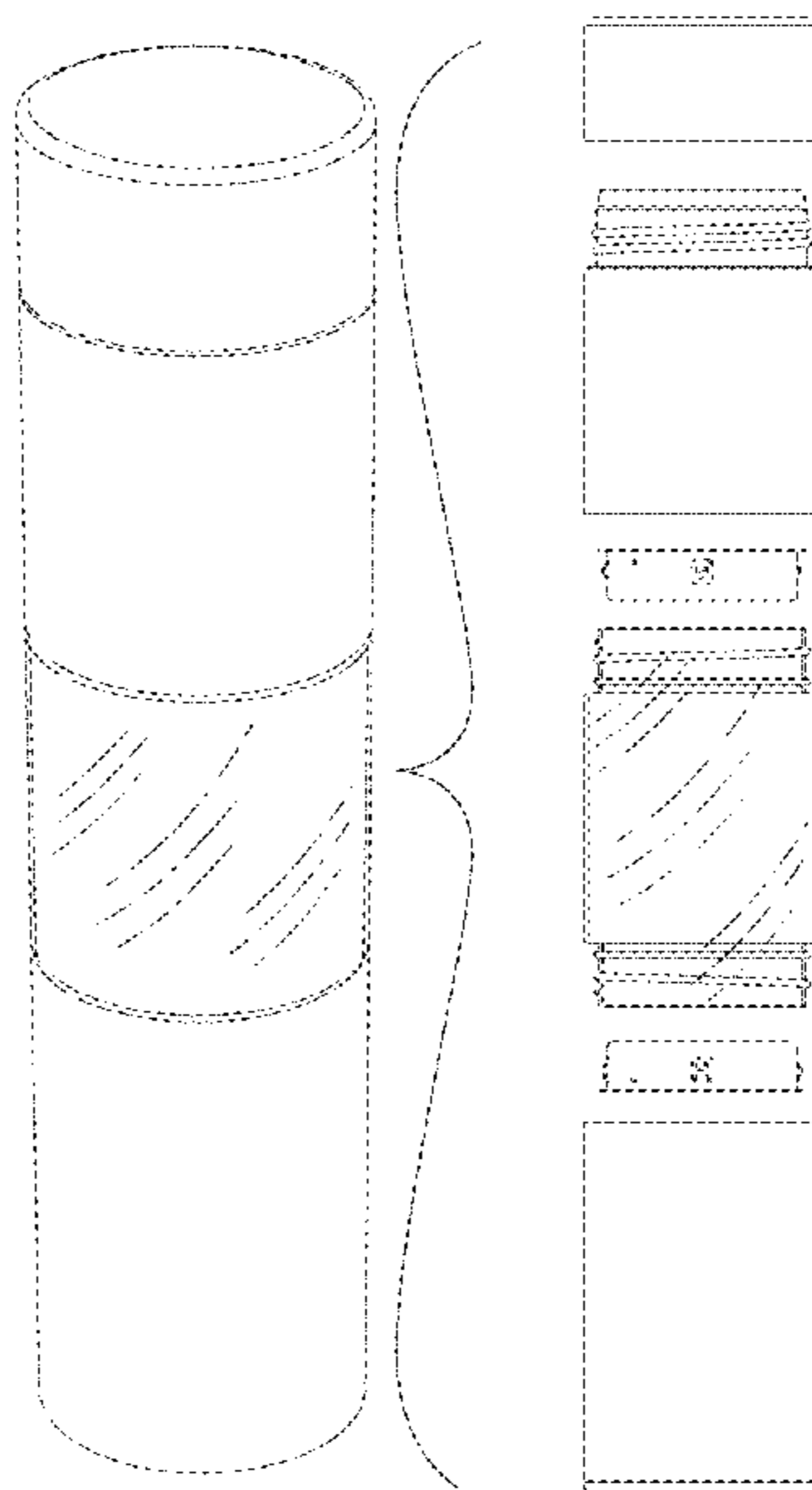
FIG. 1 is a perspective view of the insulated slim bottle with an integrated infuser of the present invention; FIG. 2 is a bottom perspective view thereof; FIG. 3 is a front view of the present invention; FIG. 4 is a top view thereof; FIG. 5 is a bottom view of thereof; FIG. 6 is an exploded view thereof; and, FIG. 7 is a front view of the middle portion of the slim bottle in an intact position. The broken lines in the drawing depict portions of the insulated slim bottle with integrated infuser that form no part of the claimed design.

1 Claim, 5 Drawing Sheets

(56) **References Cited**

U.S. PATENT DOCUMENTS

D160,876 S *	11/1950	Mesi	D7/596
2,930,408 A *	3/1960	Stevens	F42B 3/28 138/103
3,067,896 A *	12/1962	Berg	A47J 41/028 215/12.1
D267,822 S *	2/1983	Katz	D28/86
4,444,324 A *	4/1984	Grenell	B65D 25/04 206/545
D289,143 S *	4/1987	Guillaume	D9/445
D320,469 S *	10/1991	Hoening	D28/7



(56)

References Cited

U.S. PATENT DOCUMENTS

D810,581	S *	2/2018	Shalev	D9/684
D819,894	S *	6/2018	Sung	D29/126
D823,537	S *	7/2018	Beaver	D27/191
D839,095	S *	1/2019	Fux	D9/503
D840,246	S *	2/2019	Shalev	D9/684
D854,744	S *	7/2019	Tanaka	D28/7
D866,333	S *	11/2019	Safdie	D9/504
2001/0047951	A1 *	12/2001	O'Connor	A45D 34/04 206/575
2002/0014253	A1 *	2/2002	Bengis	A45D 40/18 132/297
2009/0080180	A1 *	3/2009	Bertken	A47G 19/2227 362/101
2010/0200438	A1 *	8/2010	Davies	B65D 21/083 206/223
2011/0268490	A1 *	11/2011	Acierto	A45D 34/04 401/37
2013/0341443	A1 *	12/2013	Stephenson	B65D 11/02 241/38
2014/0238949	A1 *	8/2014	Patel	B65D 21/0228 215/6
2016/0003615	A1 *	1/2016	Biswas	G01F 23/0076 702/151
2016/0046421	A1 *	2/2016	Brown	B65D 47/32 222/545
2016/0073806	A1 *	3/2016	Heaton	A47G 19/2211 426/495

* cited by examiner

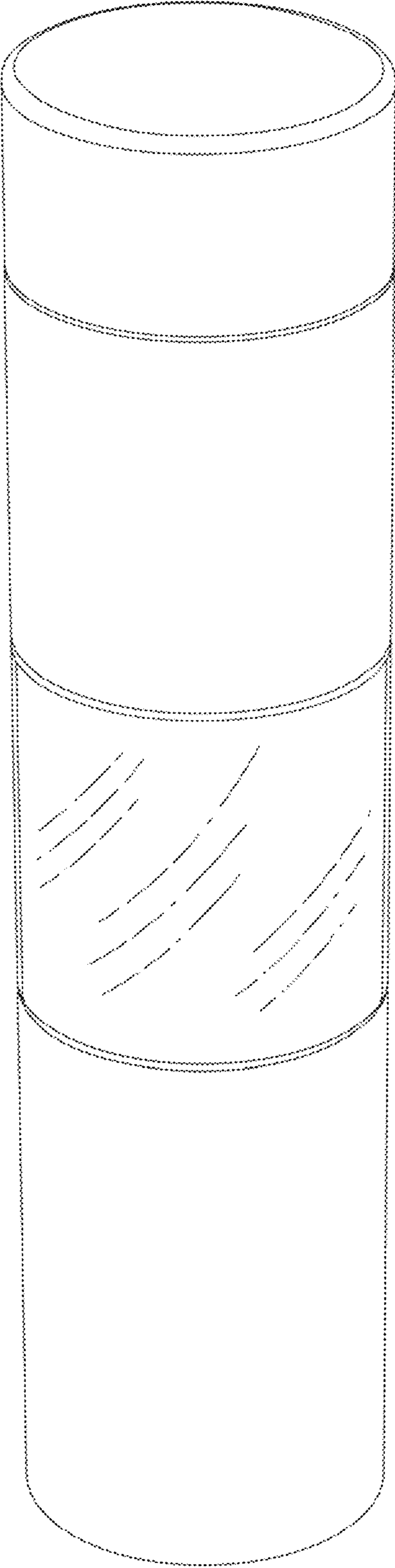


Fig.1

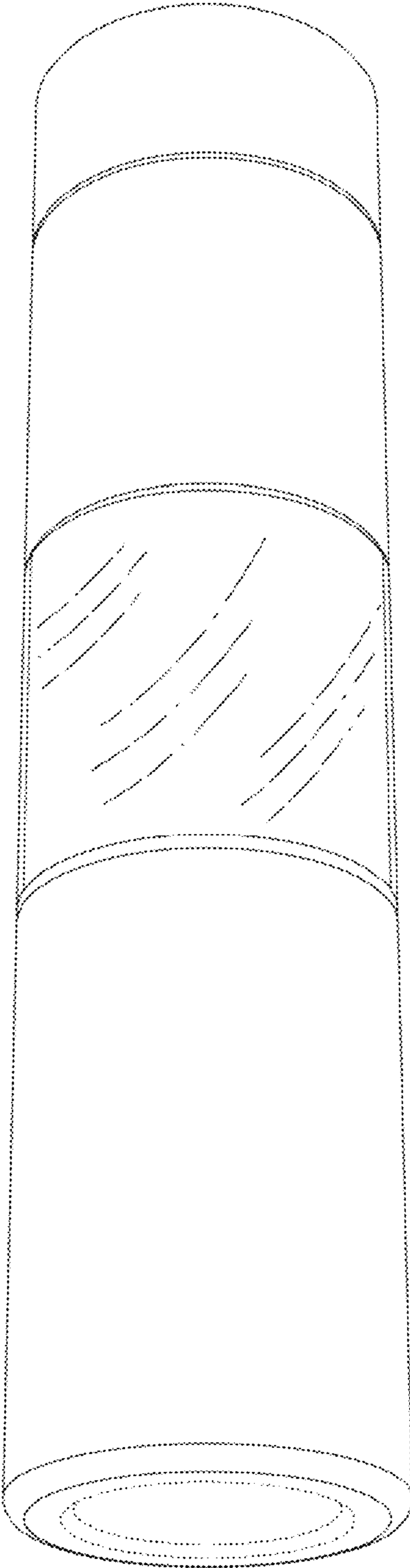


Fig.2

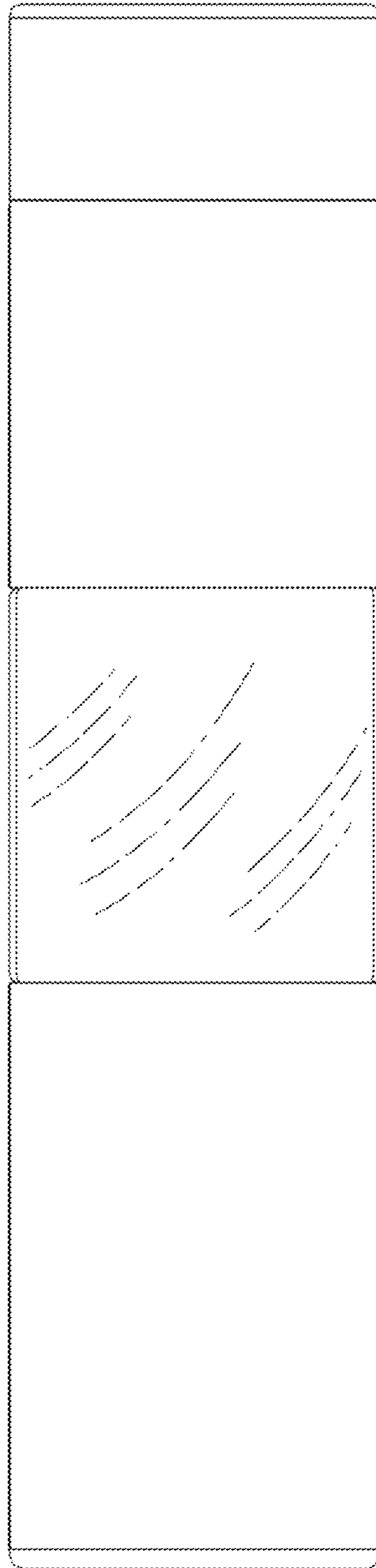


Fig.3

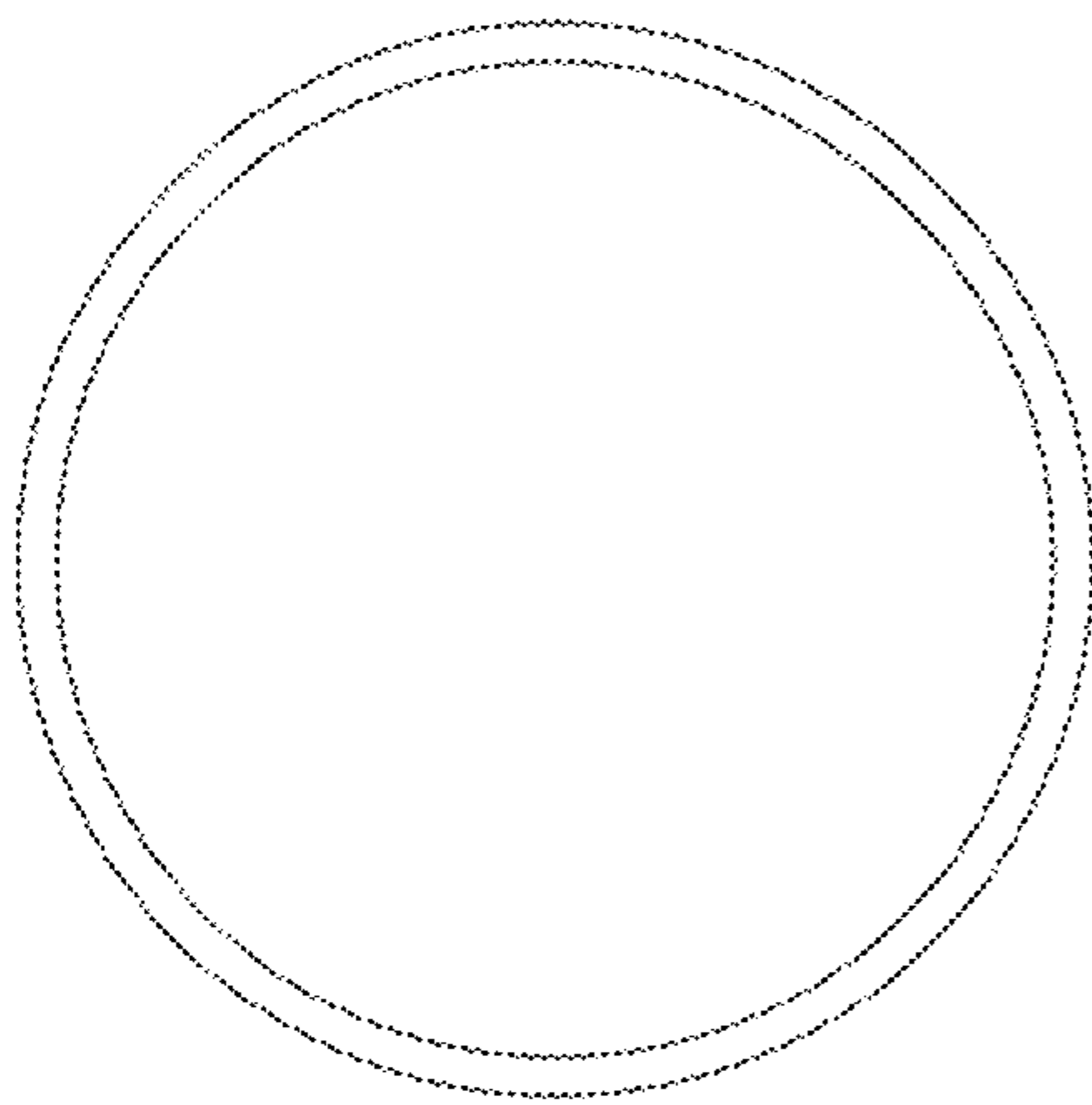


Fig.4

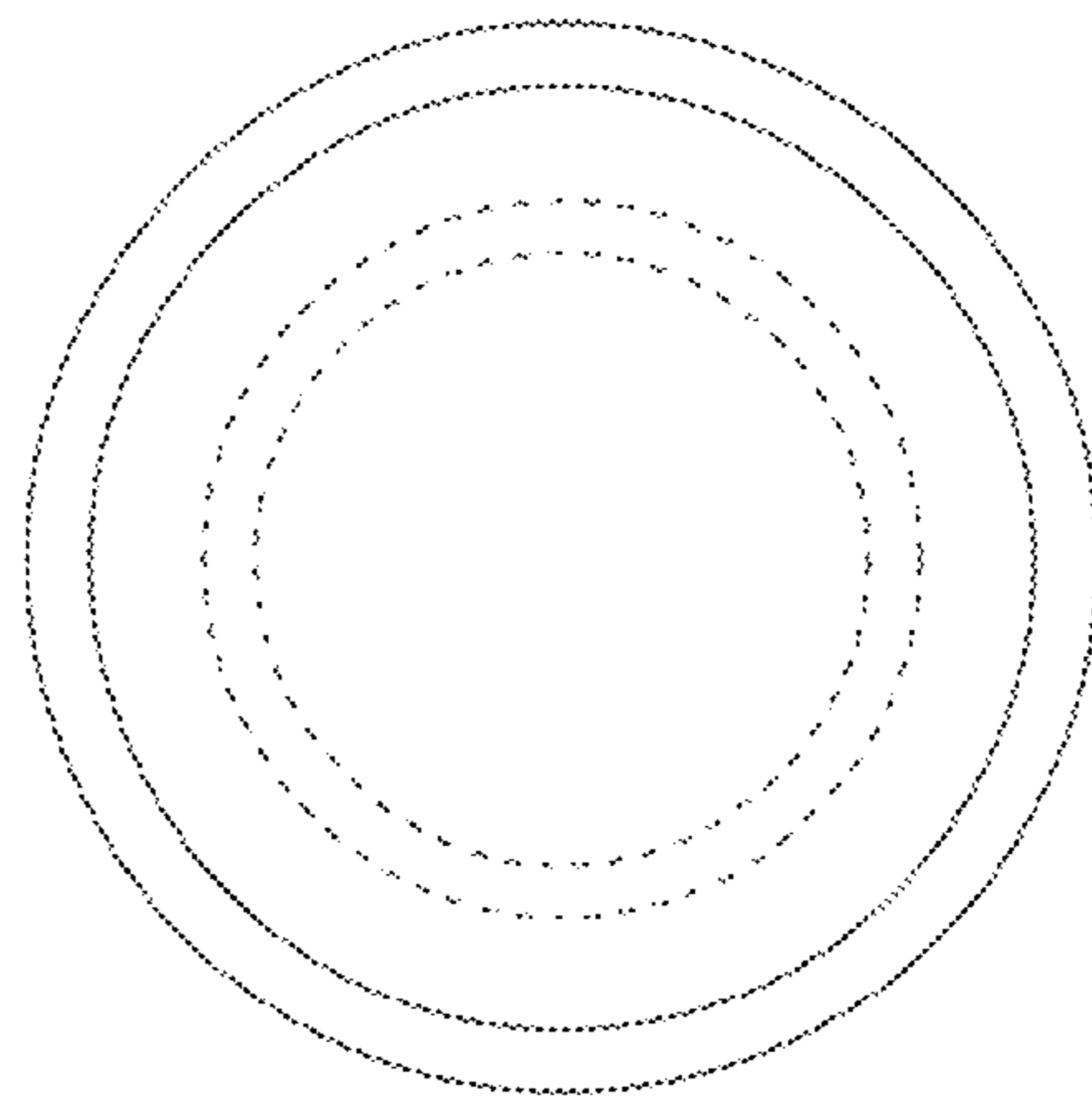


Fig.5

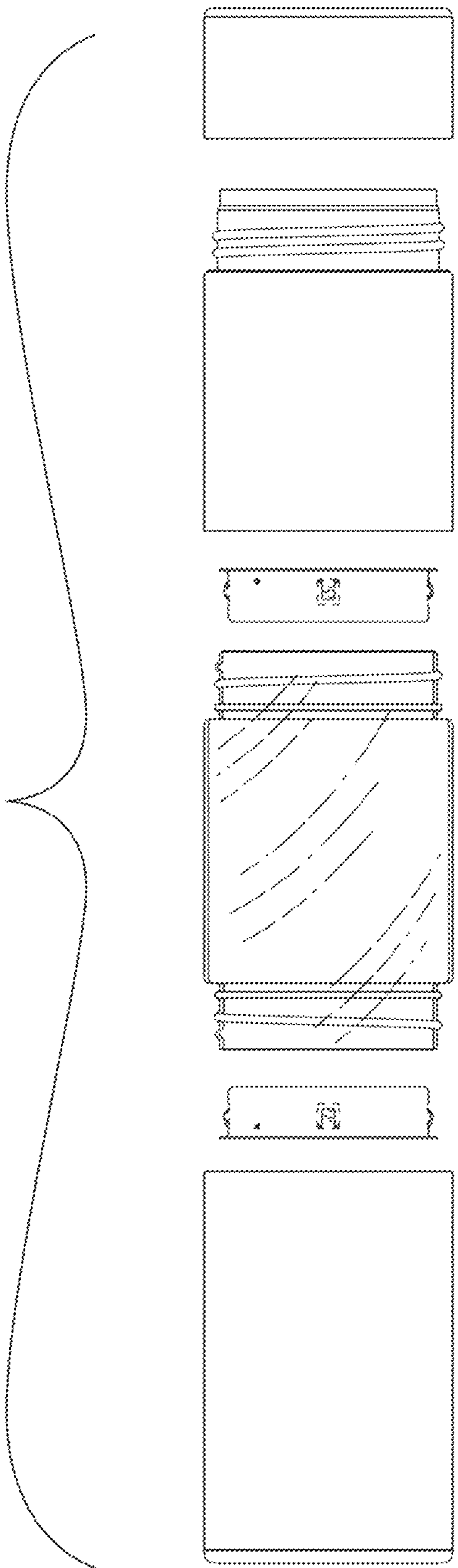


Fig.6

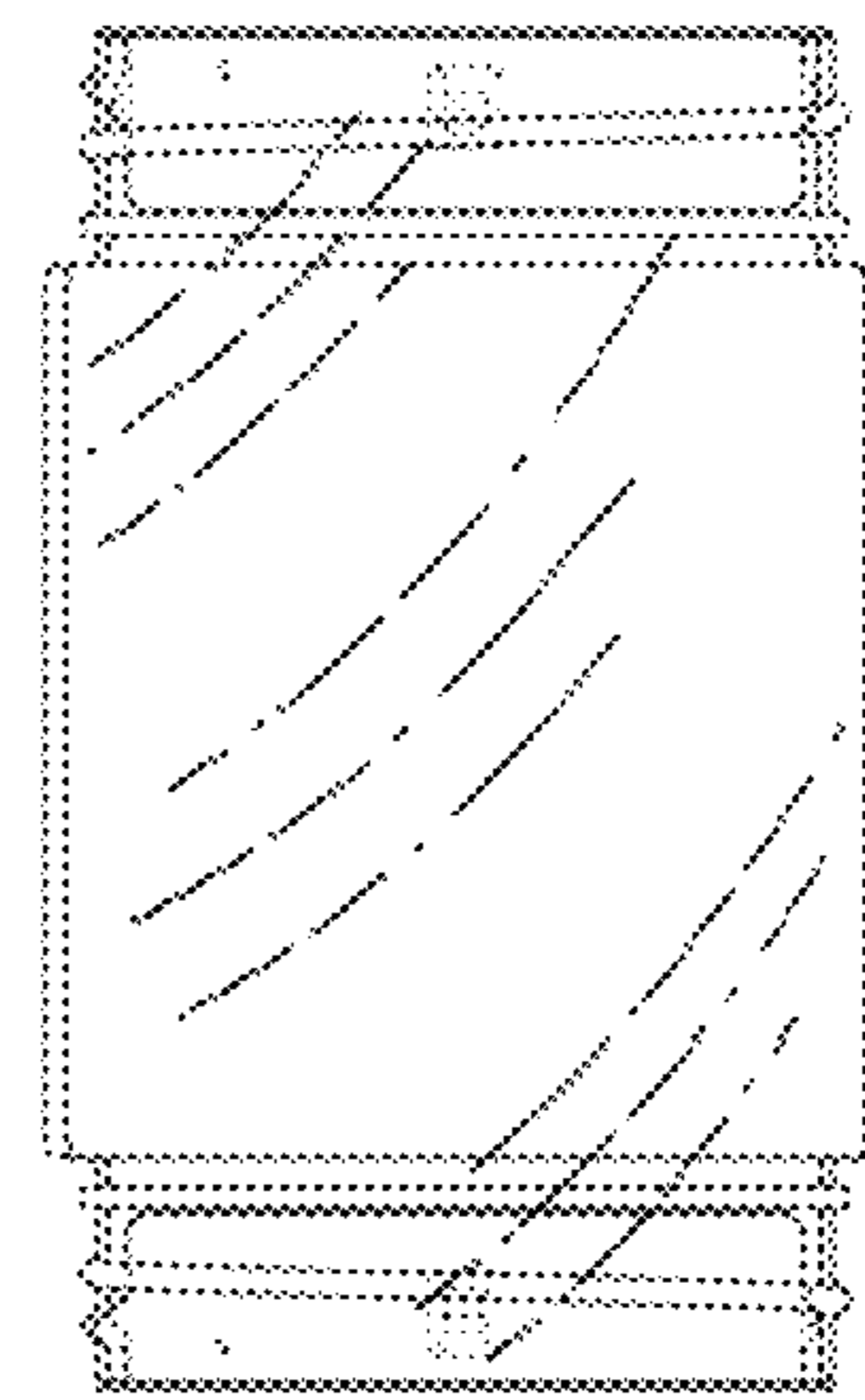


Fig.7