



US00D897773S

(12) **United States Design Patent**  
**Goffhé**

(10) **Patent No.:** **US D897,773 S**

(45) **Date of Patent:** **\*\* Oct. 6, 2020**

(54) **FIREPLACE LIGHTER**

(71) Applicant: **Looft Industries AB**, Stockholm (SE)

(72) Inventor: **Fredrik Goffhé**, Enskededalen (SE)

(\*\*) Term: **15 Years**

(21) Appl. No.: **35/507,259**

(22) Filed: **Feb. 15, 2019**

(80) **Hague Agreement Data**

Int. Filing Date: **Feb. 15, 2019**

Int. Reg. No.: **DM/201220**

Int. Reg. Date: **Feb. 15, 2019**

Int. Reg. Pub. Date: **Aug. 16, 2019**

(51) **LOC (12) Cl.** ..... **07-99**

(52) **U.S. Cl.**  
USPC ..... **D7/416**

(58) **Field of Classification Search**  
USPC ..... D7/416, 417; D8/29.1; D21/402;  
D27/141, 153, 154; D28/13  
CPC ..... F23Q 7/04; F23Q 7/14; F23Q 7/16  
See application file for complete search history.

(56) **References Cited**

**U.S. PATENT DOCUMENTS**

D254,872 S *	4/1980	Plozner	.....	D7/416
D258,840 S *	4/1981	Plozner	.....	D7/416
D259,234 S *	5/1981	Pfeil	.....	392/385
D274,551 S *	7/1984	Benjamin	.....	D28/13
D293,603 S *	1/1988	Matsumaru	.....	D7/416
D456,681 S *	5/2002	Cheng	.....	D8/29.1
D458,524 S *	6/2002	Cheng	.....	D8/29.1
D480,505 S *	10/2003	Lin	.....	D27/148
D498,327 S *	11/2004	Cohen Harel	.....	D27/154
D501,757 S *	2/2005	Levinger	.....	D7/416
D509,020 S *	8/2005	Lindsey	.....	D27/142
D603,652 S *	11/2009	Aronson, II	.....	D7/416
D659,496 S *	5/2012	Mochizuki	.....	D8/29.1

D679,051 S *	3/2013	Martin	.....	D27/141
D743,764 S *	11/2015	Teraoka	.....	D8/29.1
D750,835 S *	3/2016	Wei	.....	F23Q 2/16 D27/101
D771,454 S *	11/2016	Steinel	.....	D8/29.1
9,638,420 B2 *	5/2017	Li	.....	F24B 15/005
D793,827 S *	8/2017	Huang	.....	D8/29.1
D802,997 S *	11/2017	Bogazzi	.....	D7/416
D805,349 S *	12/2017	Looft	.....	D7/416
D809,343 S *	2/2018	Kotani	.....	D7/416
D823,533 S *	7/2018	Huff	.....	D27/141
D831,424 S *	10/2018	Wiles	.....	D7/416
D844,891 S *	4/2019	Stoll	.....	D27/153
D865,463 S *	11/2019	Lei	.....	D8/29.1
D875,309 S *	2/2020	Liao	.....	D28/15
D885,662 S *	5/2020	Kan	.....	D28/13
2016/0123590 A1 *	5/2016	Li	.....	F23Q 2/16 431/153

**OTHER PUBLICATIONS**

Screenshot: The New Wireless Looft Lighter X Prototype Demo video. Sep. 5, 2019; one page. Found online May 27, 2020 at [https://www.youtube.com/watch?v=mr\\_AQkE9yWA](https://www.youtube.com/watch?v=mr_AQkE9yWA) (Year: 2019).\*

\* cited by examiner

*Primary Examiner* — Robert M. Spear

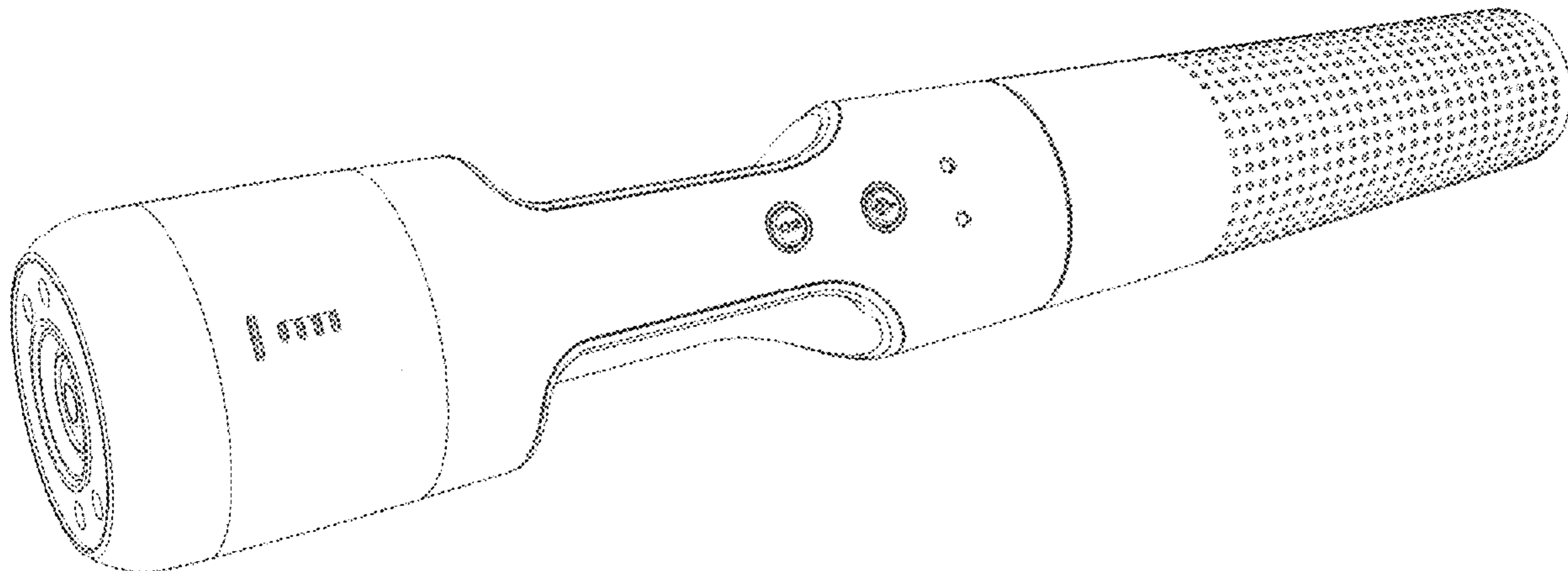
(57) **CLAIM**

The ornamental design for a fireplace lighter, as shown and described.

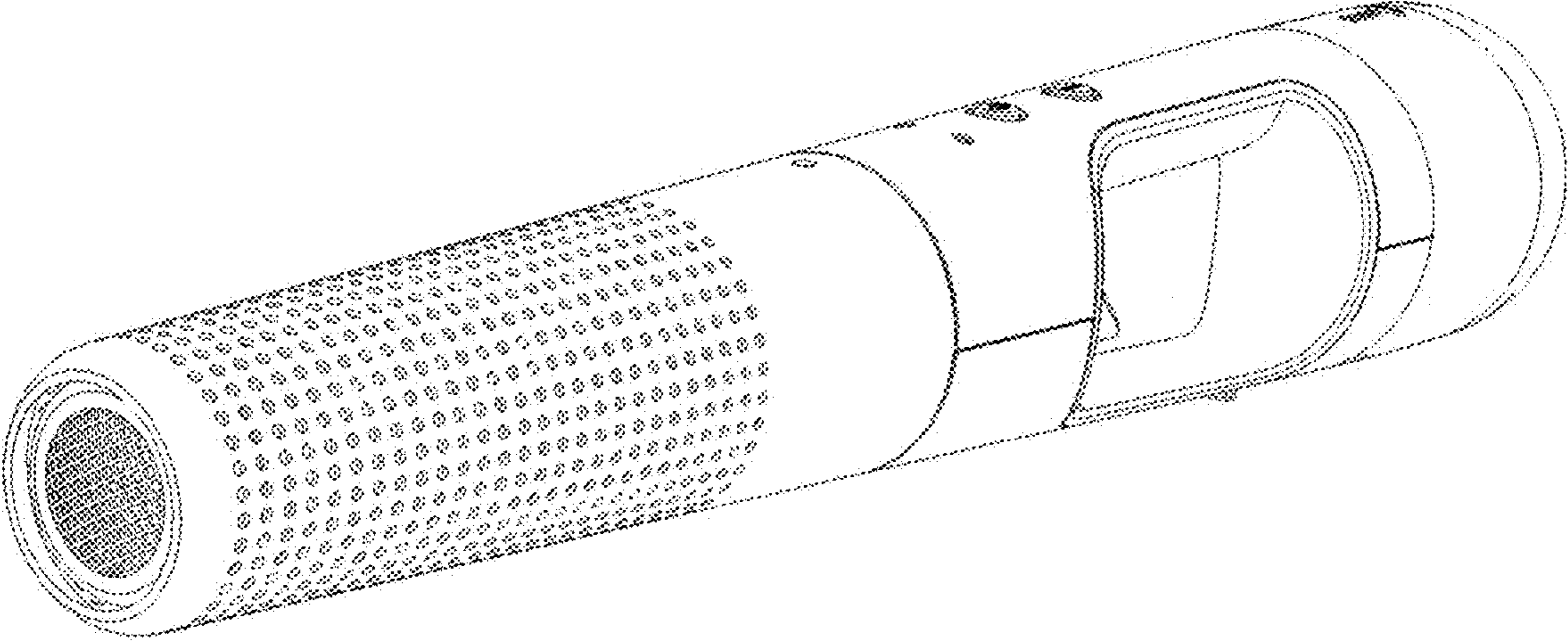
**DESCRIPTION**

1. Fireplace lighter  
Fig. 1.1 is a front perspective view of the fireplace lighter; fig. 1.2 is a rear perspective view of the fireplace lighter; fig. 1.3 is a side perspective view of the fireplace lighter; fig. 1.4 is a front side view of the fireplace lighter; fig. 1.5 is a rear side view of the fireplace lighter; fig. 1.6 is a top side view of the fireplace; fig. 1.7 is a bottom side view of the fireplace lighter.

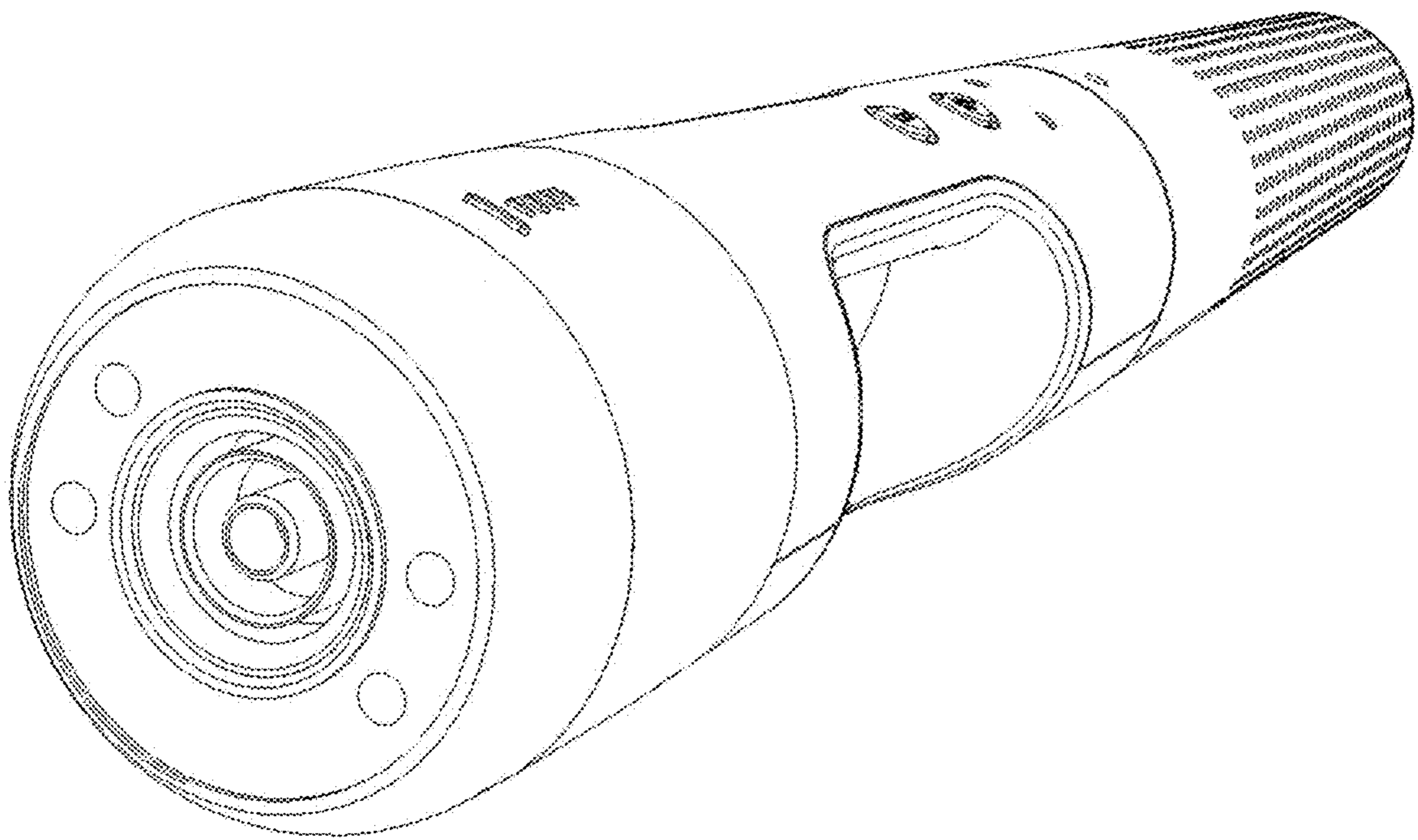
**1 Claim, 7 Drawing Sheets**



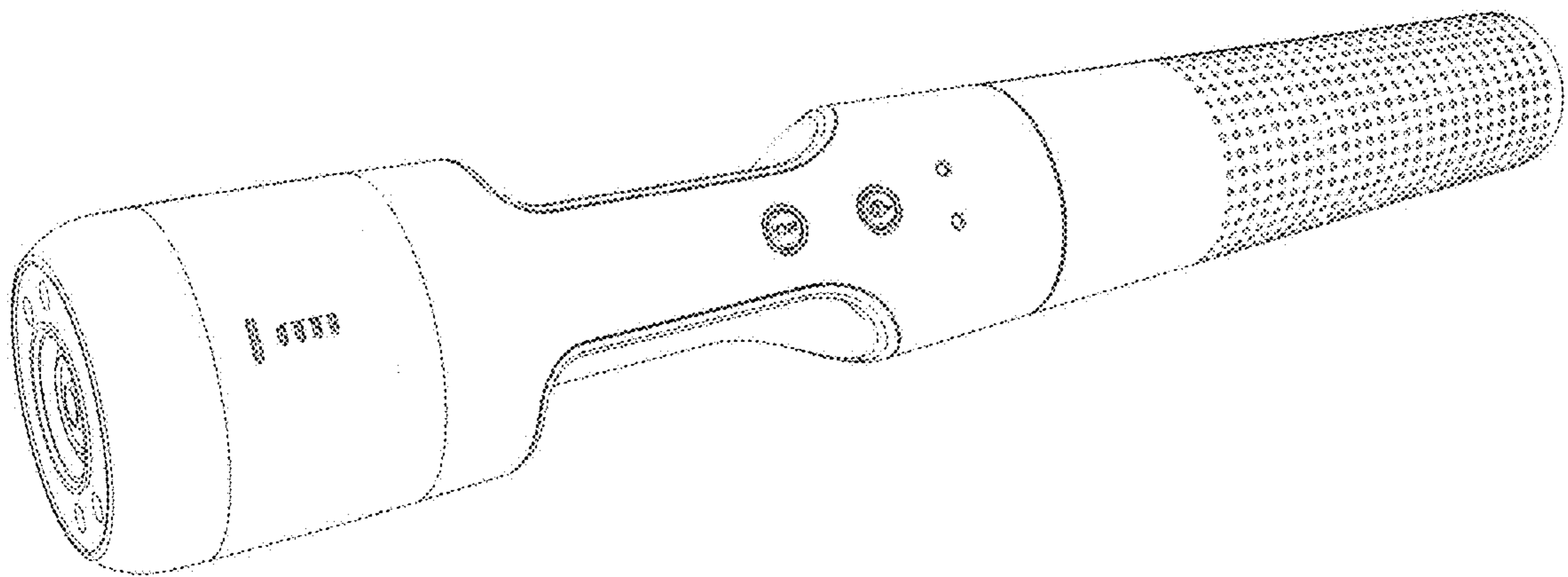
1.1



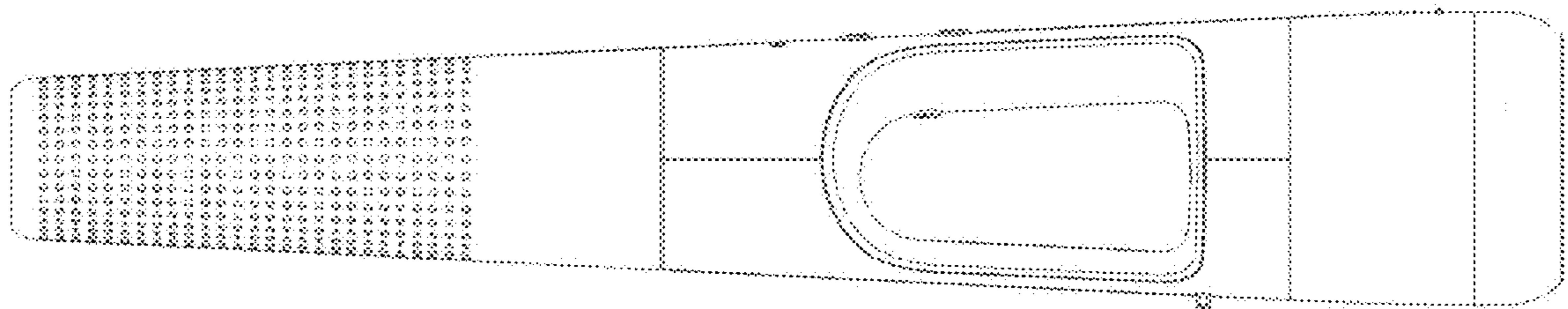
1.2



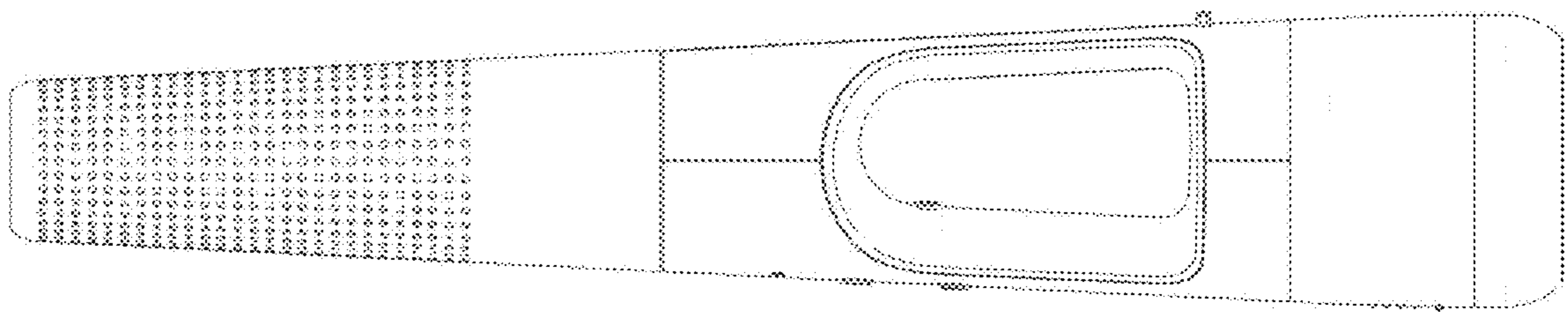
1.3



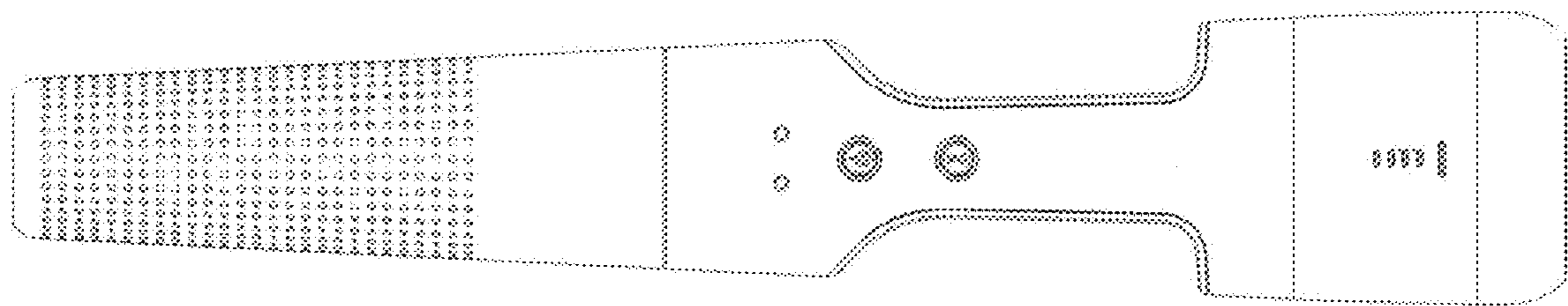
1.4



1.5



1.6



1.7

