



US00D897772S

(12) **United States Design Patent** (10) **Patent No.:** **US D897,772 S**  
**Kim et al.** (45) **Date of Patent:** **\*\* Oct. 6, 2020**

(54) **RICE MILLING JAR**

(56) **References Cited**

(71) Applicant: **LG ELECTRONICS INC.**, Seoul (KR)

(72) Inventors: **Joo-Gyeom Kim**, Seoul (KR); **Sungkyung Kim**, Seoul (KR); **Kyoungmin Baek**, Seoul (KR); **Woonkyu Seo**, Seoul (KR); **Hyunsun Yoo**, Seoul (KR); **Hyunhee You**, Seoul (KR); **Yousook Eun**, Seoul (KR); **Hyejin Choi**, Seoul (KR)

U.S. PATENT DOCUMENTS

|              |         |                  |        |
|--------------|---------|------------------|--------|
| D225,792 S * | 1/1973  | Fritsche .....   | D7/533 |
| D465,132 S * | 11/2002 | Janky .....      | D7/510 |
| D475,577 S * | 6/2003  | Kung .....       | D7/507 |
| D587,967 S * | 3/2009  | Wahl .....       | D7/507 |
| D598,712 S * | 8/2009  | Alviar .....     | D7/510 |
| D600,978 S * | 9/2009  | Poindexter ..... | D7/533 |
| D678,727 S * | 3/2013  | Kolar .....      | D7/533 |
| D679,543 S * | 4/2013  | Repac .....      | D7/376 |
| D737,619 S * | 9/2015  | Cornu .....      | D7/316 |
| D820,046 S * | 6/2018  | Seiders .....    | D7/533 |

(73) Assignee: **LG ELECTRONICS INC.**, Seoul (KR)

\* cited by examiner

(\*\*) Term: **15 Years**

*Primary Examiner* — Ricky Pham

(21) Appl. No.: **29/677,114**

(74) *Attorney, Agent, or Firm* — Birch, Stewart, Kolasch & Birch, LLP

(22) Filed: **Jan. 17, 2019**

(57) **CLAIM**

(30) **Foreign Application Priority Data**

The ornamental design for a rice milling jar, as shown and described.

Jul. 18, 2018 (KR) ..... 30-2018-0033181

(51) **LOC (12) Cl.** ..... **31-00**

**DESCRIPTION**

(52) **U.S. Cl.**

USPC ..... **D7/413**; D7/412

(58) **Field of Classification Search**

USPC ..... D7/318, 372, 376–386, 412–413, 507, D7/510, 533, 602, 629, 665–666, 669, D7/679, 693–694

CPC .... A21C 1/02; A21C 1/04; A23N 1/00; A23N 1/02; A47J 43/04; A47J 43/25; A47J 43/27; A47J 43/042; A47J 43/044; A47J 43/046; A47J 43/075; A47J 43/0722; A47J 43/0727; B01F 3/00; B01F 3/0807; B01F 3/0853; B01F 13/0059; B01F 13/0064; B02C 1/08; B02C 2/04; B02C 4/42; B02C 4/142; B02C 4/143; B02C 4/423; B02C 13/1835; B28C 5/10; B28C 5/12; B28C 5/14; B28C 5/16

See application file for complete search history.

FIG. 1 is a front, right side, perspective view of a rice milling jar showing our new design;  
 FIG. 2 is a front view thereof;  
 FIG. 3 is a rear view thereof;  
 FIG. 4 is a left side view thereof;  
 FIG. 5 is a right side view thereof;  
 FIG. 6 is a top view thereof;  
 FIG. 7 is a bottom view thereof; and,  
 FIG. 8 is a reference view that shows the subject design with a rice milling machine installed and the transparent material of the subject design thereof.  
 The broken line showing of a rice milling machine in FIG. 8 is for the purpose of illustrating environmental structure and forms no part of the claimed design.

**1 Claim, 8 Drawing Sheets**

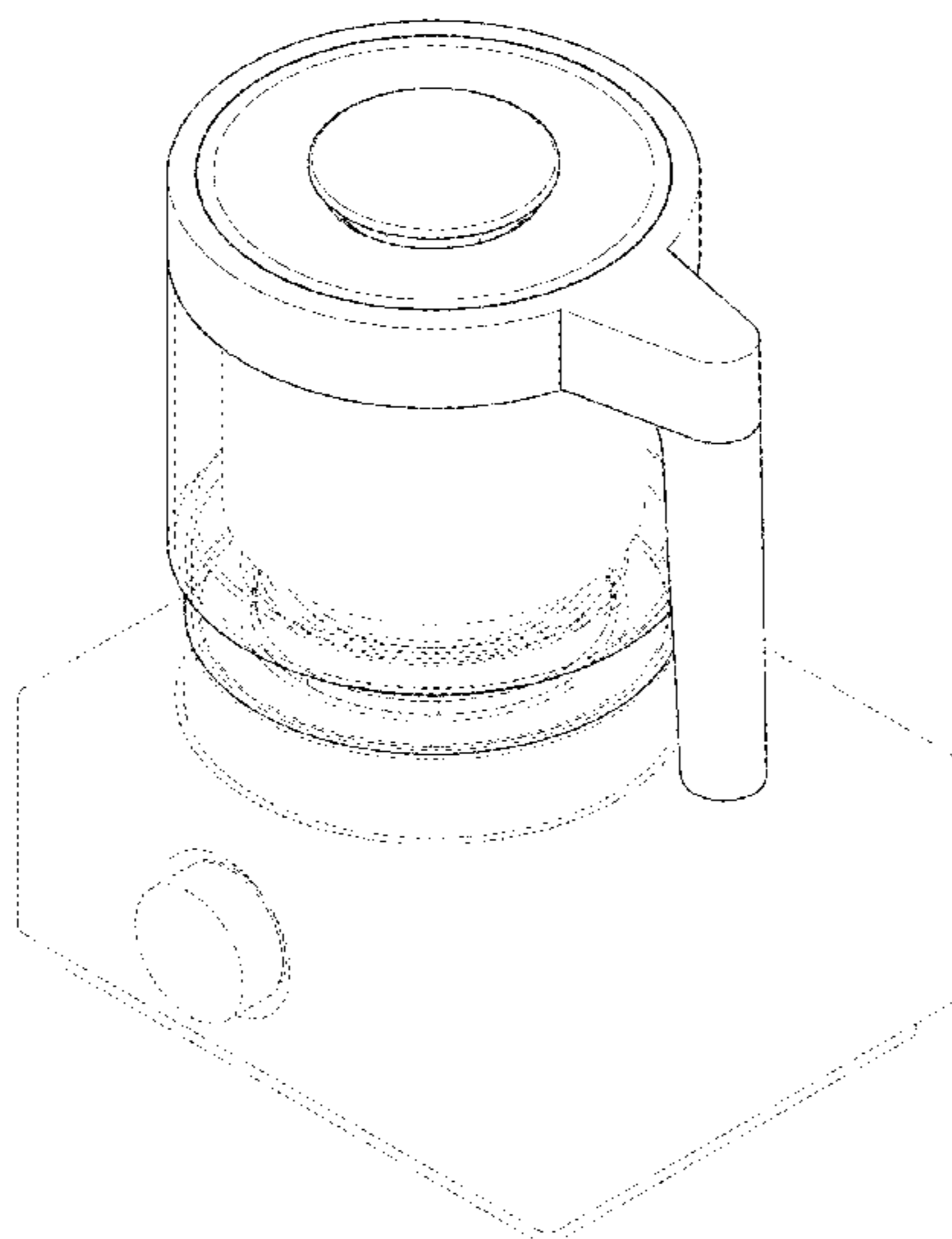


FIG. 1

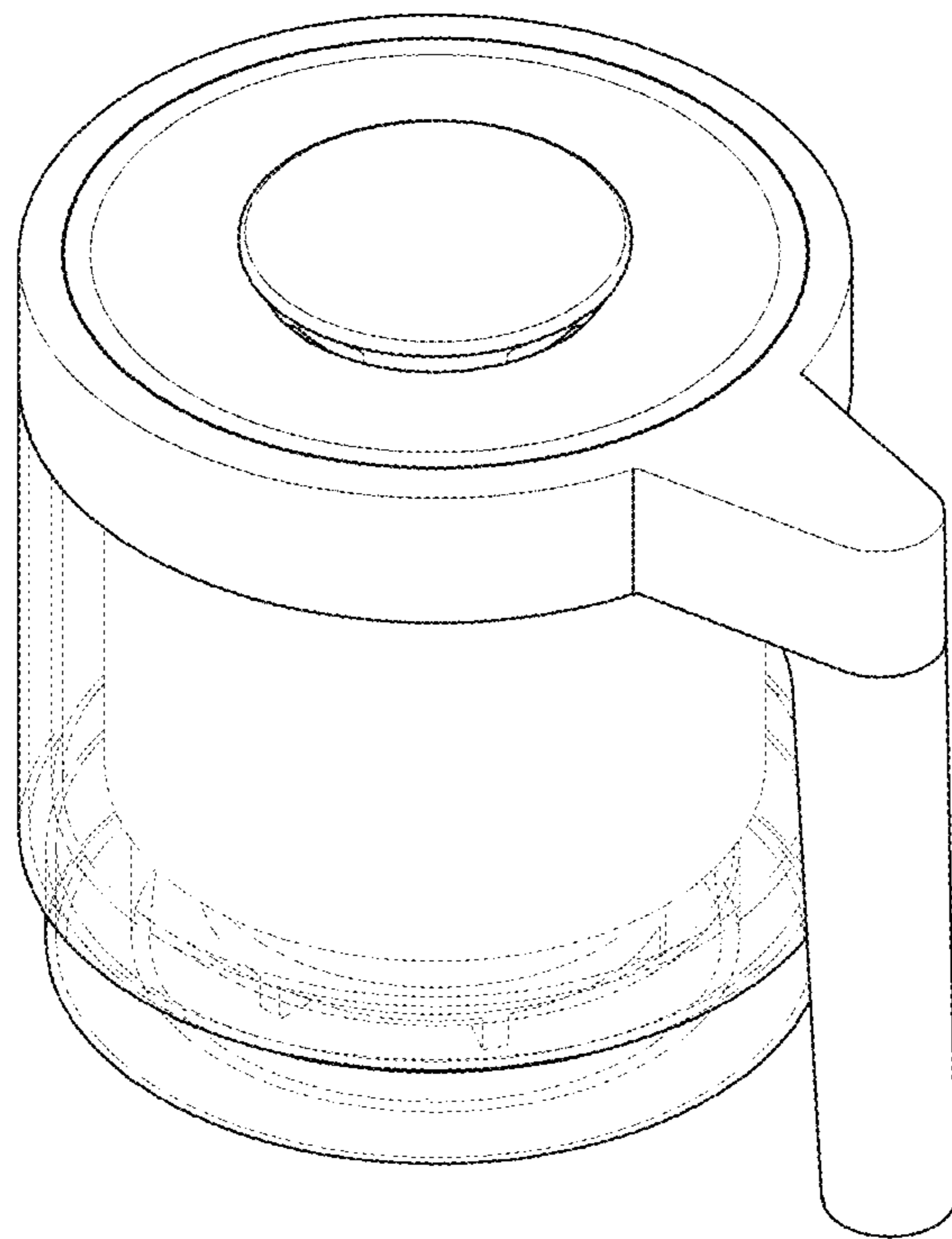


FIG. 2

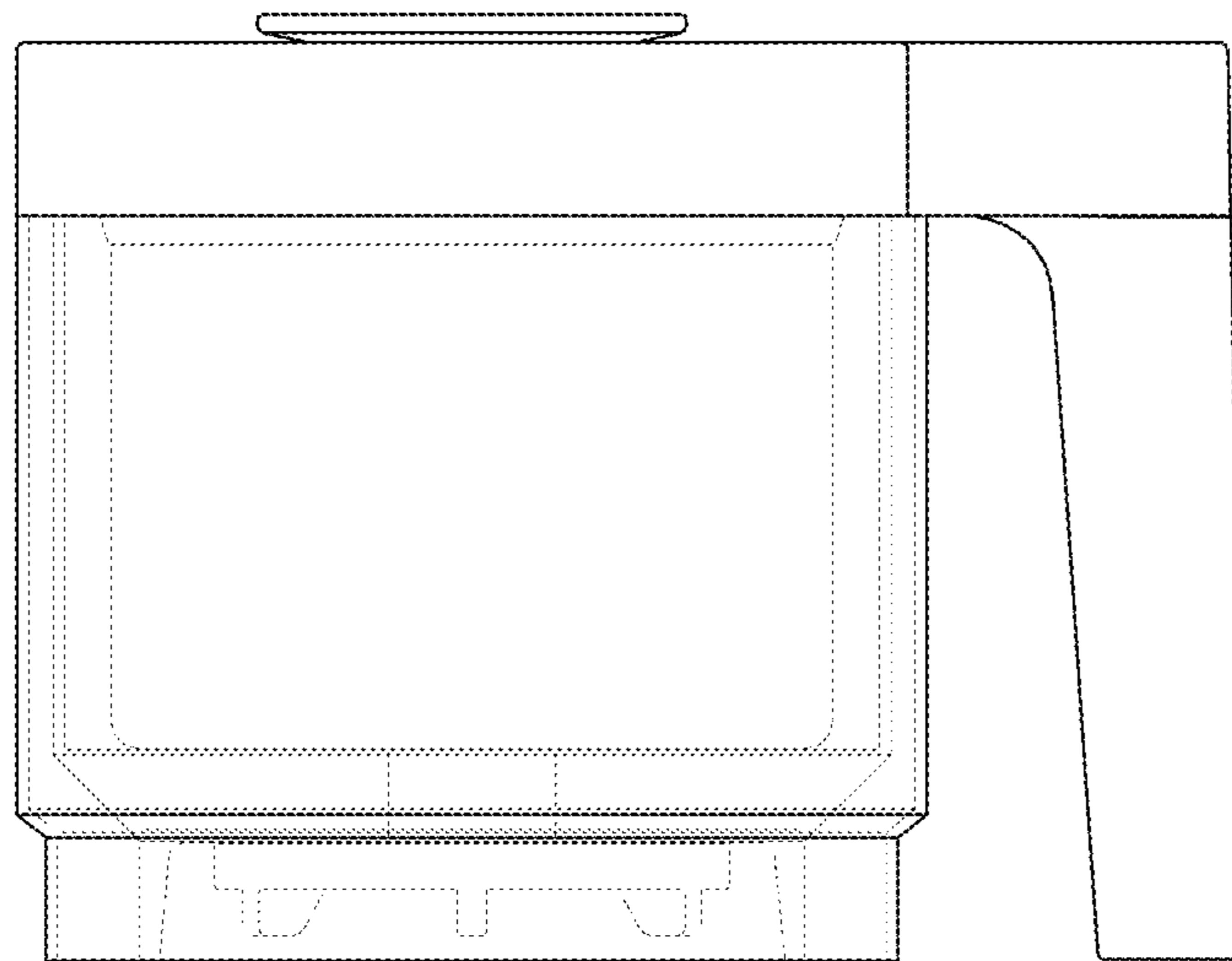


FIG. 3

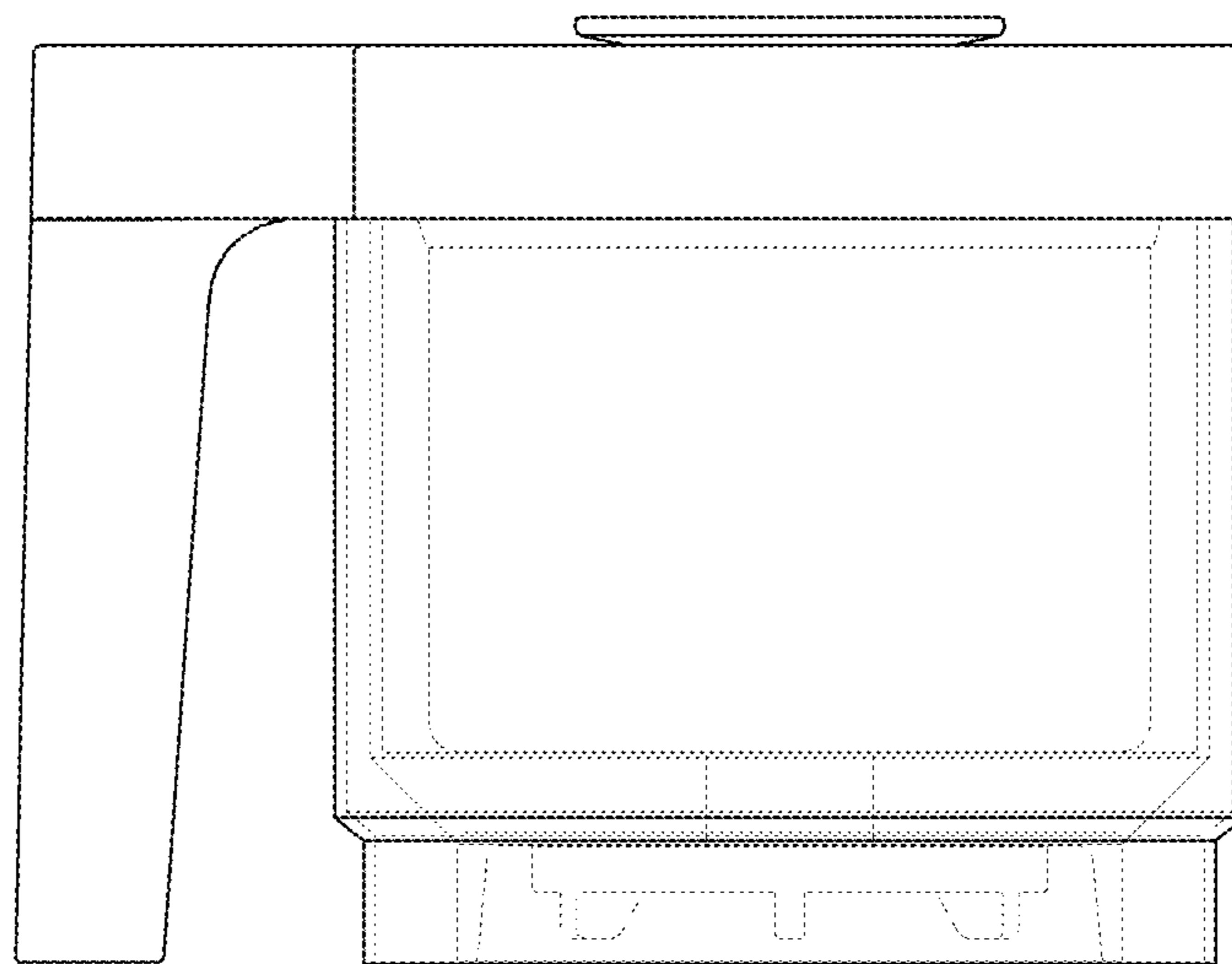


FIG. 4

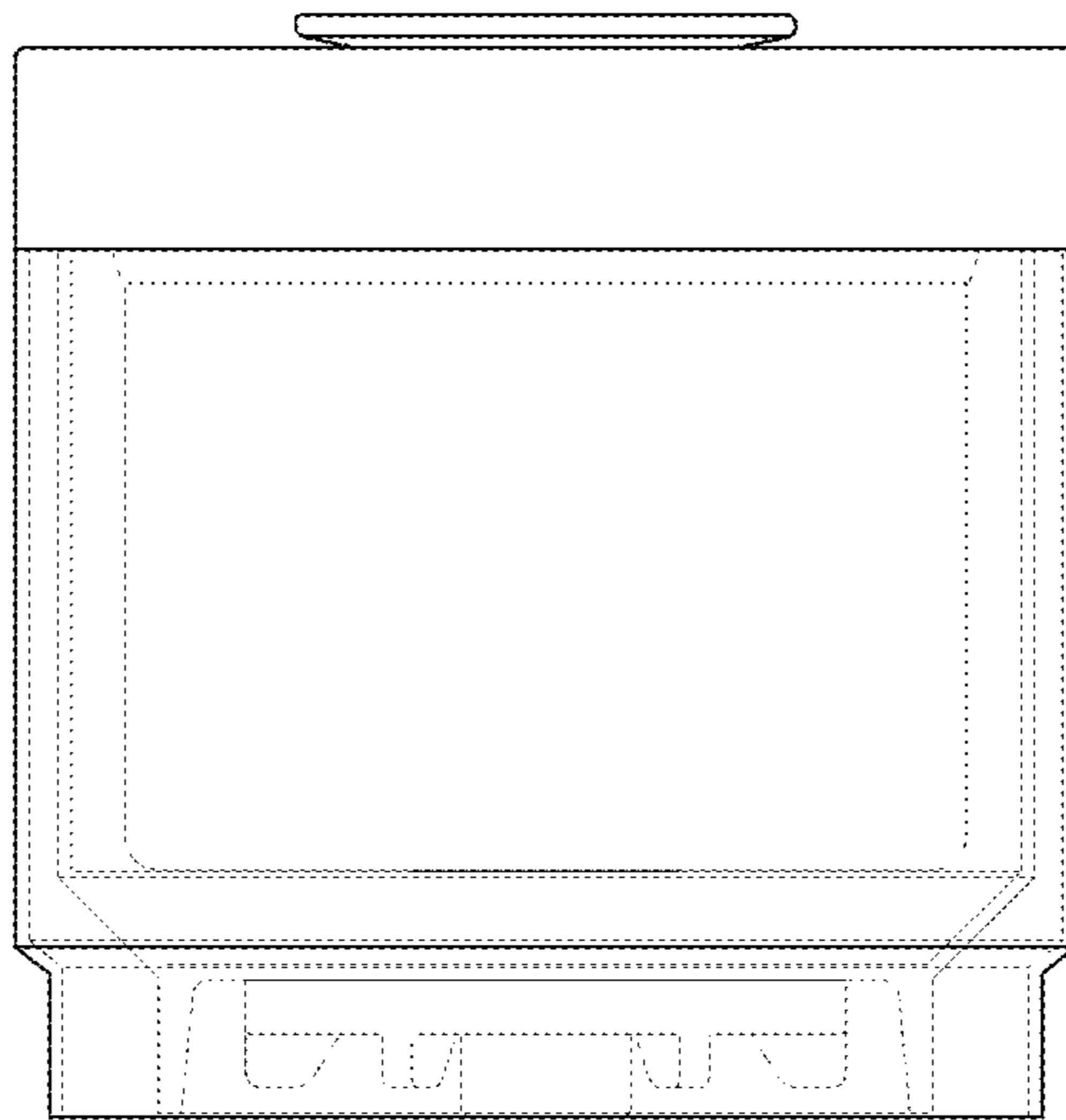


FIG. 5

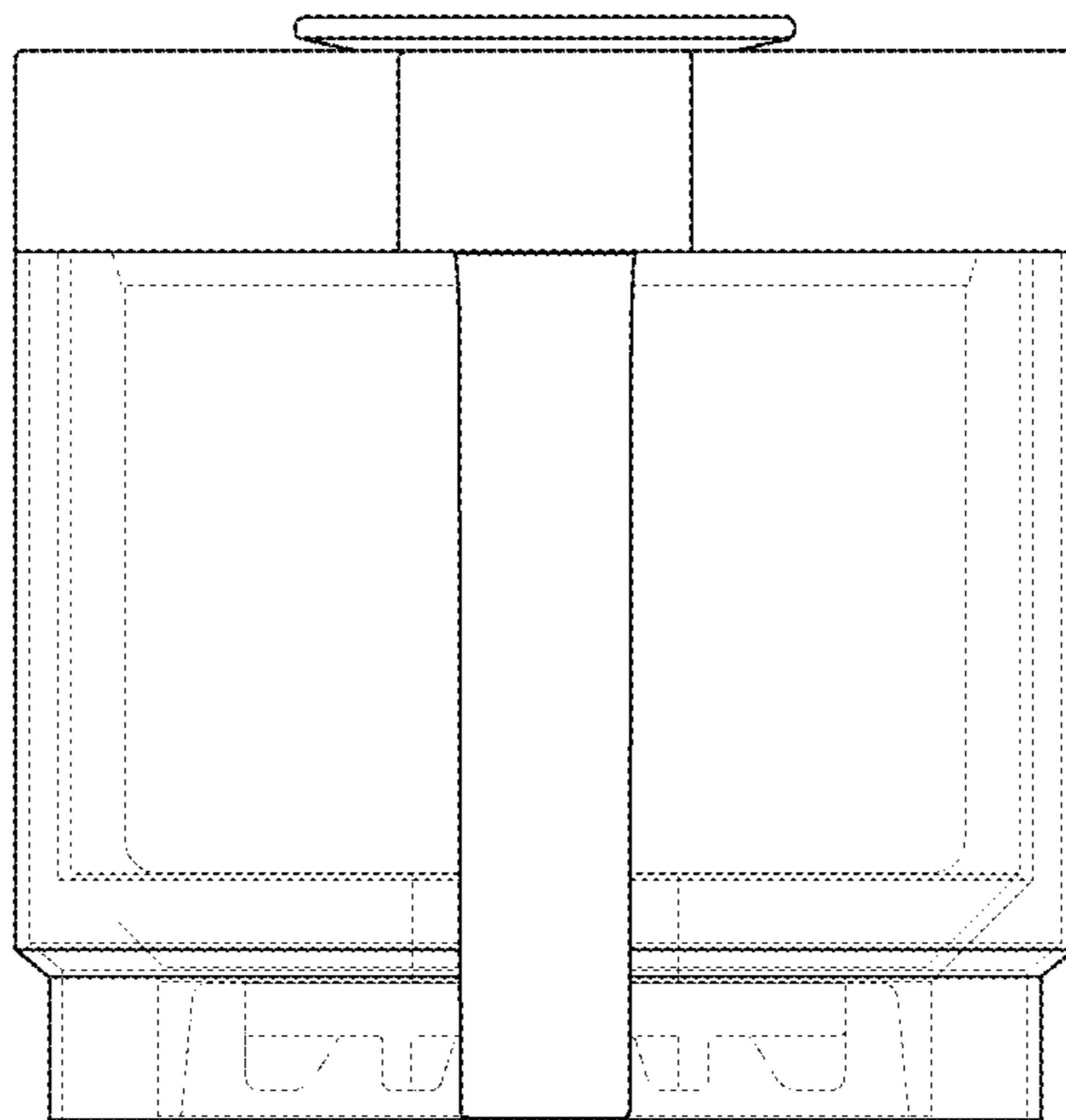


FIG. 6

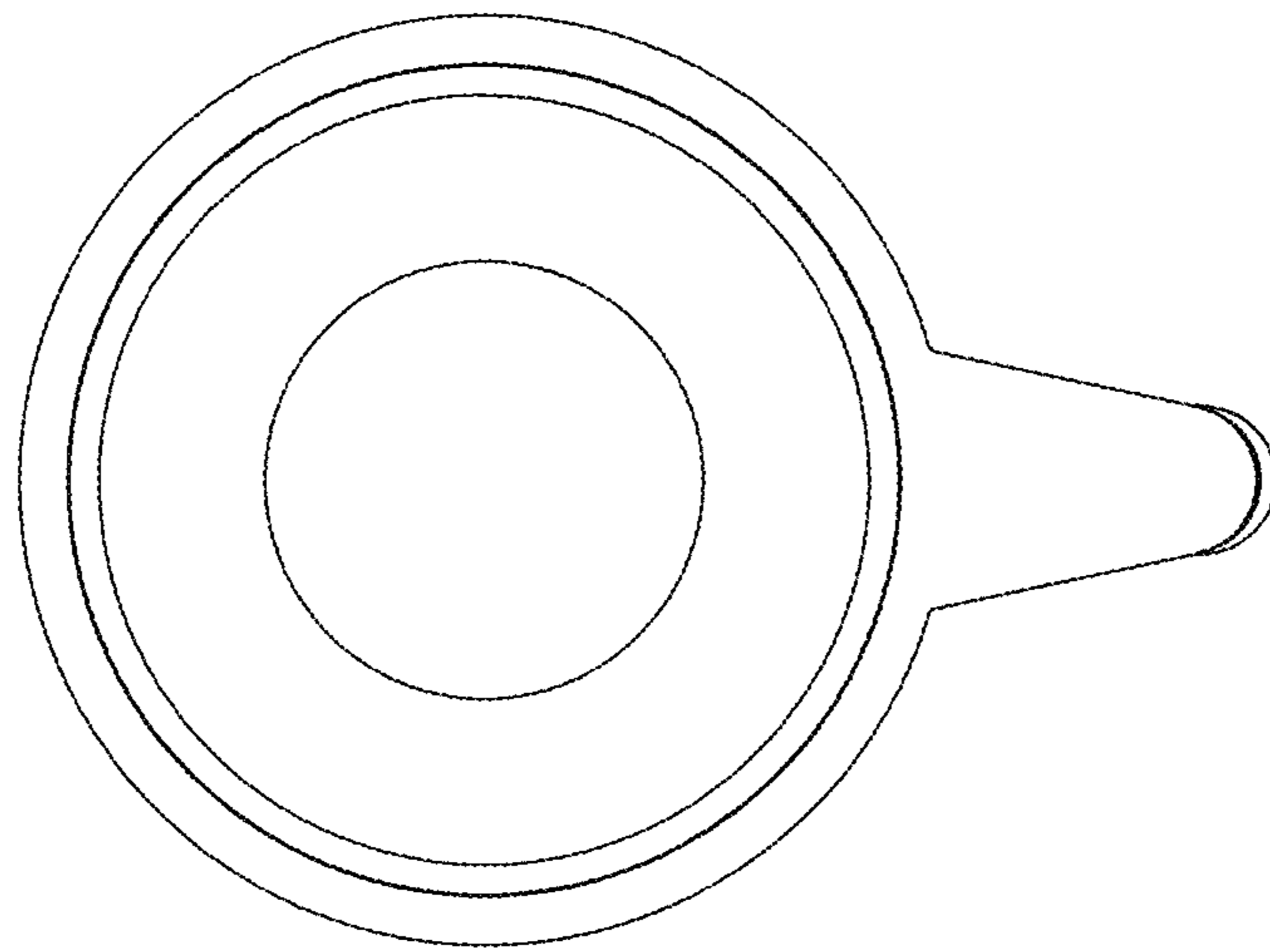


FIG. 7

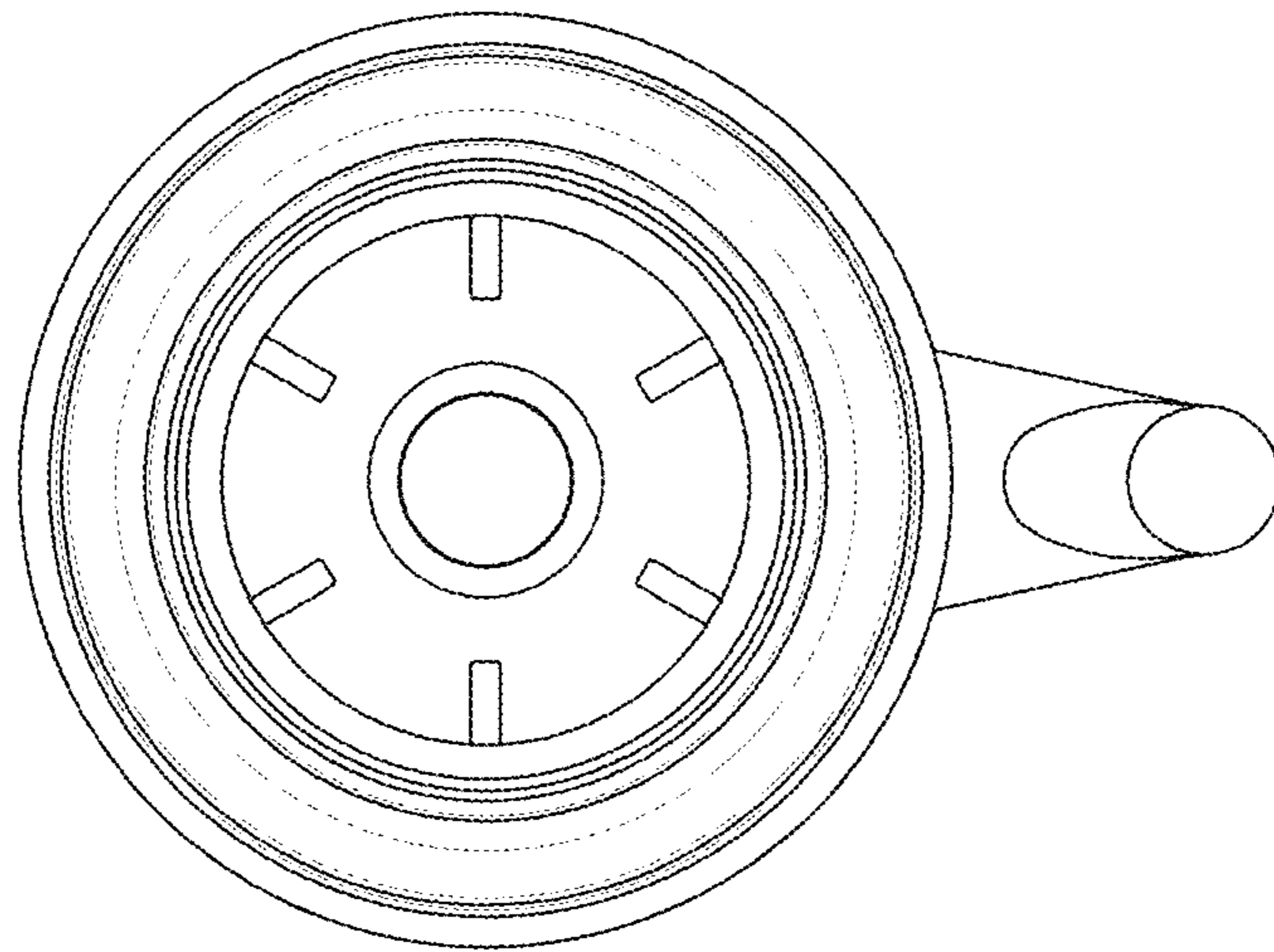




FIG. 8

