



US00D897771S

(12) **United States Design Patent** (10) **Patent No.:** **US D897,771 S**
Colston (45) **Date of Patent:** **** Oct. 6, 2020**

(54) **GRILL WITH SAWHORSE LEGS AND SKIRT**

D179,345 S * 12/1956 Henry D7/334
2,822,228 A 2/1958 Comer
2,902,026 A 9/1959 Hathom
(Continued)

(71) Applicant: **Traeger Pellet Grills LLC**, Salt Lake City, UT (US)

(72) Inventor: **Michael Virgil Colston**, Salt Lake City, UT (US)

(73) Assignee: **Traeger Pellet Grills LLC**, Salt Lake City, UT (US)

(**) Term: **15 Years**

(21) Appl. No.: **29/667,355**

(22) Filed: **Oct. 19, 2018**

FOREIGN PATENT DOCUMENTS

CN 104352179 2/2015
FR 2132681 A1 11/1972
JP 59-174411 U 11/1984

OTHER PUBLICATIONS

Non-Final Action mailed for U.S. Appl. No. 15/070,225 dated Feb. 23, 2018.
Non-Final Office Action for U.S. Appl. No. 29/539,822 dated Dec. 28, 2017.
Traeger Timberline 1300, by John R. Delaney, PCMag [online], published Aug. 4, 2017, [retrieved on Dec. 21, 2017]. Retrieved from the Internet, URL: <https://www.pcmag.com/review/355354/traeger-timberline-1300>.

(Continued)

Related U.S. Application Data

(63) Continuation of application No. PCT/US2017/067370, filed on Dec. 19, 2017, and a continuation of application No. 15/070,220, filed on Mar. 15, 2016, and a continuation of application No. 29/539,822, filed on Sep. 17, 2015, now Pat. No. Des. 839,047.

(51) **LOC (12) Cl.** **07-99**

(52) **U.S. Cl.**
USPC **D7/403**

(58) **Field of Classification Search**
USPC D7/387, 402, 409, 323, 332-337
CPC A47J 37/07-0781; A47J 37/0786; A47J 33/00; A23B 4/044; A23B 4/048; A23B 4/052; A23B 4/0523; A23B 4/0526; A23B 4/056

See application file for complete search history.

(56) **References Cited**

U.S. PATENT DOCUMENTS

639,099 A 12/1899 Schoregge
1,300,710 A 4/1919 Edwards
2,631,076 A 3/1953 Redlich

Primary Examiner — Susan E Krakower

Assistant Examiner — Andrew Kerr

(74) *Attorney, Agent, or Firm* — TraskBritt

(57) **CLAIM**

The ornamental design for a grill with sawhorse legs and skirt, as shown and described.

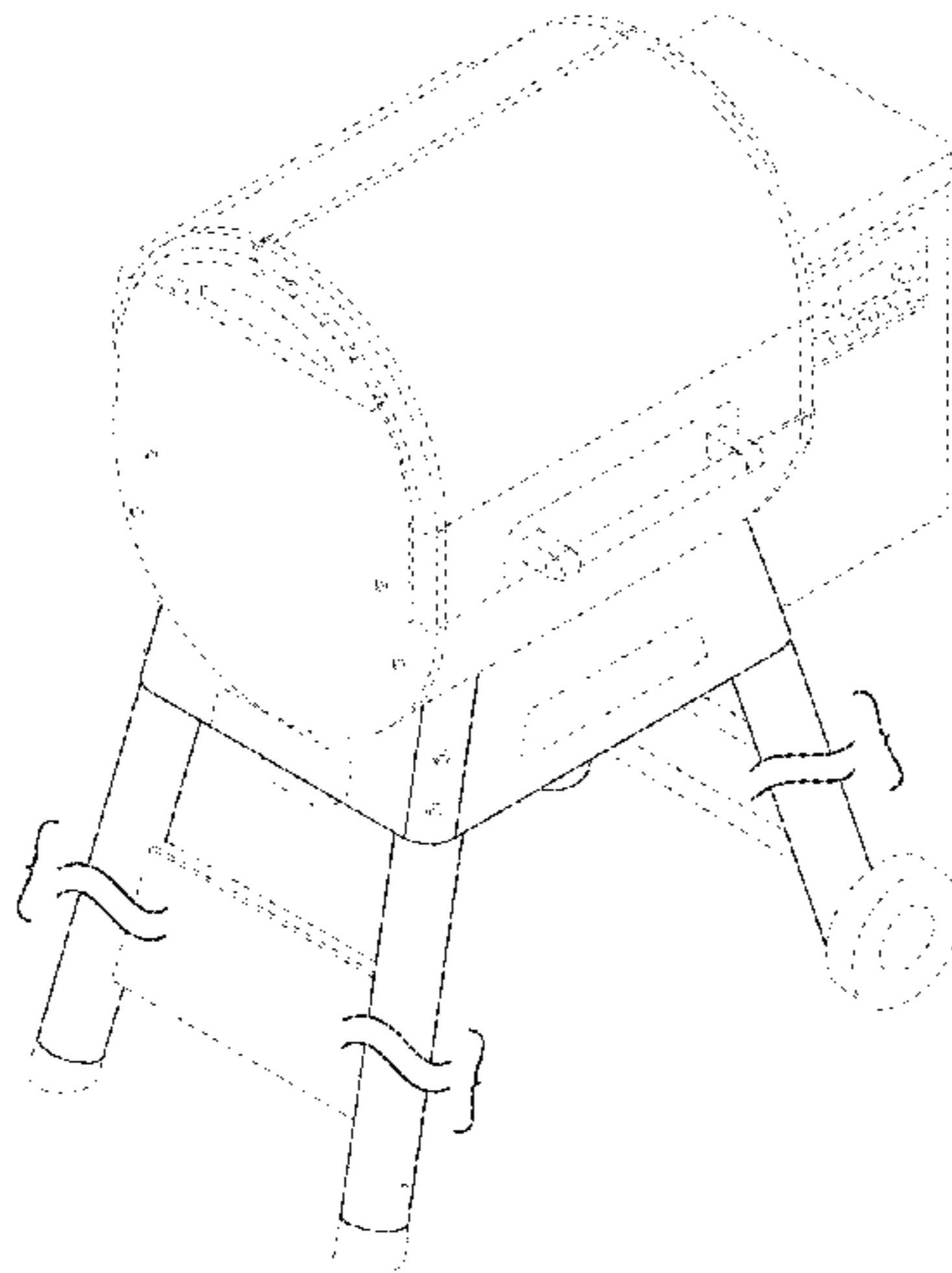
DESCRIPTION

FIG. 1 is a top front left perspective view of a grill with sawhorse legs and skirt including my design;
FIG. 2 is a front elevation view thereof;
FIG. 3 is a rear elevation view thereof;
FIG. 4 is a top plan view thereof;
FIG. 5 is a bottom plan view thereof;
FIG. 6 is a right elevation view thereof; and,
FIG. 7 is a left elevation view thereof.

The grill with sawhorse legs and skirt is shown with a symbolic break in its length. The appearance of any portion of the article between the break lines forms no part of the claimed design.

The broken lines are included for the purpose of showing environmental portions of the grill with sawhorse legs and form no part of the claimed design.

1 Claim, 5 Drawing Sheets



(56)

References Cited

U.S. PATENT DOCUMENTS

D188,879	S	9/1960	Gauss		D510,835	S	10/2005	Pai
D196,553	S	10/1963	Mayer		D510,838	S	10/2005	Nipke et al.
D196,996	S	11/1963	Kates		D511,924	S	11/2005	Chung
3,533,393	A	10/1970	Haapanen		D512,263	S	12/2005	Chung
3,665,913	A	5/1972	Cagle		D516,366	S	3/2006	Nipke et al.
3,754,728	A	8/1973	Bowman		D526,831	S	8/2006	Chung
3,769,901	A *	11/1973	Phillips	A47J 37/0704 99/444	D526,833	S	8/2006	Chung
					D526,834	S	8/2006	Chung
3,791,370	A	2/1974	Fauser		D528,847	S	9/2006	Chung
3,883,104	A	5/1975	Delafield		D534,755	S	1/2007	Knight
3,938,493	A	2/1976	Bauer		D535,522	S	1/2007	Seager
3,945,740	A	3/1976	Weiler		7,156,087	B1	1/2007	Churchhill
3,964,404	A	6/1976	Mueller et al.		D562,619	S	2/2008	Henley
4,076,008	A	2/1978	Deaton		D563,148	S	3/2008	Henry
4,090,490	A *	5/1978	Riley	A47J 37/0786 110/167	D572,072	S	7/2008	Chung
					D576,833	S	9/2008	Mansell
4,132,178	A	1/1979	Mueller et al.		D579,260	S	10/2008	Zischke
4,192,113	A	3/1980	Martin, Jr.		D583,185	S	12/2008	Rutter et al.
4,233,890	A	11/1980	Jansen		D592,442	S	5/2009	Rutter et al.
4,362,093	A	12/1982	Griscom		7,624,675	B2	12/2009	Galdamez
4,396,173	A	8/1983	Call, Sr.		D609,959	S	2/2010	Chen
4,408,928	A	10/1983	Steinke		D618,037	S	6/2010	Chung
4,592,335	A	6/1986	Beller		D618,483	S	6/2010	Chung
4,665,891	A	5/1987	Nemec		7,753,047	B1	7/2010	Trammell
4,700,618	A	10/1987	Cox		D623,003	S	9/2010	Chung
4,788,906	A	12/1988	Starks		D623,888	S	9/2010	Chung
4,955,358	A	9/1990	Harris et al.		7,798,057	B2	9/2010	Ritterling
5,002,247	A	3/1991	Dispenza et al.		D631,279	S	1/2011	Davis
5,031,602	A	7/1991	Vick		7,861,705	B2	1/2011	Hulsey
D320,527	S	10/1991	Carroll		D638,654	S	5/2011	Plott
5,070,857	A	12/1991	Sarten		7,984,709	B1	7/2011	Brynes
5,163,359	A	11/1992	McLane		D648,975	S	11/2011	Chiang
D350,668	S	9/1994	Giebel et al.		D653,494	S	2/2012	Chung
5,404,795	A	4/1995	Coble		D657,181	S	4/2012	Chung
5,473,979	A	12/1995	Ruben		D660,646	S *	5/2012	Simms, II D7/402
5,481,964	A	1/1996	Kitten		D668,097	S	10/2012	Simms, II
5,483,947	A	1/1996	Giebel et al.		8,381,712	B1	2/2013	Simms
D369,716	S	5/1996	Blanc		D680,794	S	4/2013	Chung
5,524,610	A	6/1996	Clark		D680,795	S	4/2013	Chung
D376,510	S	12/1996	Ting		D680,796	S	4/2013	Chung
5,694,917	A	12/1997	Giebel		D687,667	S	8/2013	Chien
5,934,180	A	8/1999	Lin		8,602,017	B2	12/2013	May et al.
D414,374	S	9/1999	Ting		D708,002	S	7/2014	Cruccolini
5,947,007	A	9/1999	O'Grady		D709,315	S	7/2014	Witzel et al.
6,000,388	A	12/1999	Andress		D714,090	S	9/2014	Harper
D428,303	S	7/2000	Wagner et al.		8,870,163	B2	10/2014	Regan
D428,760	S	8/2000	Huang		D717,094	S	11/2014	Chung
6,125,836	A	10/2000	Felton		D717,095	S	11/2014	Chung
6,182,560	B1	2/2001	Andress		D717,096	S	11/2014	Chung
6,189,528	B1	2/2001	Oliver		D717,098	S	11/2014	Chung
6,209,533	B1 *	4/2001	Ganard	A47J 37/0704 126/25 R	8,915,238	B2	12/2014	Goeken
					D724,714	S	3/2015	Benson et al.
D447,913	S *	9/2001	Cragg	D7/334	D724,886	S	3/2015	Chung
D456,202	S	4/2002	McNair		D736,026	S	8/2015	Kam
D456,203	S	4/2002	Peloquin		D738,155	S	9/2015	Chung
6,397,731	B1	6/2002	Gillespie et al.		D739,170	S	9/2015	Chung
D460,312	S	7/2002	Fry et al.		D744,775	S	12/2015	Yang
D460,658	S	7/2002	Wu		D767,936	S	10/2016	Yang
6,422,134	B1	7/2002	Barksdale		D780,502	S	3/2017	Gloger
6,439,220	B1	8/2002	Johnson		D786,014	S	5/2017	Knight
D466,358	S	12/2002	Eisinger et al.		D796,258	S	9/2017	Streckfus
6,557,545	B2	5/2003	Williams		D798,645	S	10/2017	Lira-Ninez
6,561,082	B2	5/2003	Gillespie et al.		D798,646	S	10/2017	Lira-Ninez
D480,595	S	10/2003	Pai		D799,259	S	10/2017	Lira-Ninez
D485,116	S	1/2004	Kwok		D806,463	S	1/2018	Gloger
D494,406	S	8/2004	Zhang		D814,226	S	4/2018	Mansueto et al.
D496,821	S	10/2004	Pai		D817,091	S	5/2018	Colston
6,810,792	B1	11/2004	Knight		D817,684	S	5/2018	Mansueto et al.
D504,274	S	4/2005	Ceccon		D820,628	S *	6/2018	Zhou D7/334
D504,798	S	5/2005	Nipke et al.		D825,990	S	8/2018	Colston
D505,824	S	6/2005	Nipke et al.		D827,368	S	9/2018	Colston
6,913,011	B1	7/2005	Snider		D827,370	S	9/2018	Colston
D507,927	S	8/2005	Nipke et al.		D827,371	S	9/2018	Colston
D508,364	S	8/2005	Nipke et al.		D829,049	S	9/2018	Measom et al.
D508,365	S	8/2005	Nipke et al.		D829,050	S	9/2018	Measom et al.
					D832,046	S	10/2018	Chung
					D835,448	S	12/2018	Mansueto et al.
					D839,047	S	1/2019	Colston
					10,213,051	B2	2/2019	Colston et al.

(56)

References Cited

U.S. PATENT DOCUMENTS

D842,637	S	3/2019	Mansueto et al.	
D844,361	S	4/2019	Chung	
D853,786	S *	7/2019	Colston	A47J 37/0704 D7/403
D871,821	S *	1/2020	Boltz	D7/334
2002/0020405	A1	2/2002	Coleman	
2002/0078944	A1	6/2002	Cozzolino et al.	
2003/0019491	A1	1/2003	Bossler	
2003/0019492	A1	1/2003	Williams	
2003/0029324	A1	2/2003	Gillespie et al.	
2005/0204934	A1	9/2005	Robertson	
2005/0217659	A1	10/2005	McClenahan	
2006/0016447	A1	1/2006	Meyer	
2006/0042475	A1	3/2006	Craig	
2006/0137676	A1	6/2006	Barker	
2007/0163568	A1	7/2007	Murray	
2007/0175467	A1	8/2007	Liu	
2007/0277805	A1	12/2007	Ho	
2008/0011285	A1	1/2008	Milligan	
2009/0139151	A1	6/2009	Quam et al.	
2009/0199839	A1	8/2009	Hulsey	
2010/0024797	A1	2/2010	Tsung	
2010/0059038	A1	3/2010	Ho	
2010/0083947	A1	4/2010	Guillory	
2011/0079209	A1	4/2011	Bruno et al.	
2011/0079210	A1	4/2011	Jackovitch	
2011/0083659	A1	4/2011	Grasso et al.	
2012/0192726	A1	8/2012	Clearman	
2012/0216790	A1	8/2012	Hopkins	
2012/0266857	A1	10/2012	Lin	
2013/0061765	A1	3/2013	Reinhart	
2013/0112088	A1	5/2013	May	
2013/0206132	A1	8/2013	Simms, II	
2013/0292520	A1	11/2013	Alden	
2013/0298894	A1 *	11/2013	Kleinsasser	A47J 37/0704 126/25 R
2014/0090634	A1	4/2014	Li	
2014/0261012	A1	9/2014	Perez, Jr. et al.	
2015/0047512	A1	2/2015	Marra	
2015/0047515	A1	2/2015	Jenness	
2015/0047625	A1	2/2015	Weil	
2015/0079250	A1	3/2015	Ahmed	
2015/0144238	A1	5/2015	Traeger	
2015/0265099	A1	9/2015	Coffie	
2015/0305559	A1	10/2015	Chung	
2016/0345739	A1	12/2016	McCullough	
2017/0020336	A1	1/2017	Cole et al.	
2017/0065124	A1	3/2017	Colston	
2017/0067649	A1	3/2017	Colston	
2017/0196400	A1	7/2017	Colston	
2018/0296031	A1 *	10/2018	Terrell, Jr.	A47J 37/0786
2018/0368618	A1 *	12/2018	Measom	A47J 37/0713
2019/0150663	A1	5/2019	Colston et al.	

OTHER PUBLICATIONS

Non-Final Action mailed for U.S. Appl. No. 15/070,220 dated Sep. 6, 2018.

Notice of Allowance mailed for U.S. Appl. No. 15/070,225 dated Oct. 10, 2018.

International Search Report for application No. PCT/US2016/051060 dated Dec. 8, 2016.

International Search Report for application No. PCT/US2016/051066 dated Dec. 8, 2016.

Restriction Requirement for U.S. Appl. No. 14/906,526 dated Sep. 12, 2017.

International Search Report and Written Opinion for application No. PCT/US2015/046349 dated Dec. 28, 2015.

Combined Search Examination Report for application No. GB1604584.1 dated Jul. 27, 2016.

amazon.com Inc., 2014, "The Original Bar-Be Quick Build in Grill & Bake + Free pack of Beechwood smoking chips", amazon.co.uk, [online], Available from <https://www.amazon.co.uk/Original-Bar-Be-Quick-Build-Beechwood-smoking/dp/B00IGUPK4C> [Accessed Jul. 22, 2015].

Non-Final Office Action for U.S. Appl. No. 14/906,526 dated Dec. 11, 2017.

Non-Final Office Action for U.S. Appl. No. 29/539,825 dated Dec. 28, 2017.

Australian Office Action for AU Application No. 2017374059, dated May 24, 2019, 8 page.

Canadian Office Action Mailed for CA Application No. 3008643, dated Feb. 28, 2019, 4 page.

European search opinion Mailed on Jan. 31, 2019 for EP Application No. 16845165.

Ex Parte Quayle Action for U.S. Appl. No. 29/539,822, dated Jun. 13, 2018 5 pages.

Final Rejection for U.S. Appl. No. 15/070,220, dated Feb. 1, 2019, 11 pages.

International Search Report for International Application No. PCT/US2017/067370, dated Apr. 16, 2018, 5 pages.

IPEA/408—Written Opinion of the IPEA dated Dec. 8, 2016 for WO Application No. PCT/US16/051060.

Non-Final Office Action for U.S. Appl. No. 29/539,825 dated Dec. 28, 2017, 12 pages.

Non-Final Rejection for U.S. Appl. No. 15/070,220, dated Jun. 21, 2019 12 pages.

Non-Final Rejection for U.S. Appl. No. 15/070,220, dated Sep. 6, 2018 13 pages.

Non-Final Rejection for U.S. Appl. No. 29/539,822, dated Dec. 28, 2017, 10 pages.

Notice of Allowance for U.S. Appl. No. 29/539,822, dated Sep. 4, 2018 8 pages.

Supplementary European search report dated Jan. 22, 2019 for EP Application No. 16845165.

* cited by examiner

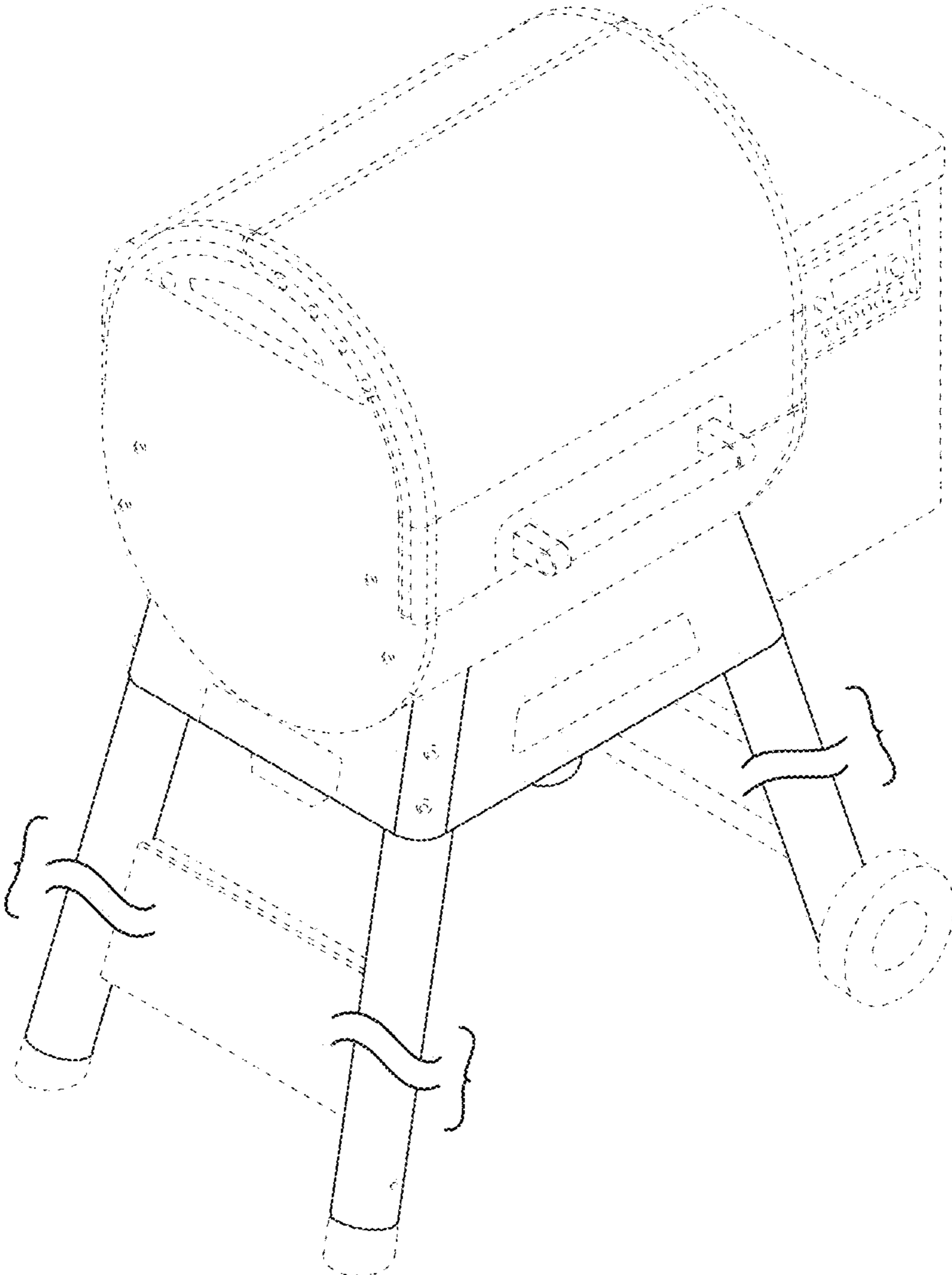


FIG. 1

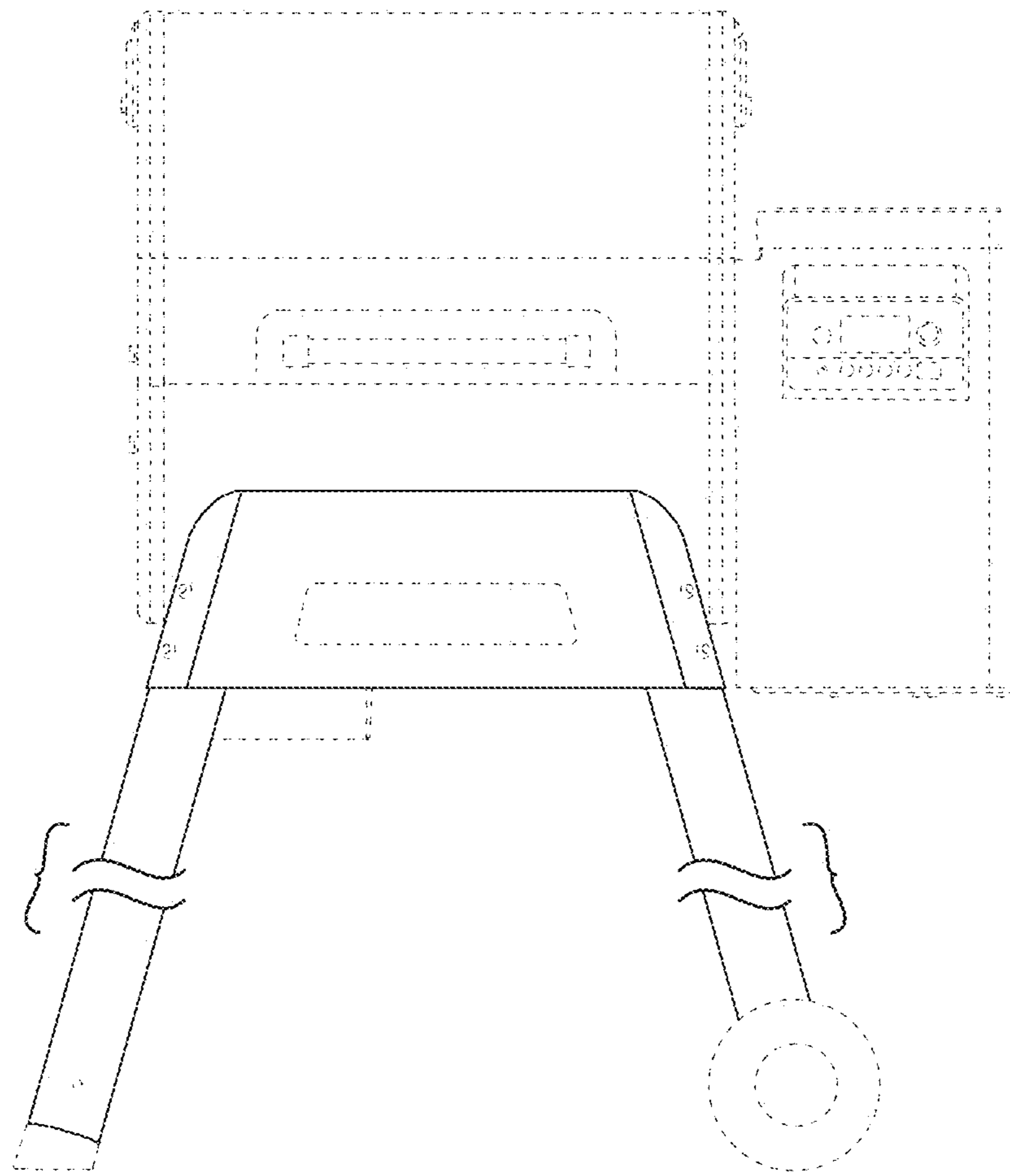


FIG. 2

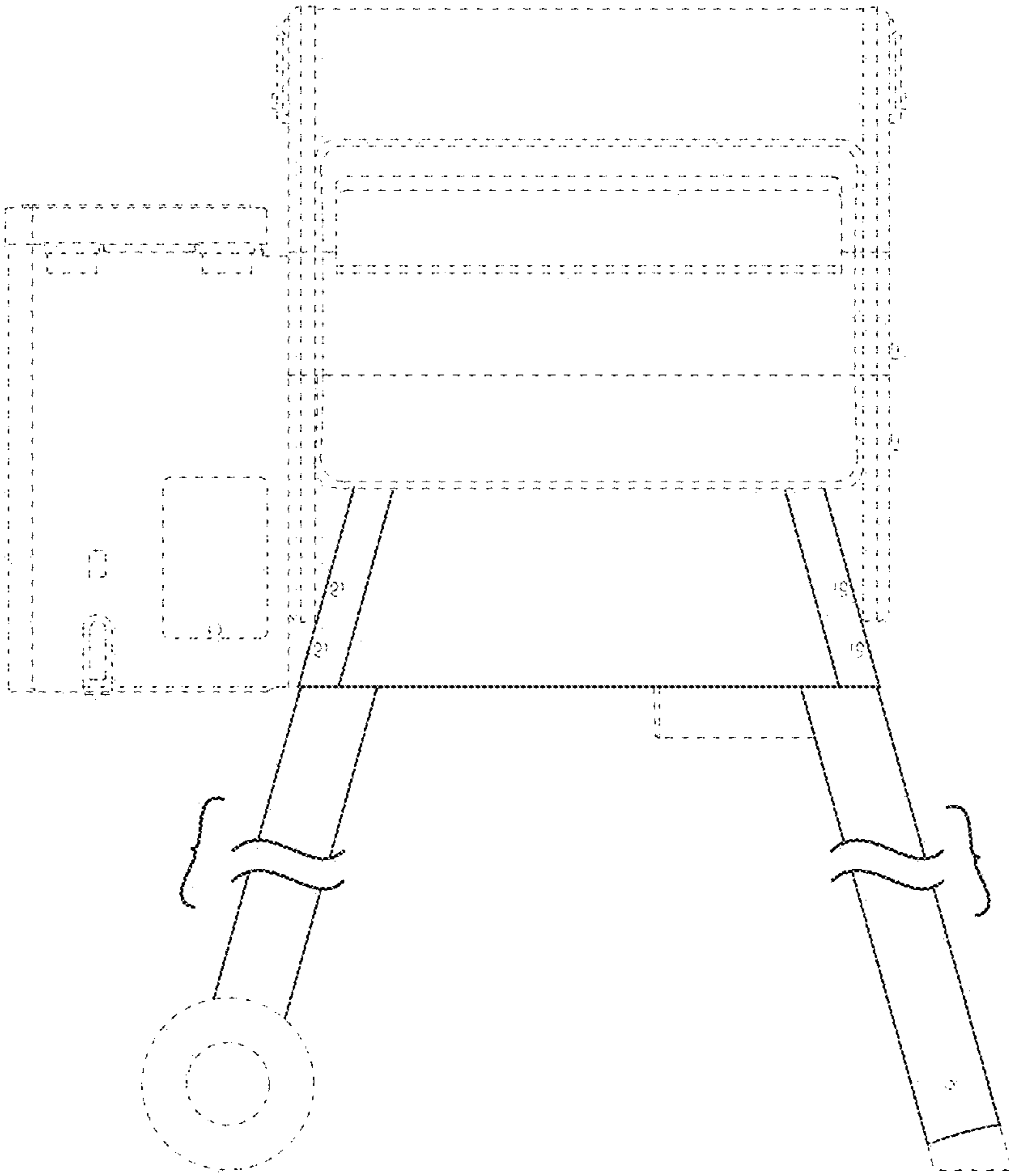


FIG. 3

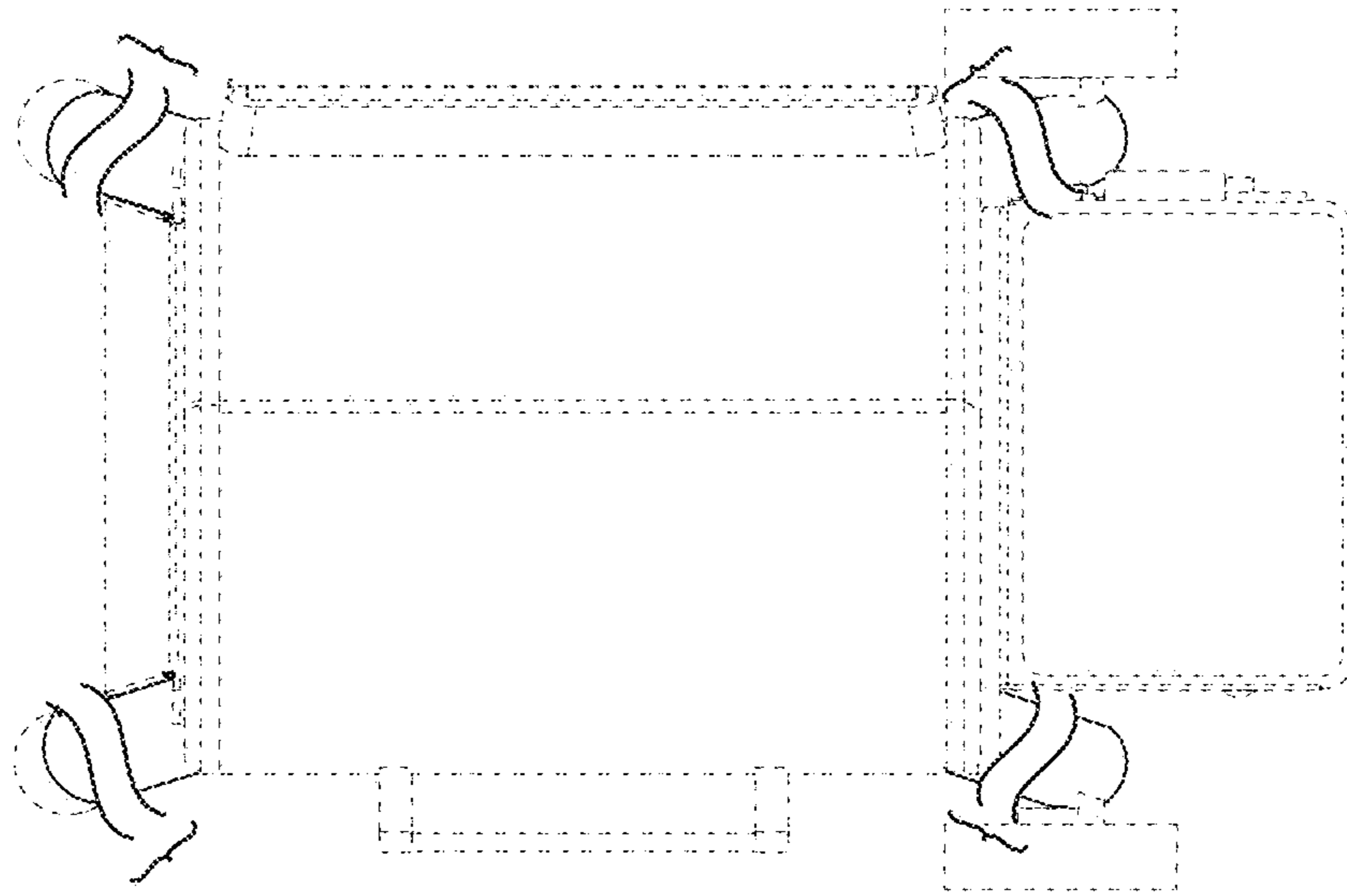


FIG. 4

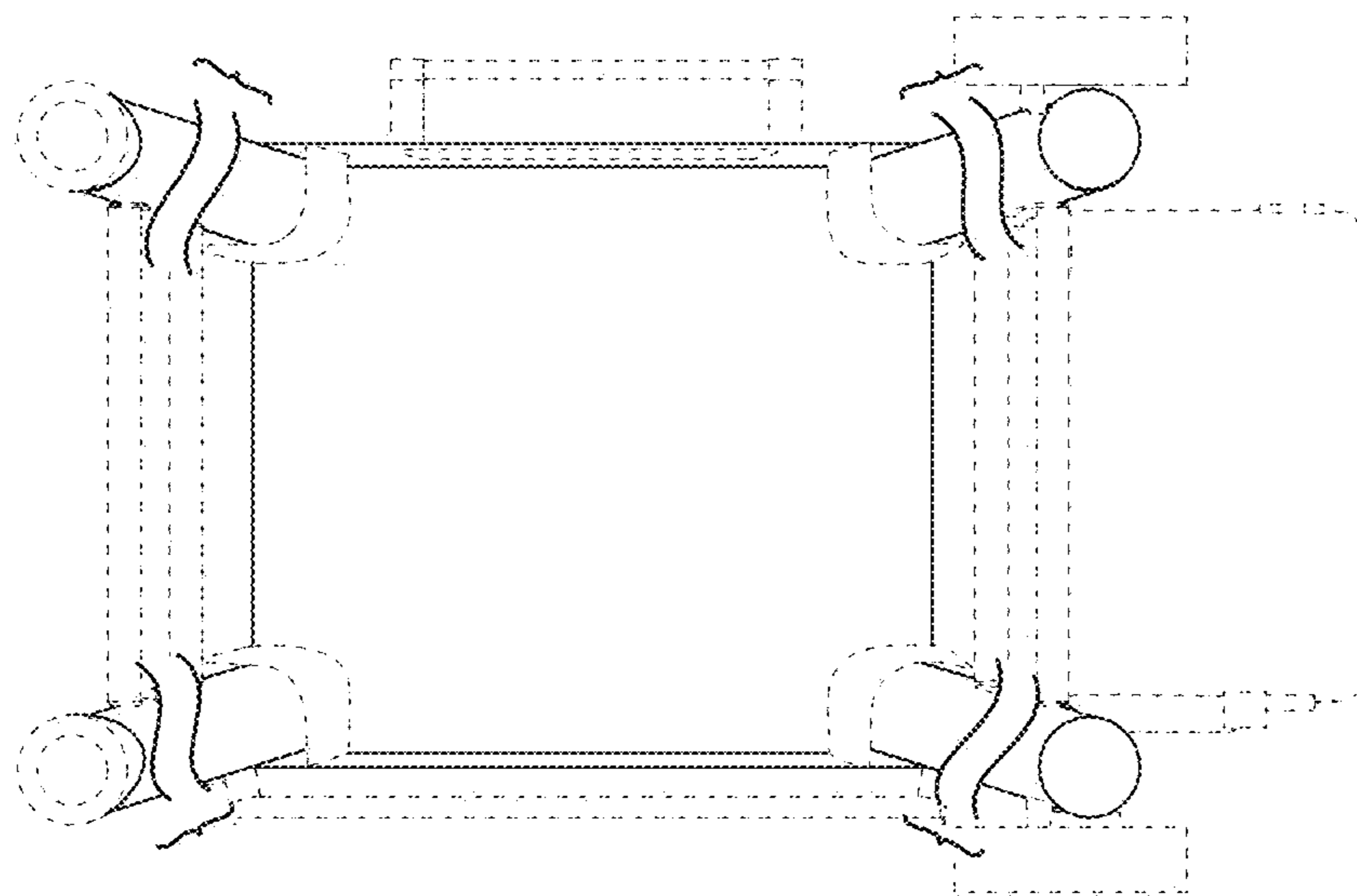


FIG. 5

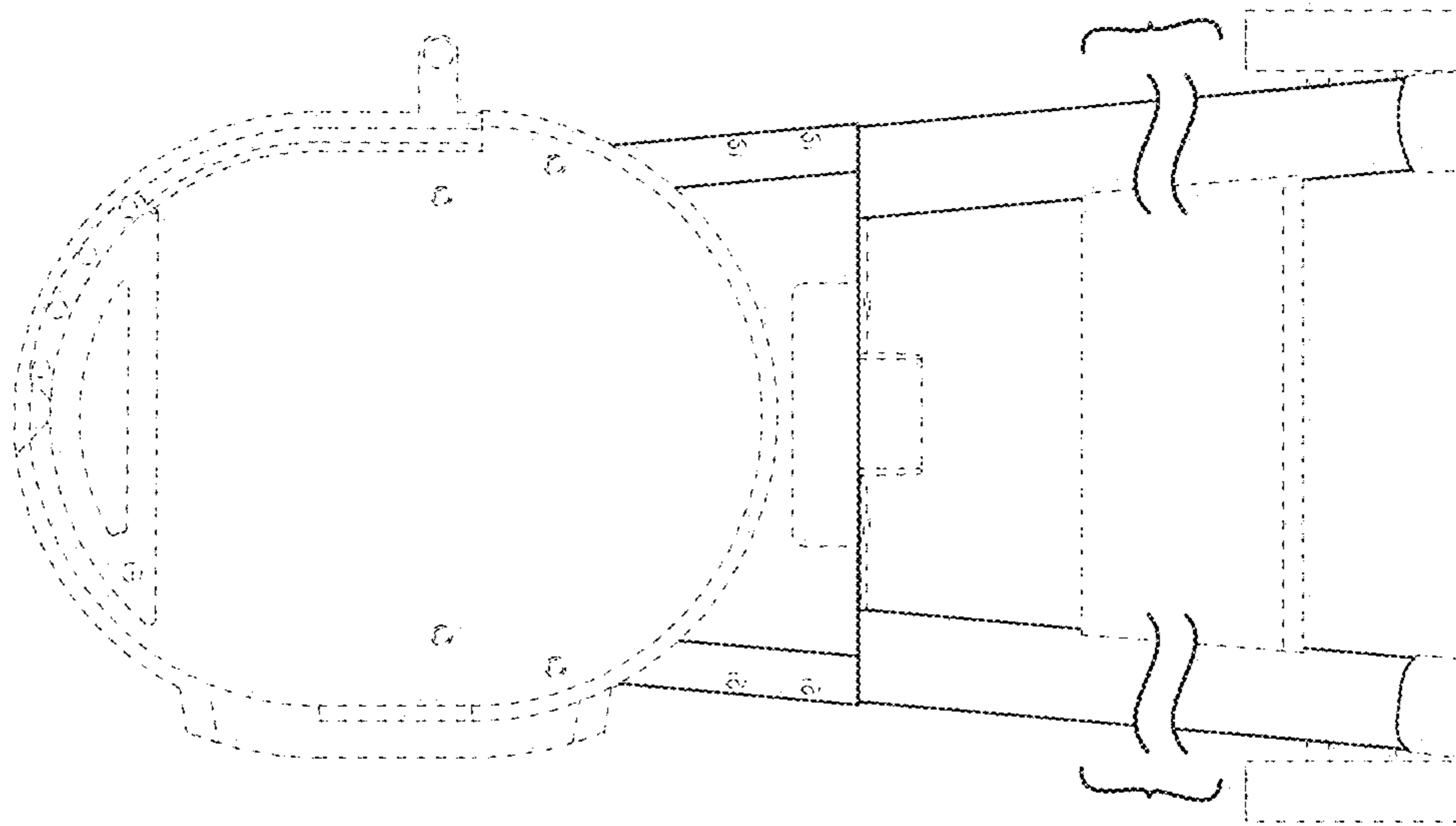


FIG. 6

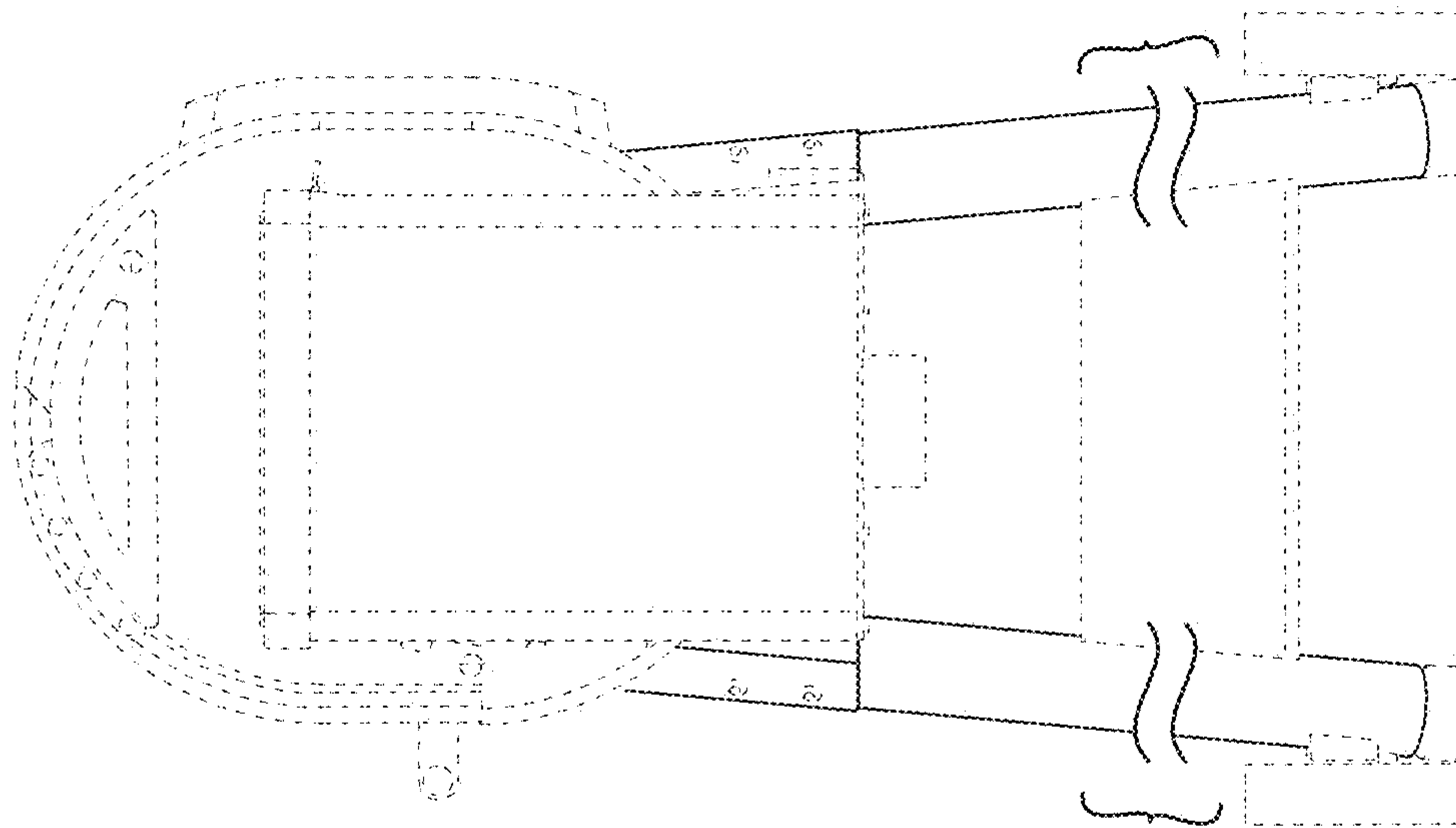


FIG. 7

UNITED STATES PATENT AND TRADEMARK OFFICE
CERTIFICATE OF CORRECTION

PATENT NO. : D897,771 S
APPLICATION NO. : 29/667355
DATED : October 6, 2020
INVENTOR(S) : Michael Virgil Colston

Page 1 of 1

It is certified that error appears in the above-identified patent and that said Letters Patent is hereby corrected as shown below:

On the Title Page

In ITEM (63), Line 4, change "2016, and a" to --2016, now U.S. Patent 10,568,461, issued February 26, 2020, provisional application No. 62/439,215, filed on December 27, 2016, provisional application No. 62/216,136, filed on September 9, 2015, and a--

Signed and Sealed this
Sixteenth Day of March, 2021



Drew Hirshfeld
*Performing the Functions and Duties of the
Under Secretary of Commerce for Intellectual Property and
Director of the United States Patent and Trademark Office*