



US00D897769S

(12) **United States Design Patent** (10) **Patent No.:** **US D897,769 S**
Harrell et al. (45) **Date of Patent:** **** Oct. 6, 2020**

(54) **COOKTOP COVER**
(71) Applicant: **DOMETIC SWEDEN AB**, Solna (SE)
(72) Inventors: **Dustin Harrell**, Goodlettsville, TN (US); **Sashidhar Tripurari**, Nashville, TN (US)

D450,527 S 11/2001 Busalt
D451,332 S 12/2001 Busalt
6,371,105 B1 4/2002 Merritt
D462,573 S 9/2002 Staebler
(Continued)

(73) Assignee: **Dometic Sweden AB**, Solna (SE)
(**) Term: **15 Years**

FOREIGN PATENT DOCUMENTS
CA 2317225 8/2001
CN 203349333 12/2013
(Continued)

(21) Appl. No.: **29/633,001**
(22) Filed: **Jan. 11, 2018**

OTHER PUBLICATIONS

“Comco RV Stove Top Cover”, posted Feb. 23, 2013[Online],[Retrieved Apr. 27, 2020], from internet: https://www.amazon.com/Camco-Universal-Convert-Counter-43554/dp/B000EDSSMA/ref=sr_1_1?dchild=1&keywords=trailer+or+camper+stove+top+cover&qid=1588018164&sr=8-1#customerReviews.*
(Continued)

Related U.S. Application Data

(62) Division of application No. 29/555,895, filed on Feb. 25, 2016, now Pat. No. Des. 810,493.

(51) **LOC (12) Cl.** **07-99**

(52) **U.S. Cl.**
USPC **D7/402**

(58) **Field of Classification Search**
USPC D7/339, 323, 328-330, 332-337, D7/340-349, 362-363, 387, 390, D7/402-408; D12/159, 195, 222, D12/317-318, 400-401, 409, 412, D12/414-415, 423-426; D15/89
CPC F24C 15/00; F24C 15/10; F24C 15/12; F24C 15/14; F25D 25/025; F25D 25/02
See application file for complete search history.

Primary Examiner — Sandra S Snapp
Assistant Examiner — Mehri F Bajoul
(74) *Attorney, Agent, or Firm* — Middleton Reutlinger

(57) **CLAIM**

The ornamental design for a cooktop cover, as shown and described.

DESCRIPTION

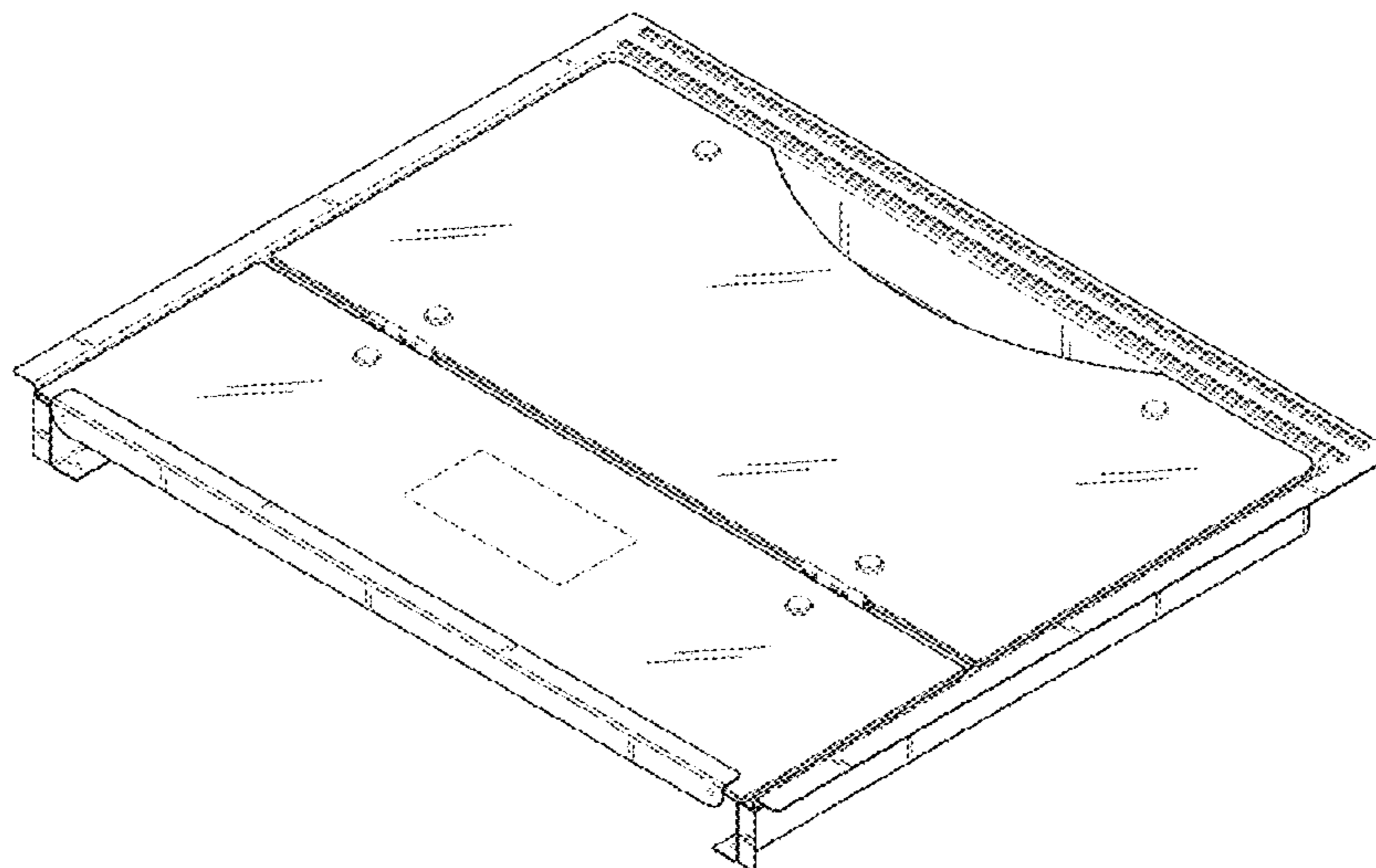
FIG. 1 is a perspective view of a cooktop cover showing our new design;
FIG. 2 is a top view of the design of FIG. 1;
FIG. 3 is a bottom view of the design of FIG. 1;
FIG. 4 is a right side view of the design of FIG. 1;
FIG. 5 is a left side view of the design of FIG. 1;
FIG. 6 is a front view of the design of FIG. 1; and,
FIG. 7 is a rear view of the design of FIG. 1.
The broken lines in the drawings depict portions of the cooktop cover that form no part of the claimed design.

(56) **References Cited**

U.S. PATENT DOCUMENTS

2,035,060 A 3/1936 Fox
2,350,074 A 5/1944 Smallen
2,674,990 A 4/1954 Bury
2,696,812 A 12/1954 Merritt, Jr.
3,059,632 A 10/1962 Rogers
D309,461 S * 7/1990 Bussan D15/89
5,793,021 A 8/1998 Walton
6,263,869 B1 * 7/2001 Abernethy F24C 15/14
126/211

1 Claim, 5 Drawing Sheets



(56)

References Cited

U.S. PATENT DOCUMENTS

6,502,570 B2 1/2003 Grady
D505,140 S * 5/2005 Reed D15/89
D506,637 S 6/2005 Tanaka
D507,450 S 7/2005 Tanaka
D511,641 S 11/2005 Kim
D512,731 S * 12/2005 Grobleben D15/89
D546,618 S 7/2007 Tanaka
D549,039 S 8/2007 Tanaka
D568,673 S 5/2008 Tanaka
D568,674 S 5/2008 Tanaka
D612,404 S * 3/2010 Picken D15/89
D613,316 S * 4/2010 Schmidt D15/89
D694,292 S * 11/2013 Eby D15/89
D697,359 S 1/2014 Meda
D704,506 S * 5/2014 Boo D7/402
D708,004 S 7/2014 Sadtler
D710,914 S * 8/2014 Park D15/89
D722,552 S 2/2015 Pifer
D733,484 S 7/2015 Roberson
D741,103 S 10/2015 Knoll
D777,224 S * 1/2017 Burke F25D 25/021
D15/89
D777,503 S 1/2017 Kim
D778,100 S 2/2017 Kim
D794,686 S * 8/2017 Kim D15/89
9,731,333 B2 * 8/2017 Fowler B08B 7/0071
D810,493 S * 2/2018 Harrell D7/346
10,184,668 B2 * 1/2019 Sanquist F24C 15/12
D843,170 S * 3/2019 Kim D7/402
10,317,129 B2 * 6/2019 Curdt F25D 25/02
D854,589 S * 7/2019 Lee D15/89
D855,352 S * 8/2019 Nilssen D6/574
10,386,114 B2 * 8/2019 Fink F25D 25/025
D862,163 S * 10/2019 Jung D7/402
2007/0295323 A1 12/2007 Delzell
2009/0085453 A1 * 4/2009 Daley A47B 96/021
312/408
2010/0132690 A1 6/2010 Siviero
2012/0091084 A1 * 4/2012 Amaral F25D 25/024
211/80
2013/0037505 A1 * 2/2013 Driver A47B 95/043
211/153

2014/0138337 A1 * 5/2014 Curdt F25D 25/02
211/186
2014/0190521 A1 * 7/2014 Fowler F24C 15/10
134/19
2015/0068511 A1 3/2015 Pawley
2015/0323198 A1 11/2015 Ratz
2016/0238307 A1 8/2016 Lee
2016/0305669 A1 * 10/2016 Sanquist A47G 23/06
2019/0271499 A1 * 9/2019 Choi F25D 23/04
2019/0293342 A1 * 9/2019 Butenhoff B65D 81/24
2019/0301791 A1 * 10/2019 Wantland F25D 23/067

FOREIGN PATENT DOCUMENTS

DE	7436803	5/1975
DE	2414993	10/1975
EP	3040625	7/2016
GB	462534	3/1937
GB	2263545	7/1993

OTHER PUBLICATIONS

https://www.amazon.com/Camco-Universal-Convert-Counter-43554/dp/B000EDSSMA/ref=sr_1_1?dchild=1&keywords=trailer+or+camper+stove+top+cover&qid=1588018164&sr=8-1#customer-Reviews.*
campingworld.com, <http://www.campingworld.com/shopping/item/slide-in-and-range-flush-mount-glass-cover/78906>, website created Feb. 22, 2015.
dometic.com, <http://www.dometic.com/USA/New-Products/New-RV-Products/Bi-Fold-Glass-Cooktop-Cover/>, website created Jan. 1, 2015.
camco.net, [http://www.camco.net/assets/catalog/Camco RV Catalog 2014.pdf](http://www.camco.net/assets/catalog/Camco%20RV%20Catalog%202014.pdf), website created Nov. 19, 2015.
campingworld.com, <http://www.campingworld.com/shopping/item/bi-fold-cover-black/78861>, website created Nov. 19, 2015.
Transmittal Letter of Related Cases.
United States Patent and Trademark Office, Restriction Requirement in parent case Design U.S. Appl. No. 29/555,895 dated Apr. 6, 2017.
United States Patent and Trademark Office, Notice of Allowance in parent case Design U.S. Appl. No. 29/555,895 dated Oct. 11, 2017.

* cited by examiner

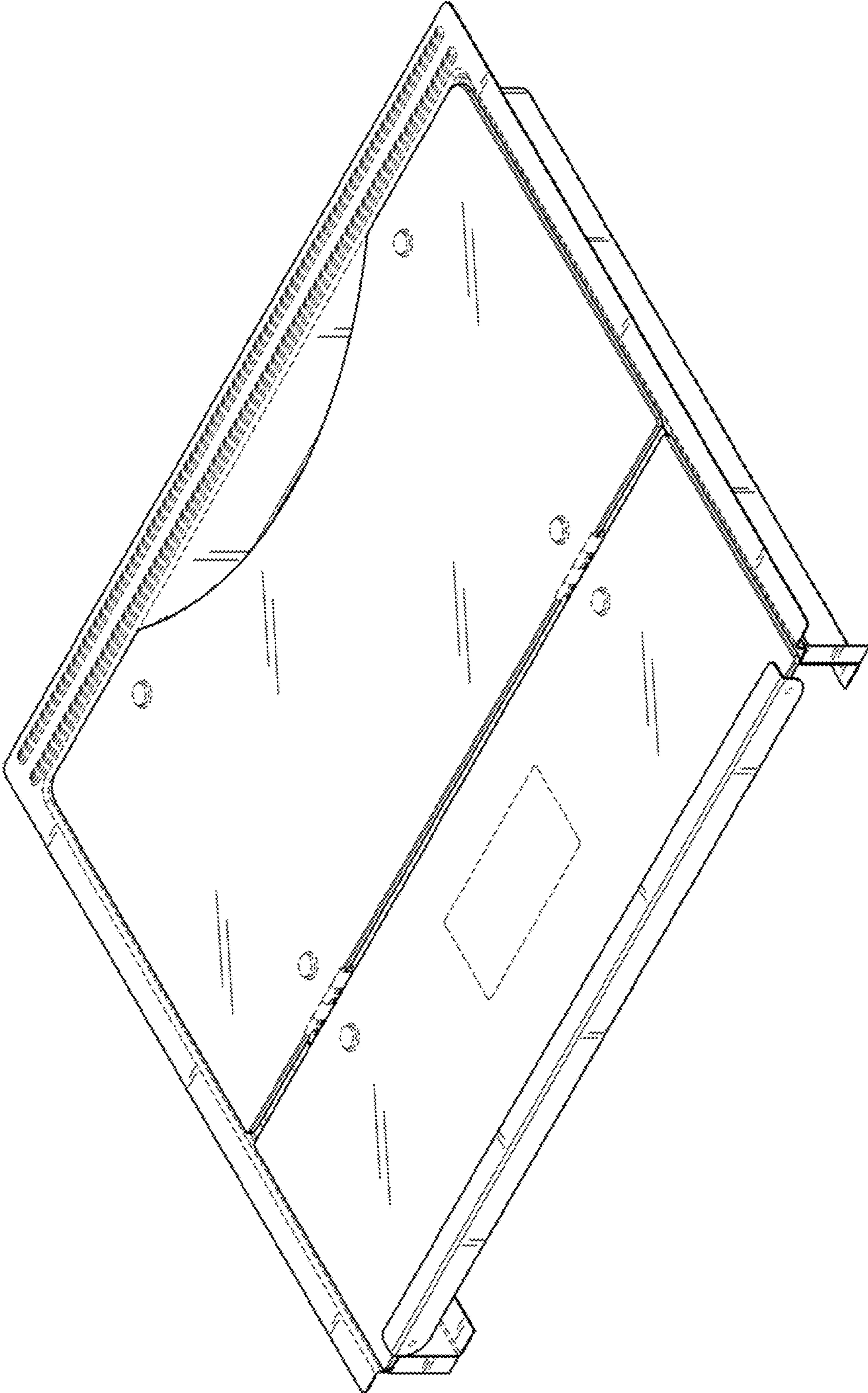


FIG. 1

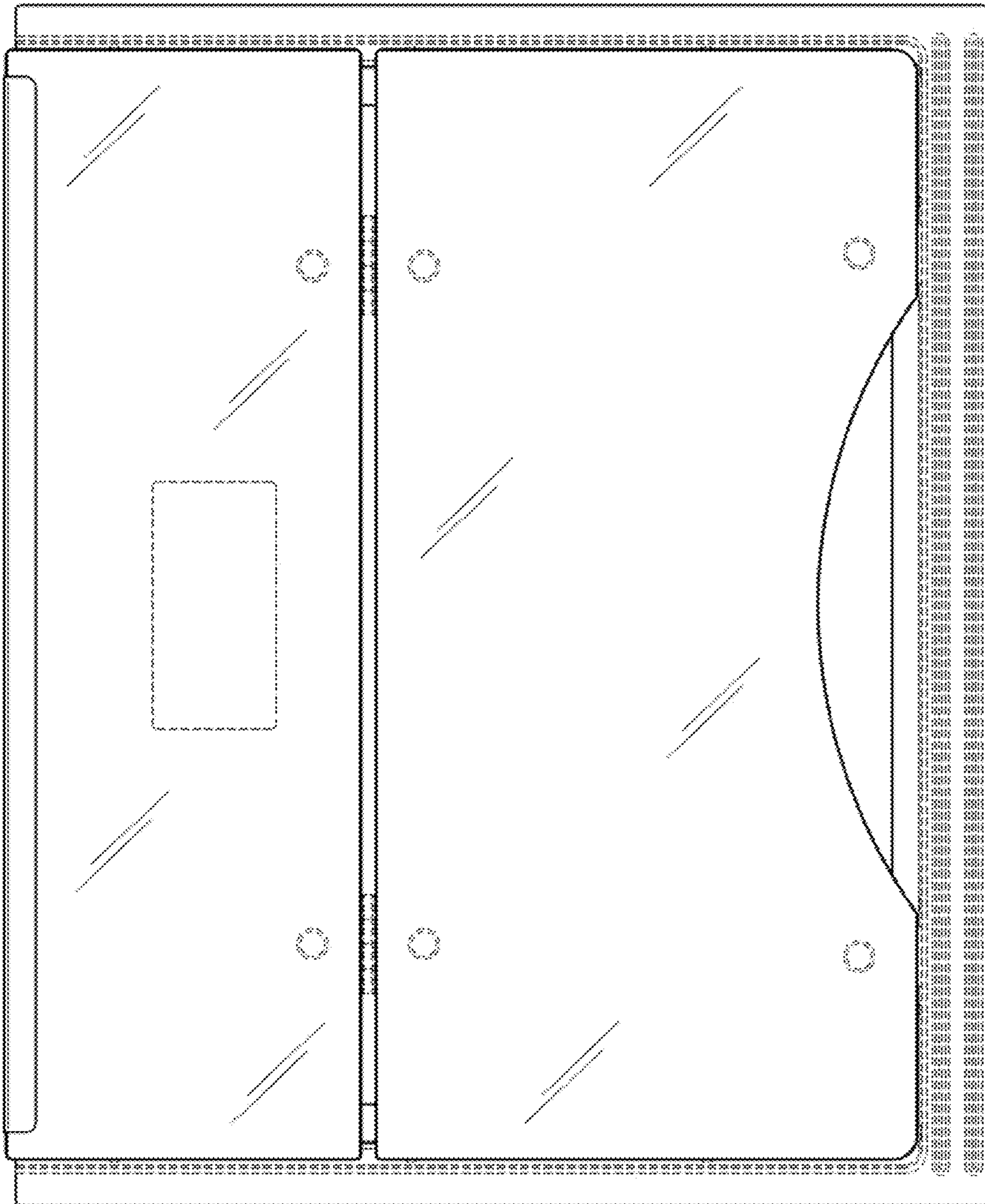


FIG. 2

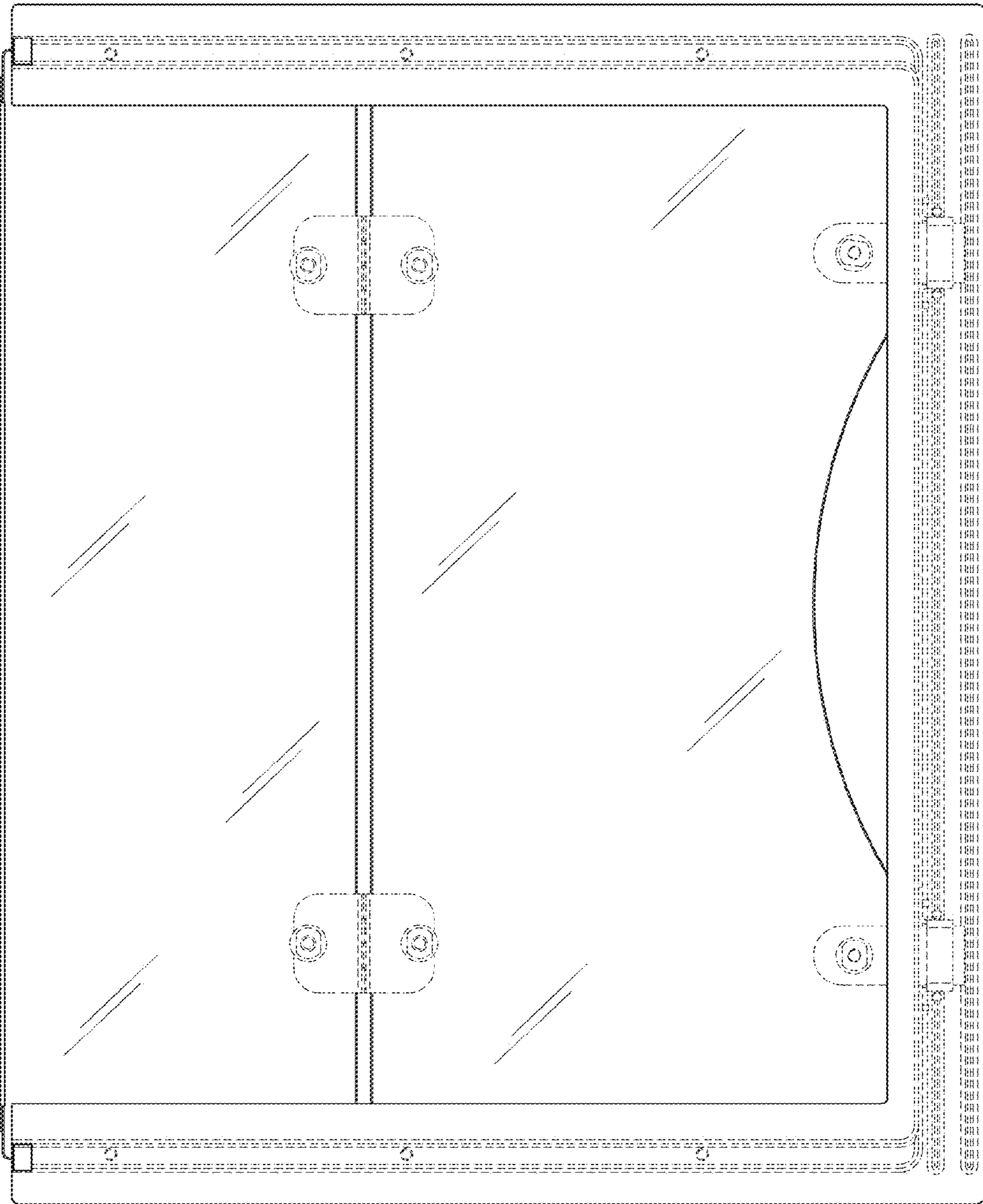


FIG. 3

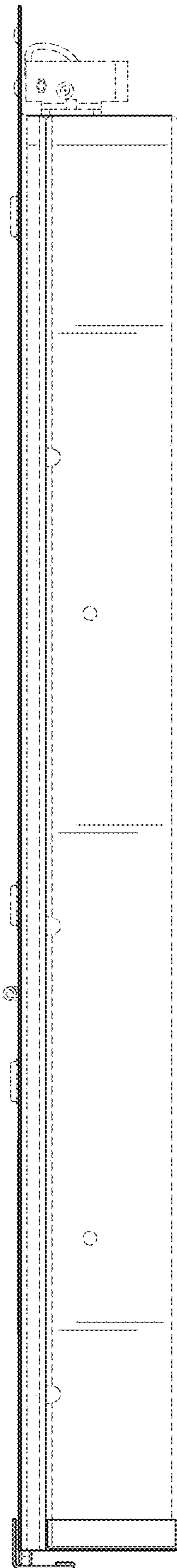


FIG. 4

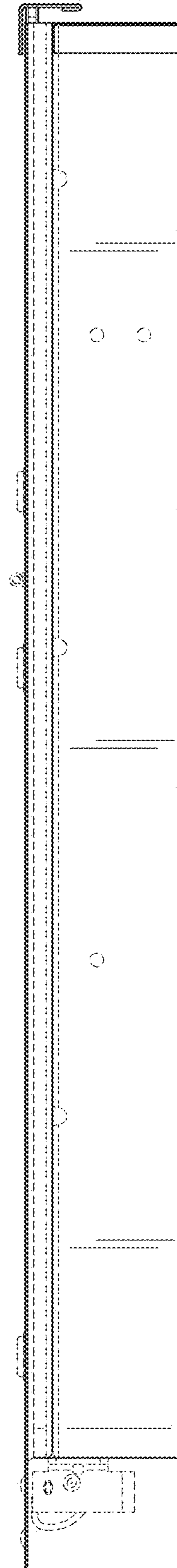


FIG. 5

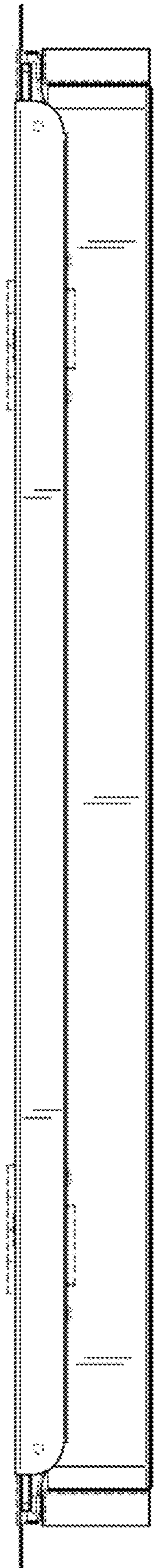


FIG. 6

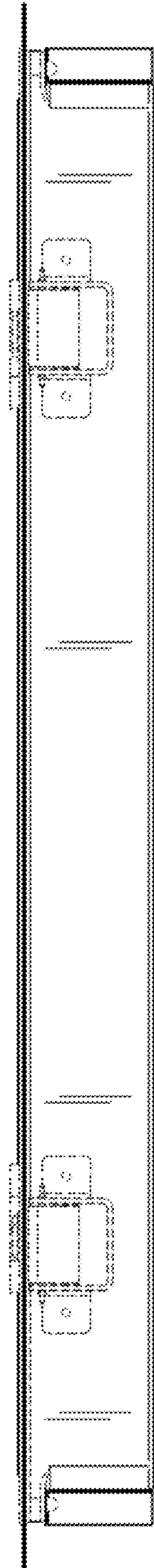


FIG. 7