



US00D897767S

(12) **United States Design Patent** (10) **Patent No.:** **US D897,767 S**
Pisarevsky (45) **Date of Patent:** **** Oct. 6, 2020**

(54) **COMBINATION PORTABLE POUR OVER COFFEE MAKER AND INSULATED BEVERAGE CONTAINER**

(71) Applicant: **Arie Pisarevsky**, Montreal (CA)

(72) Inventor: **Arie Pisarevsky**, Montreal (CA)

(**) Term: **15 Years**

(21) Appl. No.: **29/633,864**

(22) Filed: **Jan. 16, 2018**

(51) **LOC (12) Cl.** **07-99**

(52) **U.S. Cl.**
USPC **D7/400**

(58) **Field of Classification Search**
USPC D3/304; D7/507, 397, 399, 400, 401, D7/602, 629, 667, 306, 300, 505, 510, D7/511, 316-319; D9/435, 436, 537
CPC .. A47J 47/00; A47J 31/44; A47J 31/02; A47J 31/16; A47J 31/005; A47J 31/0615; A47J 31/18; A47J 31/20; B65B 39/00; B65B 39/02

See application file for complete search history.

(56) **References Cited**

U.S. PATENT DOCUMENTS

D409,051 S * 5/1999 Huang D7/598
D524,599 S * 7/2006 Bodum D7/400
D585,233 S * 1/2009 Bodum D7/317
D611,754 S * 3/2010 Bodum D7/310
D640,084 S * 6/2011 Sheppard D7/316
D661,939 S * 6/2012 Kern D7/316
D751,331 S * 3/2016 Rashid D7/316

D786,605 S * 5/2017 Bodum D7/316
D790,915 S * 7/2017 Yeh D7/400
D791,535 S * 7/2017 Yeh D7/400
D803,620 S * 11/2017 Yeh D7/400
D829,481 S * 10/2018 Bodum D7/318
D830,758 S * 10/2018 Bodum D7/316
D834,886 S * 12/2018 Gross D7/400
D847,564 S * 5/2019 Best D7/400
D854,869 S * 7/2019 Pisarevsky D7/316
D864,645 S * 10/2019 Perez D7/316
2013/0301378 A1* 11/2013 Junker B01F 7/00583 366/241

* cited by examiner

Primary Examiner — Susan E Krakower

Assistant Examiner — Andrew Kerr

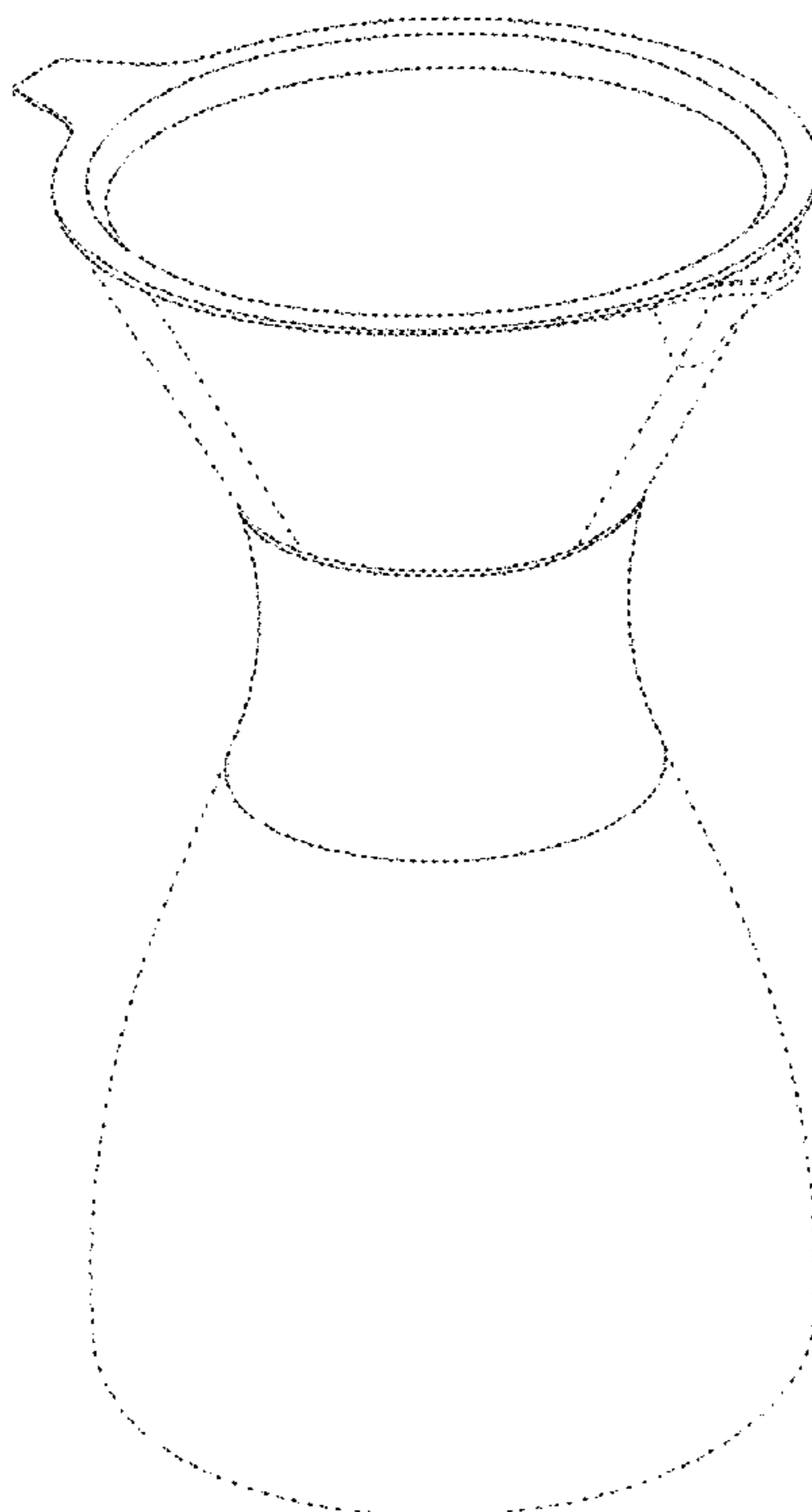
(57) **CLAIM**

The ornamental design for a combination portable pour-over coffee maker and insulated beverage container, as shown and described.

DESCRIPTION

FIG. 1 is a right side perspective view of a combination portable pour-over coffee maker and insulated beverage container showing my new design;
FIG. 2 is a left side bottom perspective view thereof,
FIG. 3 is a right side view thereof;
FIG. 4 is a front view thereof,
FIG. 5 is a top view of thereof;
FIG. 6 is a bottom view thereof; and,
FIG. 7 is an exploded right side view thereof.
The broken lines in the drawings depict portions of the combination portable pour over coffee maker and insulated beverage container that form no part of the claimed design.

1 Claim, 7 Drawing Sheets



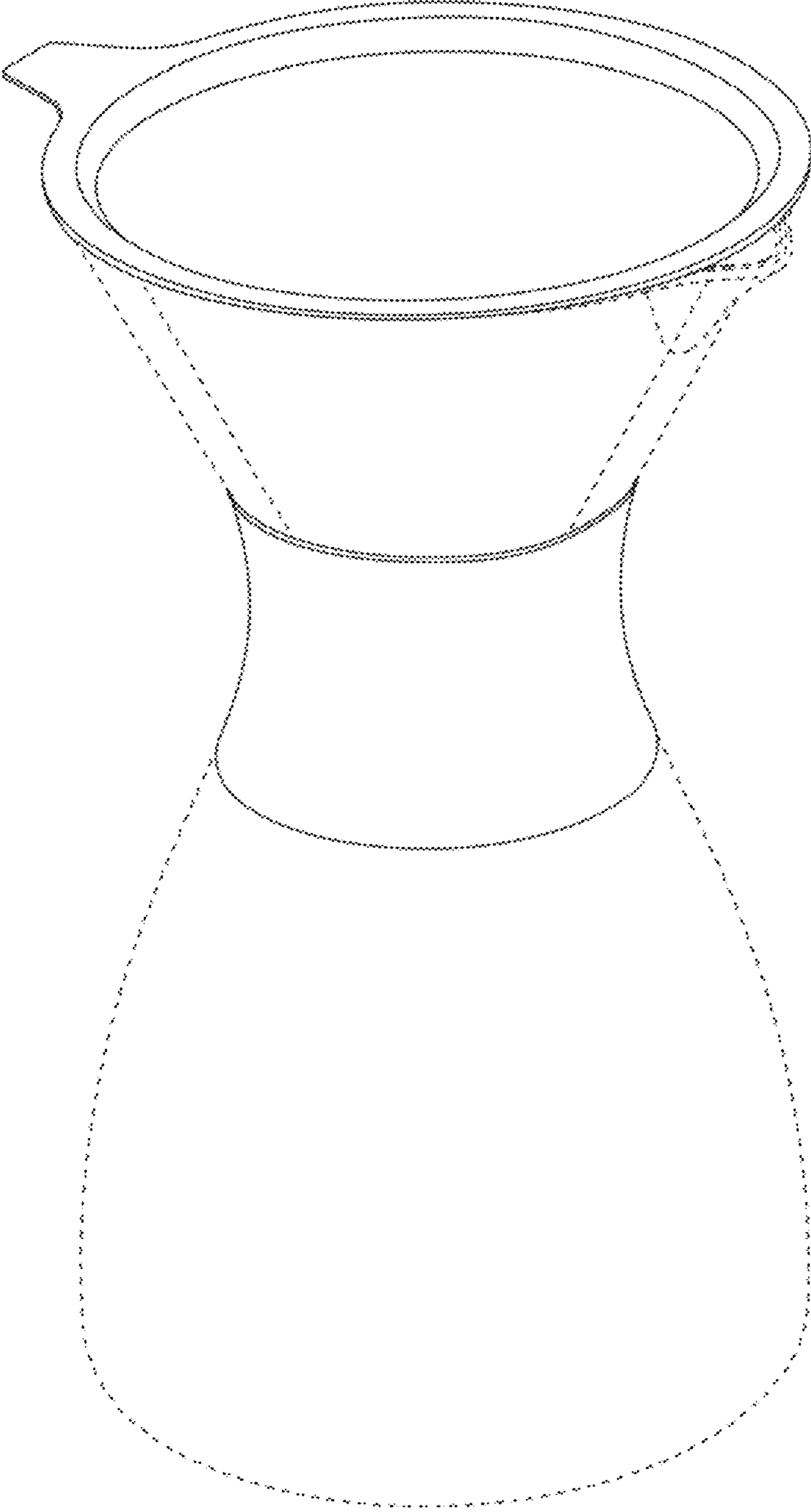


Fig.1

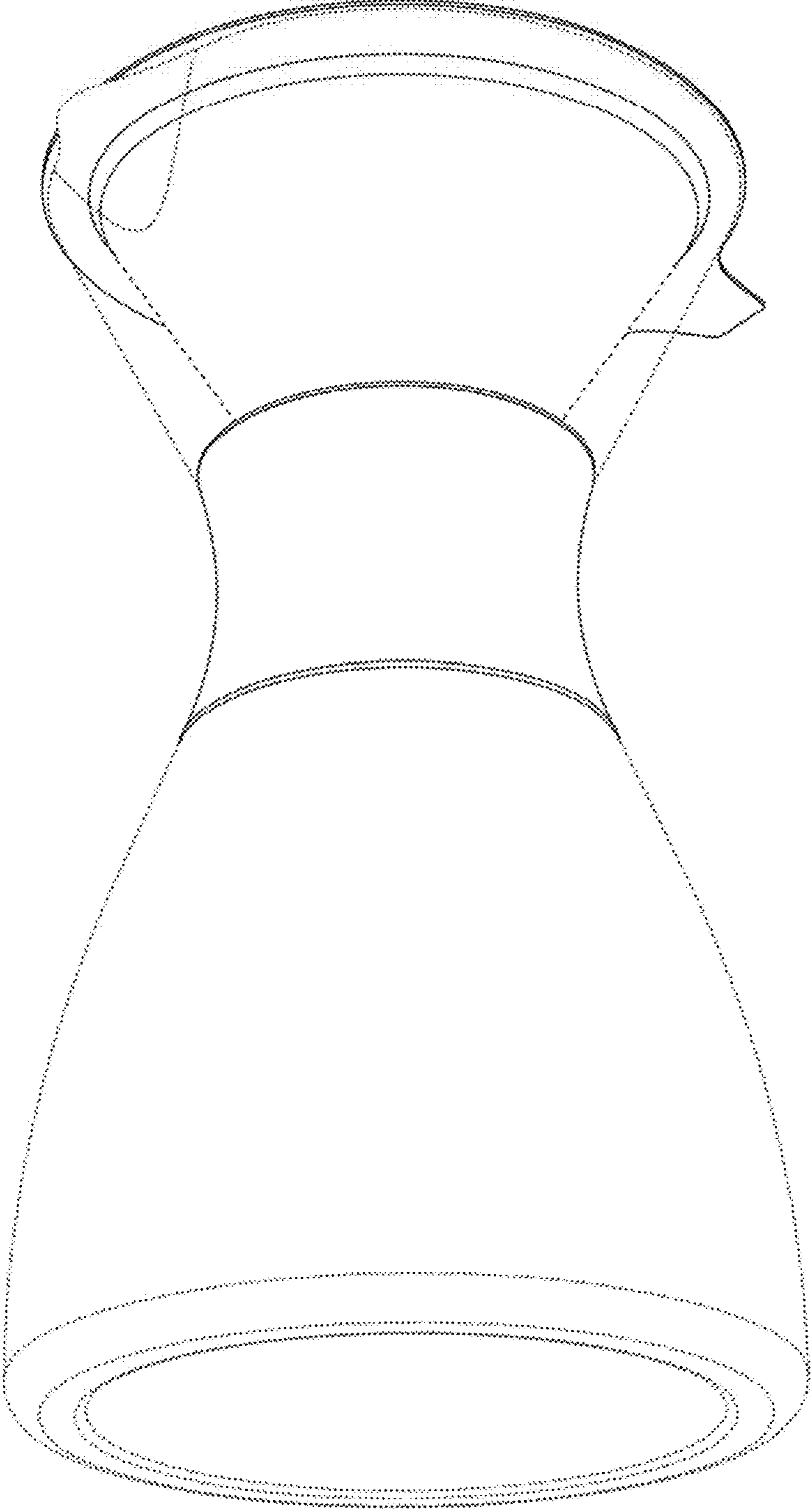


Fig.2

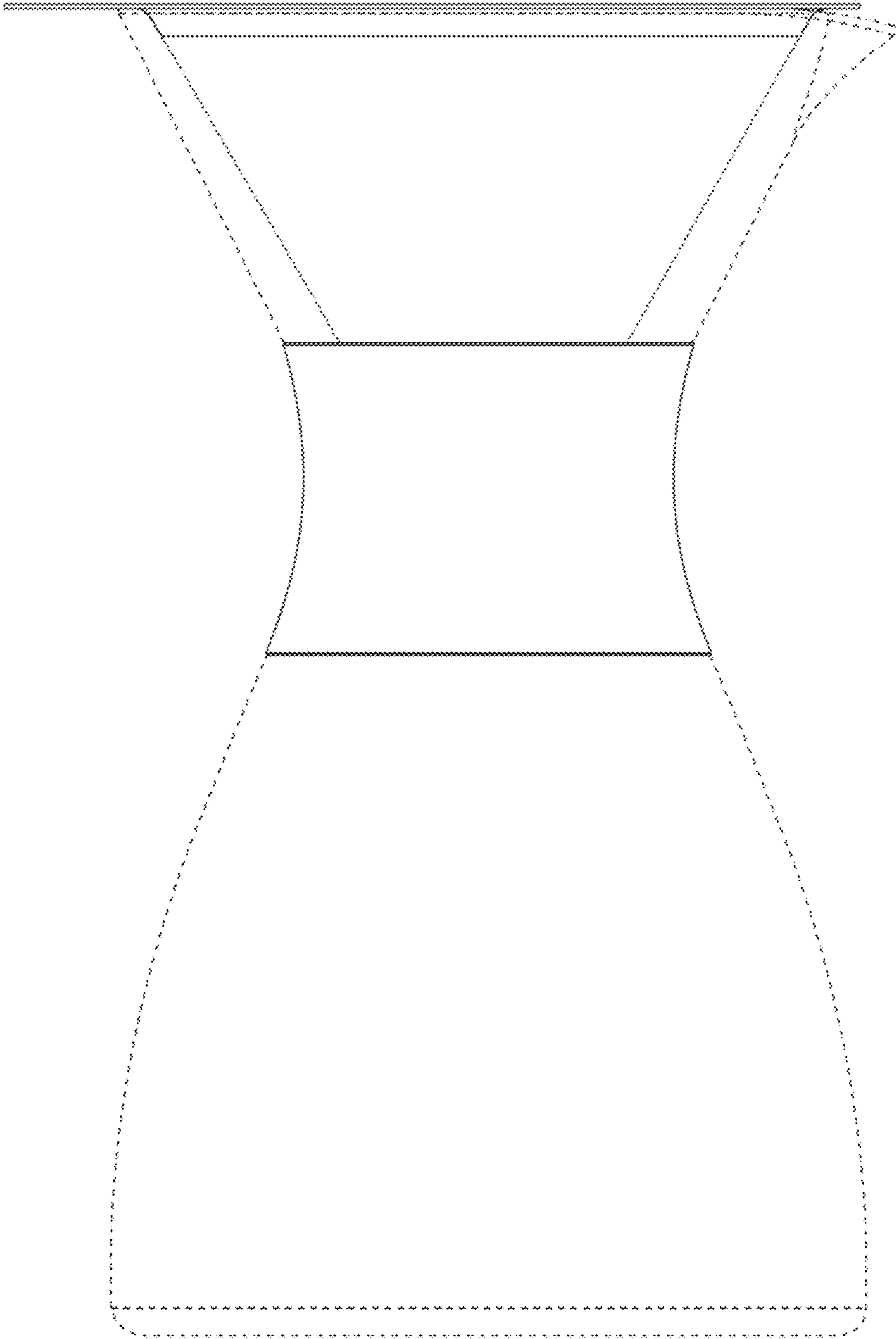


Fig.3

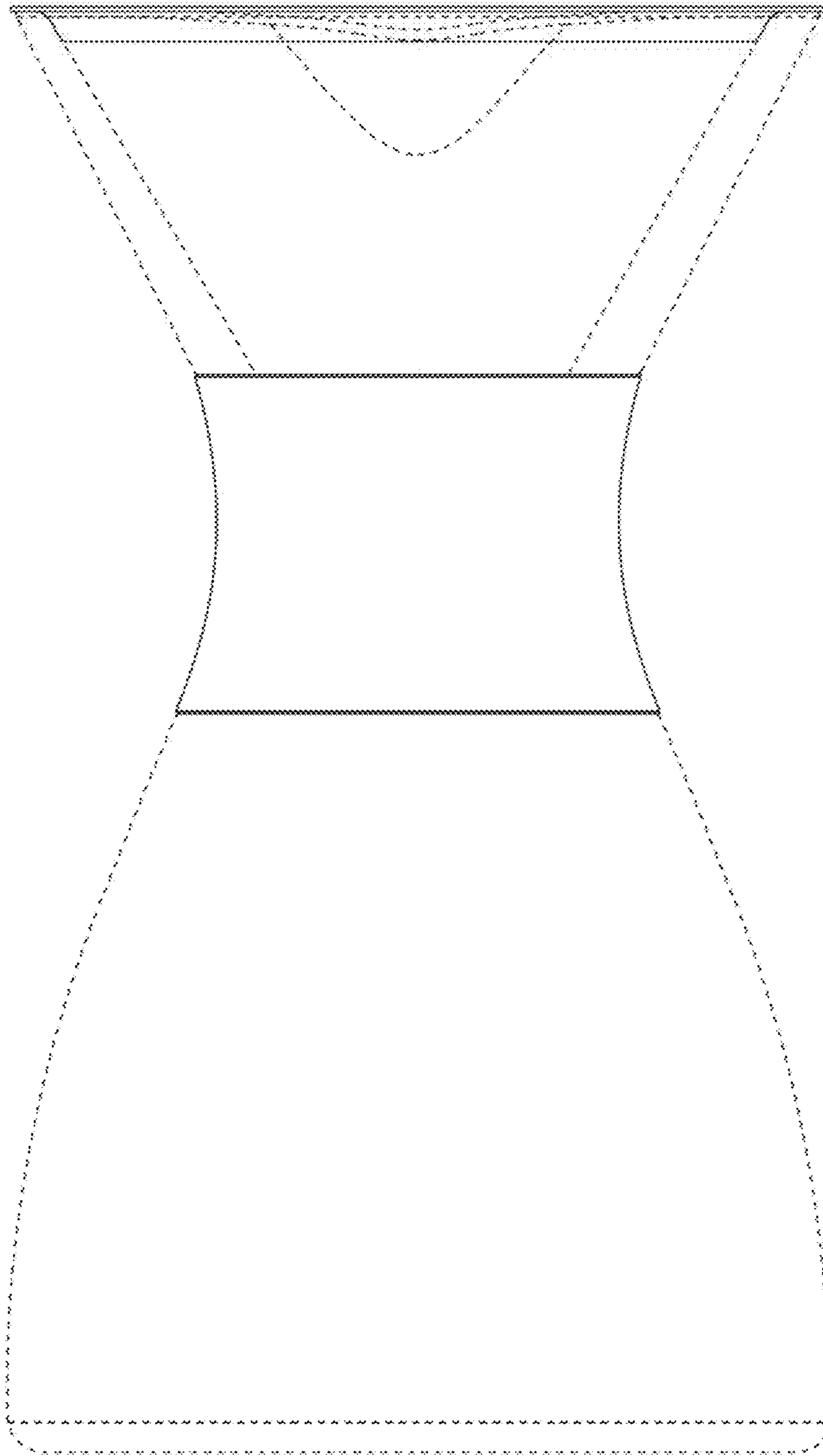


Fig.4

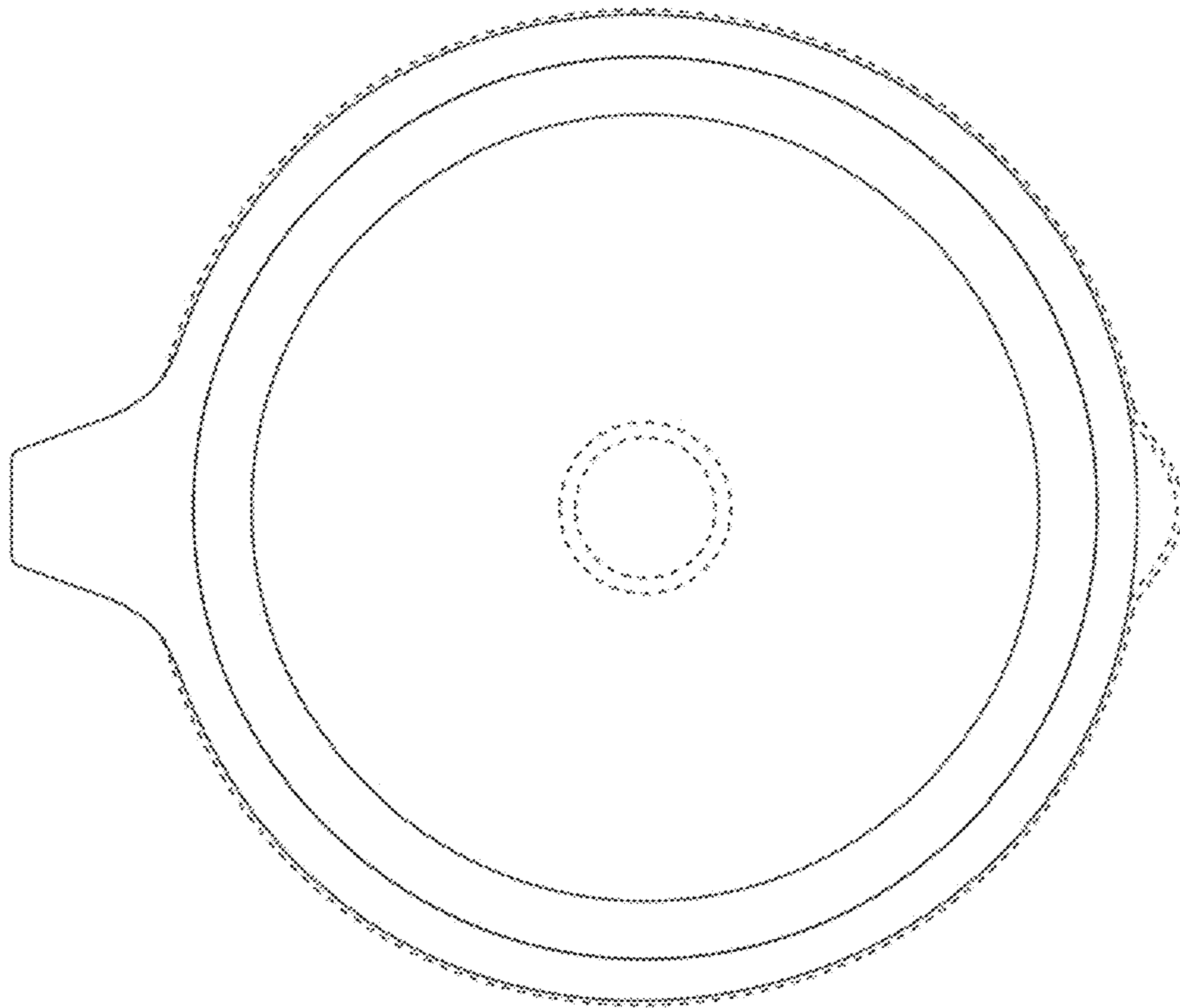


Fig.5

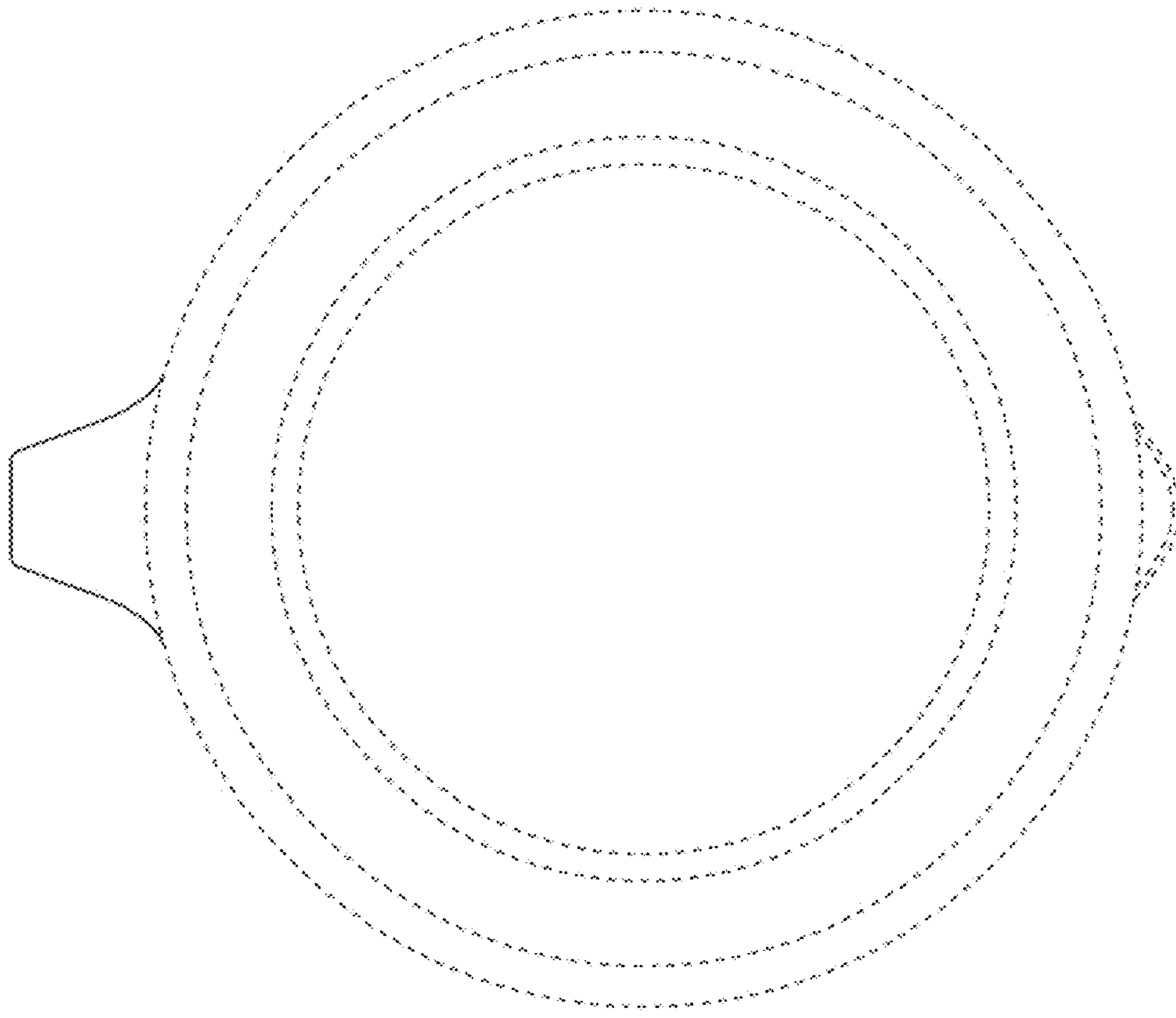


Fig.6

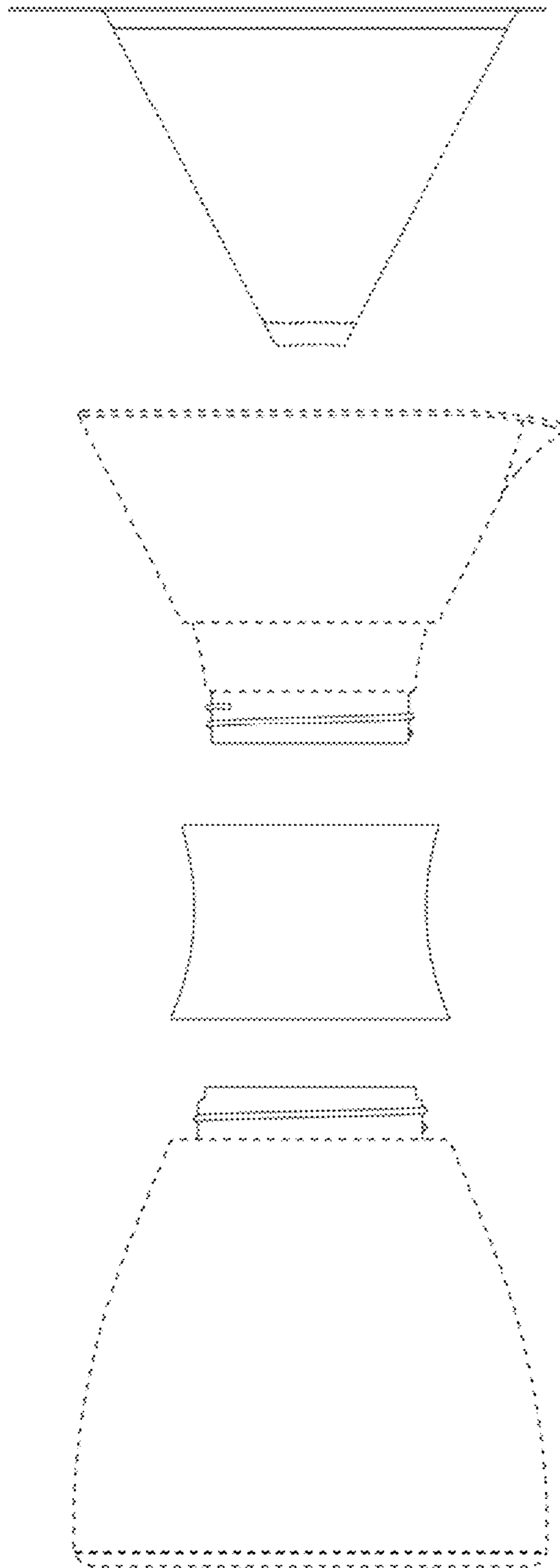


Fig.7