



US00D897765S

(12) **United States Design Patent**  
**Nabeiro**

(10) **Patent No.:** **US D897,765 S**

(45) **Date of Patent:** **\*\* Oct. 6, 2020**

(54) **COFFEE DISPENSER WITH AN ENCLOSED BREWING UNIT FOR COFFEE CAPSULES**

(71) Applicant: **NOVADELTA — COMÉRCIO E INDÚSTRIA DE CAFÉS, LDA,**  
Lisbon (PT)

(72) Inventor: **Rui Miguel Nabeiro,** Campo Maior (PT)

(73) Assignee: **NOVADELTA — COMÉRCIO E INDÚSTRIA DE CAFÉS, LDA,**  
Lisbon (PT)

(\*\*) Term: **15 Years**

(21) Appl. No.: **29/669,580**

(22) Filed: **Nov. 9, 2018**

(30) **Foreign Application Priority Data**

Sep. 3, 2018 (EM) ..... 005626819-0001

(51) **LOC (12) Cl.** ..... **07-99**

(52) **U.S. Cl.**  
USPC ..... **D7/399; D7/397**

(58) **Field of Classification Search**  
USPC ..... D7/399, 400, 300, 309, 310, 667, 700,  
D7/397; 99/300; D9/429; D23/207, 209  
CPC ..... A47J 31/02; A47J 31/08; A47J 31/005;  
A47J 31/061; A47J 31/407; C02F 1/002  
See application file for complete search history.

(56) **References Cited**

U.S. PATENT DOCUMENTS

D230,629 S \* 3/1974 Camp et al. .... D7/414  
5,637,214 A \* 6/1997 Kahana ..... A47J 31/605  
210/282  
D555,439 S \* 11/2007 Fletcher ..... D15/150  
D781,646 S \* 3/2017 Roth ..... D7/387

\* cited by examiner

*Primary Examiner* — Marianne N Pandozzi

(74) *Attorney, Agent, or Firm* — Sughrue Mion, PLLC

(57) **CLAIM**

The ornamental design for a coffee dispenser with an enclosed brewing unit for coffee capsules, as shown and described.

**DESCRIPTION**

FIG. 1 is a right hand elevation view of the coffee dispenser with an enclosed brewing unit for coffee capsules that comprises my invention;

FIG. 2 is a left hand elevation view thereof;

FIG. 3 is a top view thereof;

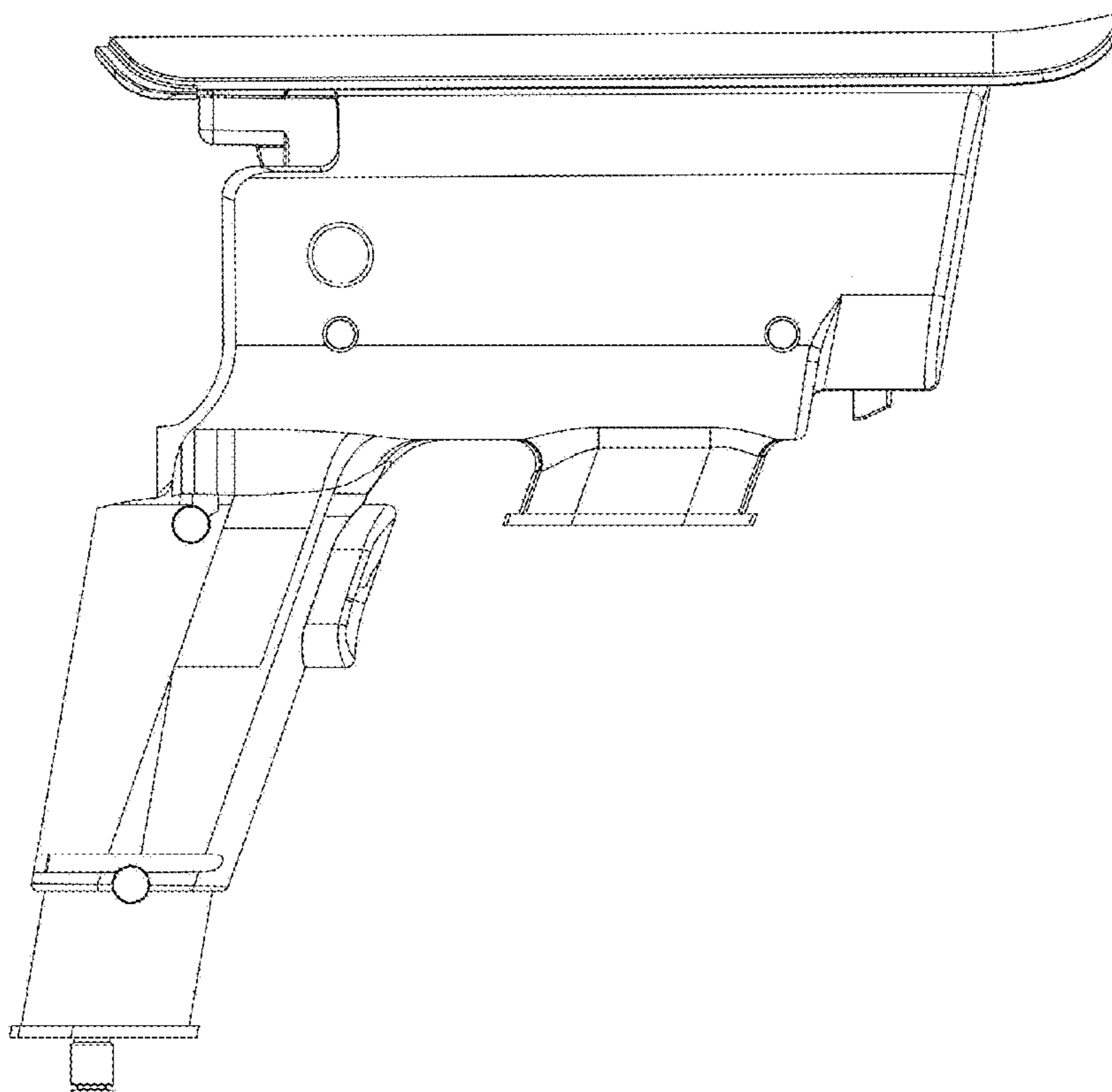
FIG. 4 is a front view thereof;

FIG. 5 is a rear view thereof; and,

FIG. 6 is a front perspective view thereof.

The broken lines depict environmental subject matter only and form no part of the claimed design.

**1 Claim, 6 Drawing Sheets**



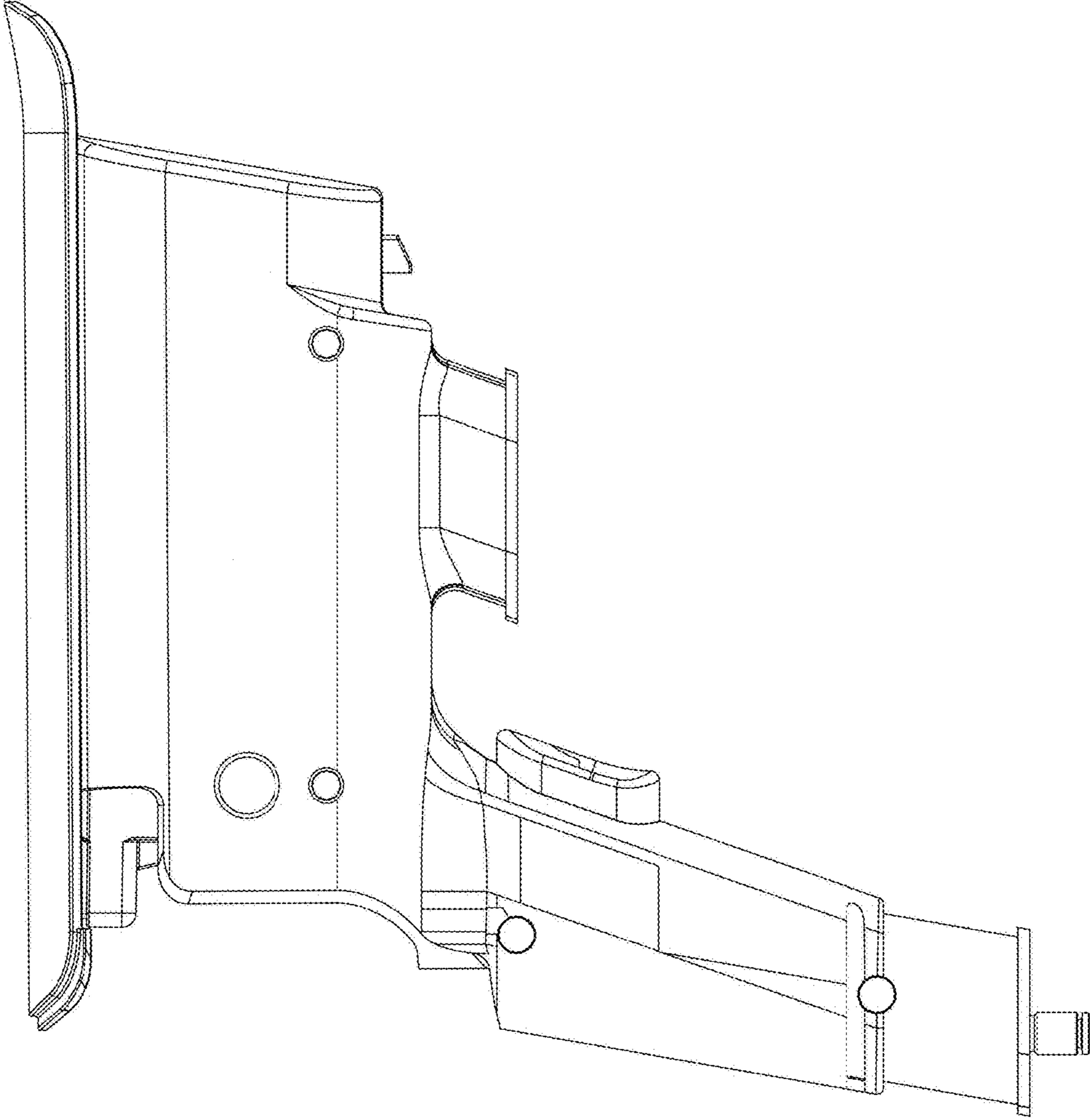


FIG. 1

FIG. 2

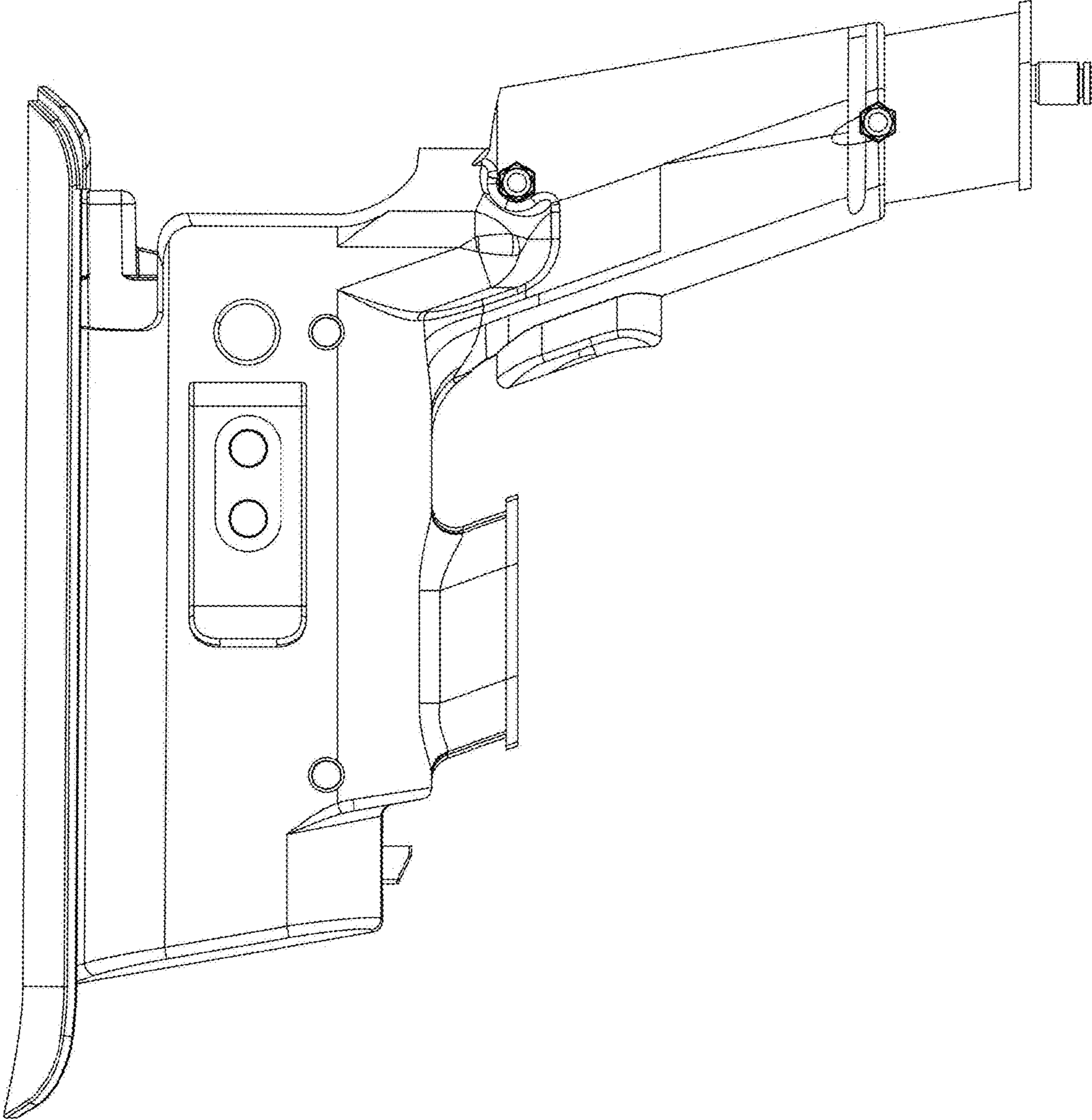


FIG. 3

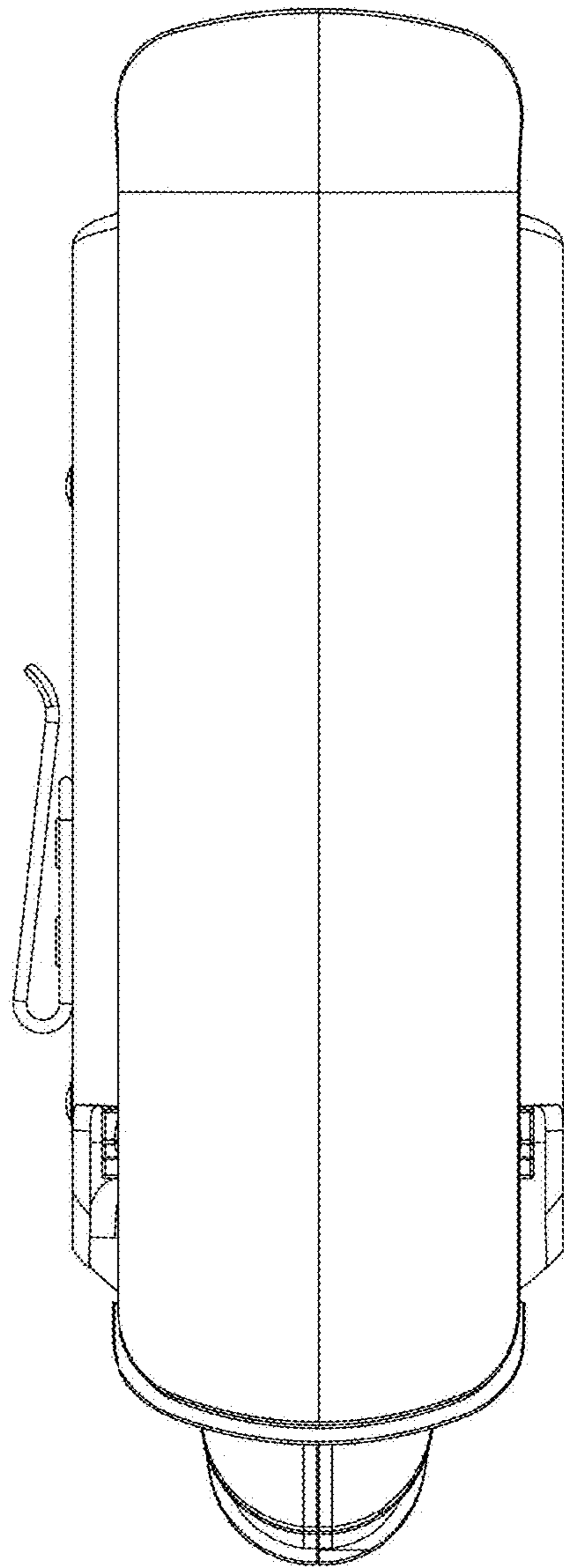


FIG. 4

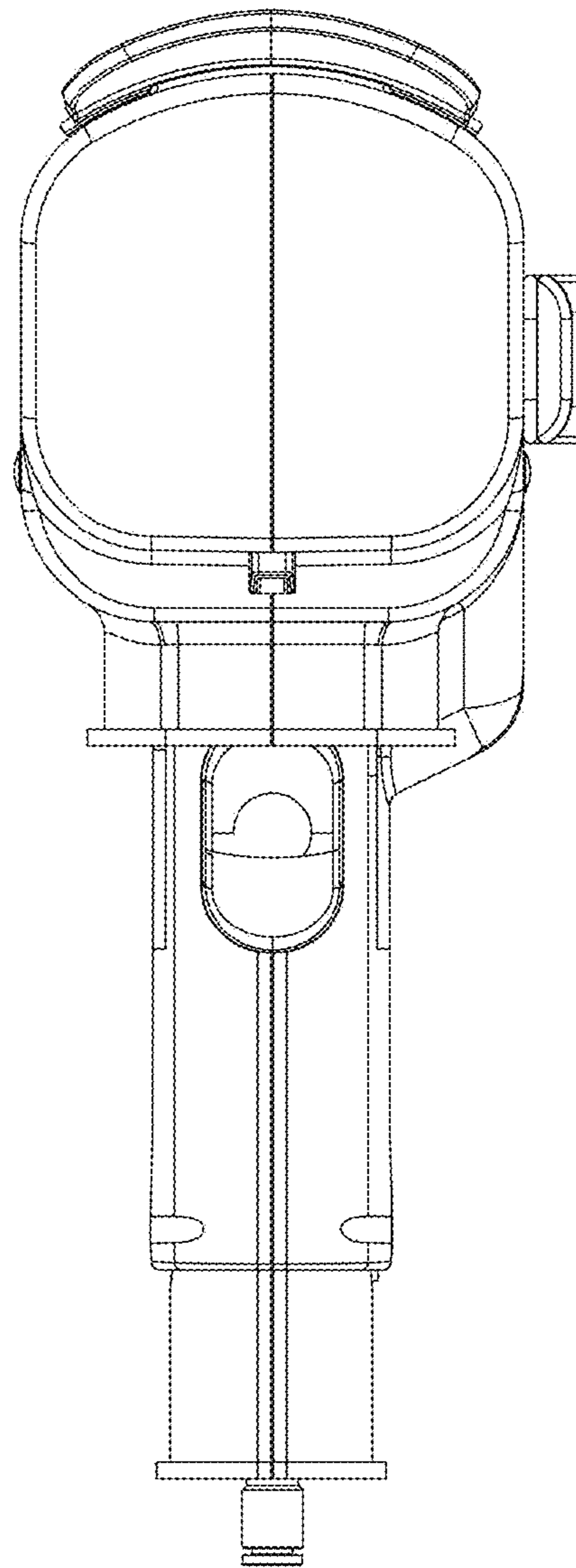


FIG. 5

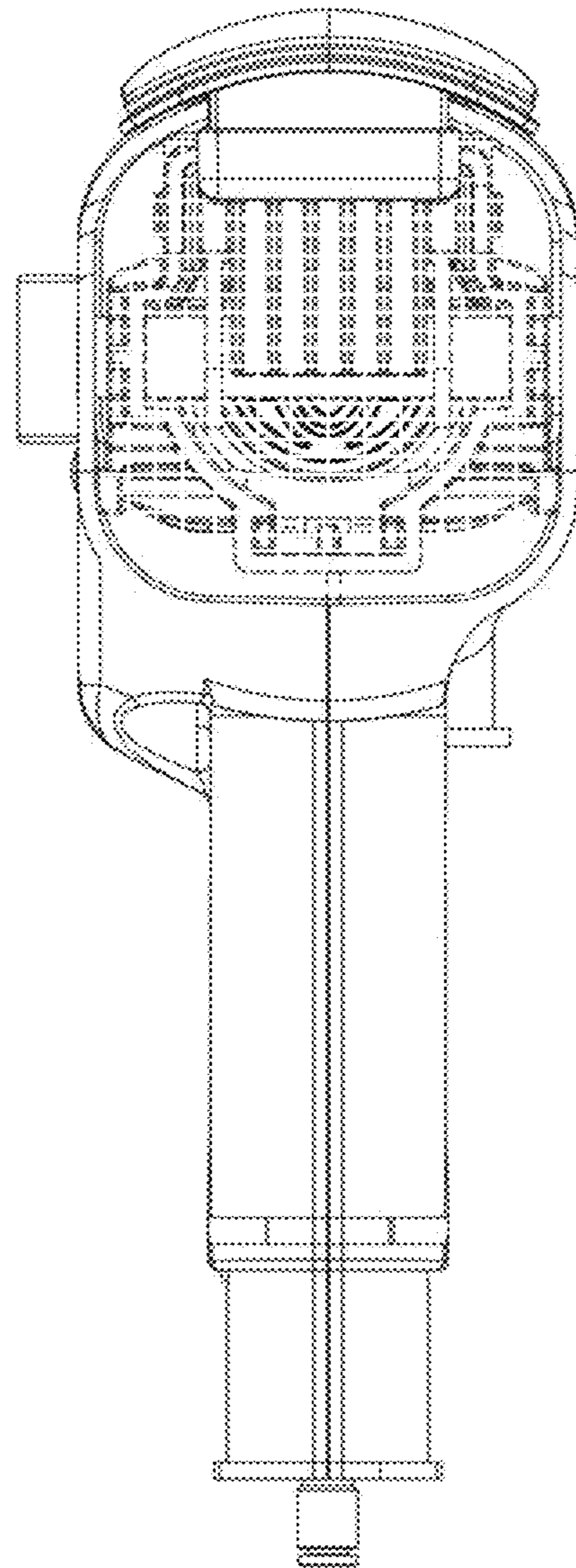


FIG. 6

