



US00D897763S

(12) **United States Design Patent**  
**Feng**

(10) **Patent No.:** **US D897,763 S**

(45) **Date of Patent:** **\*\* Oct. 6, 2020**

(54) **LID**

(71) Applicant: **Shenzhen Humboldt Technology Co., Ltd, Shenzhen (CN)**

(72) Inventor: **Jianwei Feng, Guangdong (CN)**

(\*\*) Term: **15 Years**

(21) Appl. No.: **29/733,139**

(22) Filed: **Apr. 29, 2020**

**Related U.S. Application Data**

(62) Division of application No. 29/724,875, filed on Feb. 20, 2020.

(51) **LOC (12) Cl.** ..... **07-99**

(52) **U.S. Cl.**

USPC ..... **D7/392.1; D7/396.2; D9/443; D9/453**

(58) **Field of Classification Search**

USPC ..... D9/434, 435, 438-441, 443-454, 499, D9/503-505, 682, 685, 686; D7/300.1, D7/387, 391, 392, 392.1, 393, 394, 396.1, D7/396.2, 506, 507, 510, 511, 533, 534, D7/900; D3/202, 203.2, 294, 318; D28/91, 91.1

CPC .. A61J 1/00; A61J 1/1412; B65D 1/00; B65D 1/02; B65D 1/10; B65D 1/46; B65D 5/46; B65D 41/00; B65D 41/38; B65D 41/56; B65D 41/62; B65D 47/00; B65D 47/06; B65D 47/08; B65D 2251/00; B65D 2543/00046; B65D 2543/00092; B65D 2543/00296

See application file for complete search history.

(56) **References Cited**

**U.S. PATENT DOCUMENTS**

D233,641 S \* 11/1974 Roche ..... D7/608  
D288,667 S \* 3/1987 Miner ..... D9/453

D332,379 S \* 1/1993 Murphy ..... D9/443  
D345,673 S \* 4/1994 Dark ..... D7/392.1  
D361,469 S \* 8/1995 Young ..... D7/392.1  
D363,852 S \* 11/1995 Young ..... D7/392.1  
D479,800 S \* 9/2003 McRae ..... D9/443  
D524,909 S \* 7/2006 Bakke ..... D23/233  
D543,776 S \* 6/2007 Yelland ..... D7/392.1  
D568,740 S \* 5/2008 Williams ..... D9/443  
D608,195 S \* 1/2010 Germann ..... D9/453  
D672,238 S \* 12/2012 Aziz ..... D9/443  
D674,277 S \* 1/2013 Hanson ..... D9/453  
D700,012 S \* 2/2014 Hurley ..... D7/392.1  
D714,146 S \* 9/2014 King ..... D9/453  
D719,780 S \* 12/2014 Sullivan ..... D7/392.1  
D779,323 S \* 2/2017 Masrouf ..... D9/443  
D780,516 S \* 3/2017 Cornelius ..... D7/510  
D787,886 S \* 5/2017 Cerasani ..... D7/300.1  
D794,386 S \* 8/2017 Steel ..... D7/396.2  
D795,008 S \* 8/2017 Eyal ..... D7/392.1  
D802,993 S \* 11/2017 Joseph ..... D7/392.1

(Continued)

*Primary Examiner* — Michael A. Pratt

*Assistant Examiner* — Wendy L Arminio

(74) *Attorney, Agent, or Firm* — ZANIP

(57) **CLAIM**

The ornamental design for a lid, as shown and described.

**DESCRIPTION**

FIG. 1 is a front and bottom perspective view of a lid, showing my new design;

FIG. 2 is a rear and top perspective view thereof;

FIG. 3 is a front elevational view thereof;

FIG. 4 is a rear elevational view thereof;

FIG. 5 is a left side elevational view thereof;

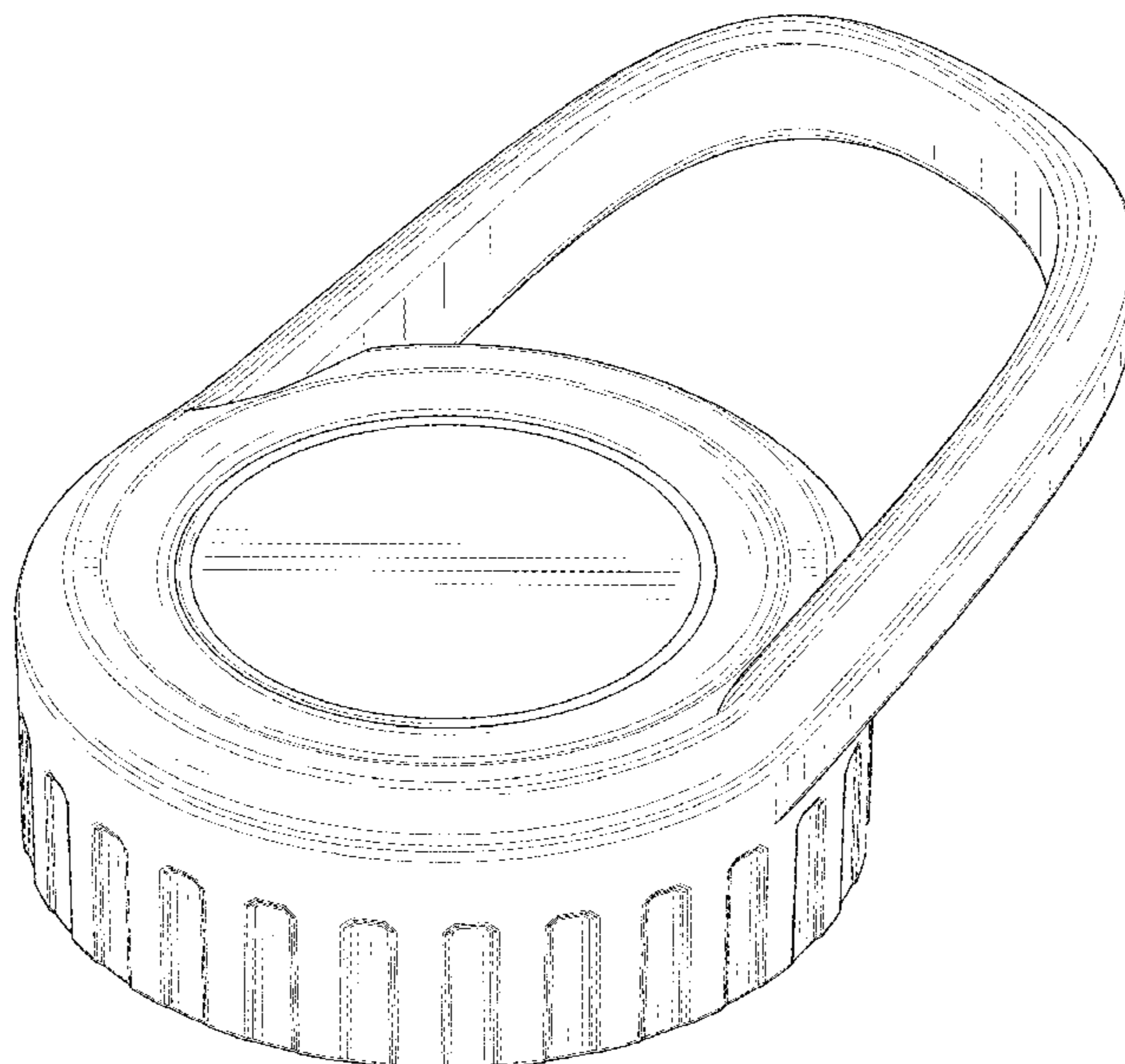
FIG. 6 is a right side elevational view thereof;

FIG. 7 is a top plan view thereof; and,

FIG. 8 is a bottom plan view thereof.

The broken lines in the figures illustrate portions of the lid that form no part of the claimed design.

**1 Claim, 8 Drawing Sheets**



(56)

**References Cited**

U.S. PATENT DOCUMENTS

D808,713	S *	1/2018	Rane .....	D7/396.2
D809,924	S *	2/2018	Miros .....	D9/443
D814,855	S *	4/2018	Hammer .....	D7/392.1
D816,398	S *	5/2018	Fleischhut .....	D7/392.1
D816,493	S	5/2018	Seiders et al.	
D817,084	S *	5/2018	Hammer .....	D7/392.1
D831,433	S *	10/2018	Fleischhut .....	D9/443
D837,589	S *	1/2019	Dalton .....	D7/391
D851,983	S *	6/2019	Vazin .....	D7/391
D862,156	S *	10/2019	Meyers .....	D7/392.1
D868,533	S *	12/2019	Han .....	D7/392.1
D869,229	S *	12/2019	Hao .....	D7/392.1
D871,833	S *	1/2020	Farsai .....	B65D 47/066 D7/392.1
D878,855	S *	3/2020	Nucci .....	D9/452
D884,419	S *	5/2020	Backs .....	D7/396.2
2014/0353275	A1 *	12/2014	Hung .....	B65D 47/305 215/311
2020/0156020	A1 *	5/2020	Waggoner .....	B01F 5/0491

\* cited by examiner

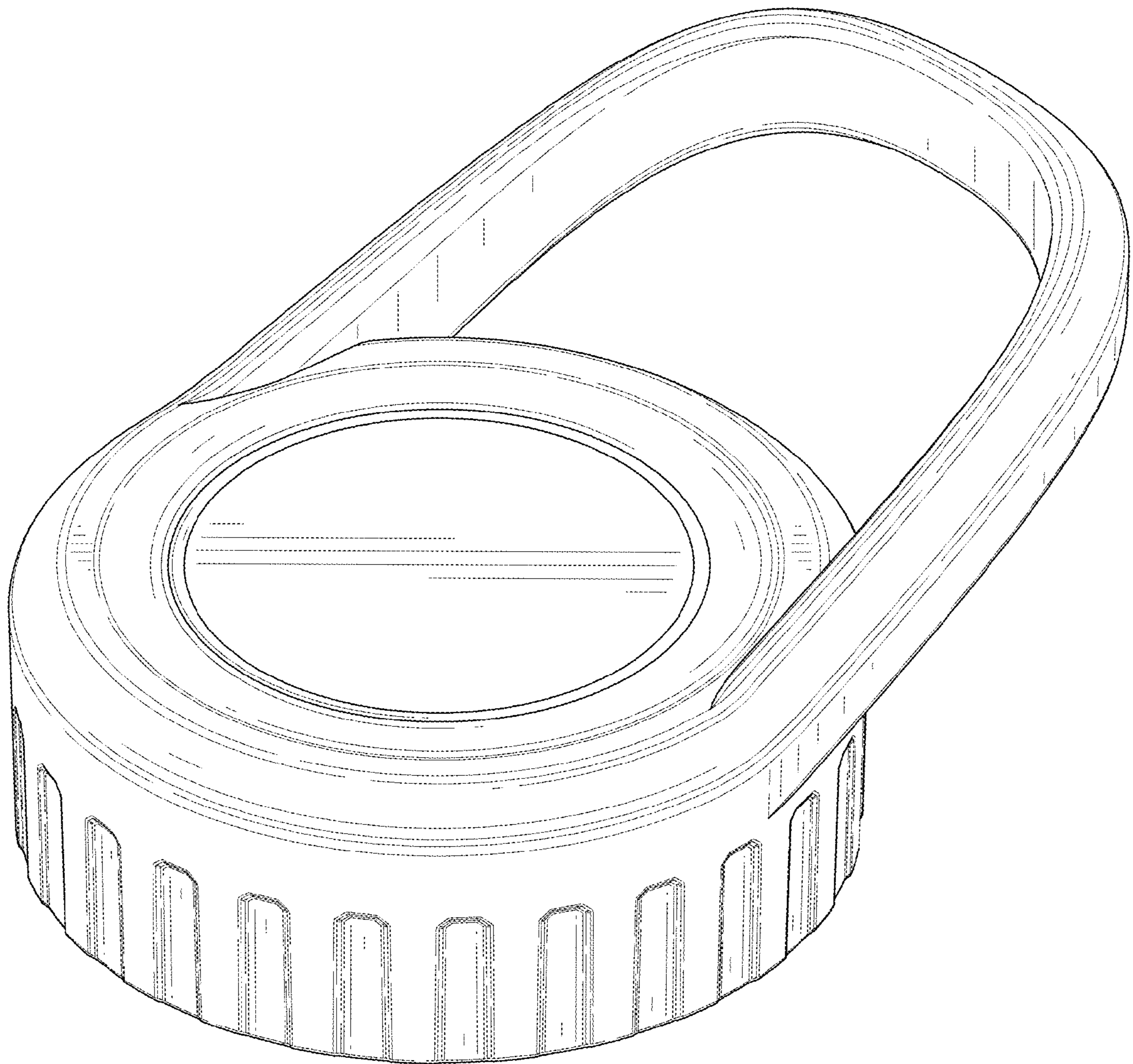


FIG. 1



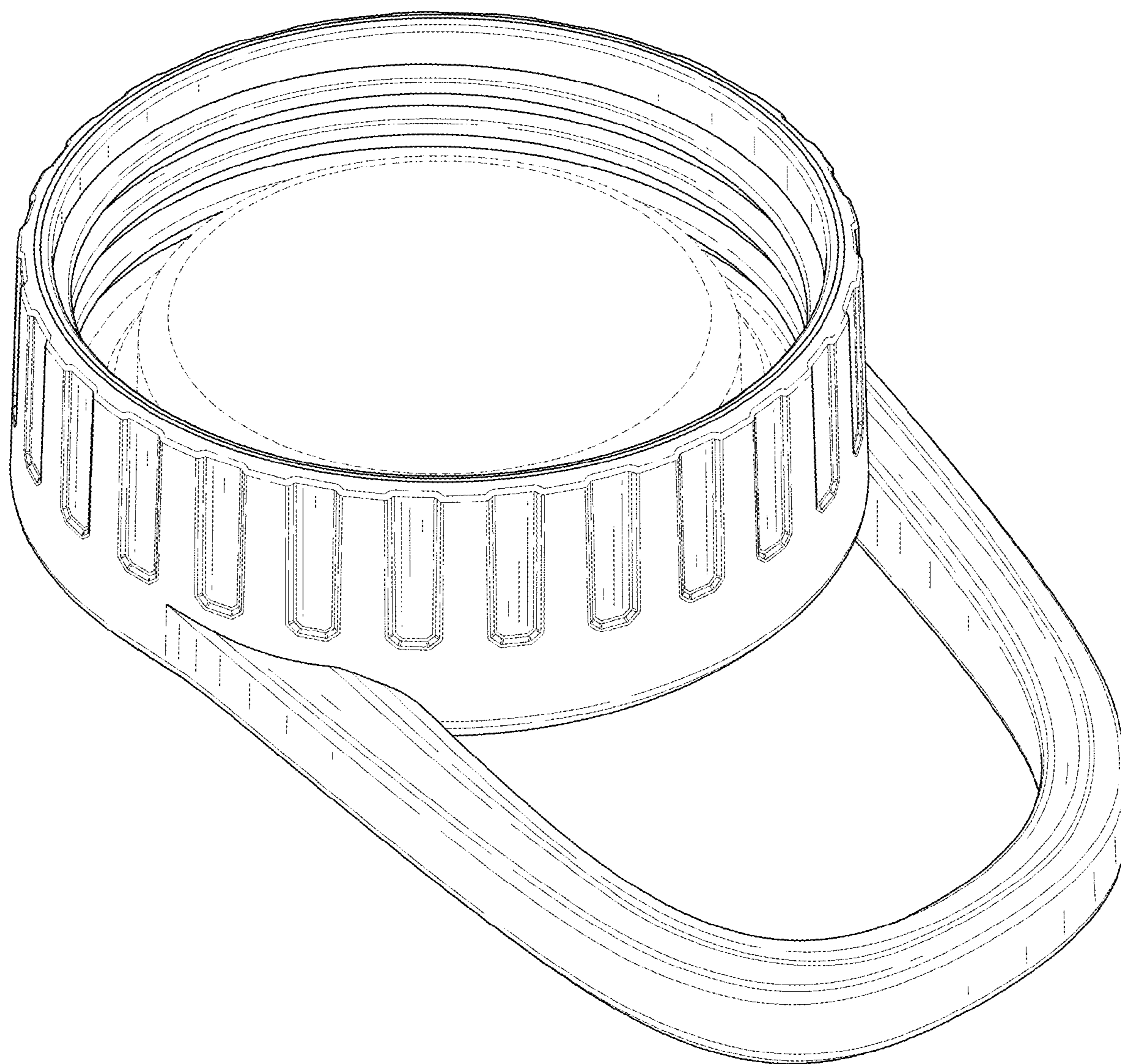


FIG. 2

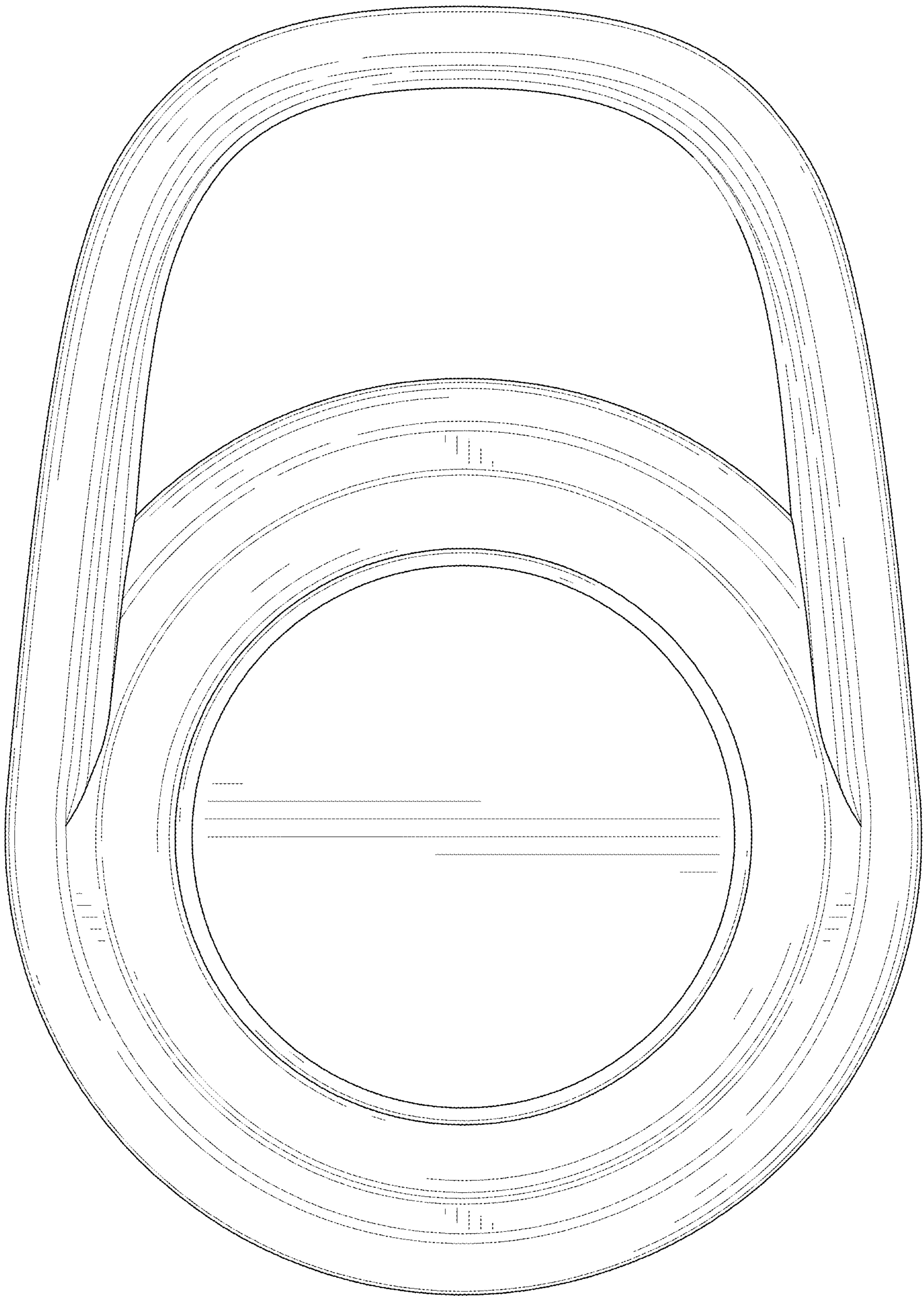


FIG. 3



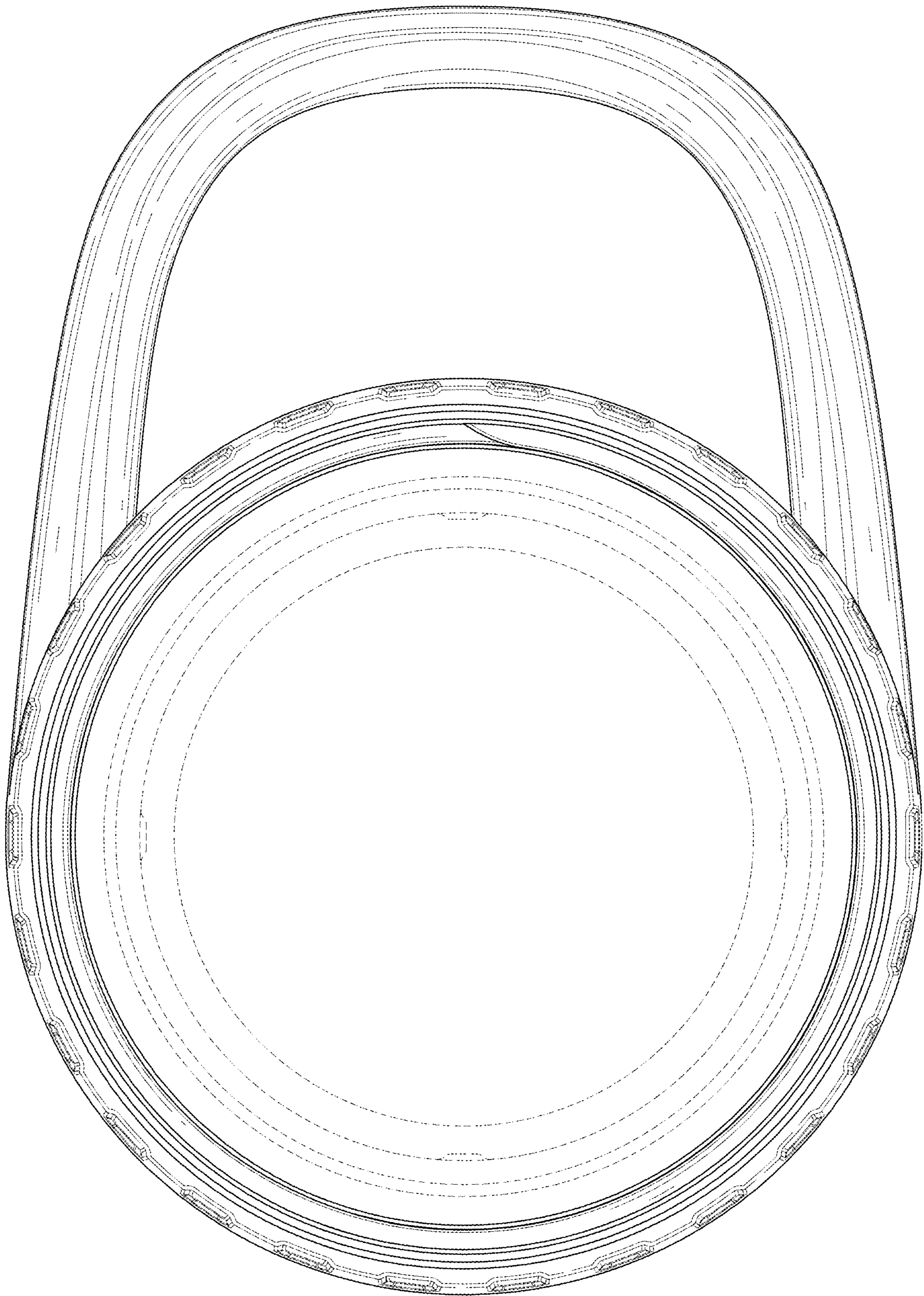


FIG. 4

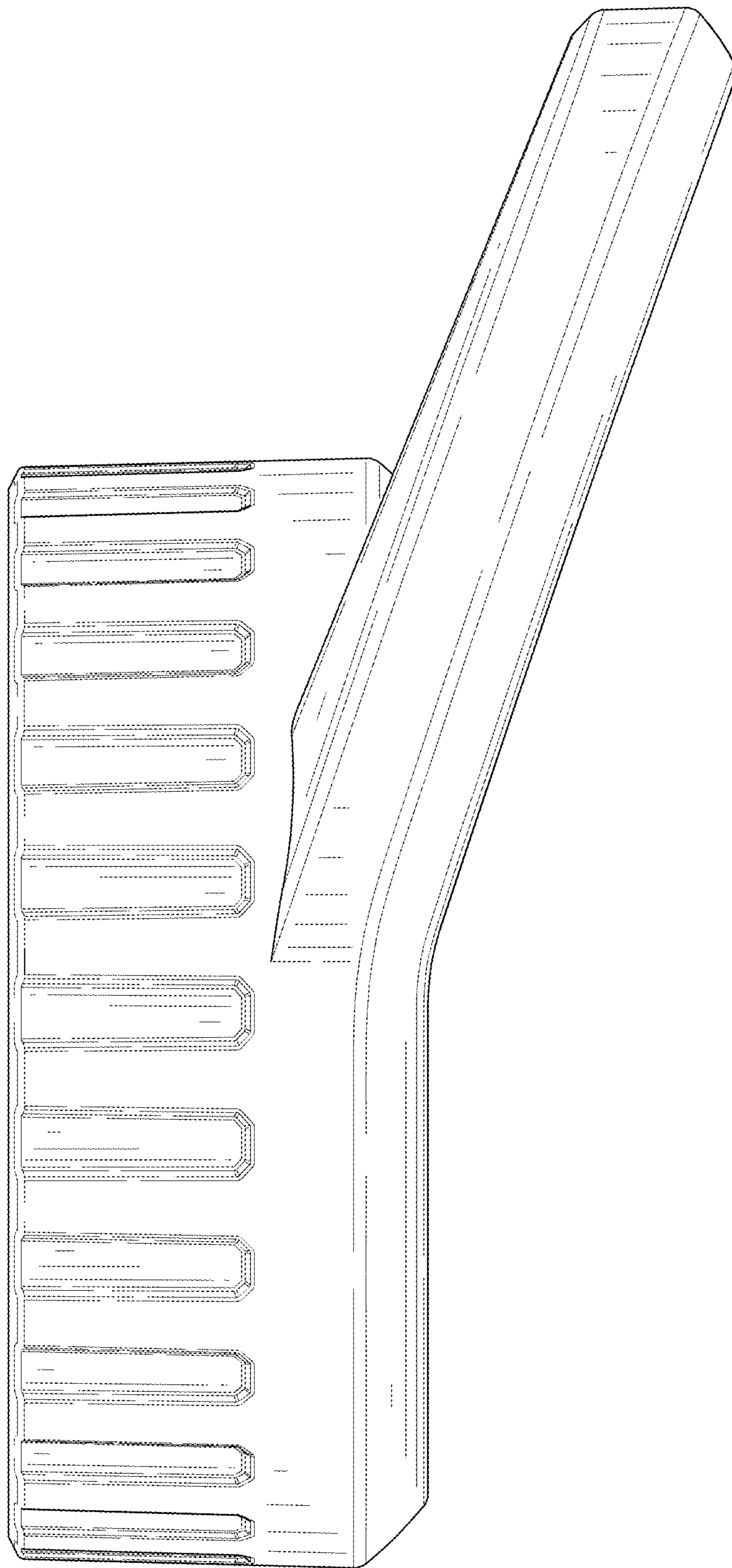


FIG. 5

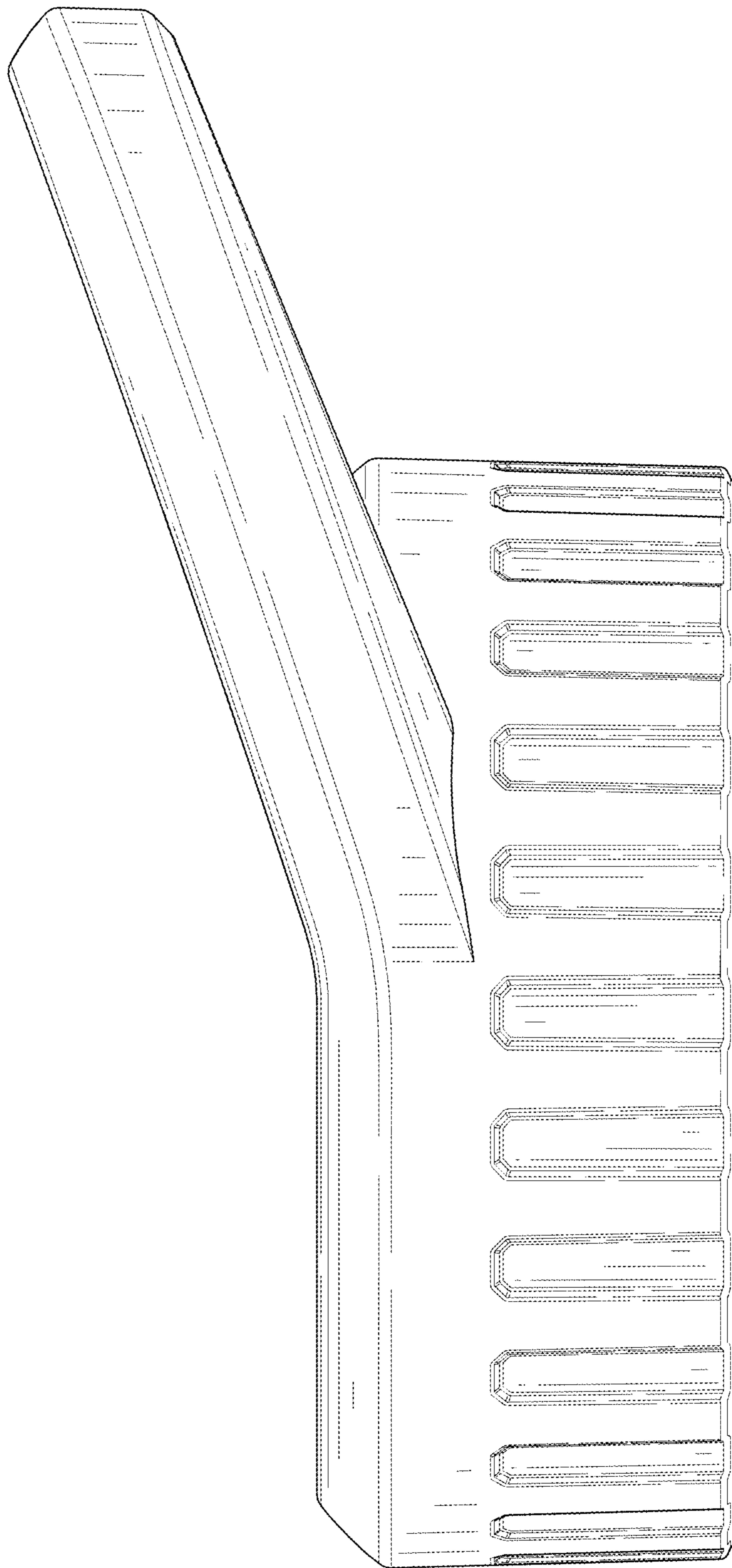


FIG. 6



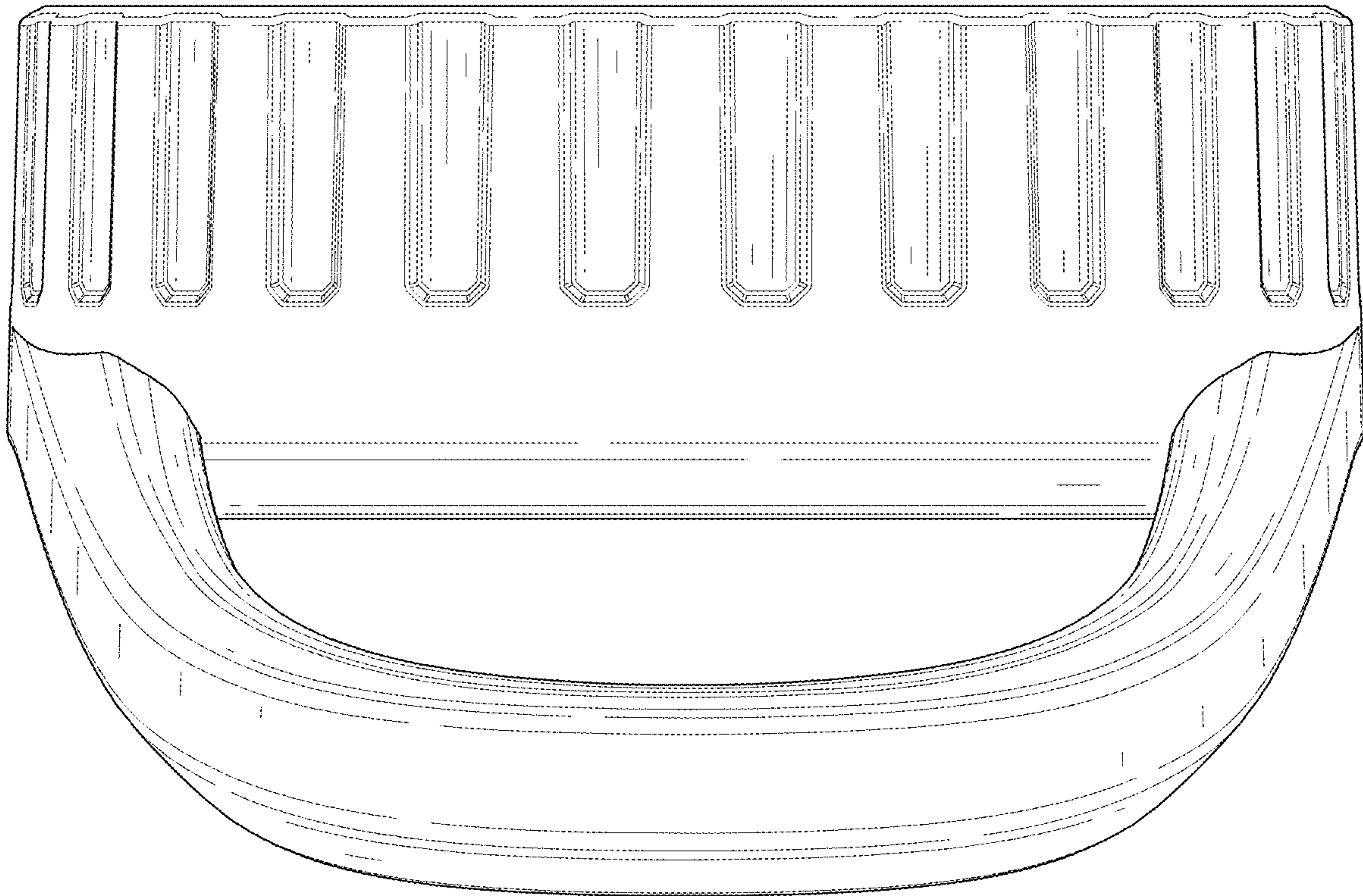


FIG. 7

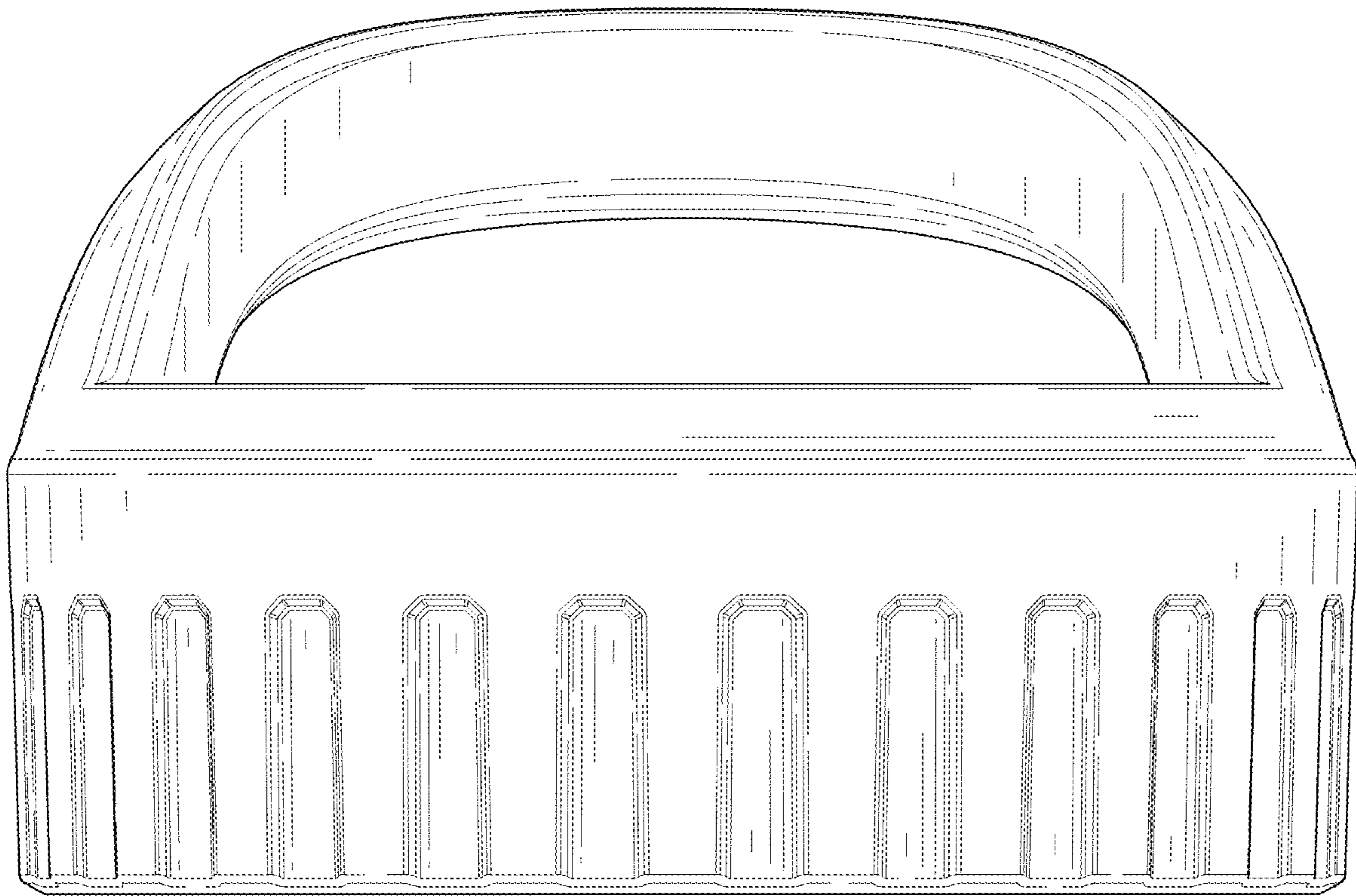


FIG. 8