



US00D897762S

(12) **United States Design Patent**  
**Zhang**

(10) **Patent No.:** **US D897,762 S**

(45) **Date of Patent:** **\*\* Oct. 6, 2020**

(54) **SPORT BOTTLE LID WITH STRAW AND HANDLE**

(71) Applicant: **Yongkang Qiqing Industry and Trade Co., Ltd.**, Jinhua (CN)

(72) Inventor: **Bo Zhang**, Gongxian (CN)

(\*\*) Term: **15 Years**

(21) Appl. No.: **29/732,050**

(22) Filed: **Apr. 21, 2020**

(51) **LOC (12) Cl.** ..... **07-99**

(52) **U.S. Cl.**  
USPC ..... **D7/392.1; D7/396.2; D9/443; D9/446; D9/450**

(58) **Field of Classification Search**  
USPC ..... D9/434, 435, 438-441, 443-454, 499, D9/503-505, 682, 685, 686; D7/300.1, D7/387, 391, 392, 392.1, 393, 394, 396.1, D7/396.2, 506, 507, 510, 511, 533, 534, D7/900; D3/202, 203.2, 294, 318; D28/91, 91.1  
CPC .. A61J 1/00; A61J 1/1412; B65D 1/00; B65D 1/02; B65D 1/10; B65D 1/46; B65D 5/46; B65D 41/00; B65D 41/38; B65D 41/56; B65D 41/62; B65D 47/00; B65D 47/06; B65D 47/08; B65D 2251/00; B65D 2543/00046; B65D 2543/00092; B65D 2543/00296  
See application file for complete search history.

(56) **References Cited**

**U.S. PATENT DOCUMENTS**

D165,653 S \* 1/1952 Johnson ..... D9/443  
D547,607 S \* 7/2007 Forsman ..... D9/449  
D614,440 S \* 4/2010 Cresswell ..... D7/392.1  
D649,879 S \* 12/2011 Gullickson ..... D9/450  
D685,606 S \* 7/2013 Keys ..... D9/447

D688,093 S \* 8/2013 Roth ..... D7/392.1  
D704,986 S \* 5/2014 Manies ..... D7/392.1  
D729,569 S \* 5/2015 Herbst ..... D7/392  
D750,428 S 3/2016 Keys et al.  
D762,117 S 7/2016 Joseph et al.  
D799,320 S \* 10/2017 Goodwin ..... D7/392.1  
D804,903 S \* 12/2017 Mason ..... D7/510  
D809,919 S \* 2/2018 Carlson ..... D9/446  
D810,500 S \* 2/2018 Maple ..... D7/392.1  
D812,966 S \* 3/2018 Murosky ..... D7/396.2  
D814,855 S \* 4/2018 Hammer ..... D7/392.1  
D814,856 S 4/2018 Kristinik  
D820,637 S \* 6/2018 Davis ..... D7/392.1  
D835,938 S \* 12/2018 Zou ..... D7/392.1

(Continued)

*Primary Examiner* — Wendy L Arminio

(74) *Attorney, Agent, or Firm* — Cynthia Flanigan; Wayne Harper

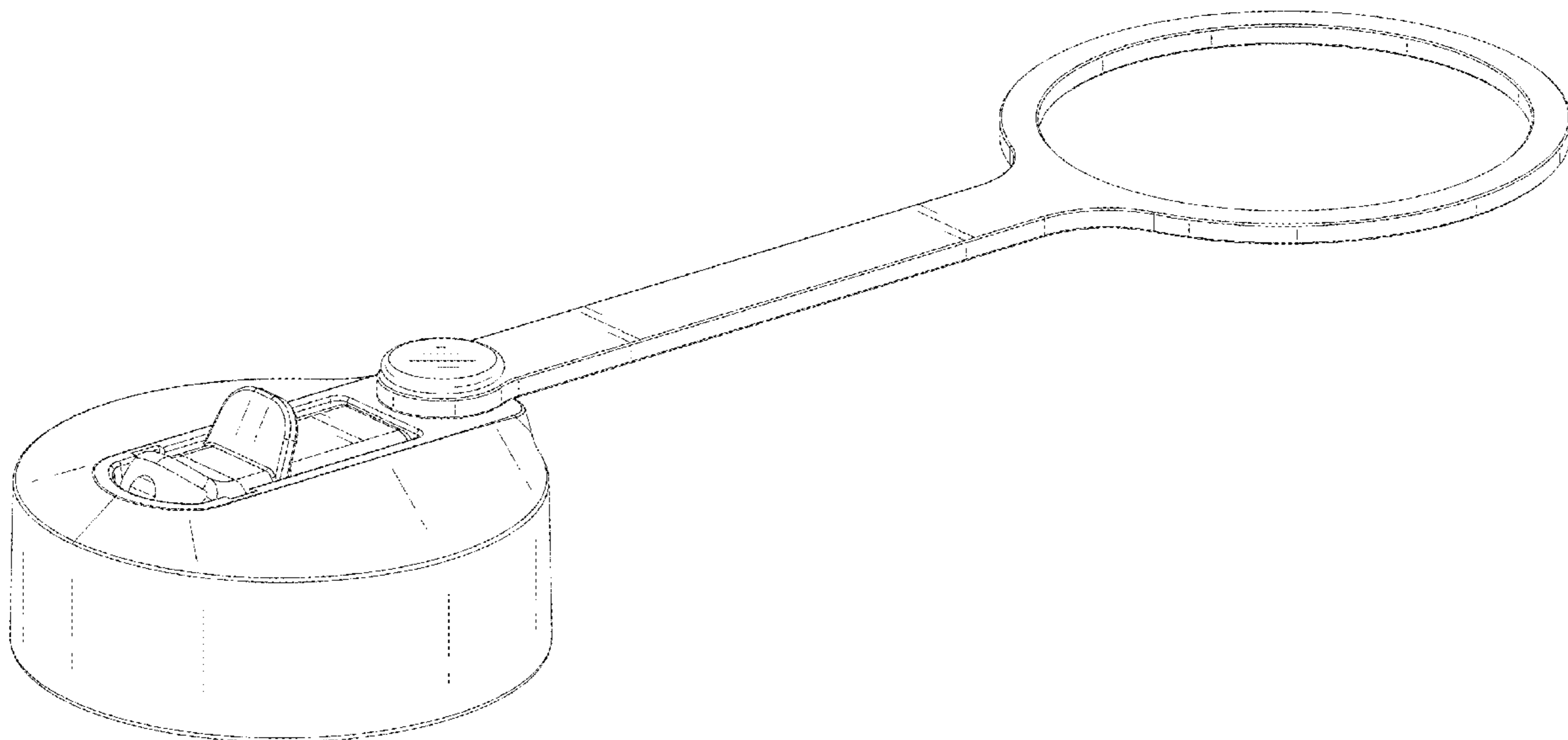
(57) **CLAIM**

The ornamental design for a sport bottle lid with straw and handle, as shown and described.

**DESCRIPTION**

FIG. 1 is a perspective view of a sport bottle lid with straw and handle showing my new design;  
FIG. 2 is a front view thereof;  
FIG. 3 is a back view thereof;  
FIG. 4 is a left side view thereof. The right side being a mirror image of the left side;  
FIG. 5 is a top view thereof;  
FIG. 6 is a bottom view thereof;  
FIG. 7 is another perspective view of the sport bottle lid with straw and handle of FIG. 1 shown with the straw feature in an open position and the handle feature in an alternative configuration; and,  
FIG. 8 is a left side view thereof but with the straw feature shown in a closed position.  
The broken lines depict portions of the sport bottle lid with straw and handle that form no part of the claimed design.

**1 Claim, 7 Drawing Sheets**



(56)

**References Cited**

U.S. PATENT DOCUMENTS

D844,376	S	4/2019	Rosette et al.	
D853,238	S *	7/2019	Yao .....	D9/436
D855,388	S *	8/2019	Potter .....	D7/392
D856,066	S *	8/2019	Barber .....	D7/392.1
D856,072	S *	8/2019	Barber .....	D7/396.2
D860,717	S *	9/2019	Barber .....	D7/392.1
D862,157	S *	10/2019	Barber .....	D7/392.1
D870,508	S *	12/2019	Palkon .....	D7/392.1
D872,522	S *	1/2020	Diener .....	D7/392.1
D886,517	S *	6/2020	Bo .....	D7/392.1
2014/0374448	A1 *	12/2014	Chen .....	B65D 47/2031 222/211

\* cited by examiner

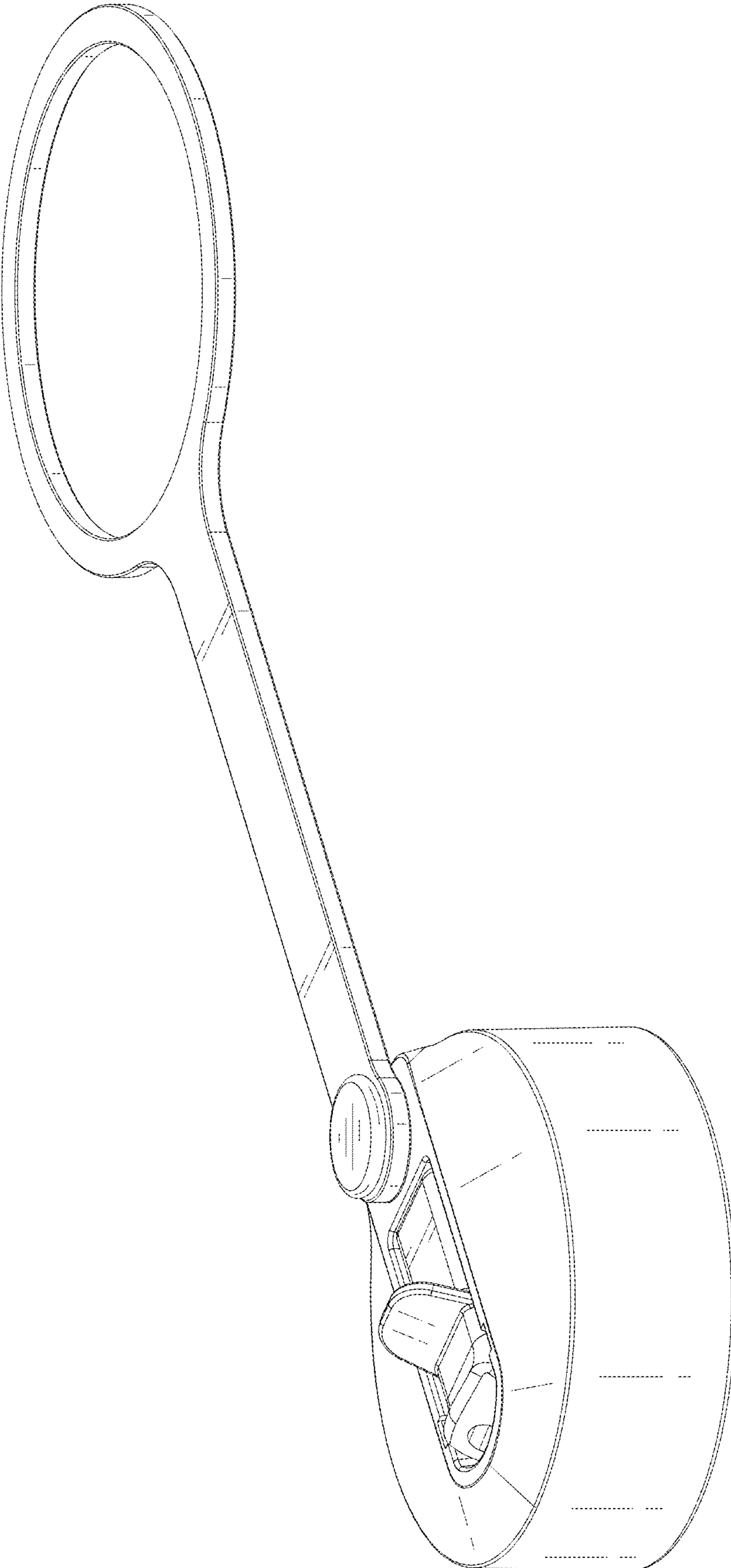


FIG. 1

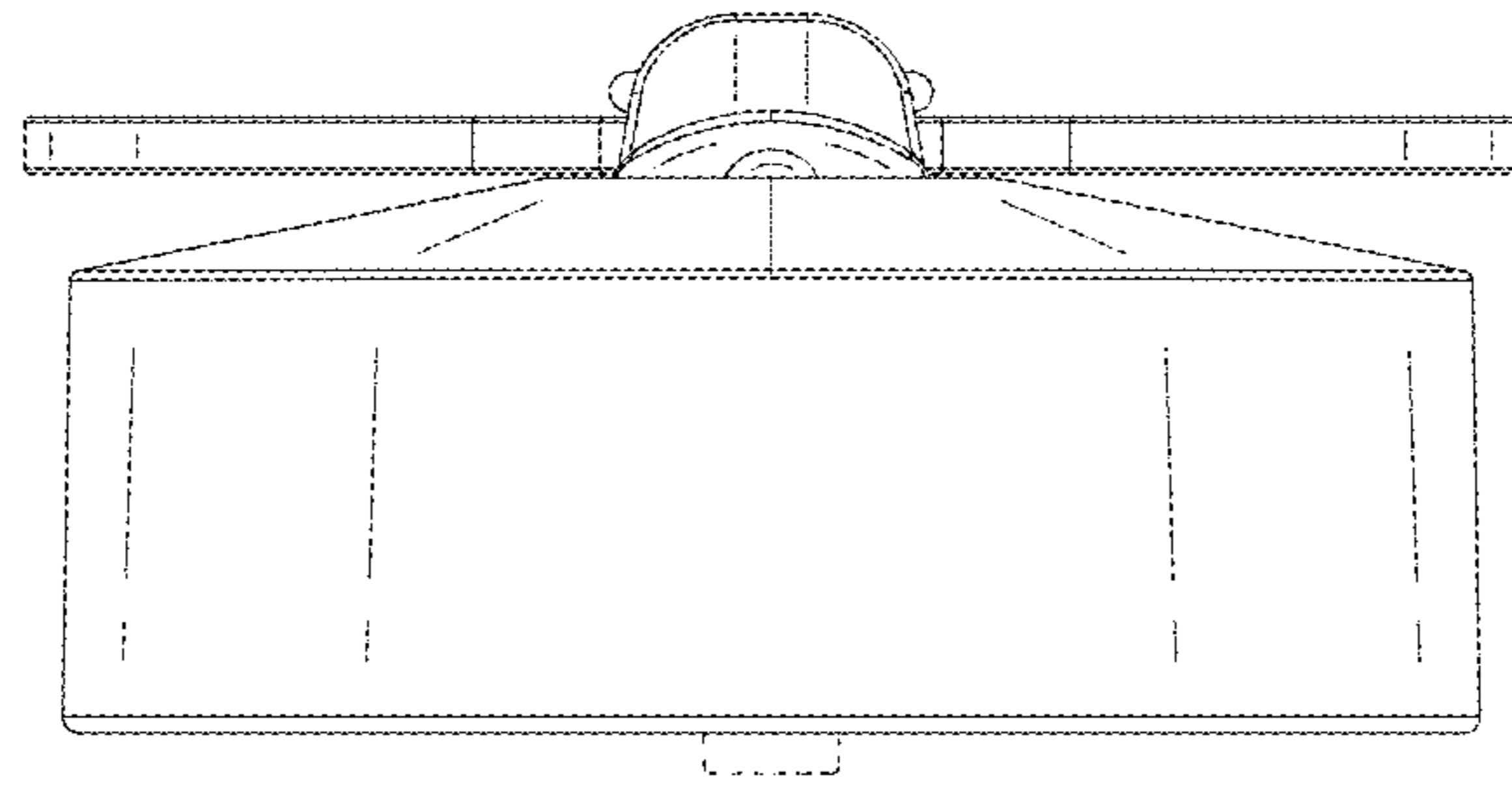


FIG. 2

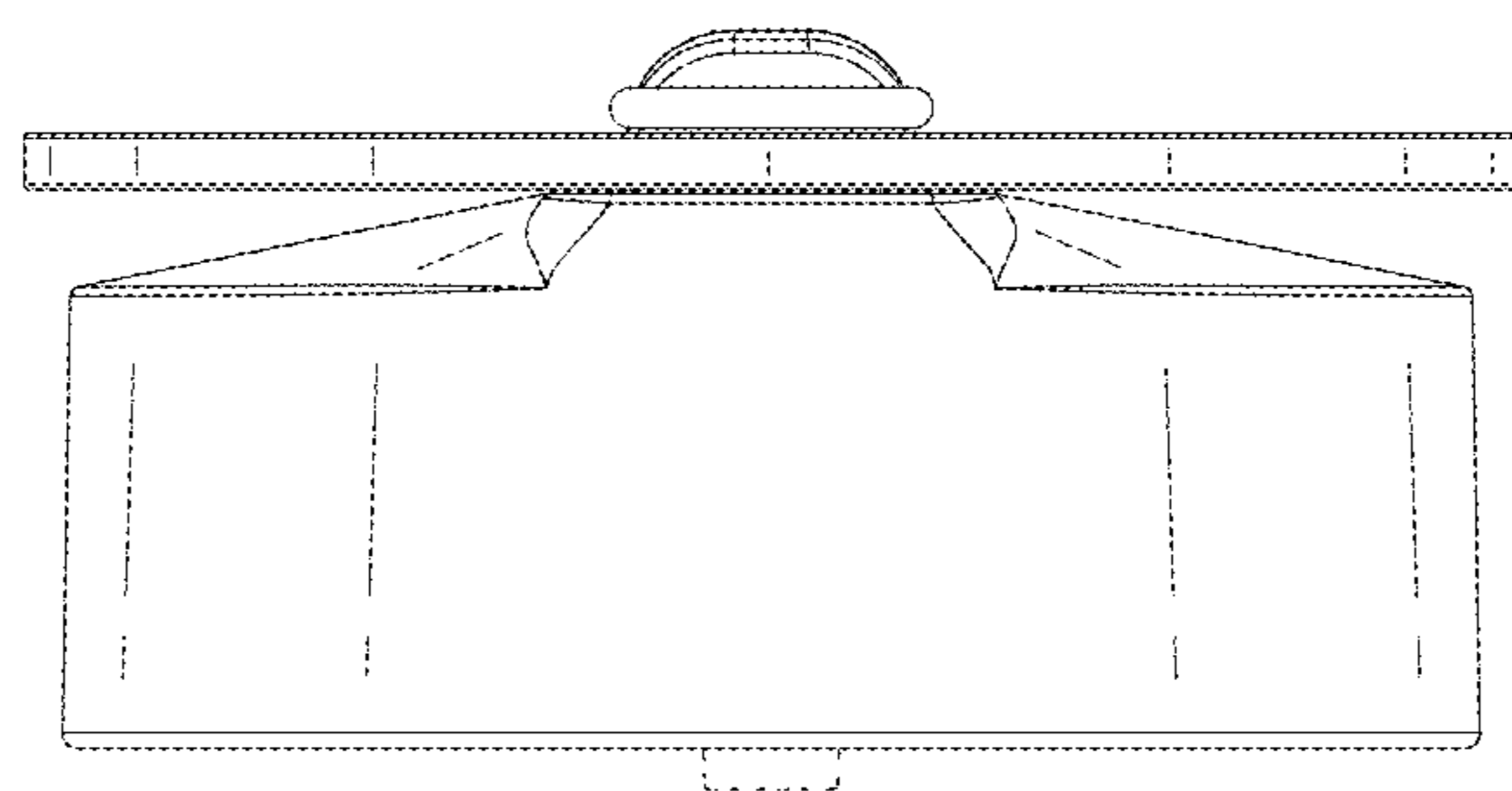


FIG. 3

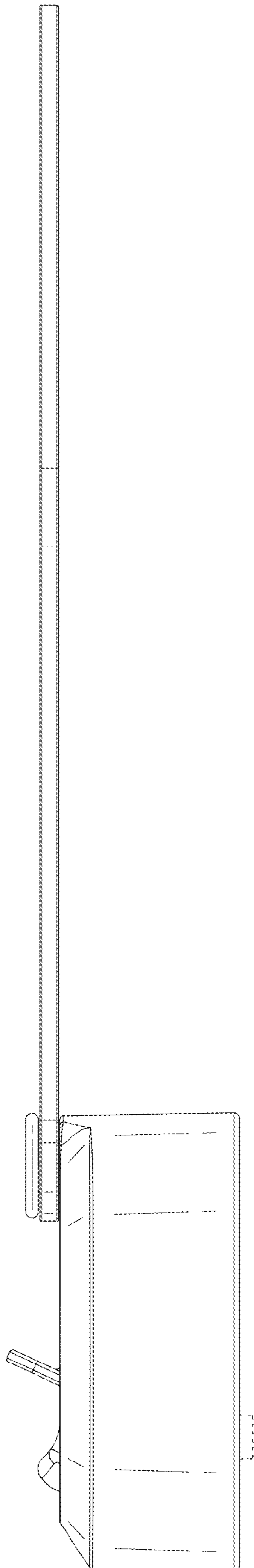


FIG. 4

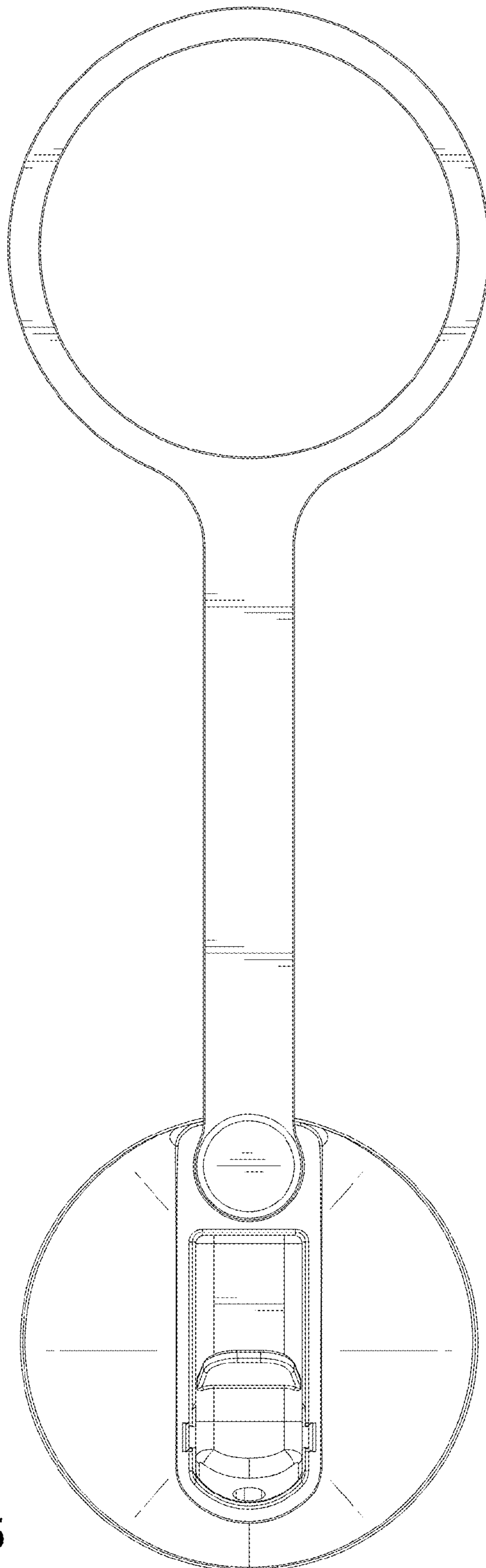


FIG. 5

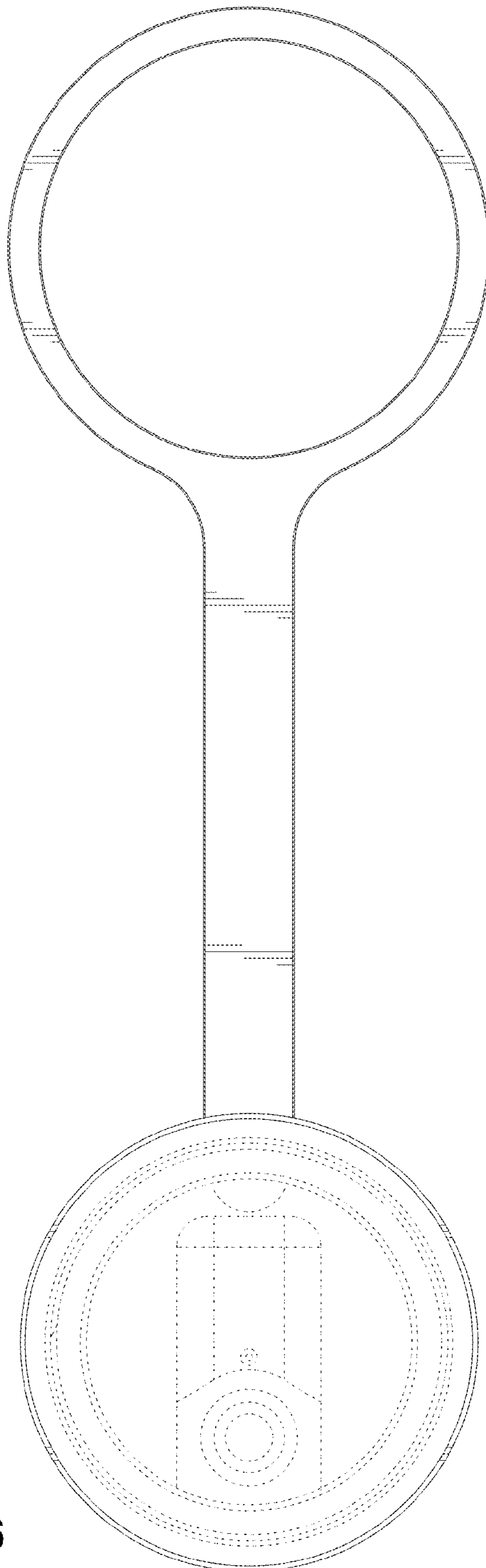


FIG. 6

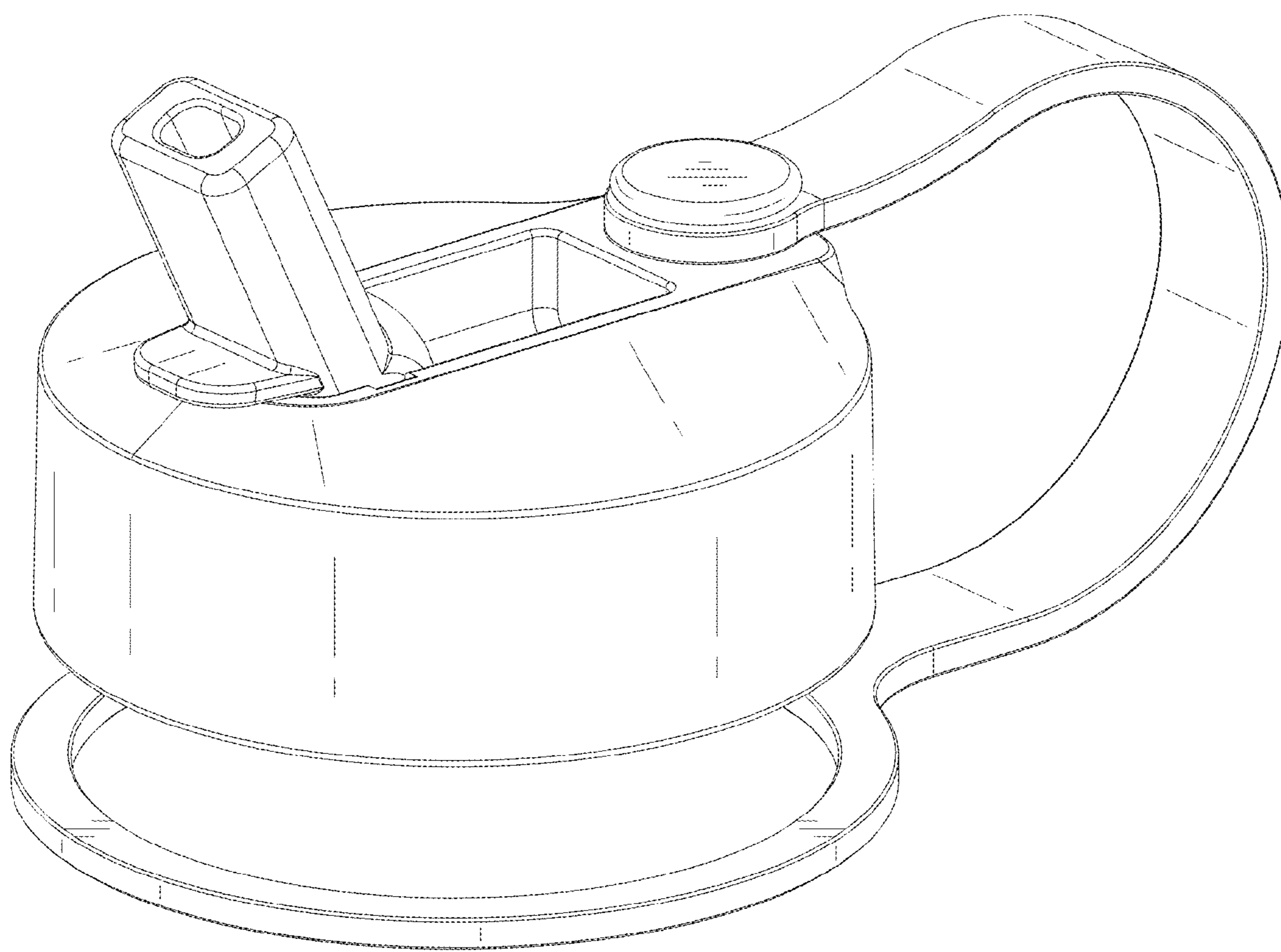


FIG. 7



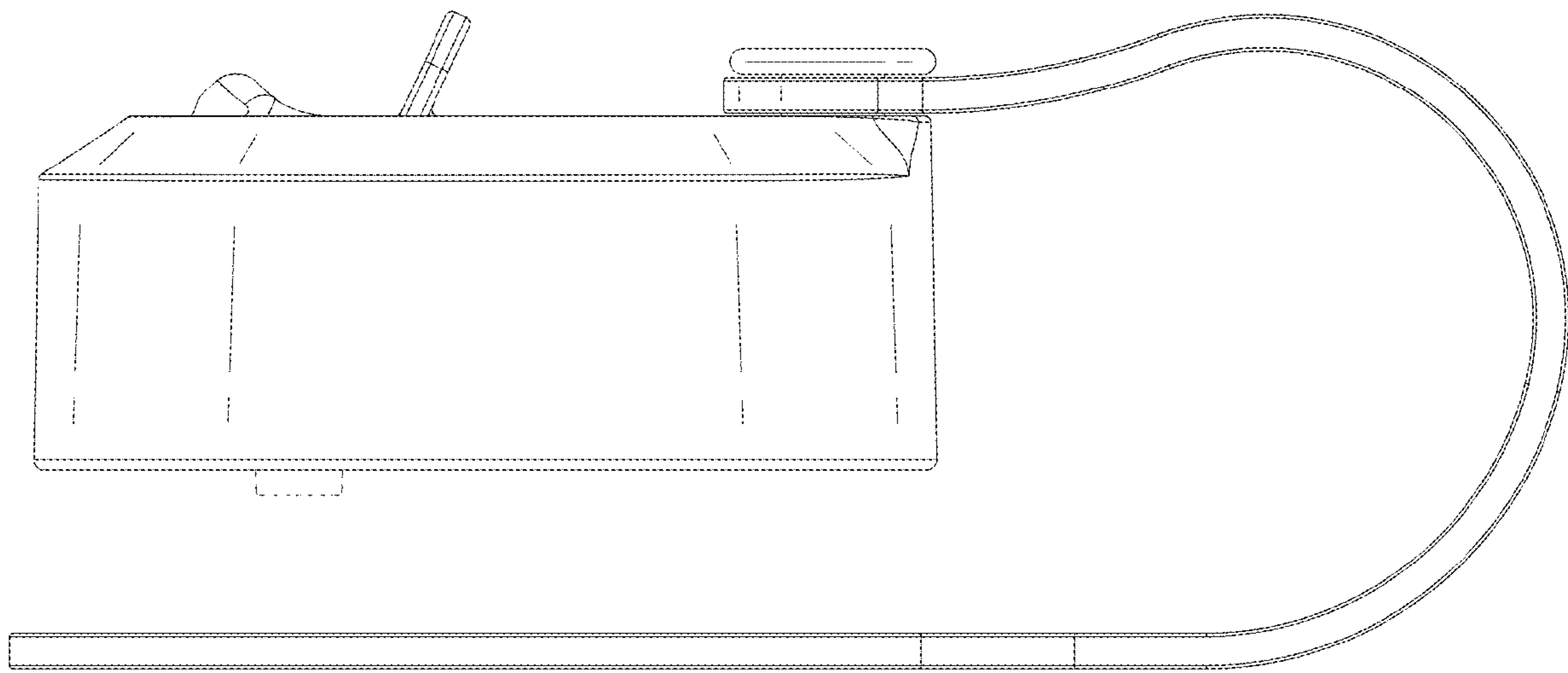


FIG. 8