



US00D897761S

(12) **United States Design Patent** (10) **Patent No.:** **US D897,761 S**
Zhang (45) **Date of Patent:** **** Oct. 6, 2020**

(54) **VACUUM FLASK LID WITH STRAW AND HANDLE**

(71) Applicant: **Yongkang Qiqing Industry and Trade Co., Ltd.**, Jinhua (CN)

(72) Inventor: **Bo Zhang**, Gongxian (CN)

(**) Term: **15 Years**

(21) Appl. No.: **29/732,047**

(22) Filed: **Apr. 21, 2020**

(51) **LOC (12) Cl.** **07-99**

(52) **U.S. Cl.**

USPC **D7/392.1**; D7/396.2; D9/443; D9/450

(58) **Field of Classification Search**

USPC D9/434, 435, 438-441, 443-454, 499, D9/503-505, 682, 685, 686; D7/300.1, D7/387, 391, 392, 392.1, 393, 394, 396.1, D7/396.2, 506, 507, 510, 511, 533, 534, D7/900; D3/202, 203.2, 294, 318; D28/91, 91.1

CPC .. A61J 1/00; A61J 1/1412; B65D 1/00; B65D 1/02; B65D 1/10; B65D 1/46; B65D 5/46; B65D 41/00; B65D 41/38; B65D 41/56; B65D 41/62; B65D 47/00; B65D 47/06; B65D 47/08; B65D 2251/00; B65D 2543/00046; B65D 2543/00092; B65D 2543/00296

See application file for complete search history.

(56) **References Cited**

U.S. PATENT DOCUMENTS

D165,653 S *	1/1952	Johnson	D9/443
D547,607 S *	7/2007	Forsman	D9/449
D592,905 S	5/2009	Pinelli et al.		
D683,581 S *	6/2013	Archer	D9/450
D720,218 S	12/2014	Hutson et al.		
D729,569 S *	5/2015	Herbst	D7/392

D760,080 S *	6/2016	Gorbold	D9/443
D786,012 S *	5/2017	Hein	D7/396.2
D804,903 S *	12/2017	Mason	D7/510
D806,468 S *	1/2018	Goodwin	D7/392.1
D811,162 S *	2/2018	Rane	D7/396.2
D812,966 S *	3/2018	Murosky	D9/447
D814,855 S *	4/2018	Hammer	D7/392.1
D820,637 S *	6/2018	Davis	D7/392.1
D853,181 S *	7/2019	Stanton	D7/392
D853,237 S *	7/2019	Yao	D7/392.1
D855,388 S *	8/2019	Potter	D7/392.1
D865,441 S	11/2019	Lowette		
D868,534 S *	12/2019	Lin	D7/392.1
D870,508 S *	12/2019	Palkon	D7/392.1
D870,509 S *	12/2019	Bo	D7/392.1

(Continued)

Primary Examiner — Wendy L Arminio

(74) *Attorney, Agent, or Firm* — Wayne V. Harper; Cynthia Flanigan

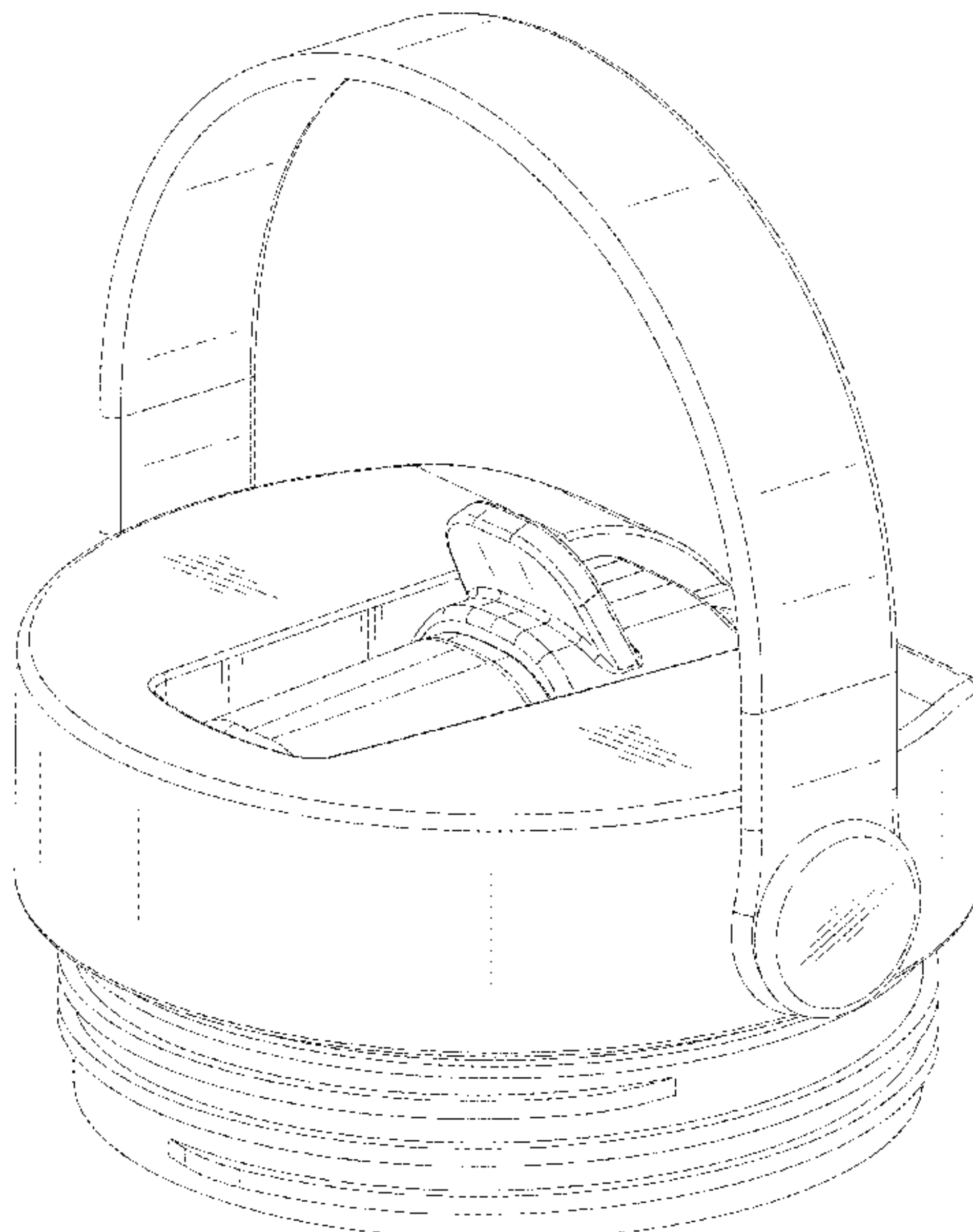
(57) **CLAIM**

The ornamental design for a vacuum flask lid with straw and handle, as shown and described.

DESCRIPTION

FIG. 1 is a perspective view of a vacuum flask lid with straw and handle showing my new design in a closed position; FIG. 2 is a perspective view of the vacuum flask lid with straw and handle showing my new design in an open position; FIG. 3 is a front view of the vacuum flask lid with straw and handle of FIG. 1 shown in the closed position; FIG. 4 is a back view thereof; FIG. 5 is a left-side view thereof; FIG. 6 is a right-side view thereof; FIG. 7 is a top view thereof; and, FIG. 8 is a bottom view thereof. The broken lines depict portions of the vacuum flask lid with straw and handle that form no part of the claimed design.

1 Claim, 8 Drawing Sheets



(56)

References Cited

U.S. PATENT DOCUMENTS

D871,144 S	12/2019	Zhang	
D872,522 S *	1/2020	Diener	D7/392.1
D872,524 S *	1/2020	Bo	D7/392.1
D875,466 S *	2/2020	Diener	D7/396.2
D881,642 S *	4/2020	Zhang	D7/392.1
D885,120 S *	5/2020	Yao	D7/392
D886,517 S *	6/2020	Bo	D7/392.1
2014/0138395 A1 *	5/2014	Joy	A47G 19/2272
			220/715
2016/0318693 A1 *	11/2016	Hein	B65D 51/242

* cited by examiner

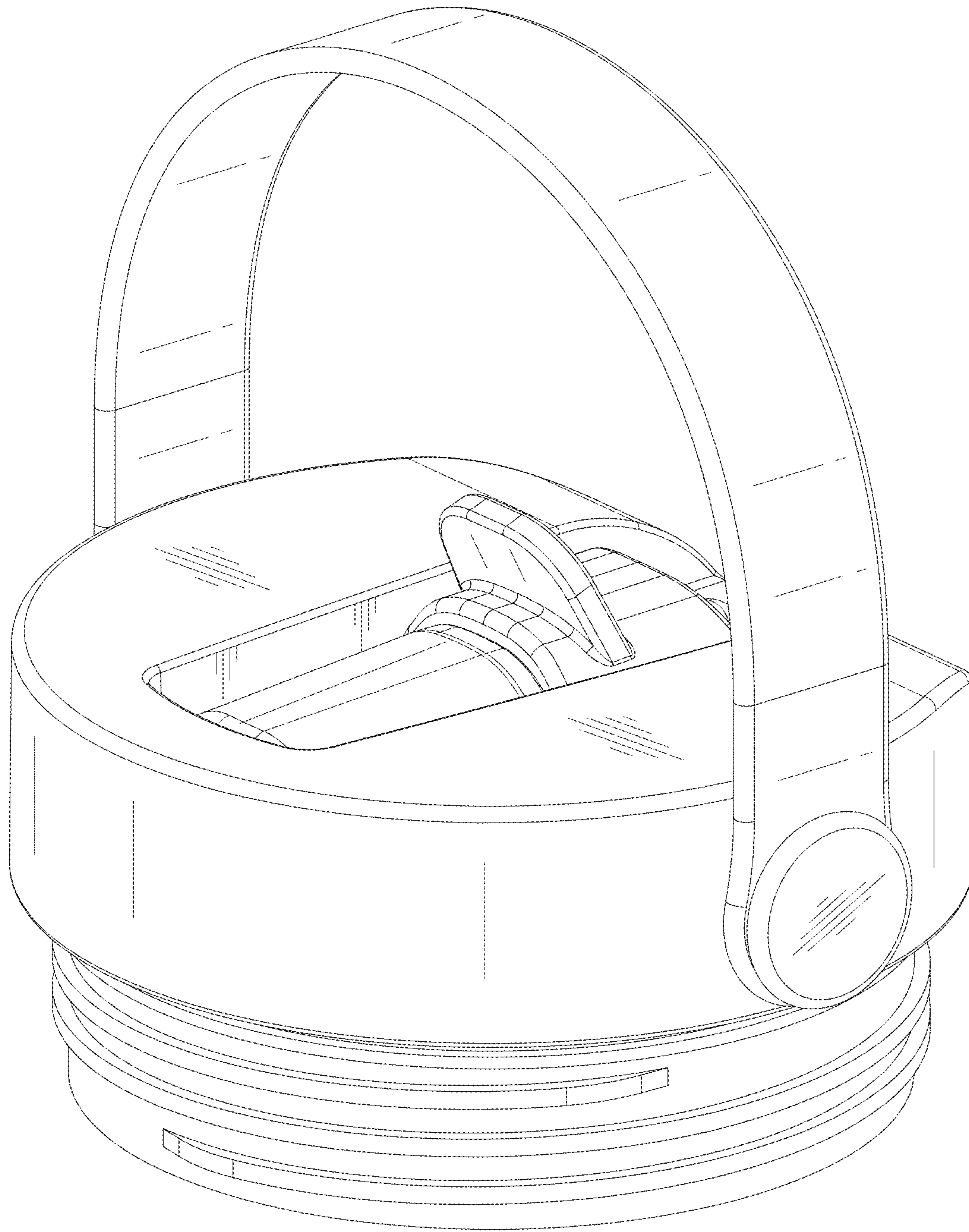


FIG. 1

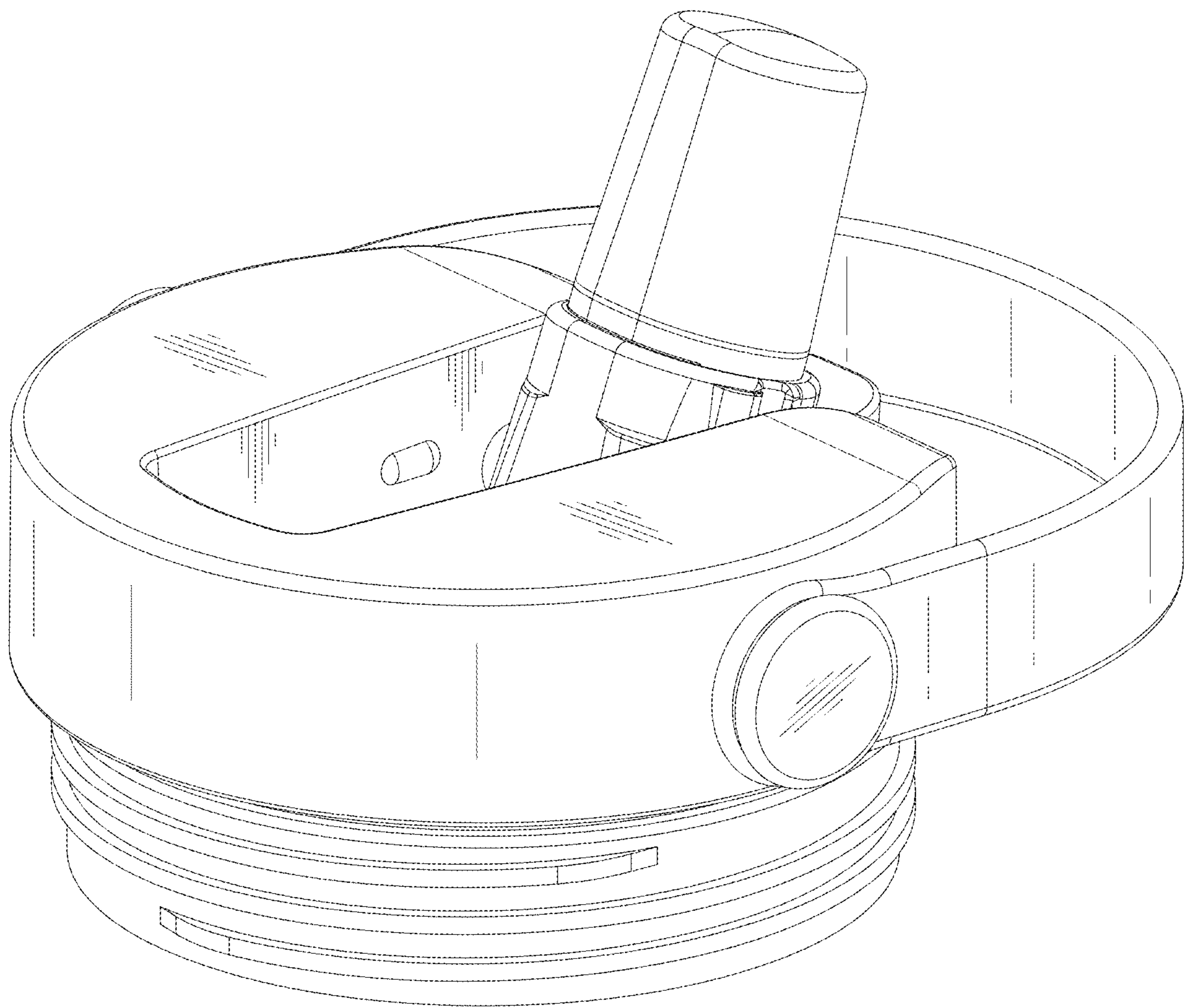


FIG. 2

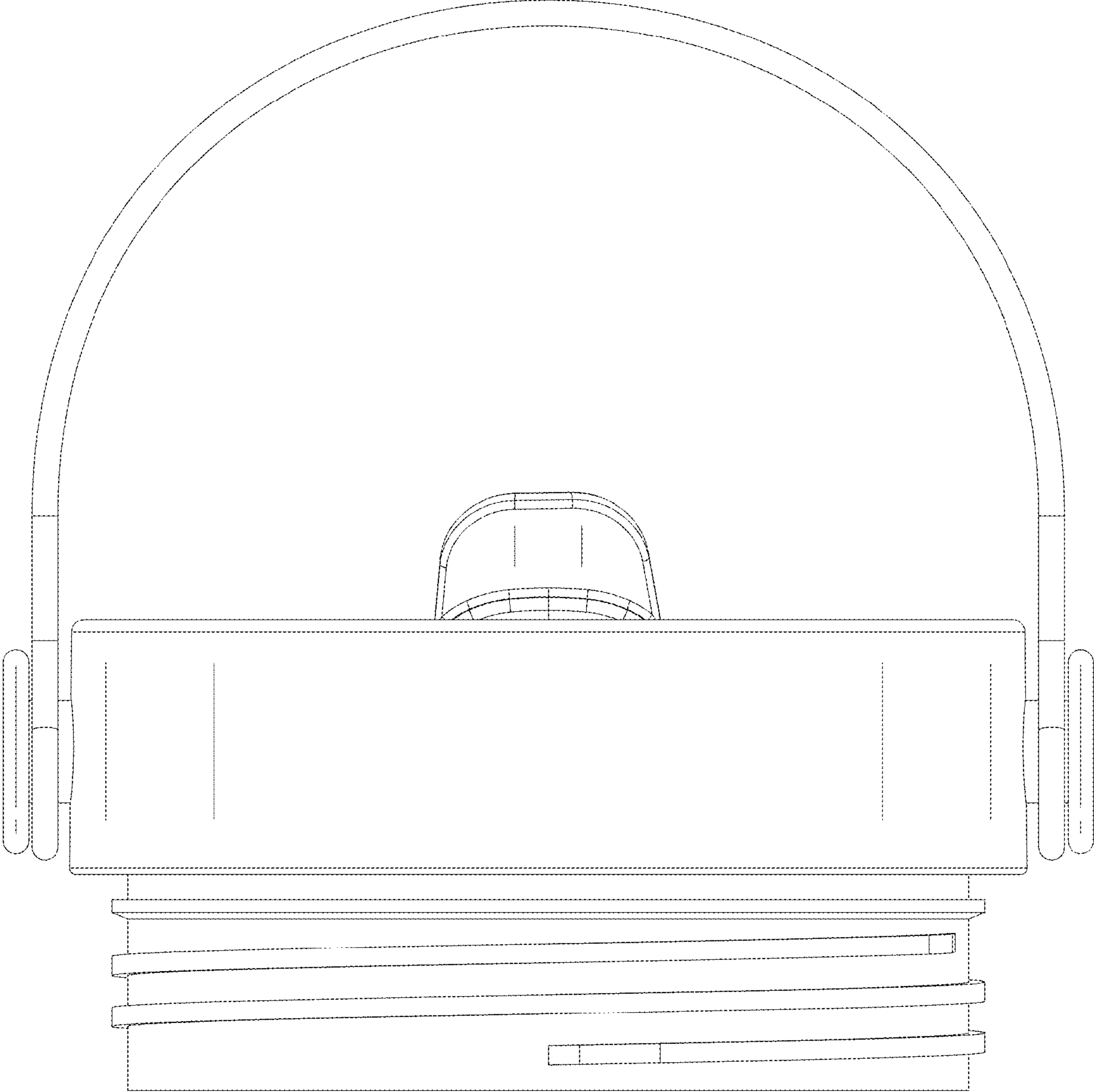


FIG. 3

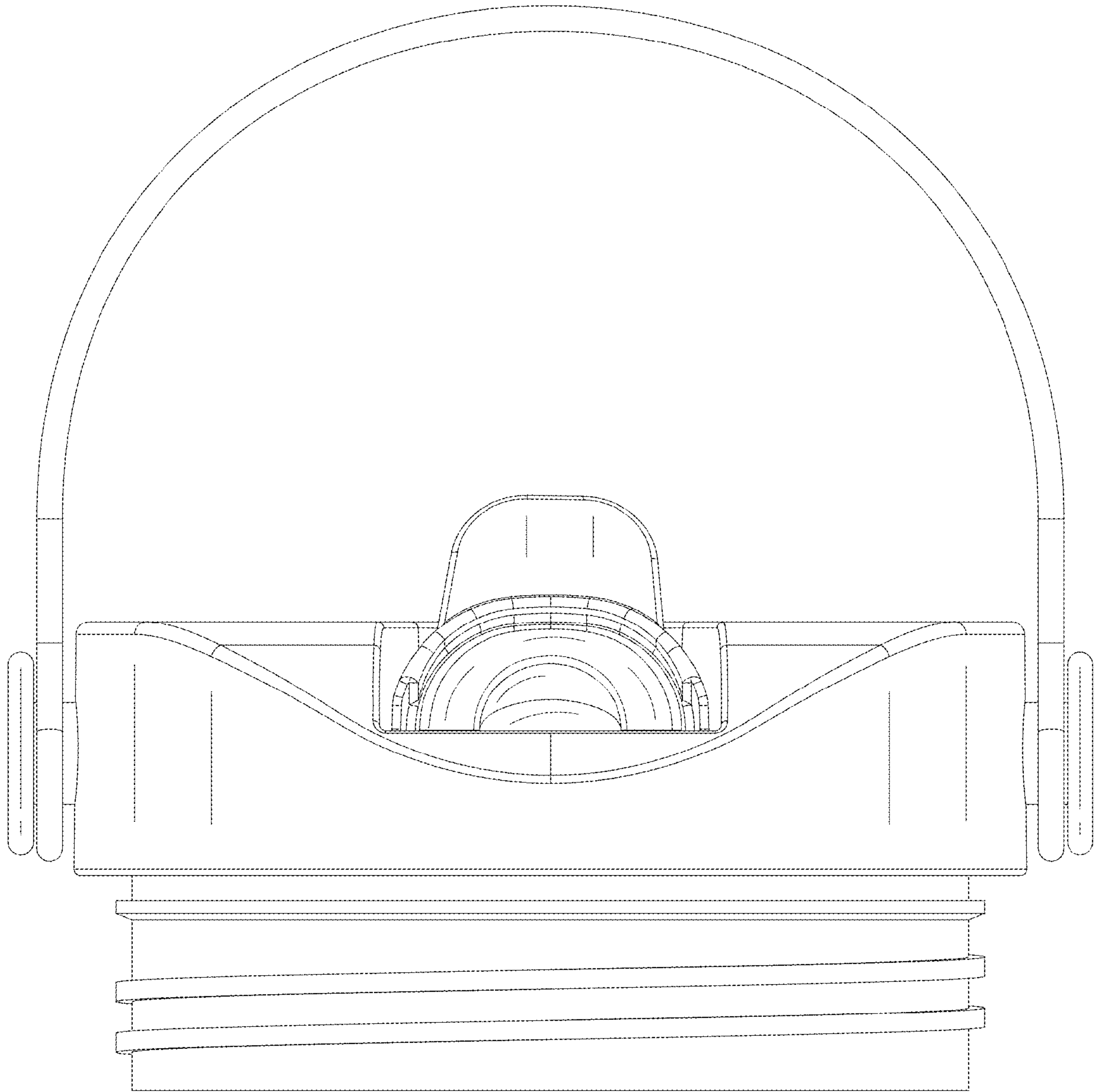


FIG. 4

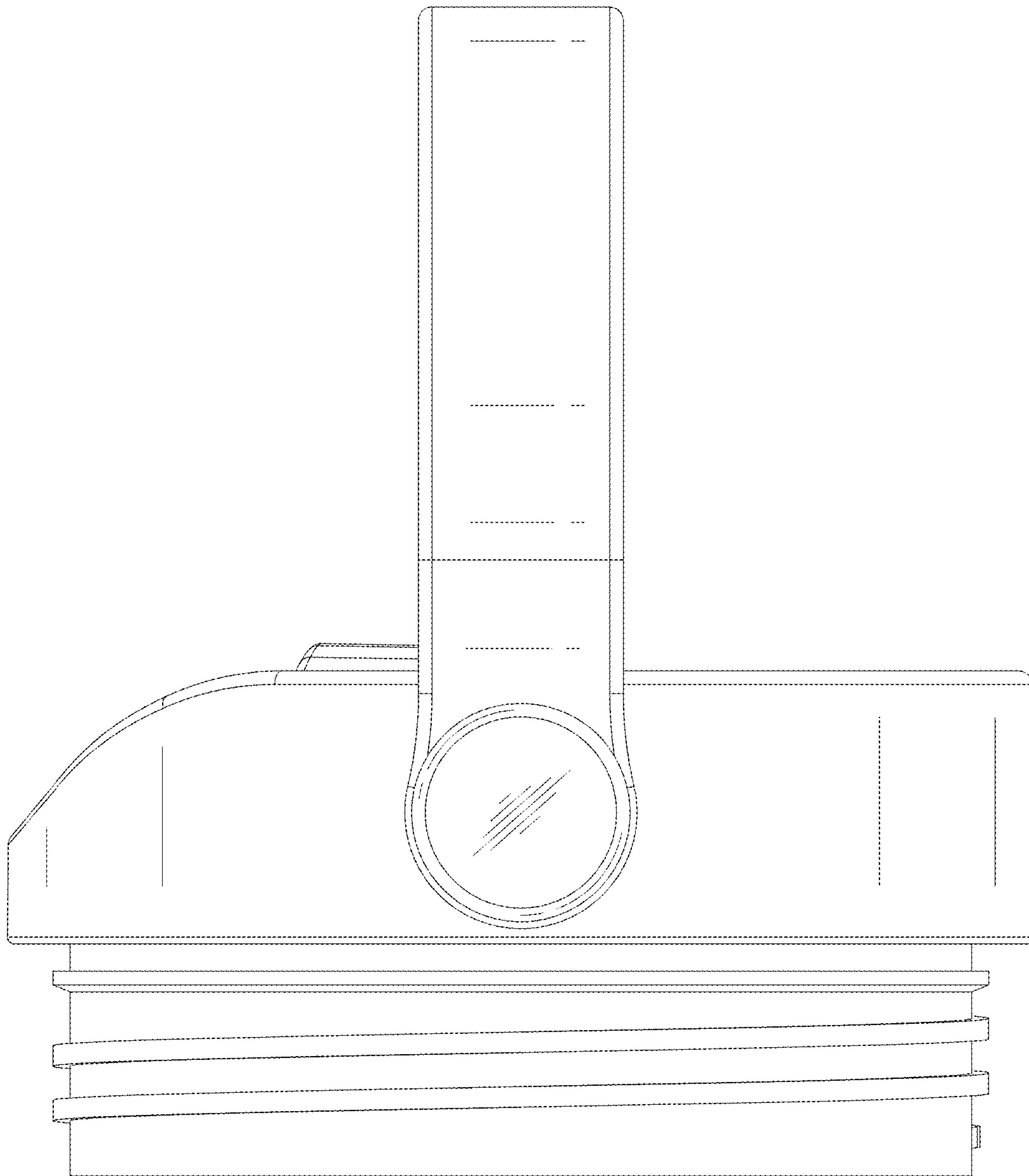


FIG. 5

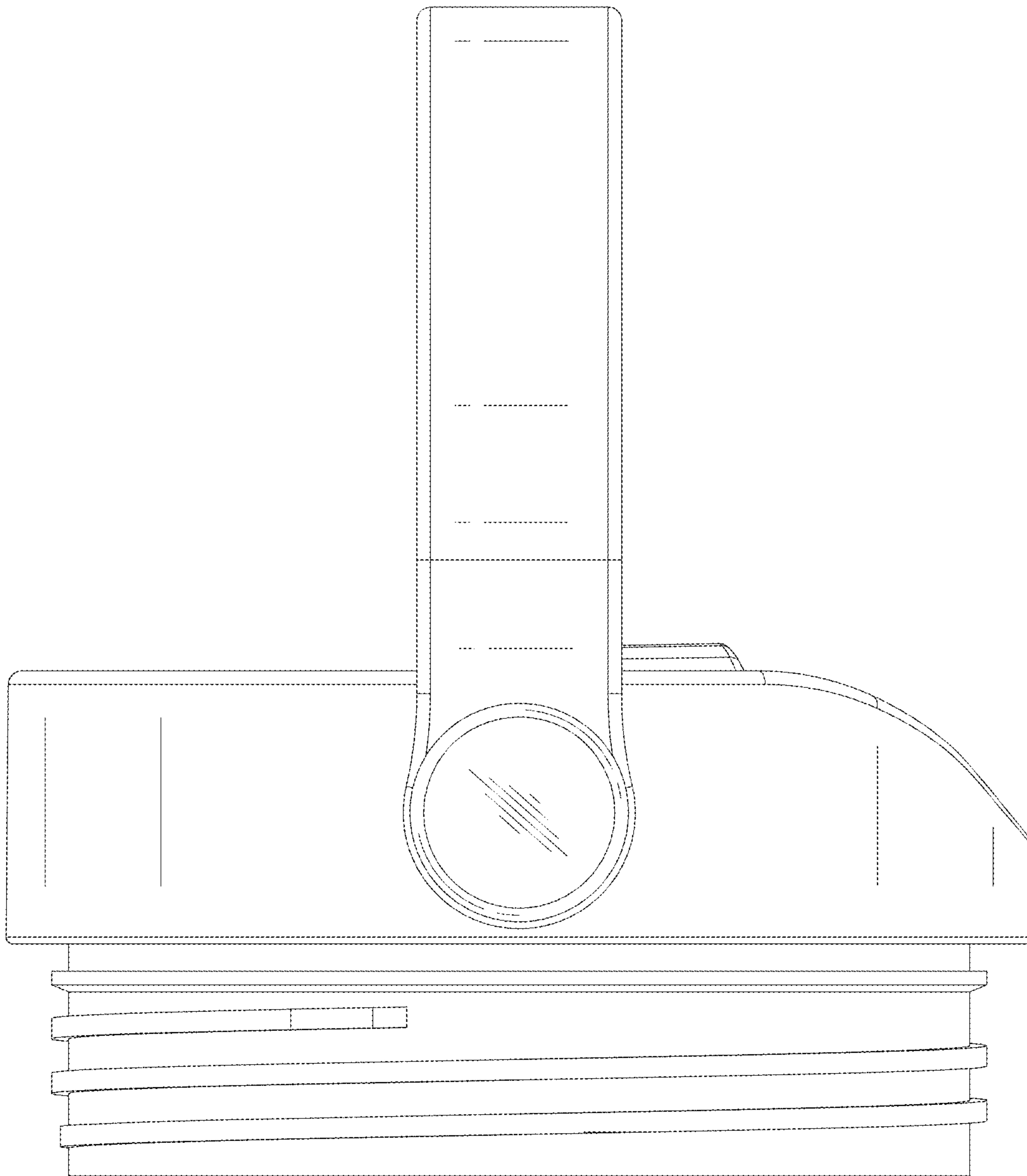


FIG. 6

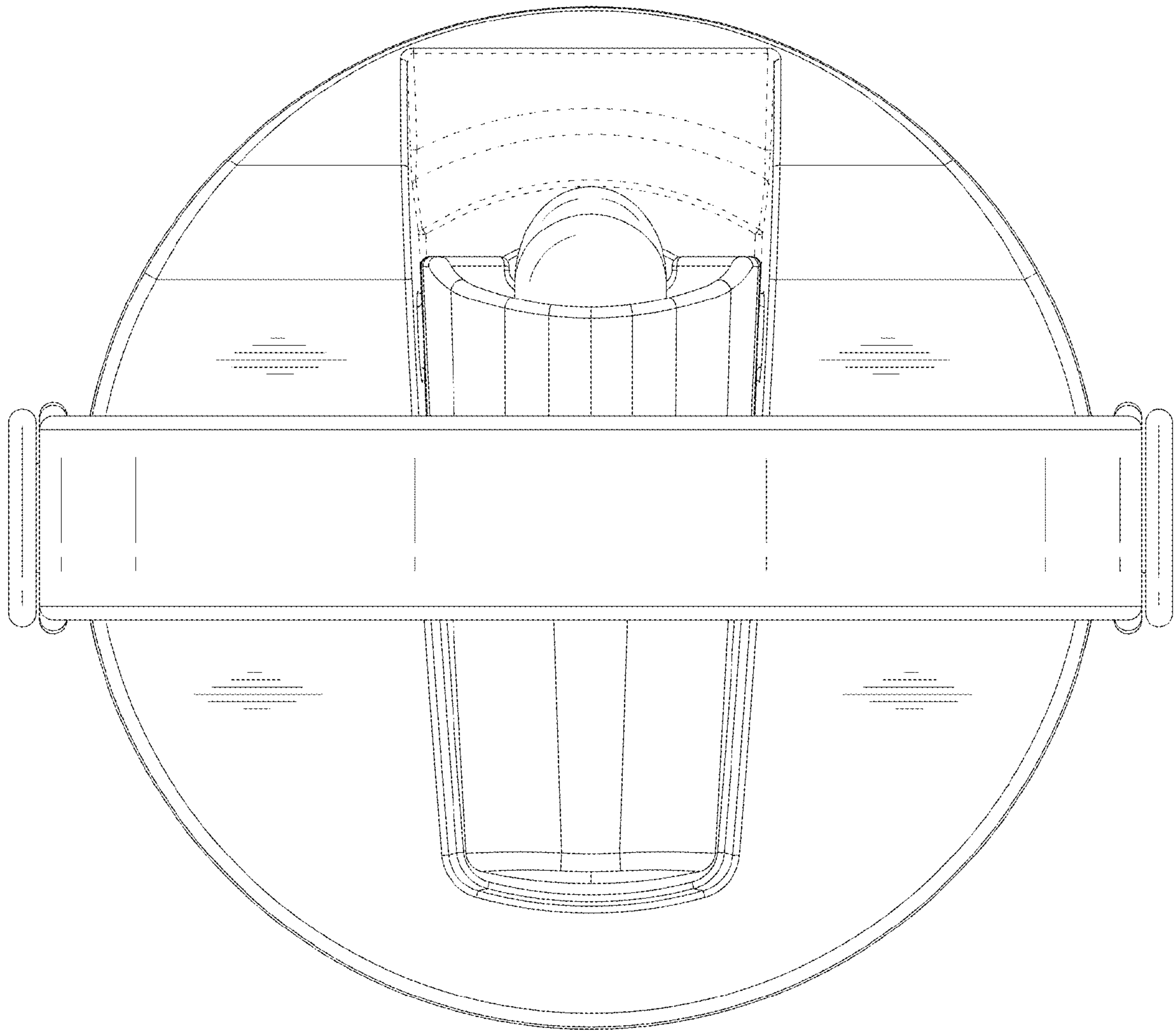


FIG. 7

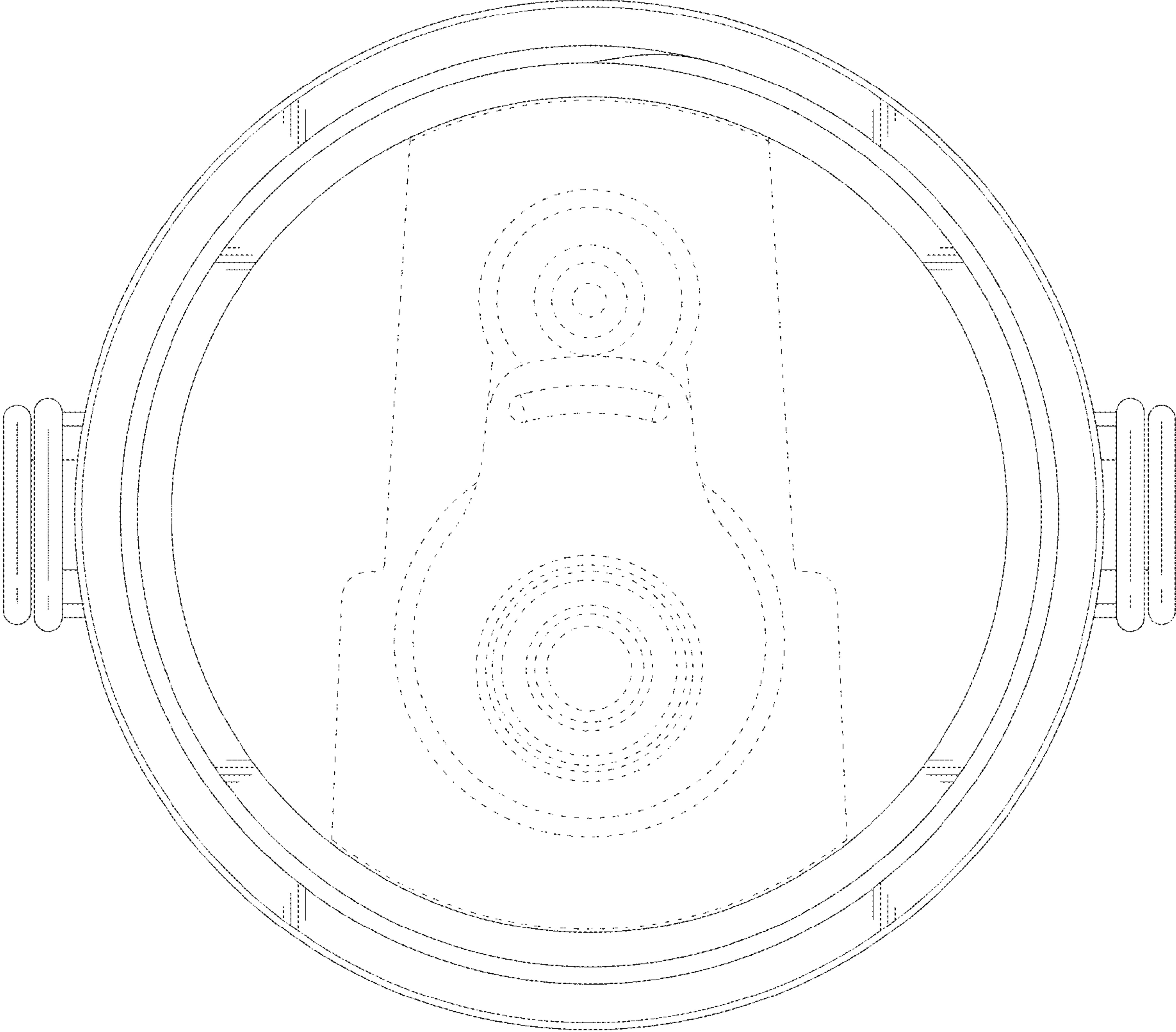


FIG. 8