



US00D897760S

(12) **United States Design Patent**
Feng

(10) **Patent No.:** **US D897,760 S**

(45) **Date of Patent:** **** Oct. 6, 2020**

- (54) **LID**
- (71) Applicant: **Shenzhen Humboldt Technology Co., Ltd, Shenzhen (CN)**
- (72) Inventor: **Jianwei Feng, Guangdong (CN)**
- (**) Term: **15 Years**
- (21) Appl. No.: **29/724,875**
- (22) Filed: **Feb. 20, 2020**
- (51) **LOC (12) Cl.** **07-99**
- (52) **U.S. Cl.**
USPC **D7/392.1; D7/396.2; D9/443; D9/447; D9/453**
- (58) **Field of Classification Search**
USPC D9/434, 435, 438-441, 443-454, 499, D9/503-505, 682, 685, 686; D7/300.1, D7/387, 391, 392, 392.1, 393, 394, 396.1, D7/396.2, 506, 507, 510, 511, 533, 534, D7/900; D3/202, 203.2, 294, 318; D28/91, 91.1
CPC .. A61J 1/00; A61J 1/1412; B65D 1/00; B65D 1/02; B65D 1/10; B65D 1/46; B65D 5/46; B65D 41/00; B65D 41/38; B65D 41/56; B65D 41/62; B65D 47/00; B65D 47/06; B65D 47/08; B65D 2251/00; B65D 2543/00046; B65D 2543/00092; B65D 2543/00296
See application file for complete search history.

- (56) **References Cited**
U.S. PATENT DOCUMENTS
D165,653 S * 1/1952 Johnson D9/443
D288,667 S * 3/1987 Miner D9/453
D334,341 S * 3/1993 Brown D9/447
D351,761 S * 10/1994 Feer D9/447
D372,639 S * 8/1996 Kristinik D7/510
D372,866 S * 8/1996 Ahern, Jr. D7/392.1

- D543,776 S * 6/2007 Yelland D7/392.1
- D568,740 S * 5/2008 Williams D9/443
- D632,176 S * 2/2011 McKinney D9/453
- D674,277 S * 1/2013 Hanson D9/446
- D688,520 S * 8/2013 Lin D7/300.1
- D691,849 S * 10/2013 Cetera D7/392.1
- D700,012 S * 2/2014 Hurley D7/392.1
- D704,986 S * 5/2014 Manies D7/392.1
- D726,476 S * 4/2015 Ercanbrack D7/300.1
- D739,174 S * 9/2015 Elsaden D7/392.1
- D751,344 S * 3/2016 Charlton D7/300.1
- D780,516 S * 3/2017 Cornelius D7/510
- D794,386 S * 8/2017 Steel D7/396.2
- D802,993 S * 11/2017 Joseph D7/392.1
- D808,216 S * 1/2018 Holowaychuk D7/412
- D811,162 S * 2/2018 Rane D7/396.2
- D812,966 S * 3/2018 Murosky D7/392.1
- D814,855 S * 4/2018 Hammer D7/392.1
- D816,398 S * 5/2018 Fleischhut D7/392.1
- D816,493 S * 5/2018 Seiders et al.
- D828,094 S * 9/2018 Jackson D7/511

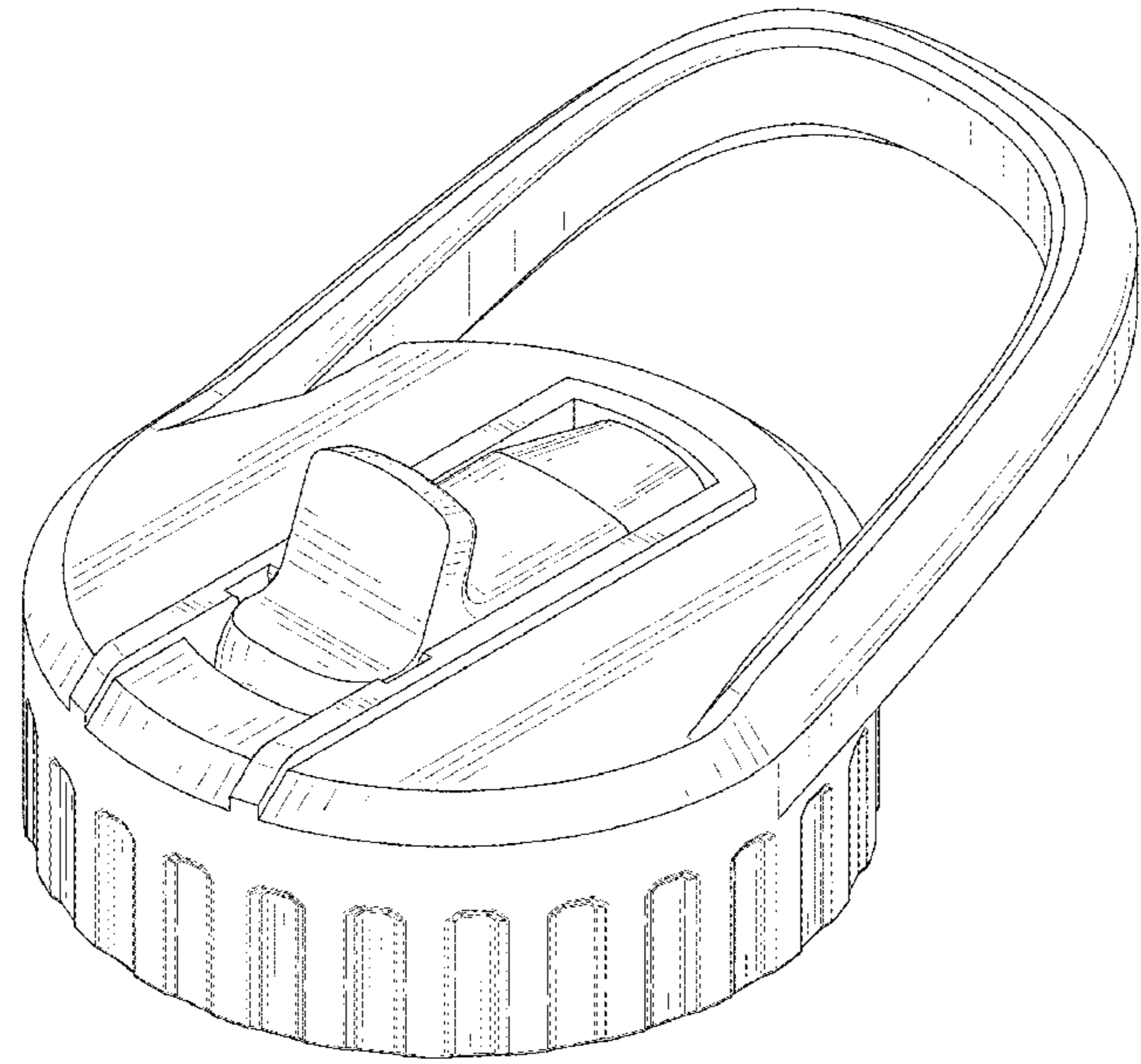
(Continued)

Primary Examiner — Wendy L Arminio
(74) Attorney, Agent, or Firm — ZANIP

(57) **CLAIM**
The ornamental design for a lid, as shown and described.

DESCRIPTION
FIG. 1 is a front and bottom perspective view of a lid, showing my new design;
FIG. 2 is a rear and top perspective view thereof;
FIG. 3 is a front elevational view thereof;
FIG. 4 is a rear elevational view thereof;
FIG. 5 is a left side elevational view thereof;
FIG. 6 is a right side elevational view thereof;
FIG. 7 is a top plan view thereof; and,
FIG. 8 is a bottom plan view thereof.
The broken lines in the figures illustrate portions of the lid that form no part of the claimed design.

1 Claim, 8 Drawing Sheets



(56)

References Cited

U.S. PATENT DOCUMENTS

D850,207	S	*	6/2019	Peng	D7/510
D855,388	S	*	8/2019	Potter	D7/392.1
D856,066	S	*	8/2019	Barber	D7/392.1
D859,919	S	*	9/2019	Gronkowski	D7/510
D862,157	S	*	10/2019	Barber	D7/392.1
D862,985	S	*	10/2019	Backs	D7/511
D869,229	S	*	12/2019	Hao	D7/392.1
D870,508	S	*	12/2019	Palkon	D7/392.1
D871,833	S	*	1/2020	Farsai	B65D 47/066
						D7/392.1
D872,522	S	*	1/2020	Diener	D7/392.1
D872,524	S	*	1/2020	Bo	D7/392.1
D878,853	S	*	3/2020	Omdahl, II	D7/392.1
D878,855	S	*	3/2020	Nucci	D7/392.1

* cited by examiner

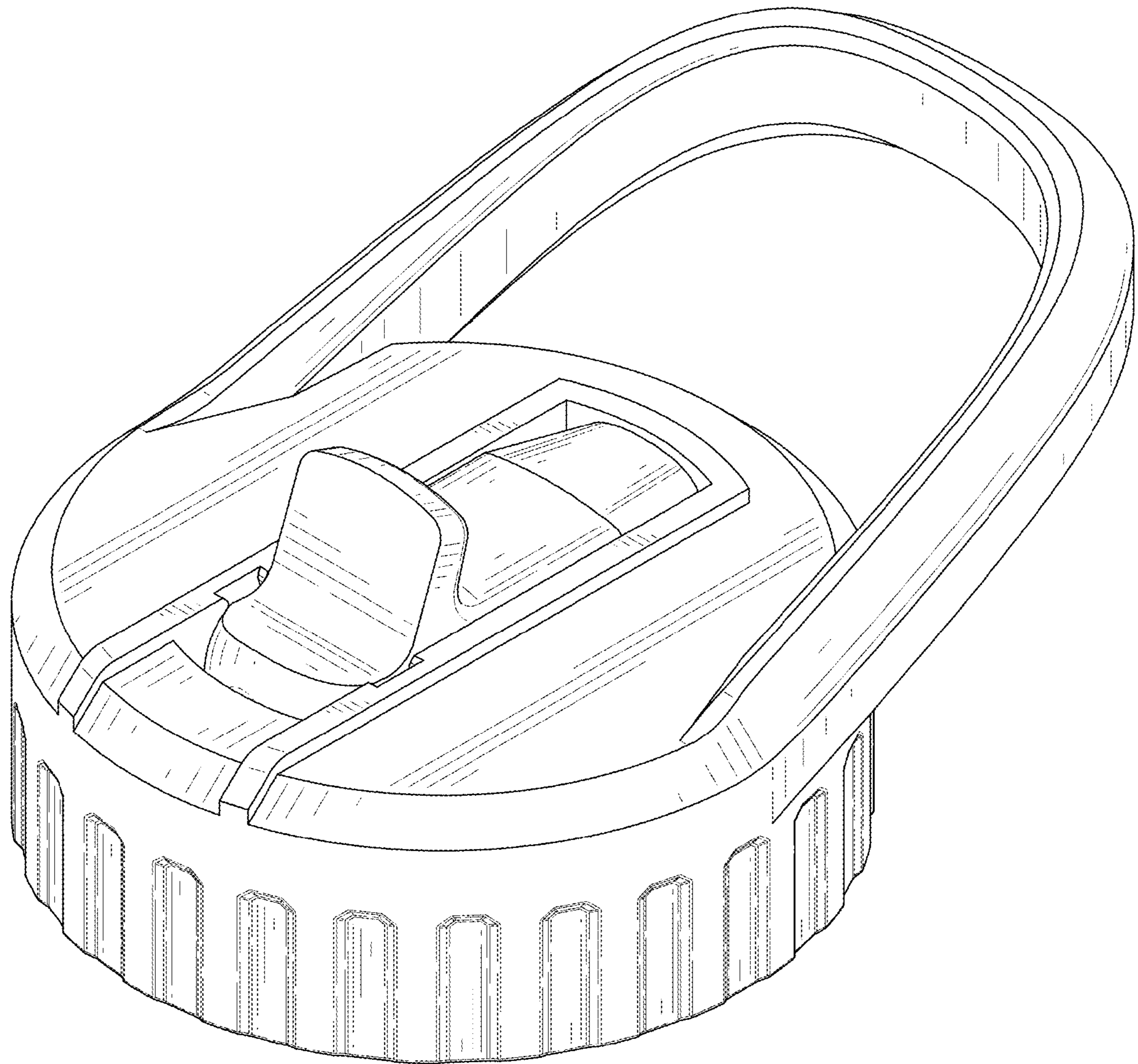


FIG. 1

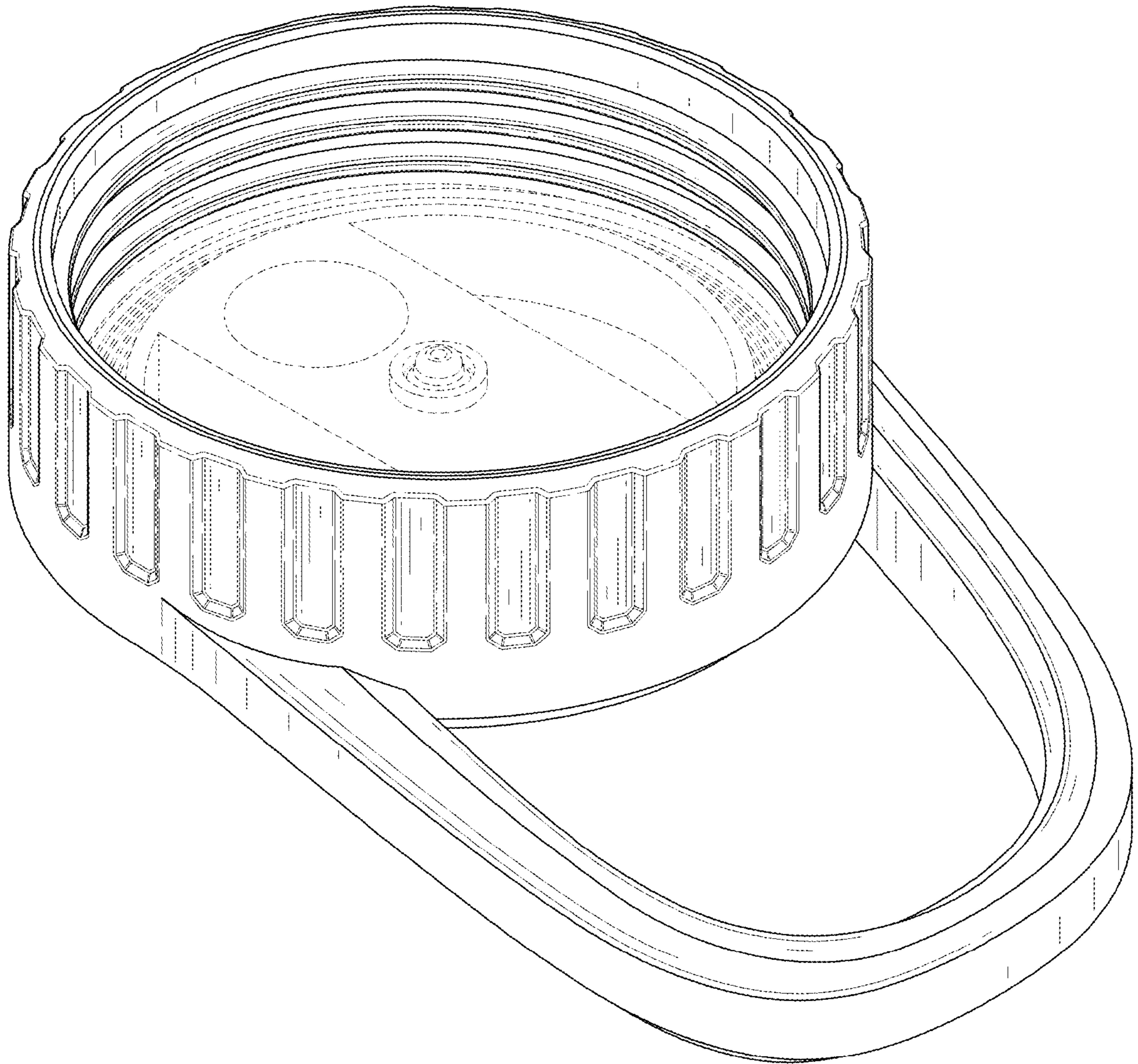


FIG. 2

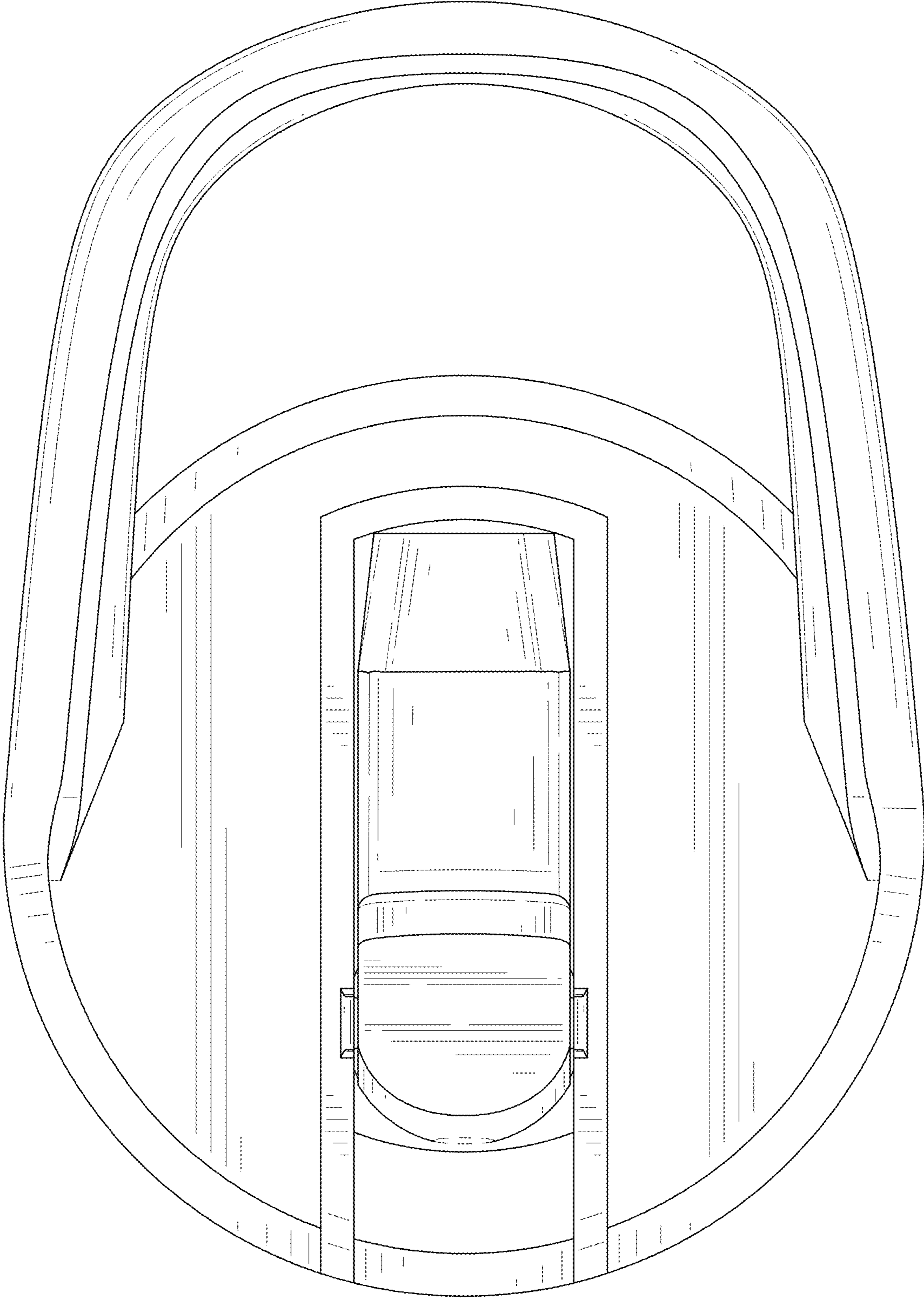


FIG. 3

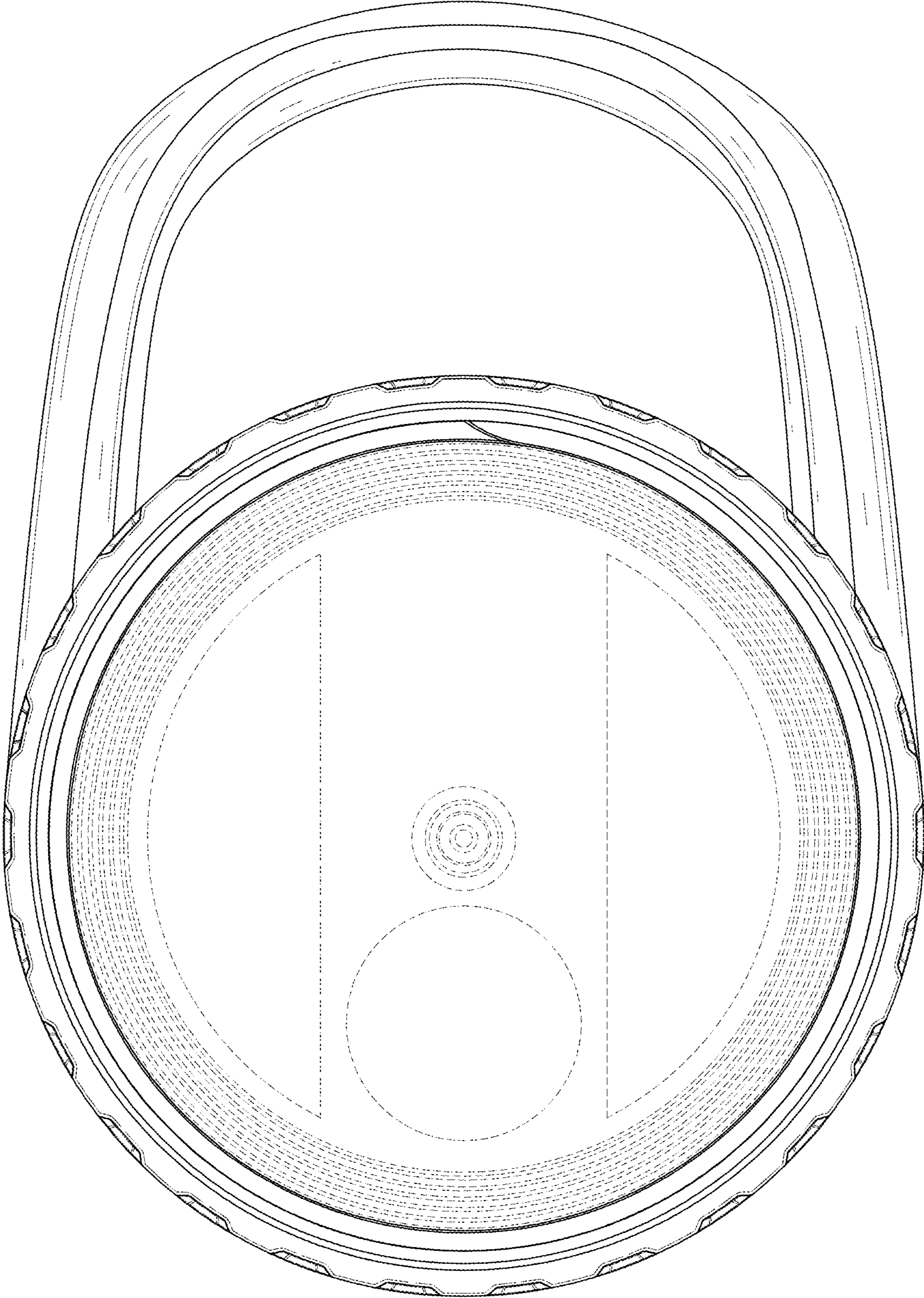


FIG. 4

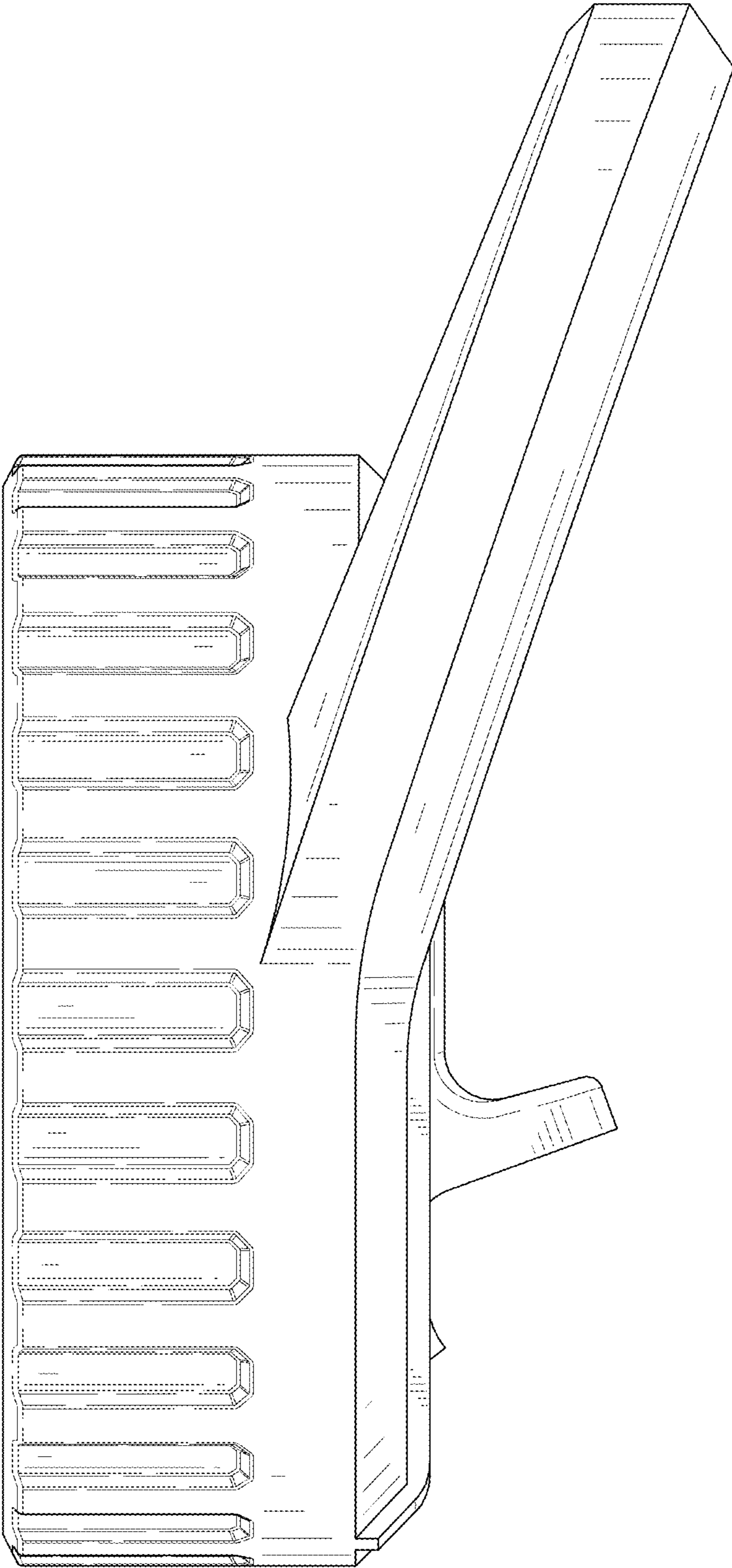


FIG. 5

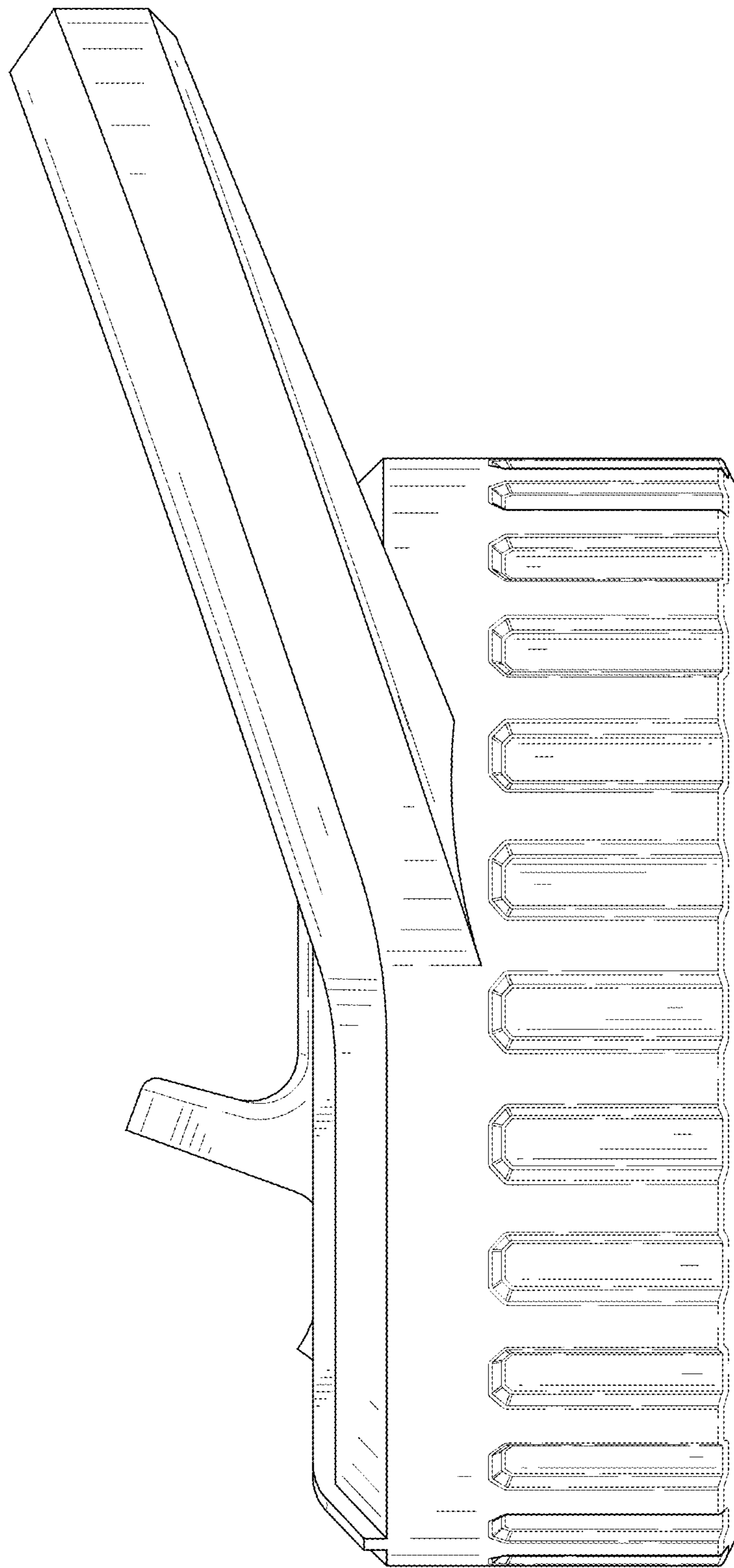


FIG. 6

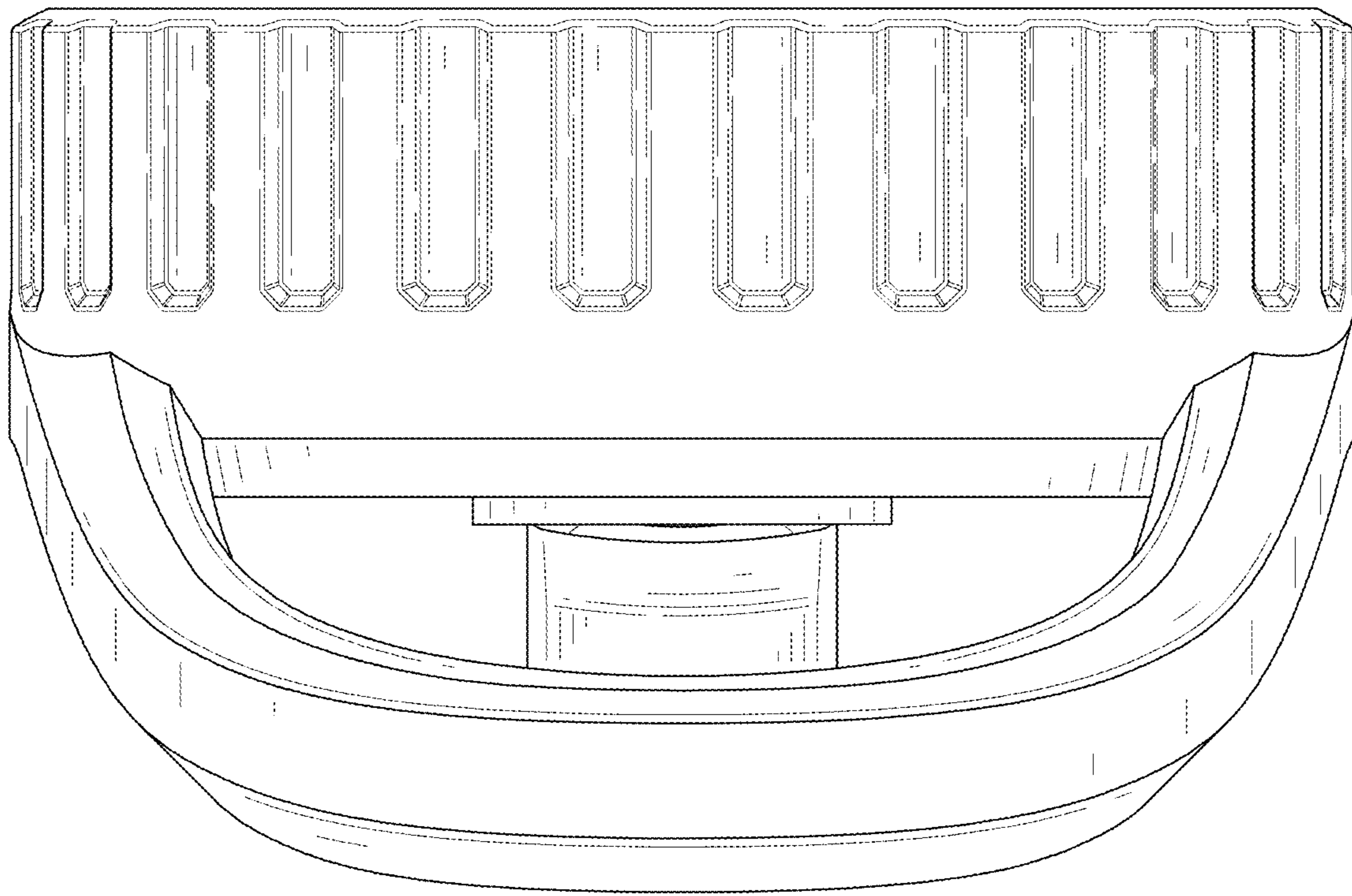


FIG. 7

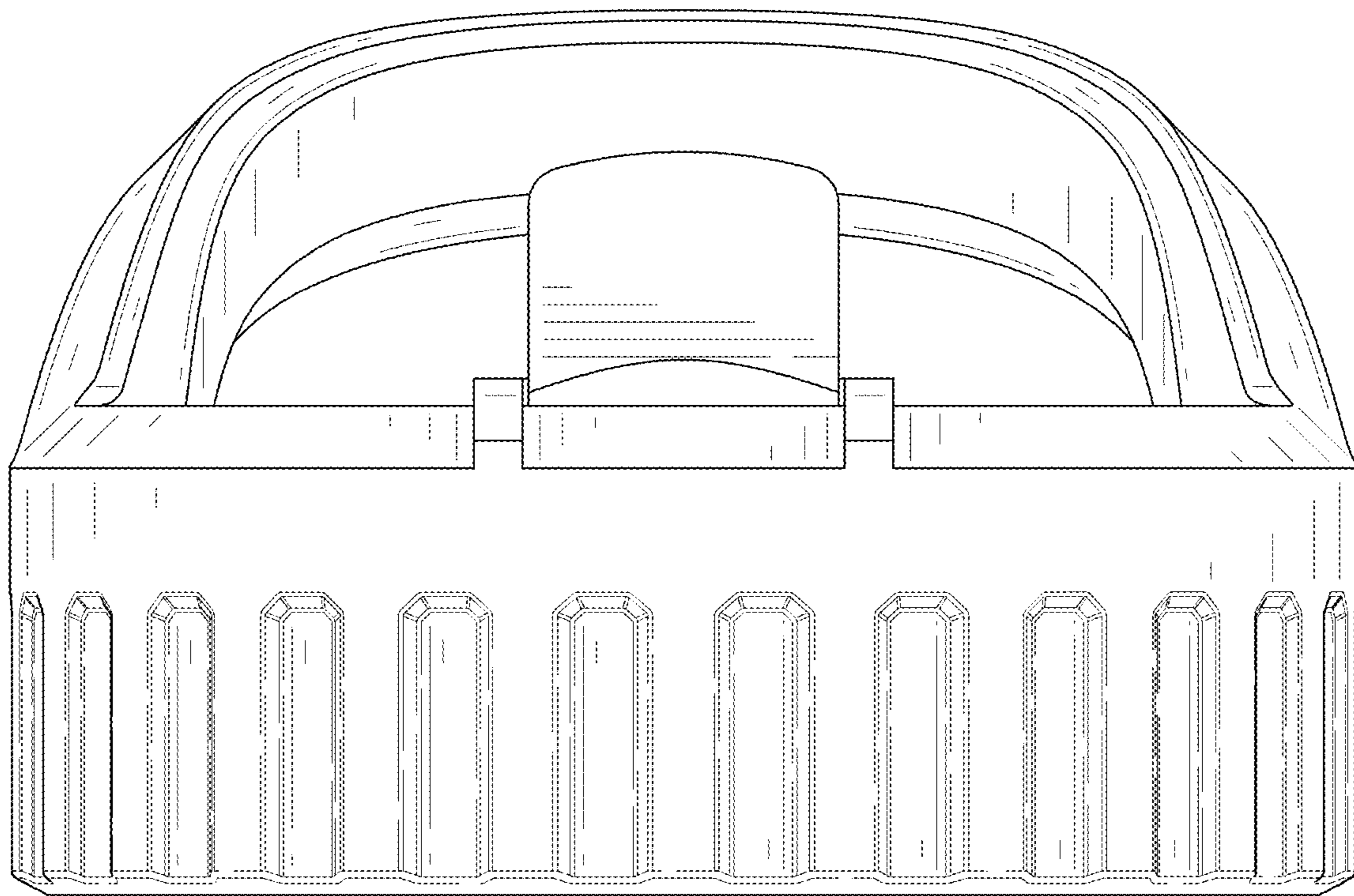


FIG. 8