



US00D897759S

(12) **United States Design Patent**
Benishai

(10) **Patent No.:** **US D897,759 S**

(45) **Date of Patent:** **** Oct. 6, 2020**

- (54) **CONTAINER LID COMPONENT**
- (71) Applicant: **Alon Benishai**, Brooklyn, NY (US)
- (72) Inventor: **Alon Benishai**, Brooklyn, NY (US)
- (**) Term: **15 Years**
- (21) Appl. No.: **29/672,976**
- (22) Filed: **Dec. 11, 2018**
- (51) **LOC (12) Cl.** **07-02**
- (52) **U.S. Cl.**
USPC **D7/391**
- (58) **Field of Classification Search**
USPC D3/203.2; D7/387, 391, 392, 392.1, 393,
D7/397, 601-602, 629-630, 538-542;
D9/414, 424-432, 435, 439, 443,
D9/451-452
CPC A47J 36/027; A47J 36/06; A47J 37/10;
A47J 37/101; A47J 47/08; B65D
21/0209; B65D 25/04; B65D 43/00;
B65D 43/02; B65D 43/0206; B65D
43/022; B65D 43/161; B65D 43/162;
B65D 45/00; B65D 45/16; B65D 45/18;
B65D 51/16; B65D 51/1683; B65D
51/1688; B65D 51/1694; B65D 2251/00;
B65F 1/1615; F16J 15/027
See application file for complete search history.

D646,127	S	*	10/2011	Lindsay	D7/629
D675,057	S	*	1/2013	Harvey	D7/391
D677,116	S	*	3/2013	Smyers	D7/391
8,733,550	B2	*	5/2014	Harvey	F16J 15/027 206/508
D733,503	S	*	7/2015	Bagley	D7/629
D746,101	S	*	12/2015	Manley	D7/387
D754,538	S	*	4/2016	Roesler	D9/443
D825,284	S	*	8/2018	Morales	D7/629
D828,754	S	*	9/2018	Liu	D9/439
10,105,014	B2	*	10/2018	Bagley	A47J 47/08
2014/0103033	A1	*	4/2014	Beckman	B65D 43/0212 220/4.01

* cited by examiner

Primary Examiner — Ricky Pham

(74) *Attorney, Agent, or Firm* — Wood Herron & Evans
LLP

(57) **CLAIM**

The ornamental design for a container lid component, as shown and described.

DESCRIPTION

FIG. 1 is a front left perspective view of a container lid component according to the present invention.

FIG. 2 is a front view thereof; and,

FIG. 3 is a top view thereof.

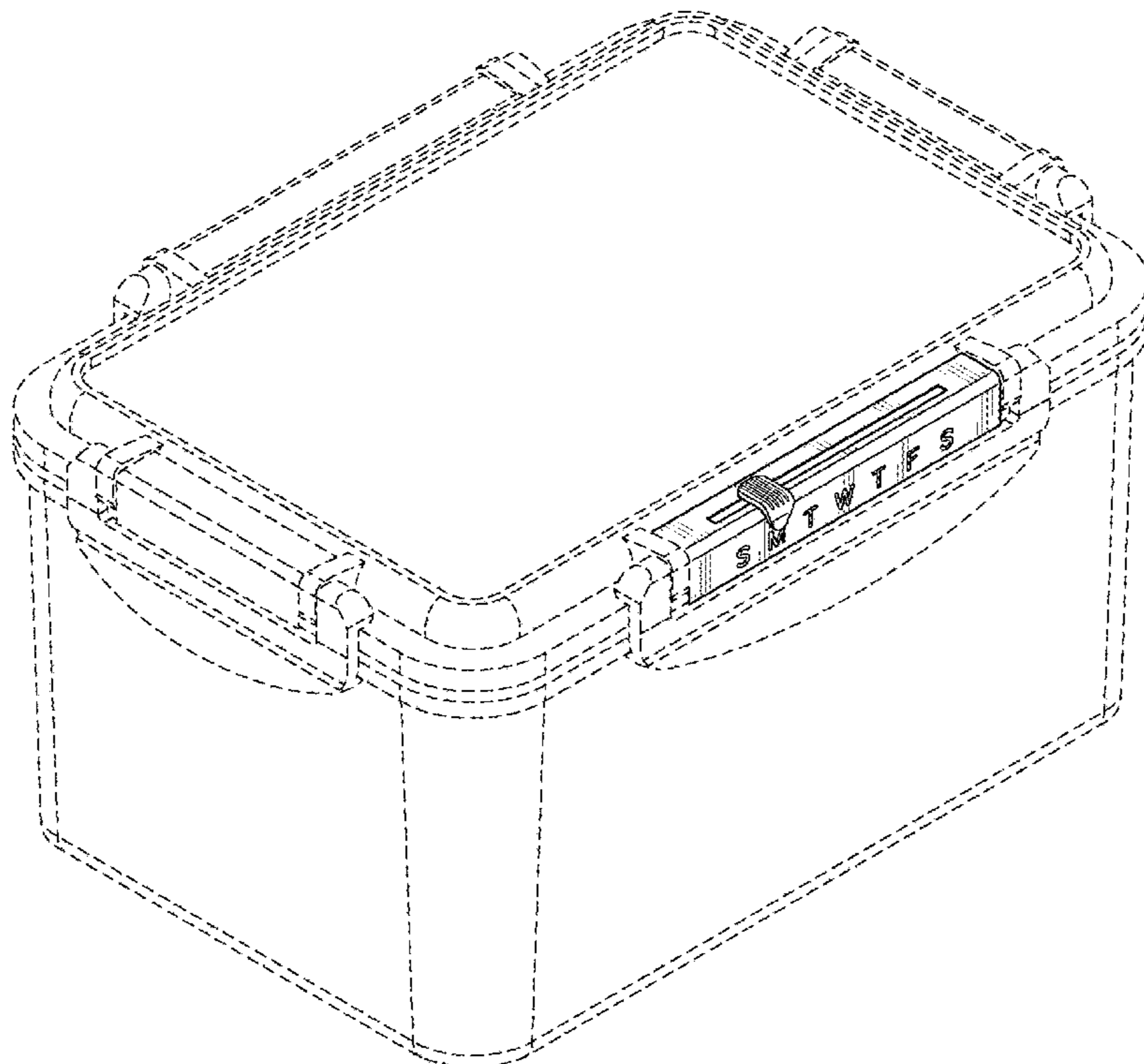
The dash lines are shown to illustrate environmental aspects of the invention and these portions form no part of the claimed invention.

(56) **References Cited**

U.S. PATENT DOCUMENTS

D487,342	S	*	3/2004	Yewdall	D3/203.2
D521,812	S	*	5/2006	Kim	D7/629

1 Claim, 3 Drawing Sheets



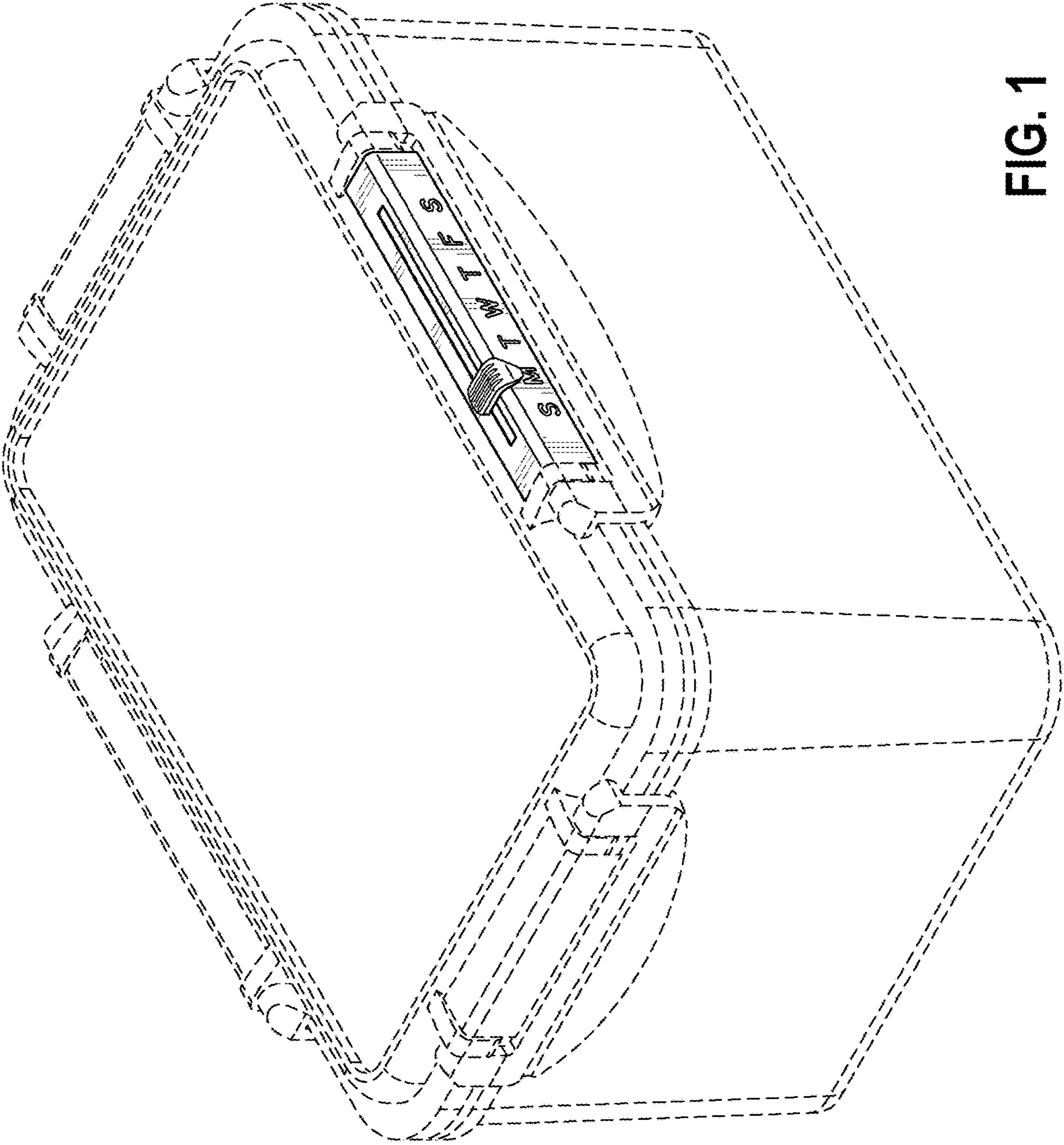


FIG. 1

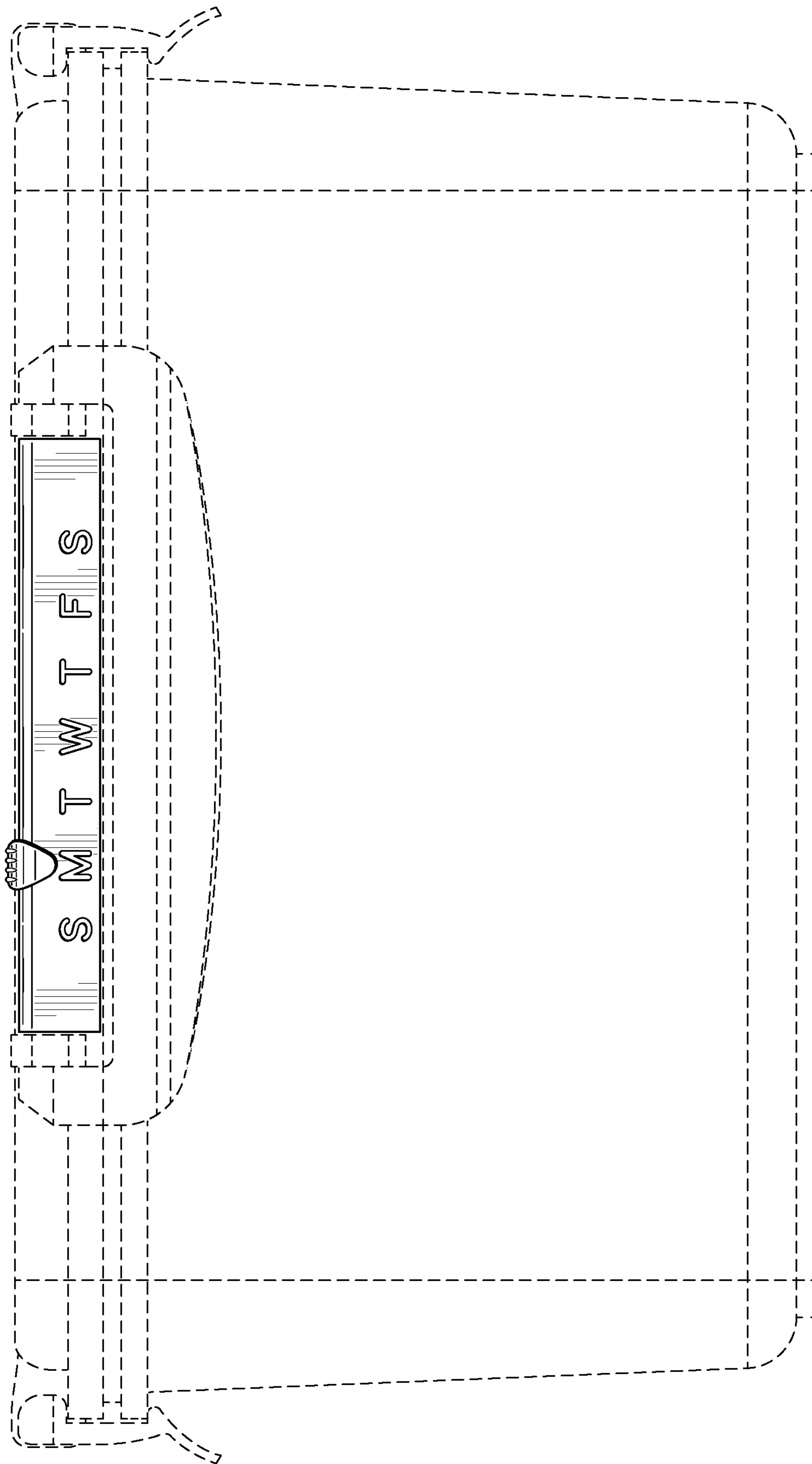


FIG. 2

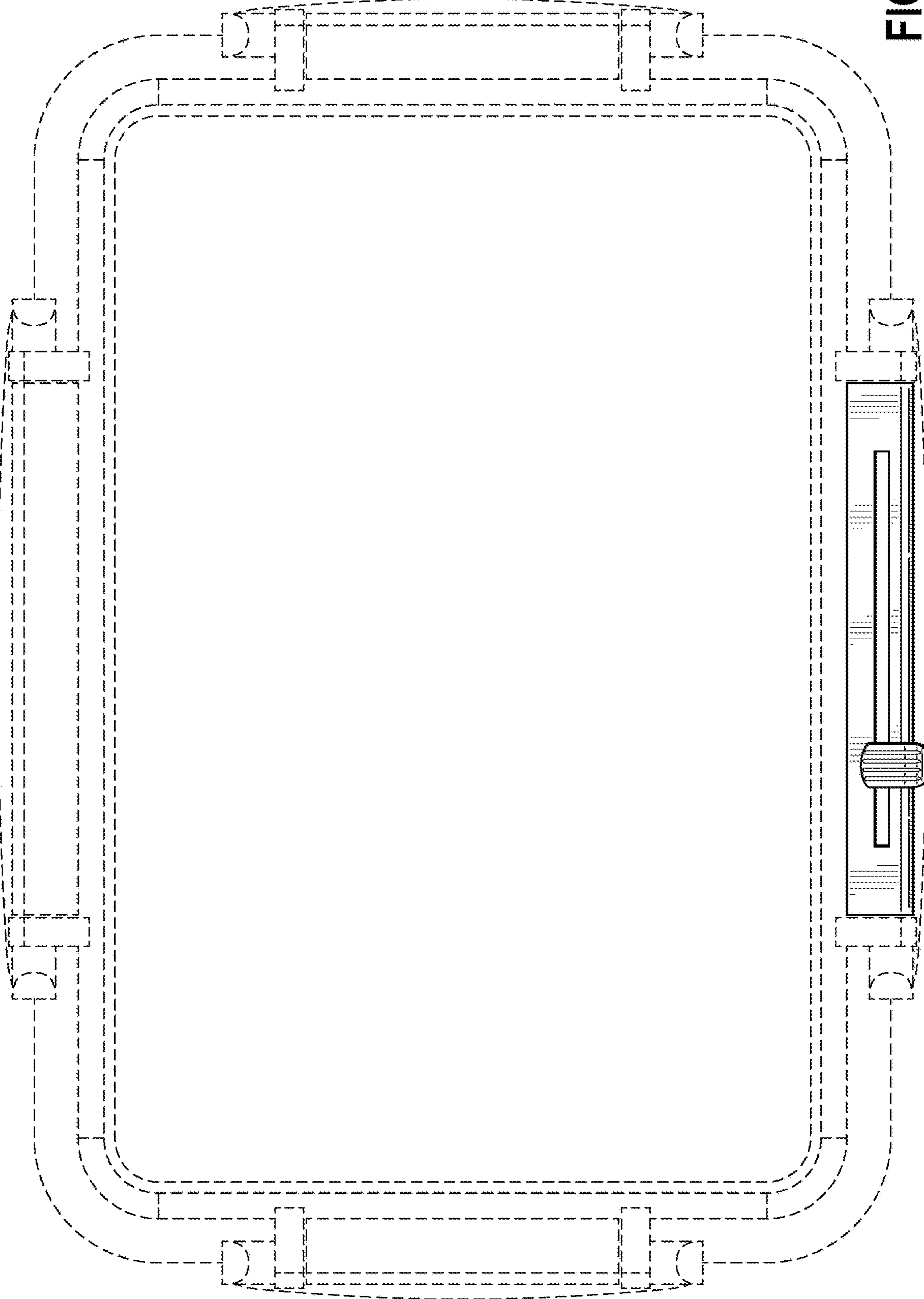


FIG. 3