



US00D897758S

(12) **United States Design Patent** (10) **Patent No.:** **US D897,758 S**
Finnance (45) **Date of Patent:** **** Oct. 6, 2020**

(54) **BLENDER WITH VESSEL**

(71) Applicant: **Capbran Holdings, LLC**, Los Angeles, CA (US)

(72) Inventor: **Robert Finnance**, Los Angeles, CA (US)

(73) Assignee: **Capbran Holdings, LLC**, Los Angeles, CA (US)

(**) Term: **15 Years**

(21) Appl. No.: **29/682,407**

(22) Filed: **Mar. 5, 2019**

(51) **LOC (12) Cl.** **31-00**

(52) **U.S. Cl.**
USPC **D7/378**

(58) **Field of Classification Search**
USPC D7/306, 309, 372, 374, 376, 377, 378,
D7/379, 380, 381, 383, 384, 385, 386,
D7/412, 413, 598, 694, 669, 679
(Continued)

(56) **References Cited**

U.S. PATENT DOCUMENTS

D400,757 S * 11/1998 Hippen D7/378
D404,247 S * 1/1999 Spagnolo D7/378
(Continued)

FOREIGN PATENT DOCUMENTS

JP D1656625 * 2/2019

OTHER PUBLICATIONS

NutriBullet ZNBF30500Z Blender Combo, announced Jul. 25, 2019 [online], retrieved Jun. 30, 2020, retrieved from internet, https://www.amazon.com/NutriBullet-ZNBF30500Z-Blender-Combo-1200W/dp/B07VNN6SMD/ref=cm_cr_arp_d_product_top?ie=UTF8.*

(Continued)

Primary Examiner — Dana K Weiland
Assistant Examiner — Messina L Smith

(74) *Attorney, Agent, or Firm* — Trojan Law Offices

(57) **CLAIM**

The ornamental design for a blender with vessel, as shown and described.

DESCRIPTION

FIG. 1 is a top front perspective view of a blender with vessel showing the new design;
FIG. 2 is a front view of the blender with vessel;
FIG. 3 is a rear view of the blender with vessel;
FIG. 4 is a left side view of the blender with vessel;
FIG. 5 is a right side view of the blender with vessel;
FIG. 6 is a top view of the blender with vessel;
FIG. 7 is a bottom view of the blender with vessel;
FIG. 8 is a top front perspective view of the base of the blender with vessel shown separately to show aspects of the design that are not visible when combined;
FIG. 9 is a front view of the base of the blender with vessel shown separately to show aspects of the design that are not visible when combined;
FIG. 10 is a rear view of the base of the blender with vessel shown separately to show aspects of the design that are not visible when combined;
FIG. 11 is a left side view of the base of the blender with vessel shown separately to show aspects of the design that are not visible when combined;
FIG. 12 is a right side view of the base of the blender with vessel shown separately to show aspects of the design that are not visible when combined;
FIG. 13 is a top view of the base of the blender with vessel shown separately to show aspects of the design that are not visible when combined;
FIG. 14 is a bottom view of the base of the blender with vessel shown separately to show aspects of the design that are not visible when combined;
FIG. 15 is a top front perspective view of the vessel of the blender with vessel shown separately to show aspects of the design that are not visible when combined;

(Continued)

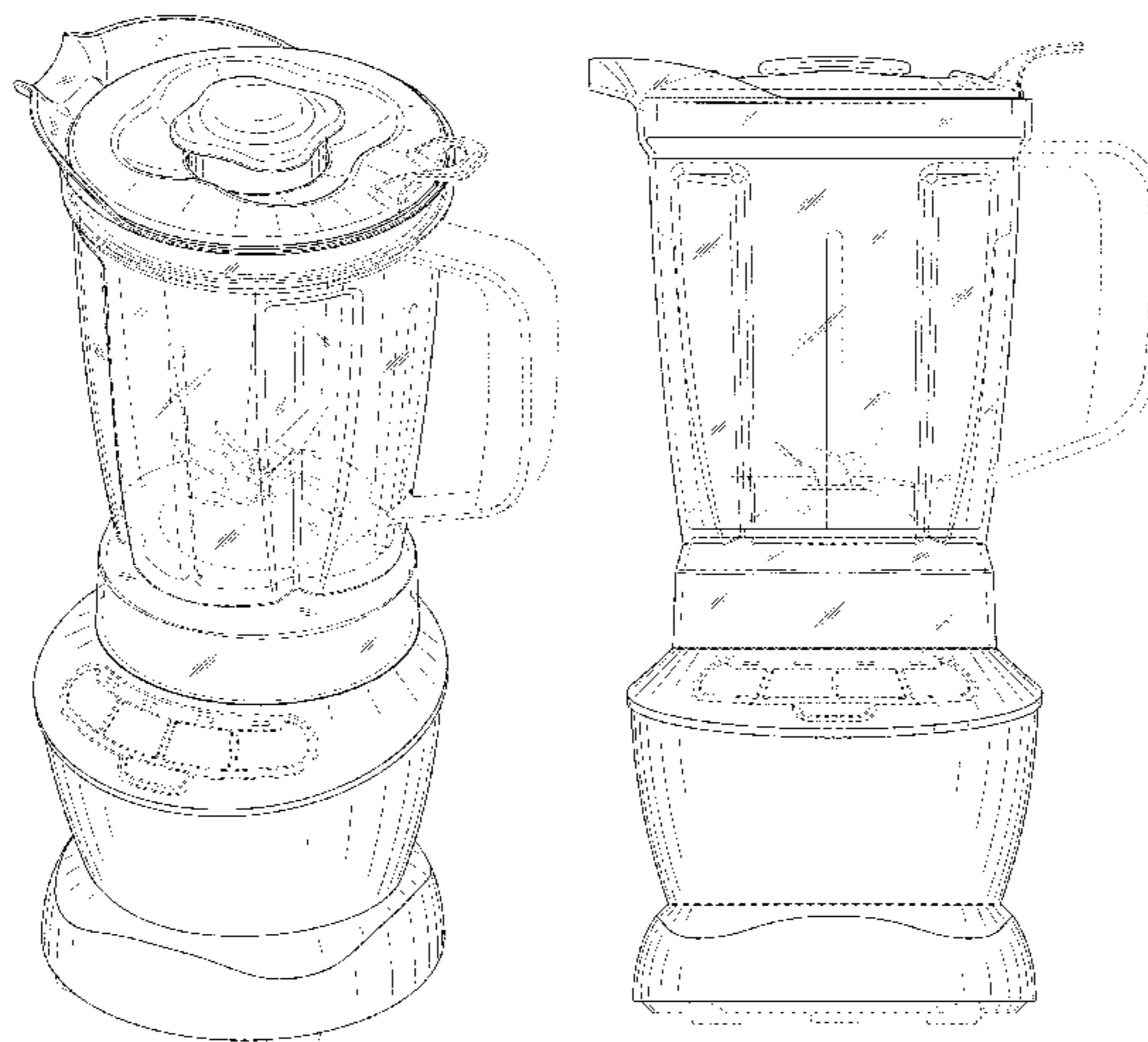


FIG. 16 is a bottom front perspective view of the vessel of the blender with vessel shown separately to show aspects of the design that are not visible when combined;

FIG. 17 is a left side view of the vessel of the blender with vessel shown separately to show aspects of the design that are not visible when combined;

FIG. 18 is a right side view of the vessel of the blender with vessel shown separately to show aspects of the design that are not visible when combined;

FIG. 19 is a front view of the vessel of the blender with vessel shown separately to show aspects of the design that are not visible when combined;

FIG. 20 is a rear view of the vessel of the blender with vessel shown separately to show aspects of the design that are not visible when combined;

FIG. 21 is a top view of the vessel of the blender with vessel shown separately to show aspects of the design that are not visible when combined;

FIG. 22 is a bottom view of the vessel of the blender with vessel shown separately to show aspects of the design that are not visible when combined;

FIG. 23 is a top front perspective view of the lid of the blender with vessel shown separately to show aspects of the design that are not visible when combined;

FIG. 24 is a bottom rear perspective view of the lid of the blender with vessel shown separately to show aspects of the design that are not visible when combined;

FIG. 25 is a left side view of the lid of the blender with vessel shown separately to show aspects of the design that are not visible when combined;

FIG. 26 is a right side view of the lid of the blender with vessel shown separately to show aspects of the design that are not visible when combined;

FIG. 27 is a front view of the lid of the blender with vessel shown separately to show aspects of the design that are not visible when combined;

FIG. 28 is a top view of the lid of the blender with vessel shown separately to show aspects of the design that are not visible when combined; and,

FIG. 29 is bottom view of the lid of the blender with vessel shown separately to show aspects of the design that are not visible when combined;

FIG. 30 is a top, front perspective view of the cap of the blender with vessel shown separately to show aspects of the design that are not visible when combined;

FIG. 31 is a bottom perspective view of the cap of the blender with vessel shown separately to show aspects of the design that are not visible when combined;

FIG. 32 is a front view of the cap of the blender with vessel shown separately to show aspects of the design that are not visible when combined, the rear view being identical;

FIG. 33 is a left side view of the cap of the blender with vessel shown separately to show aspects of the design that are not visible when combined, the right side view being identical;

FIG. 34 is a top view thereof; and,

FIG. 35 is a bottom view thereof.

The broken lines in the drawings depict portions of the blender with vessel that form no part of the claimed design.

1 Claim, 20 Drawing Sheets

(58) **Field of Classification Search**

CPC .. A47J 43/04; A47J 43/25; A47J 43/27; A47J 43/042; A47J 43/044; A47J 43/046; A47J 43/075; A47J 43/0722; A47J 43/0727; A47J 42/40; A21C 1/02; A21C 1/04; A23G 9/045; A23N 1/00; A23N 1/02; B01F 3/00; B01F 3/0807; B01F 3/0853; B01F 13/0059; B01F 13/0064; B02C 1/08; B02C 2/04; B02C 4/42; B02C 4/142; B02C 4/143; B02C 4/423; B02C 13/1835; B28C 5/10; B28C 5/12; B28C 5/14; B28C 5/16

See application file for complete search history.

(56) **References Cited**

U.S. PATENT DOCUMENTS

D448,967	S *	10/2001	Planca	D7/378
D451,756	S *	12/2001	Deros	D7/378
D466,362	S *	12/2002	Moore	D7/378
D466,759	S *	12/2002	Moore	D7/378
D473,100	S *	4/2003	Sakai	D7/378
D528,363	S *	9/2006	Ulanski	D7/413
D530,565	S *	10/2006	Grcic	D7/378
D533,020	S *	12/2006	Kassenaar	D7/378
7,318,666	B1 *	1/2008	Lin	A47J 43/0766 241/37.5
D625,141	S *	10/2010	Moore	D7/376
D821,142	S *	6/2018	Ulanski	D7/413
D839,670	S *	2/2019	Youngmann	D7/413
D882,331	S *	4/2020	Miller	D7/378
D888,494	S *	6/2020	Finnance	D7/413
2006/0028912	A1 *	2/2006	Lee	A47J 43/0761 366/206
2006/0261066	A1 *	11/2006	Boozer	A47J 43/0727 220/254.7
2007/0147171	A1 *	6/2007	Reyes	A47J 43/0716 366/205
2008/0212403	A1 *	9/2008	Garman	A47J 43/0727 366/205
2010/0135109	A1 *	6/2010	Drees	A47J 43/085 366/274
2011/0013478	A1 *	1/2011	Athey	A47J 43/0766 366/205
2011/0248108	A1 *	10/2011	Carriere	A47J 43/0772 241/33
2012/0067991	A1 *	3/2012	Wu	A47J 43/042 366/205
2015/0098299	A1 *	4/2015	Sapire	A47J 43/27 366/205
2016/0158719	A1 *	6/2016	Gushwa	A47J 43/0766 241/285.1
2019/0117013	A1 *	4/2019	Kim	A47J 36/24

OTHER PUBLICATIONS

Capital Brands Positions Updated Nutribullet Assortment, announced Sep. 19, 2019 [online], retrieved Jun. 30, 2020, retrieved from internet, <https://www.homeworldbusiness.com/capital-brands-positions-updated-nutribullet-assortment/>.*

Nutribullet Blender Combo, announced © 2019 [online], retrieved Jun. 30, 2020, retrieved from internet, https://thegoodguys.sirv.com/Content/2020FY/Manuals/50067139_Nutribullet.pdf.*

* cited by examiner

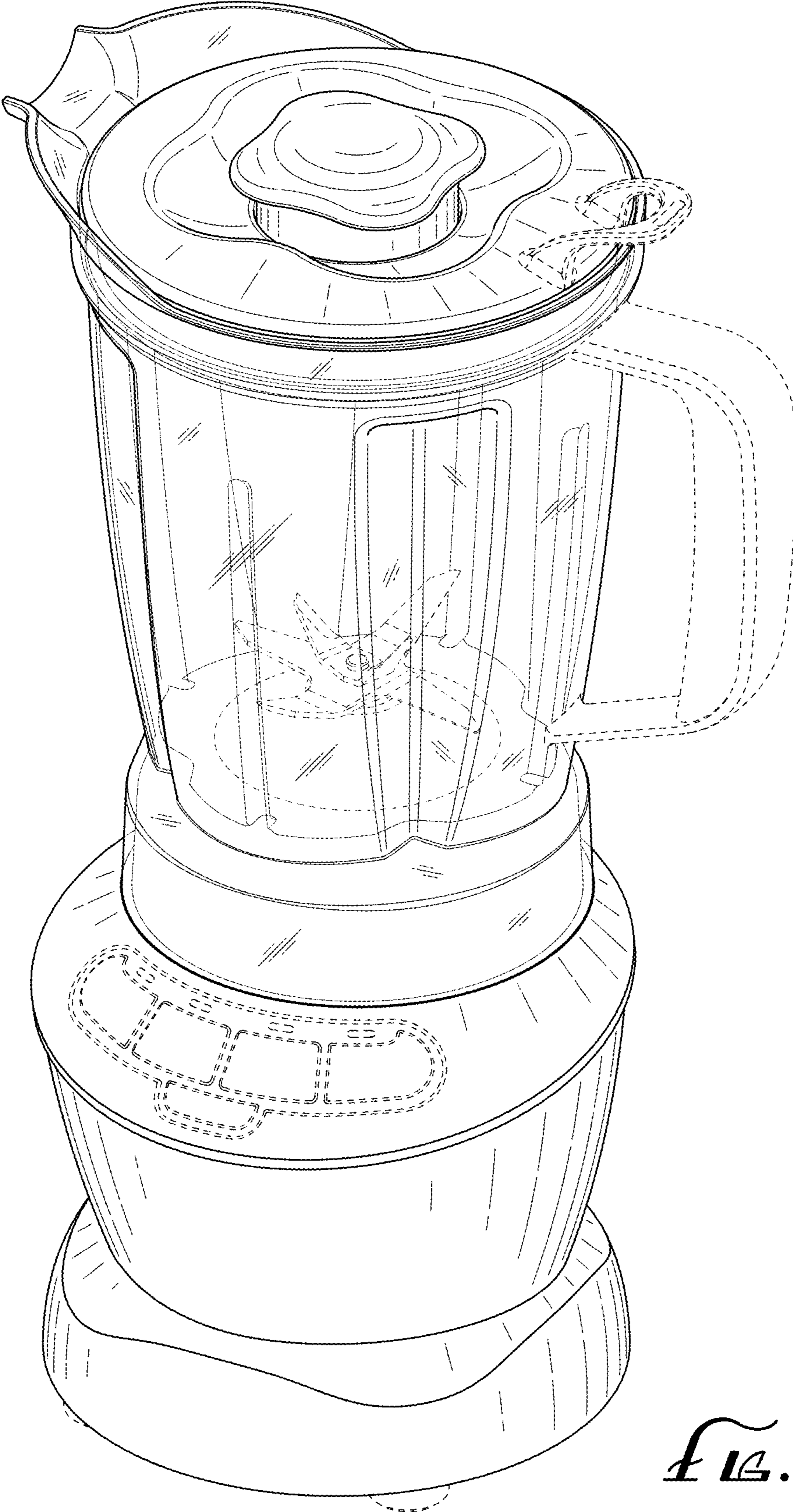


FIG. 1

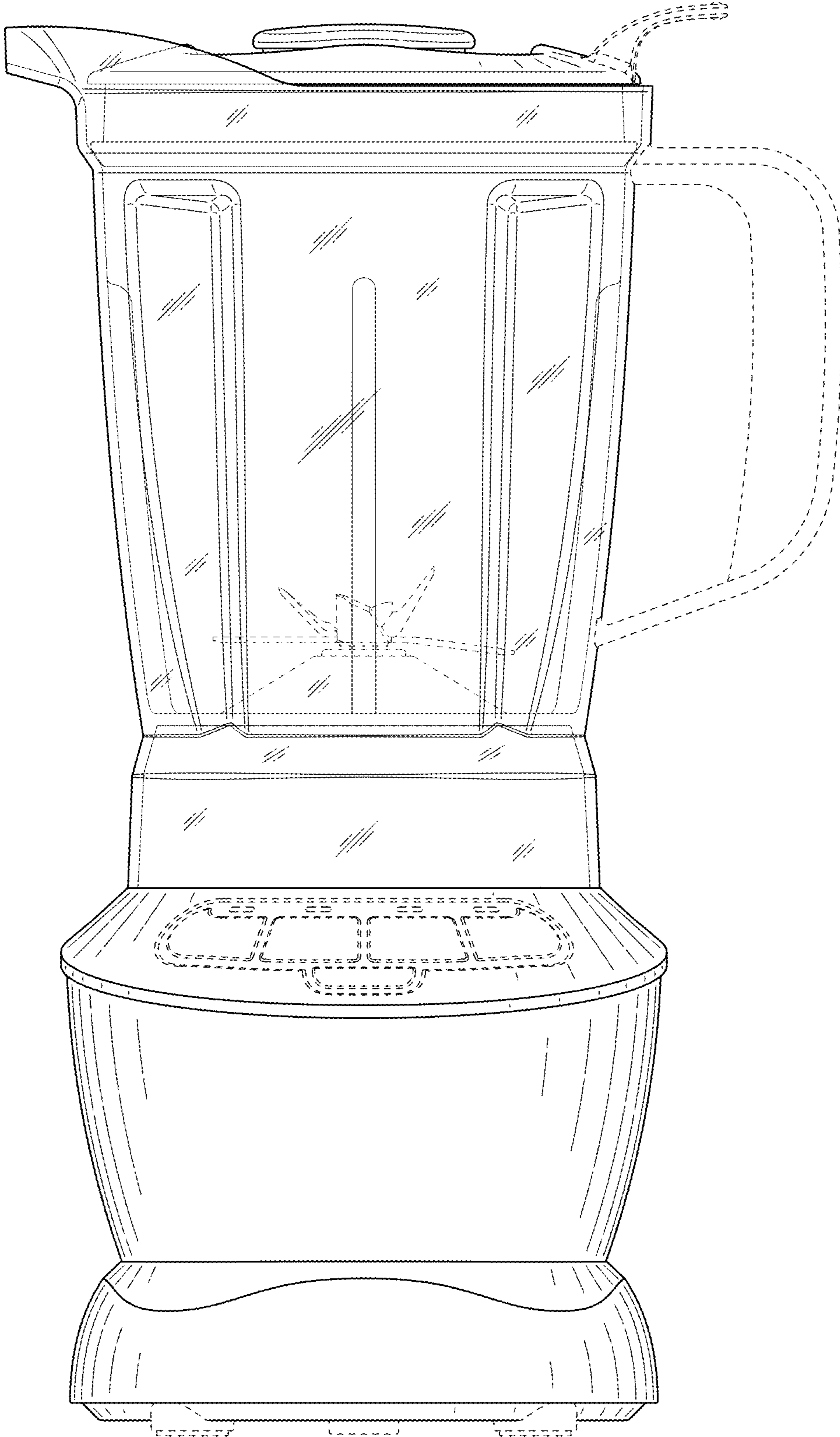


FIG. 2

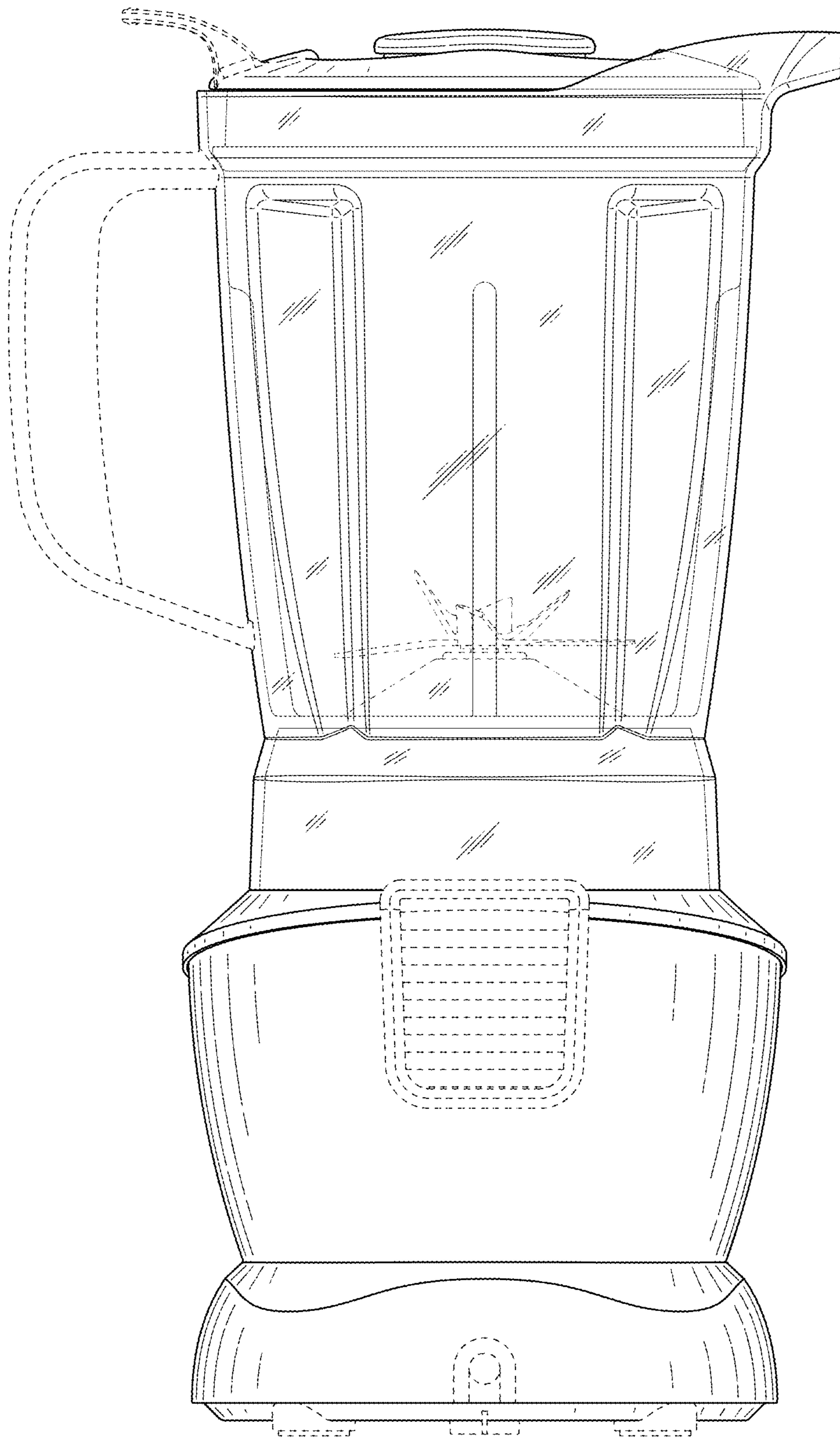


FIG. 3

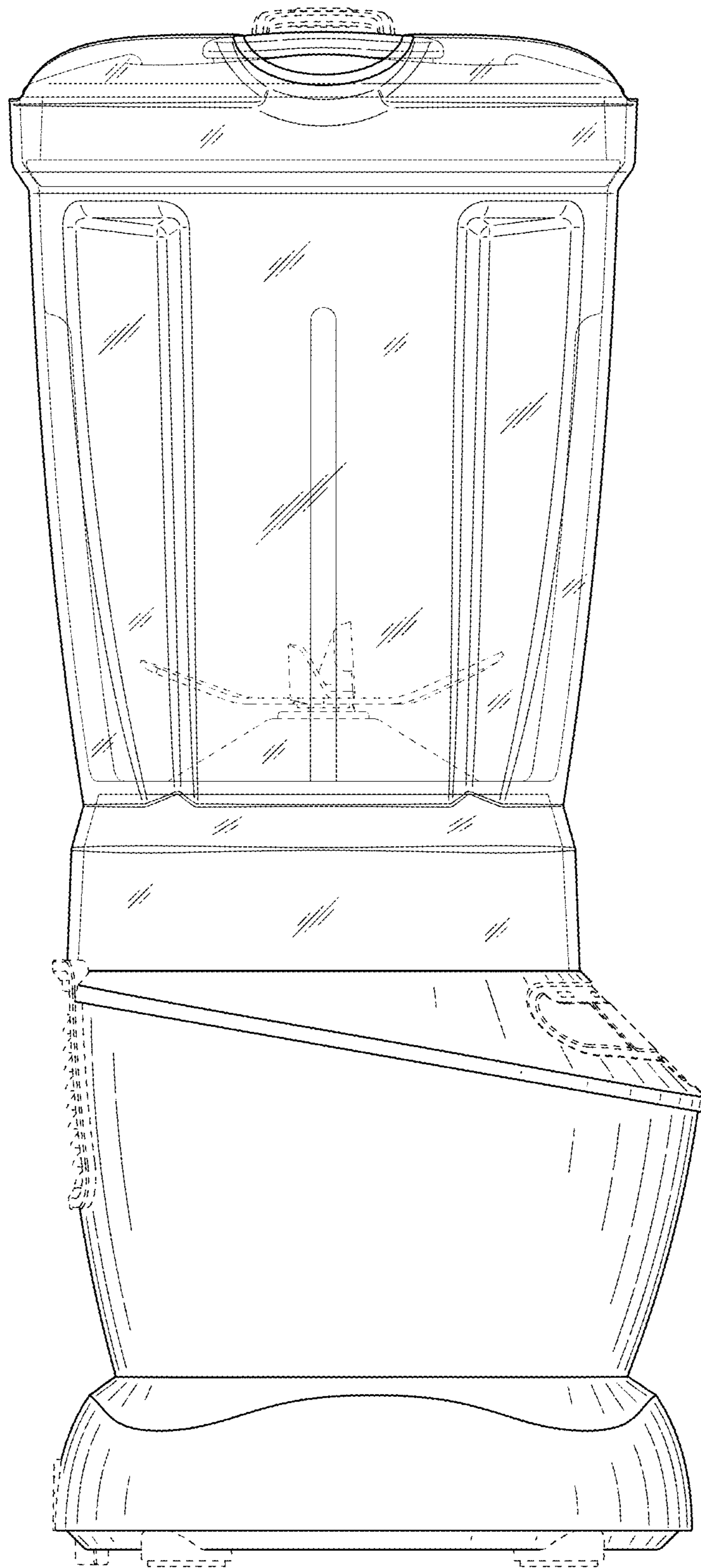


FIG. 4

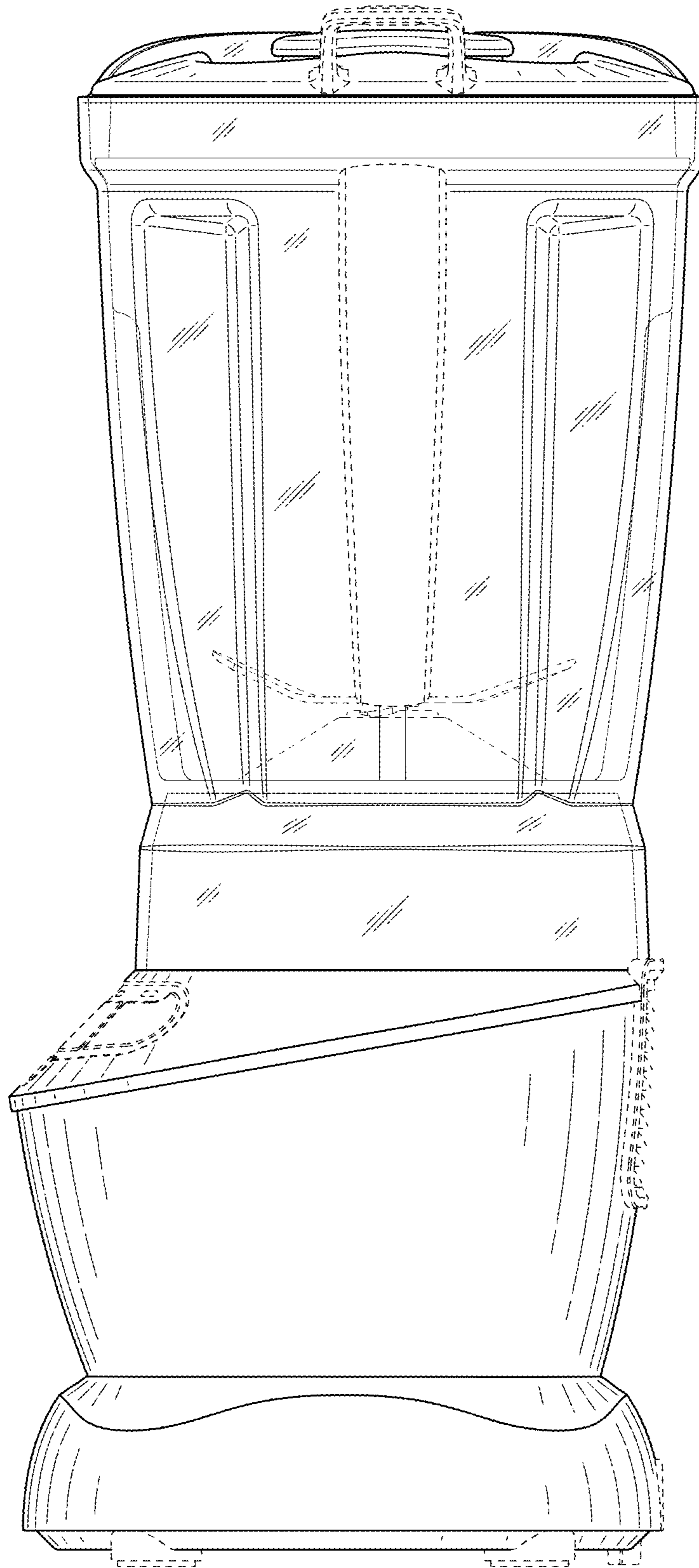


FIG. 5

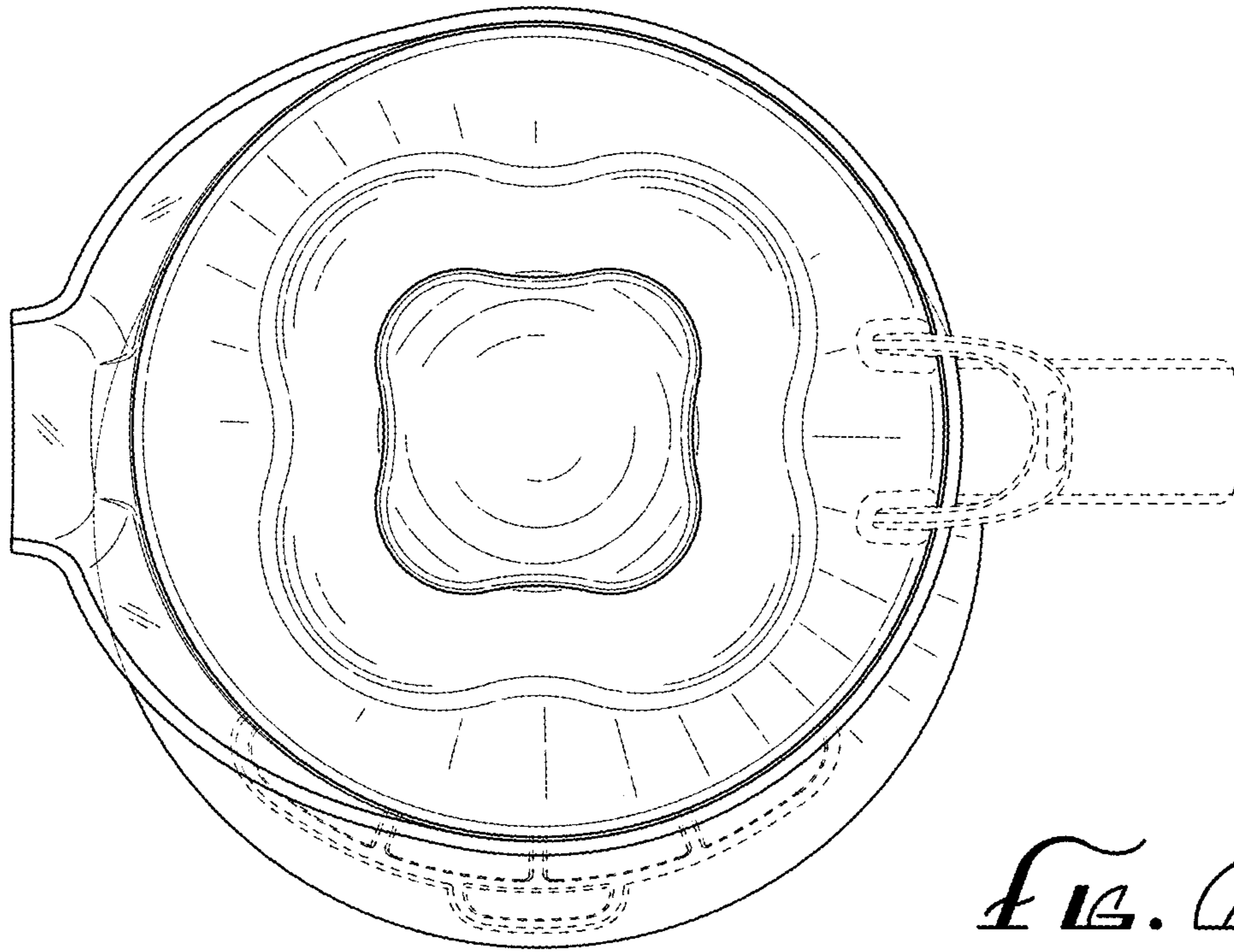


FIG. 6

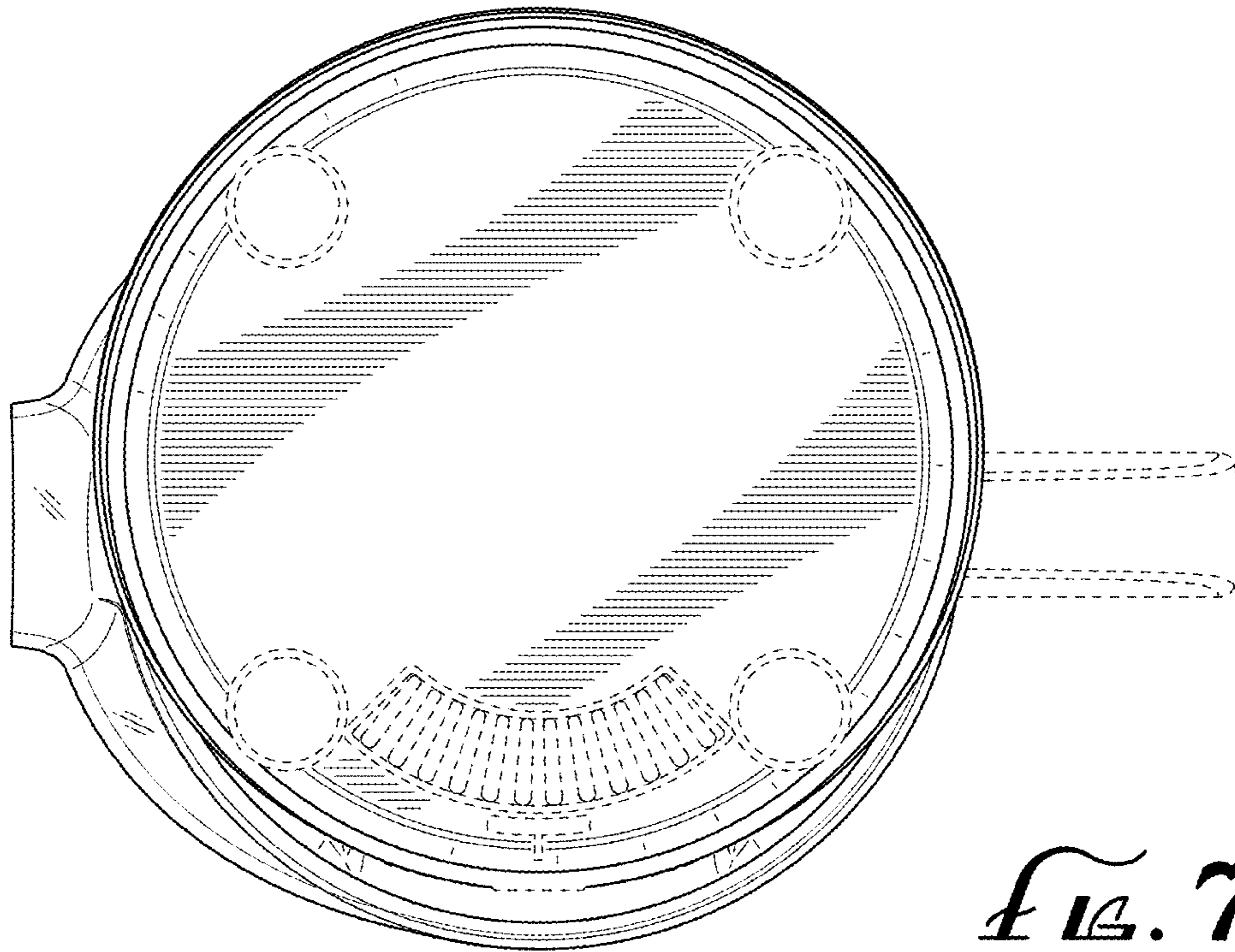


FIG. 7

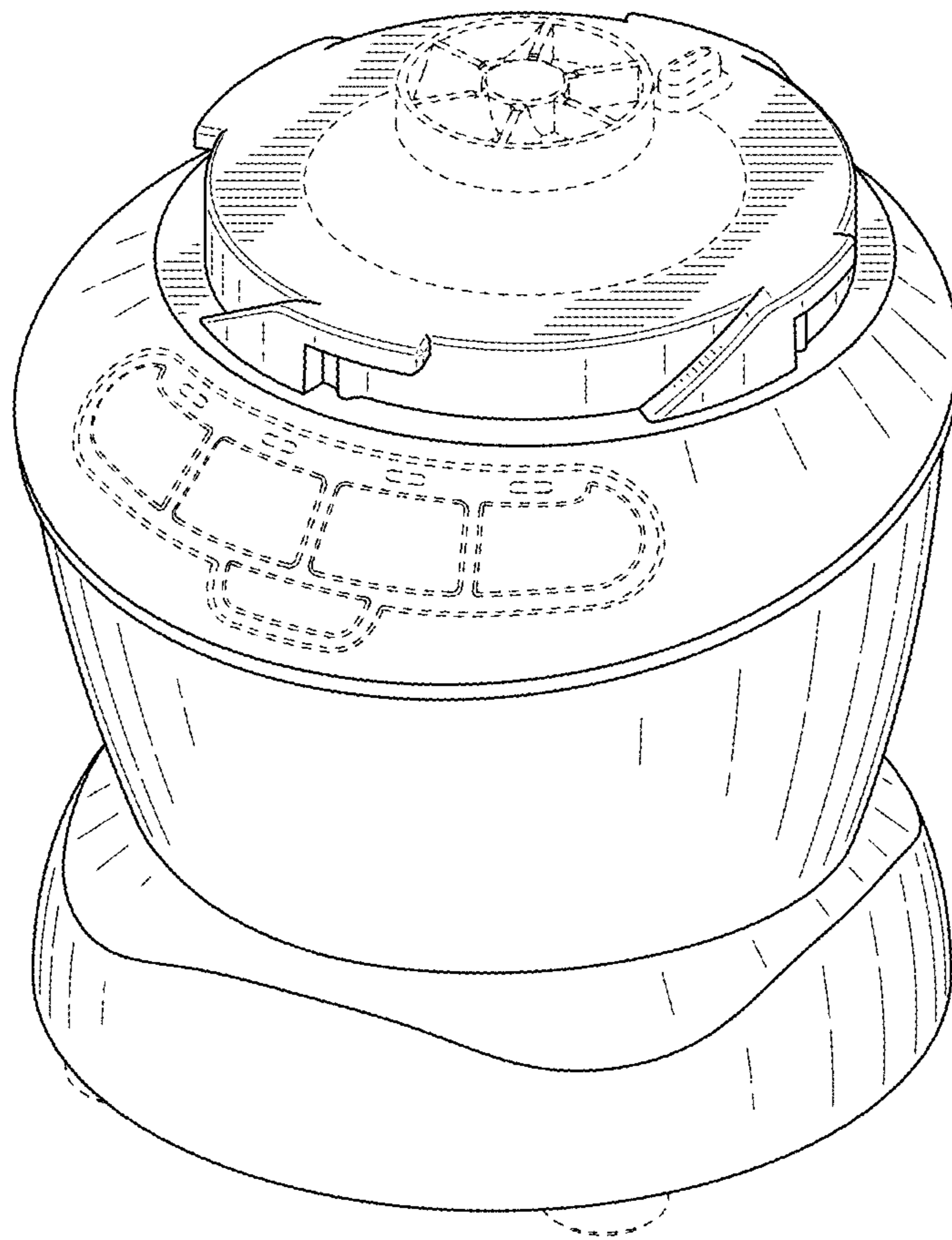


FIG. 8

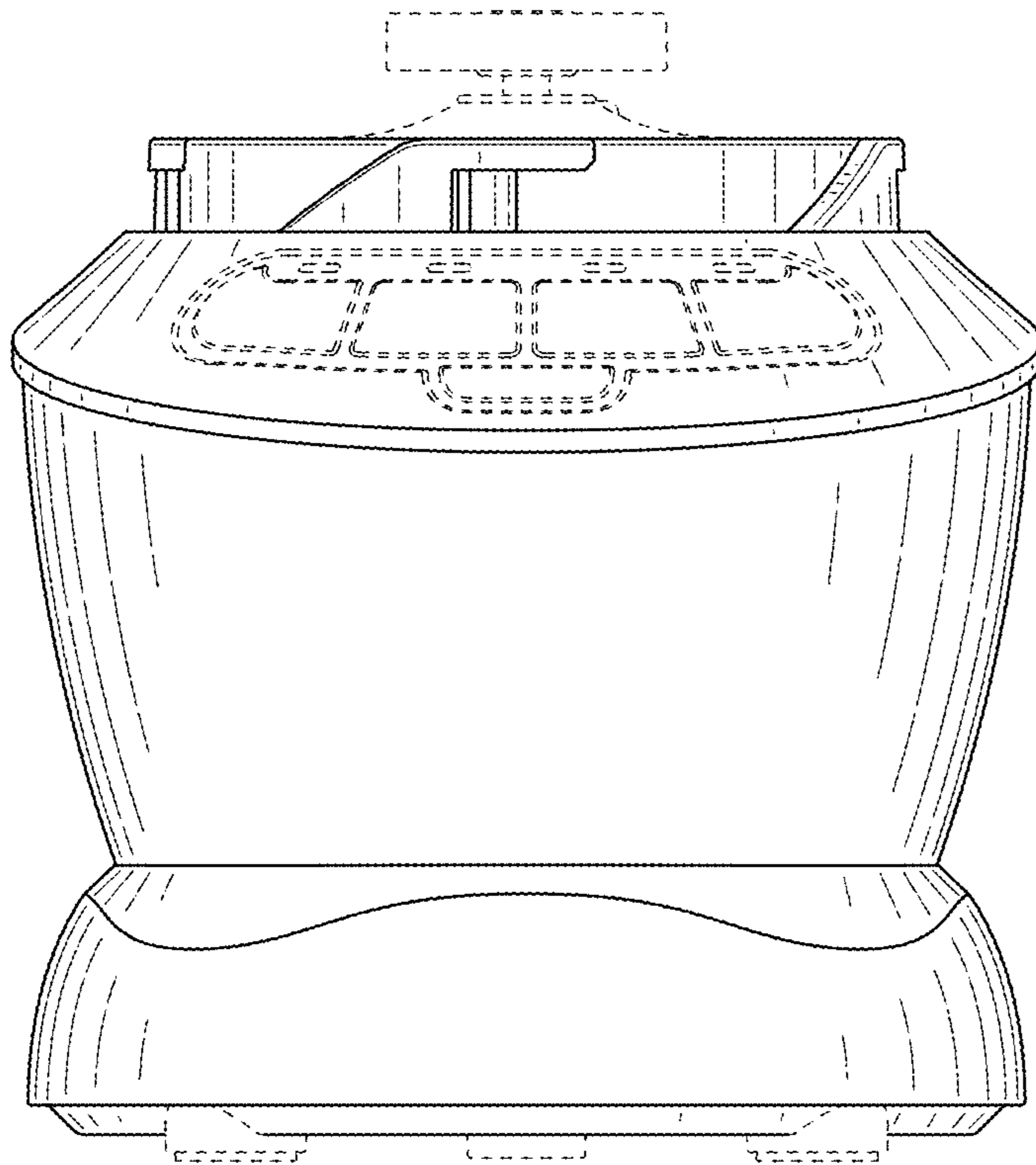


FIG. 9

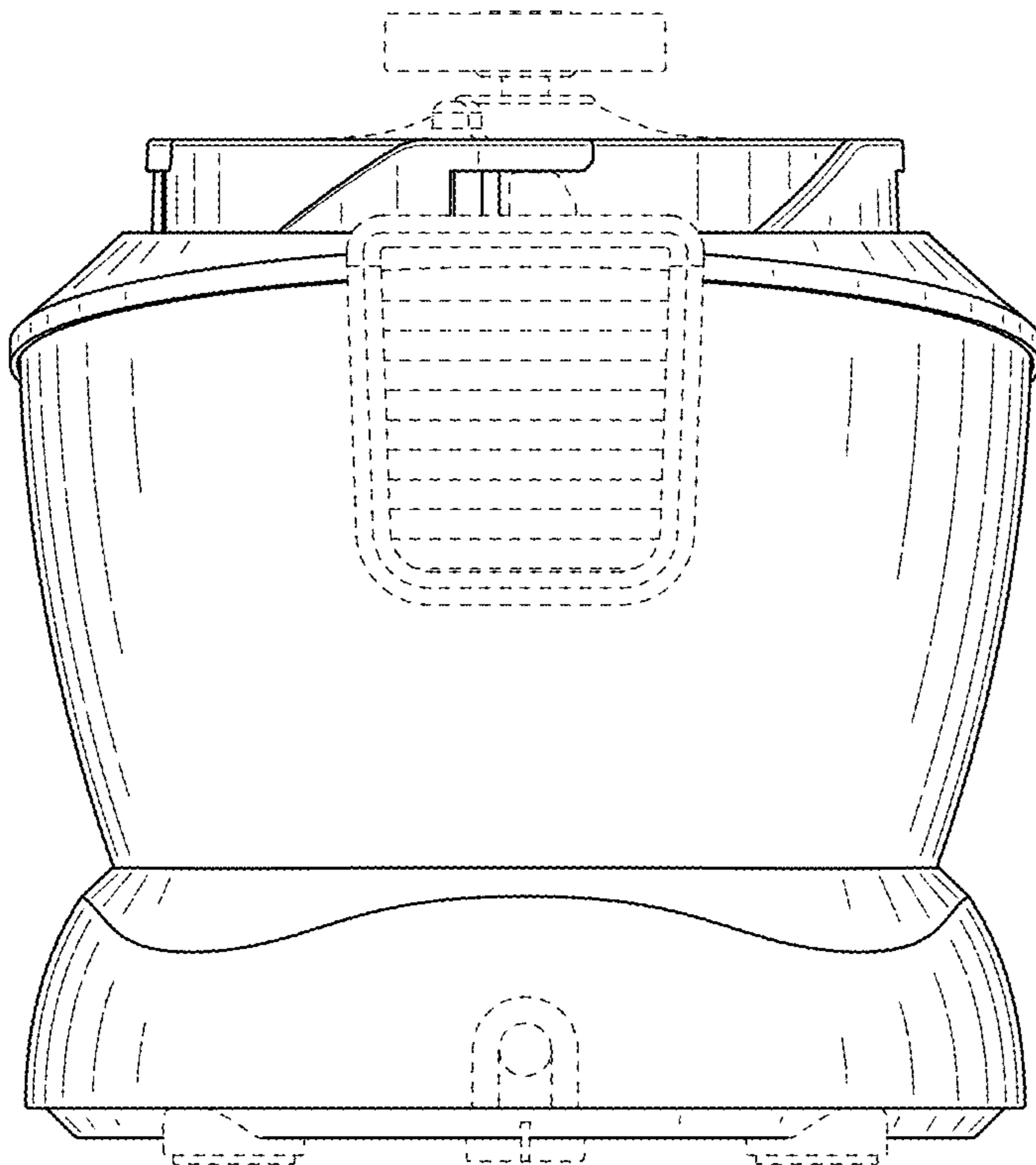


FIG. 10

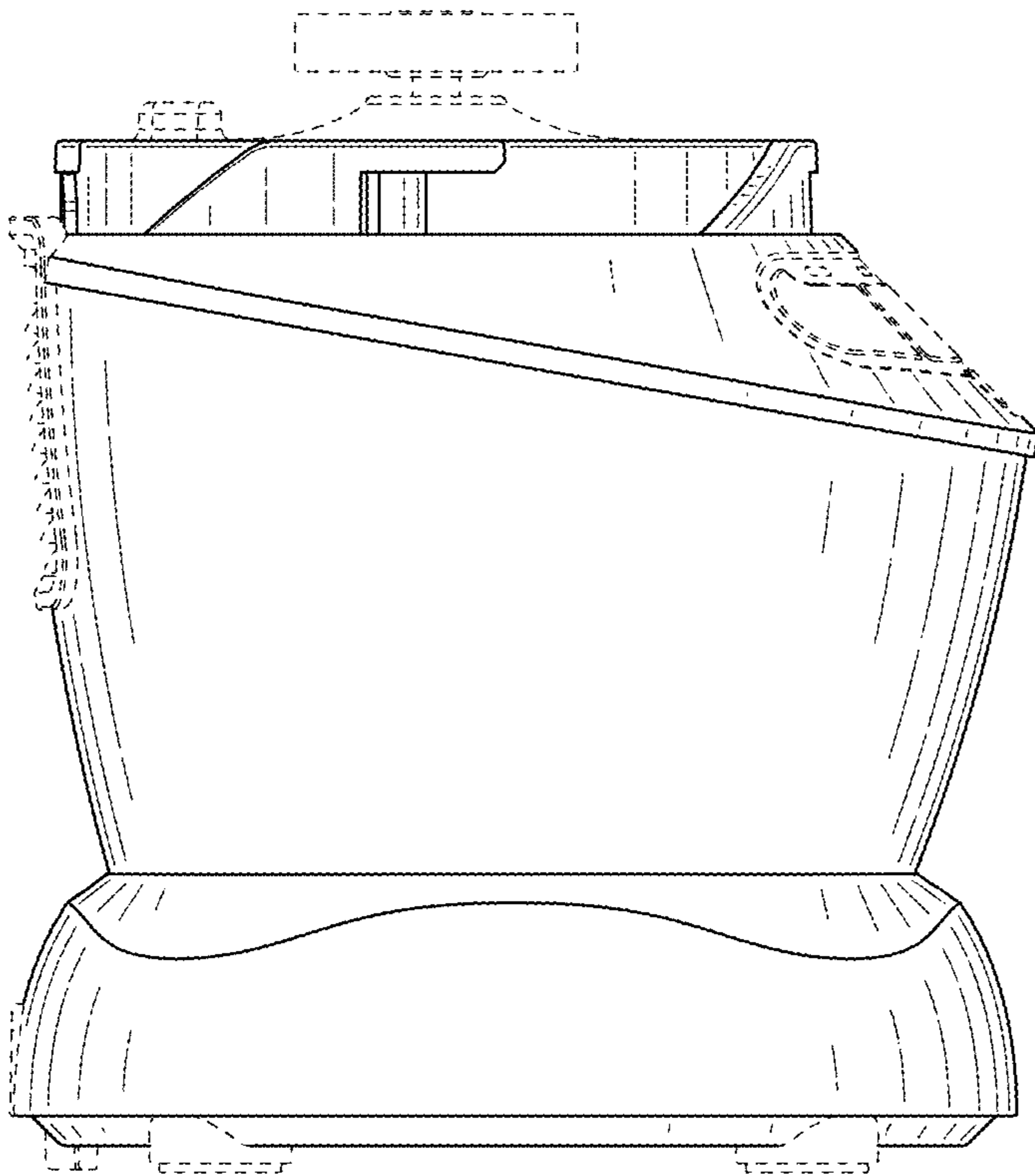


FIG. 11

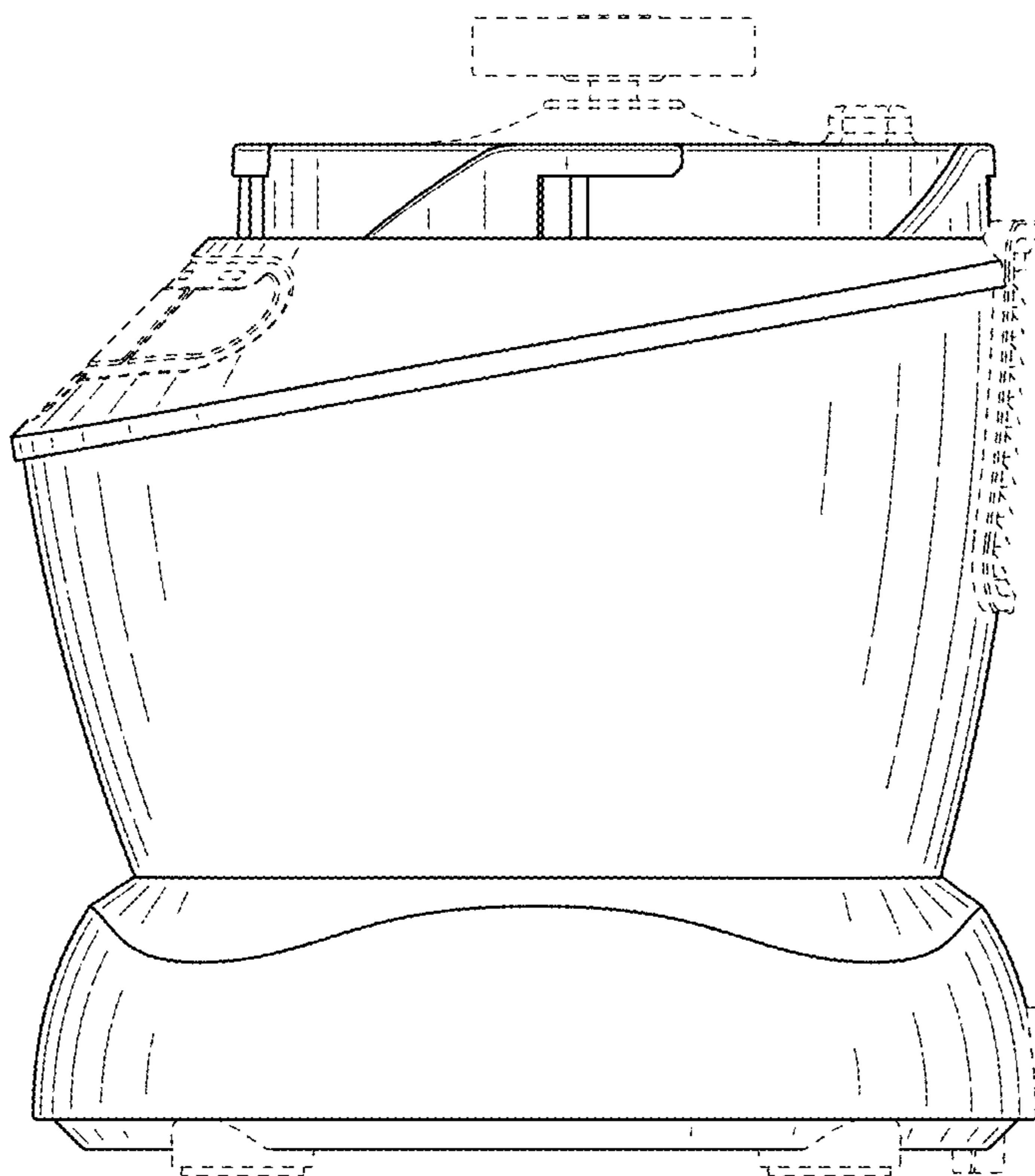


FIG. 12

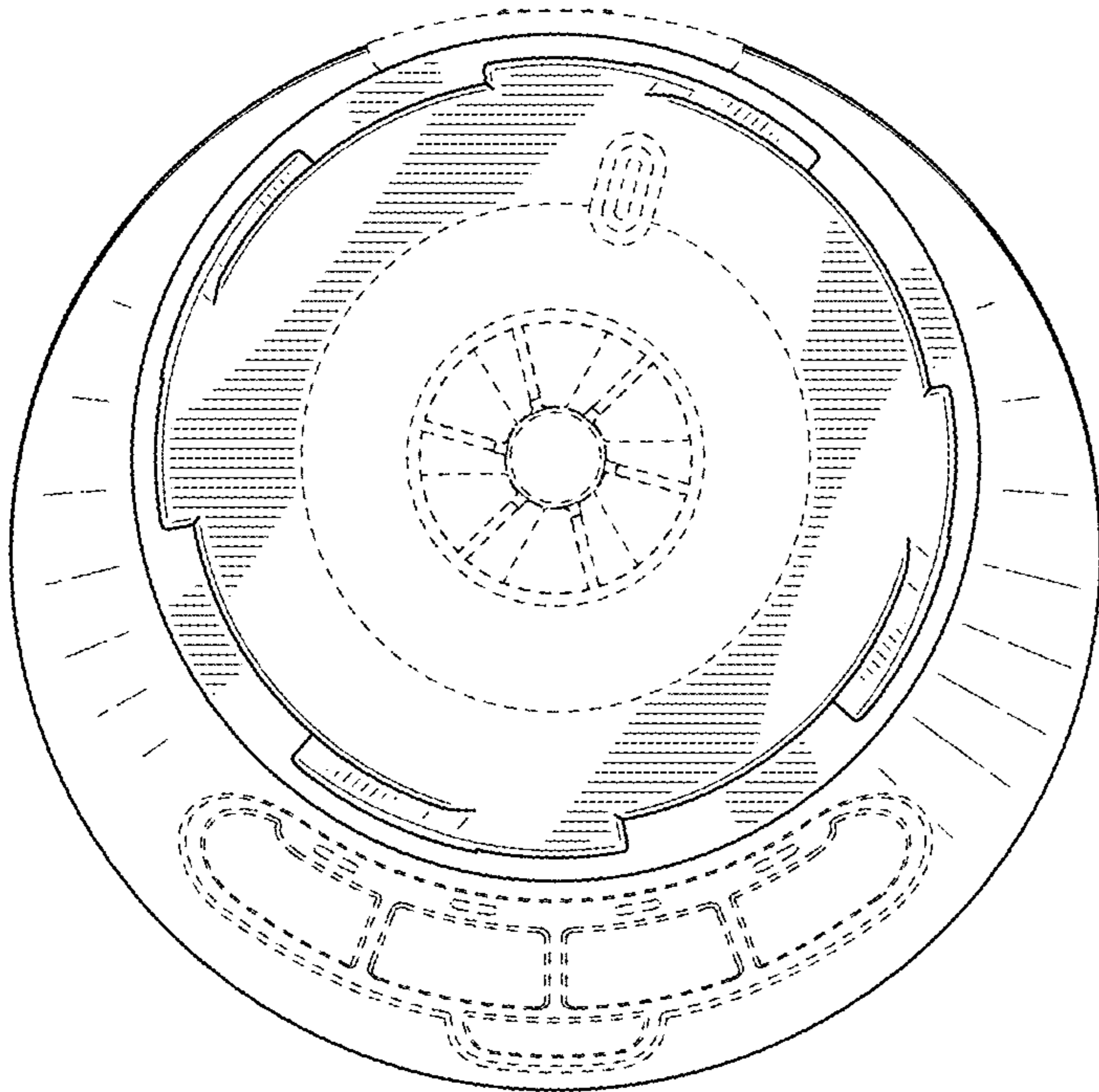


FIG. 13

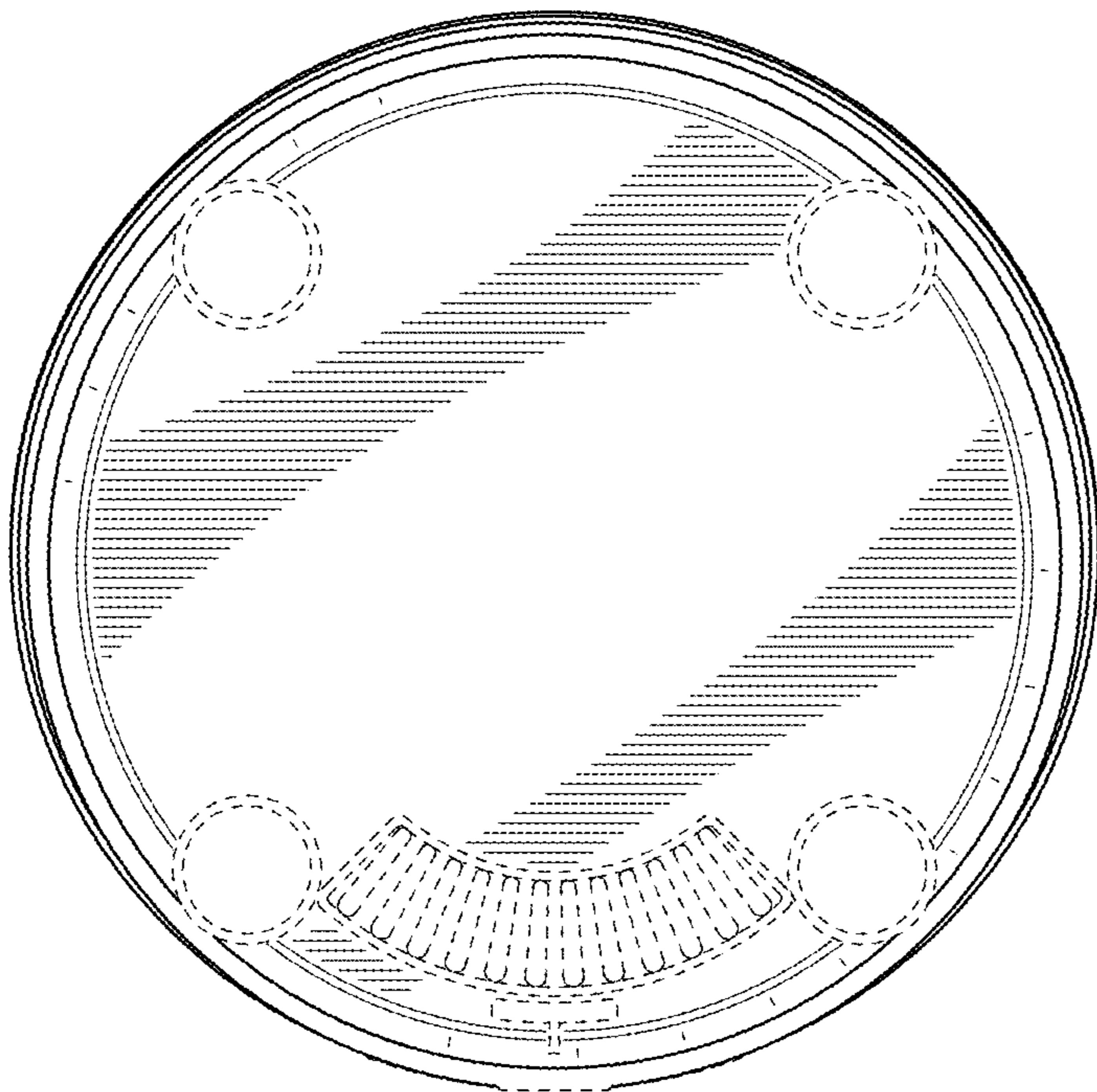


FIG. 14

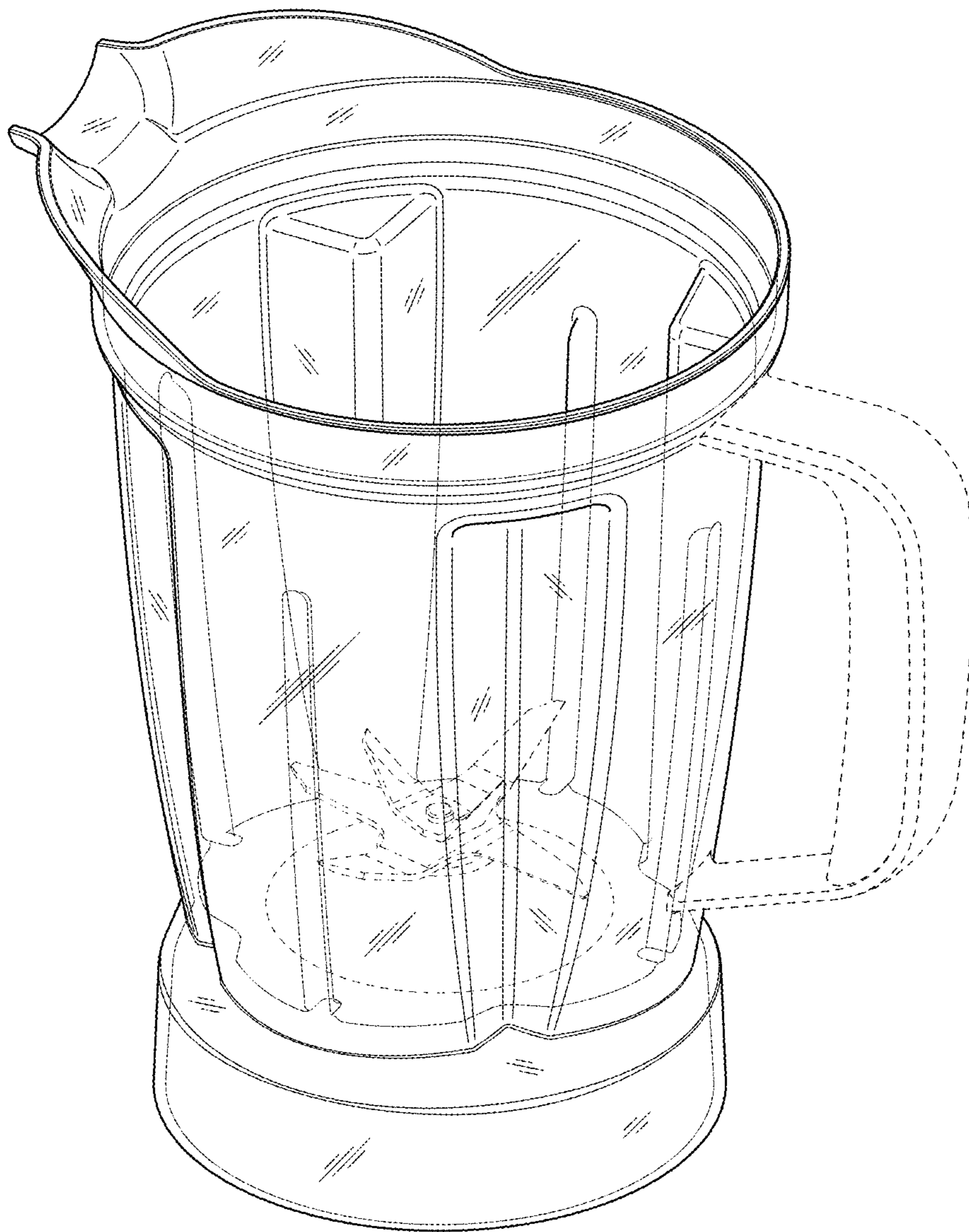


FIG. 15

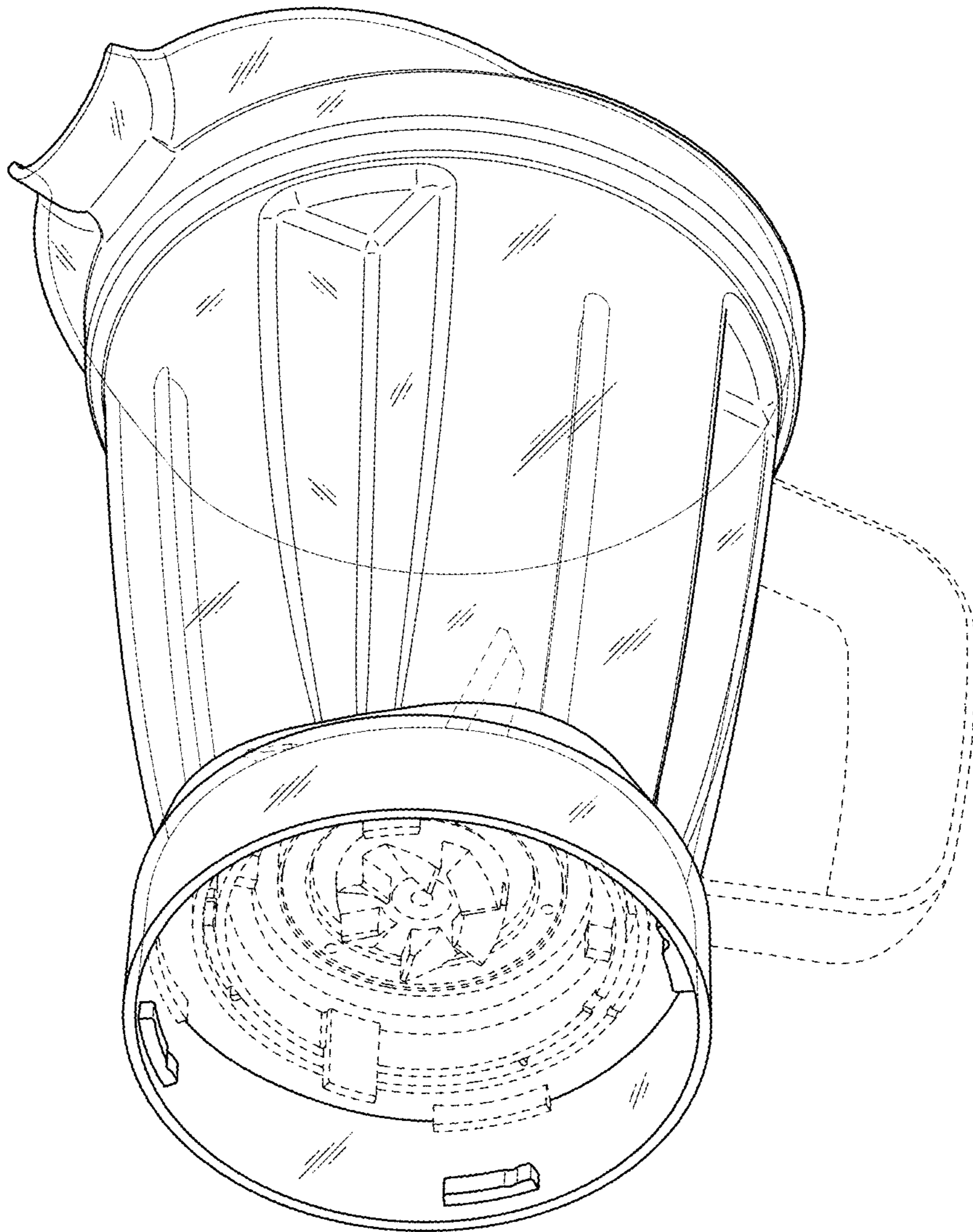


FIG. 10

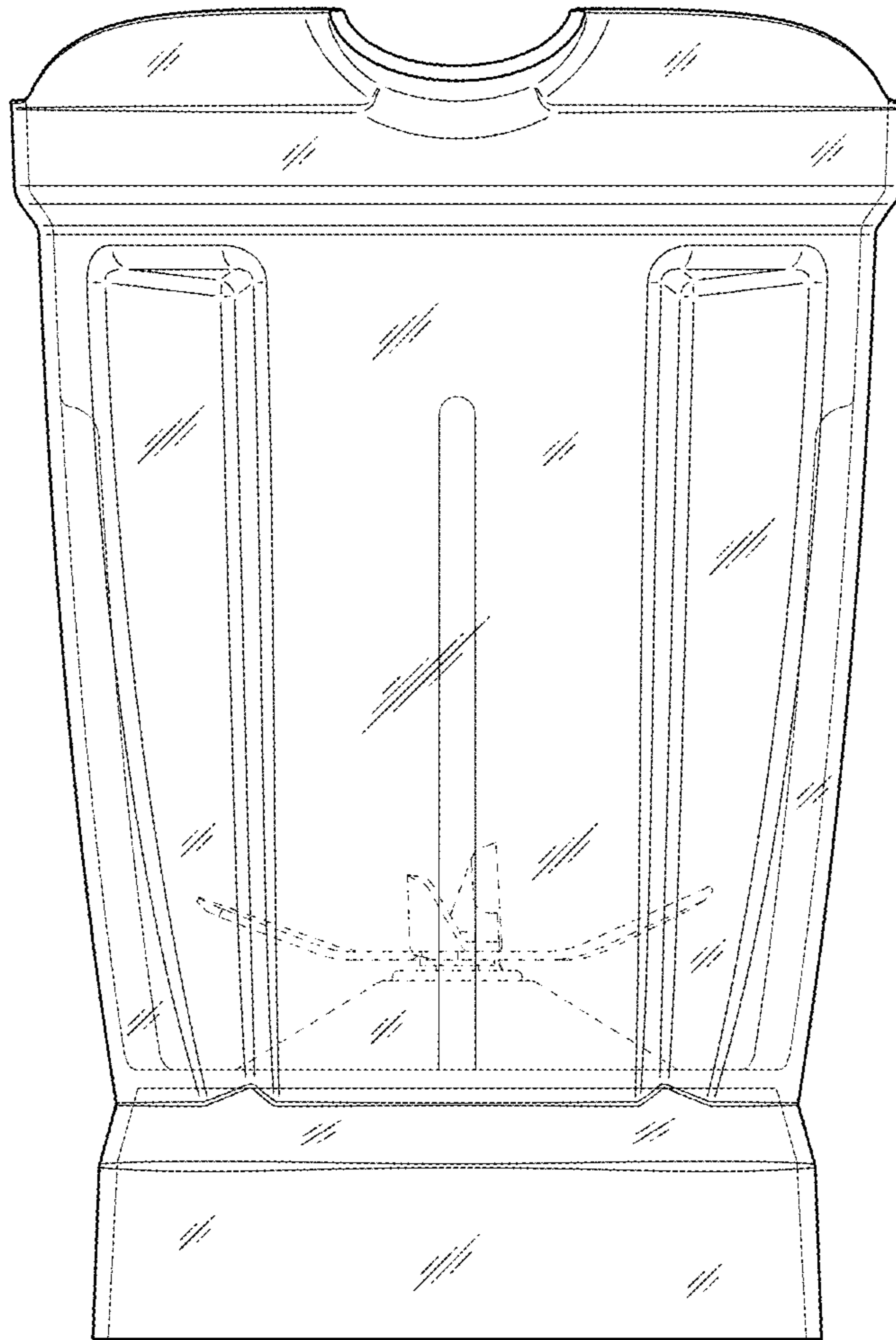


FIG. 17

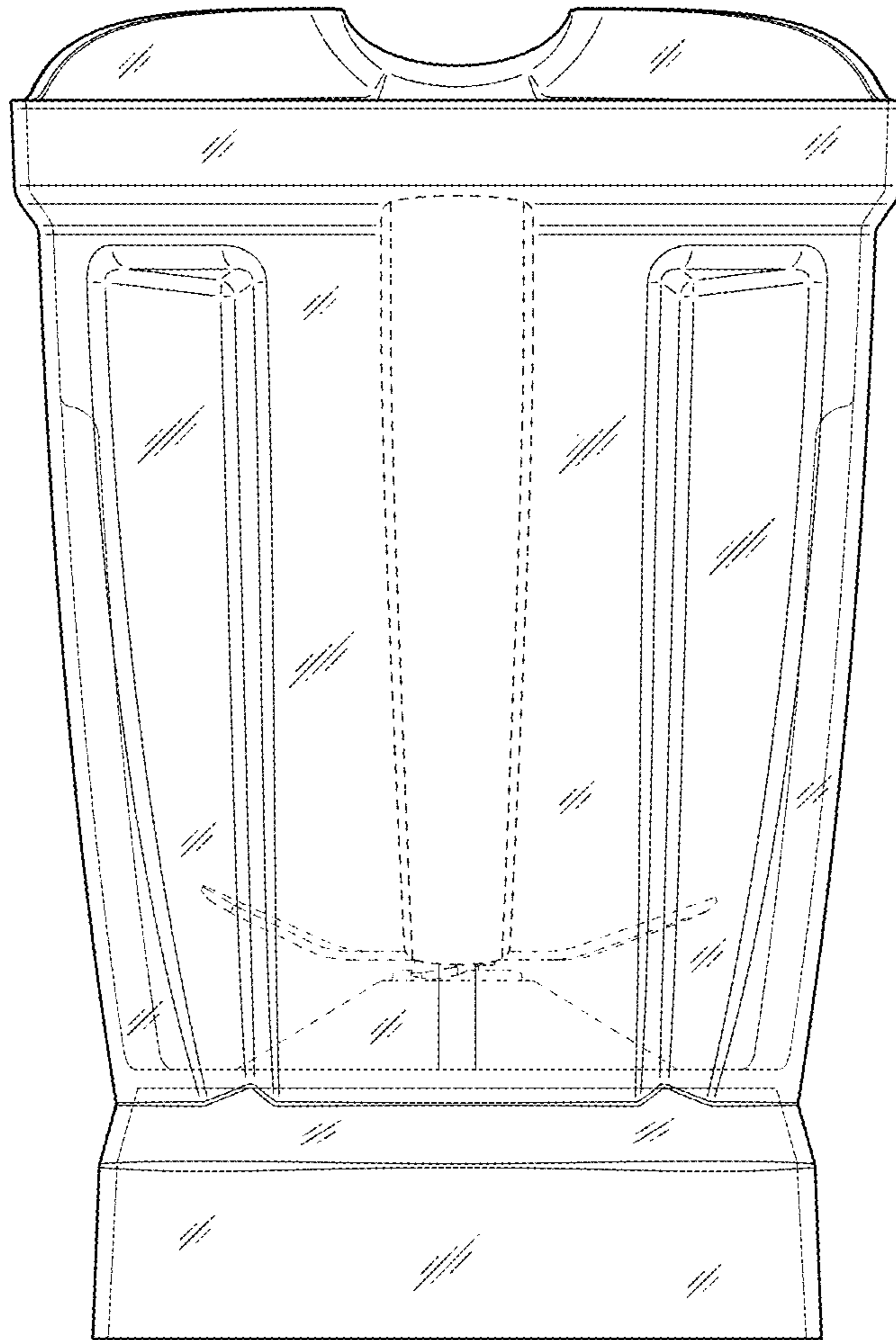


FIG. 18

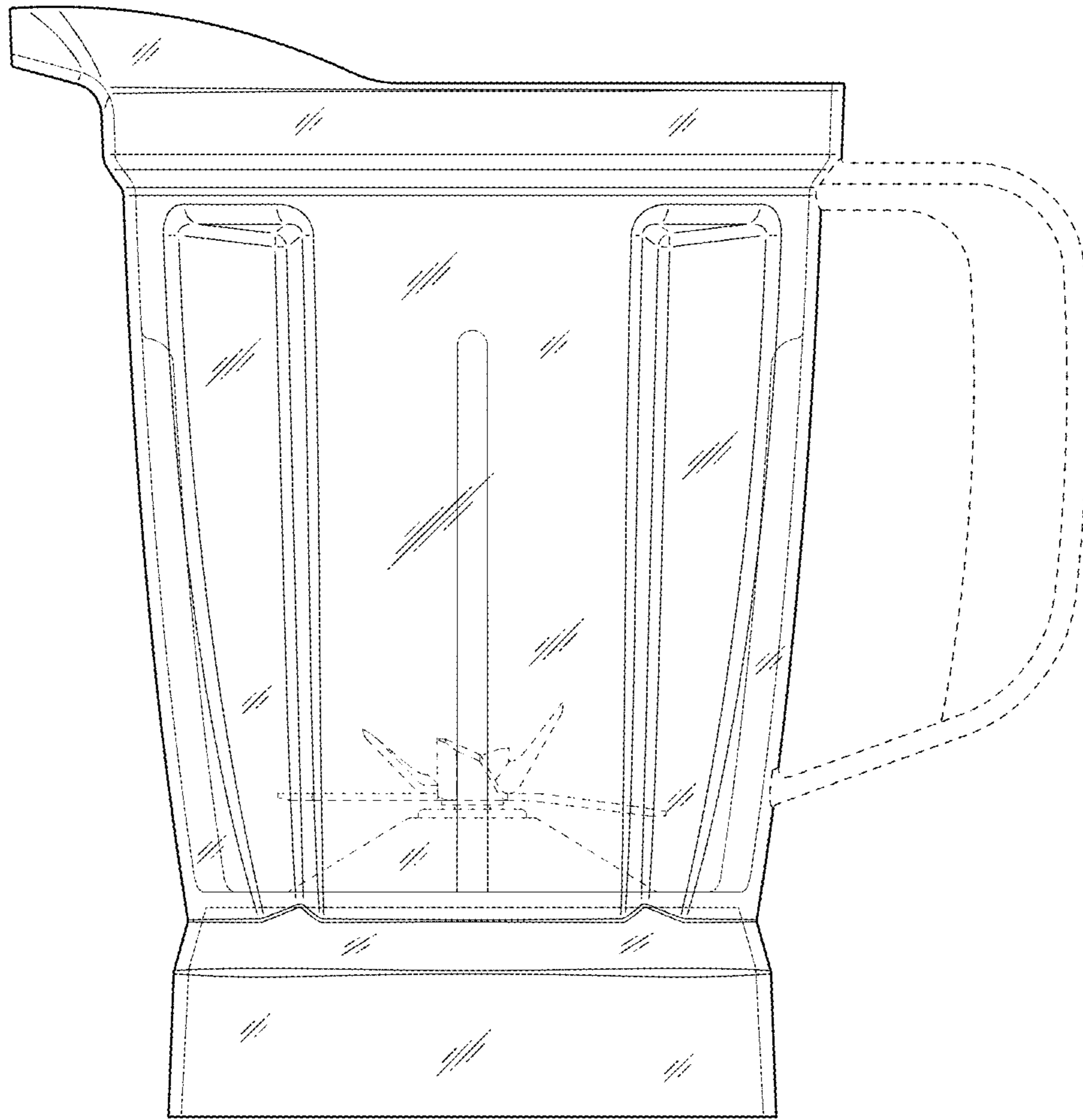


Fig. 19

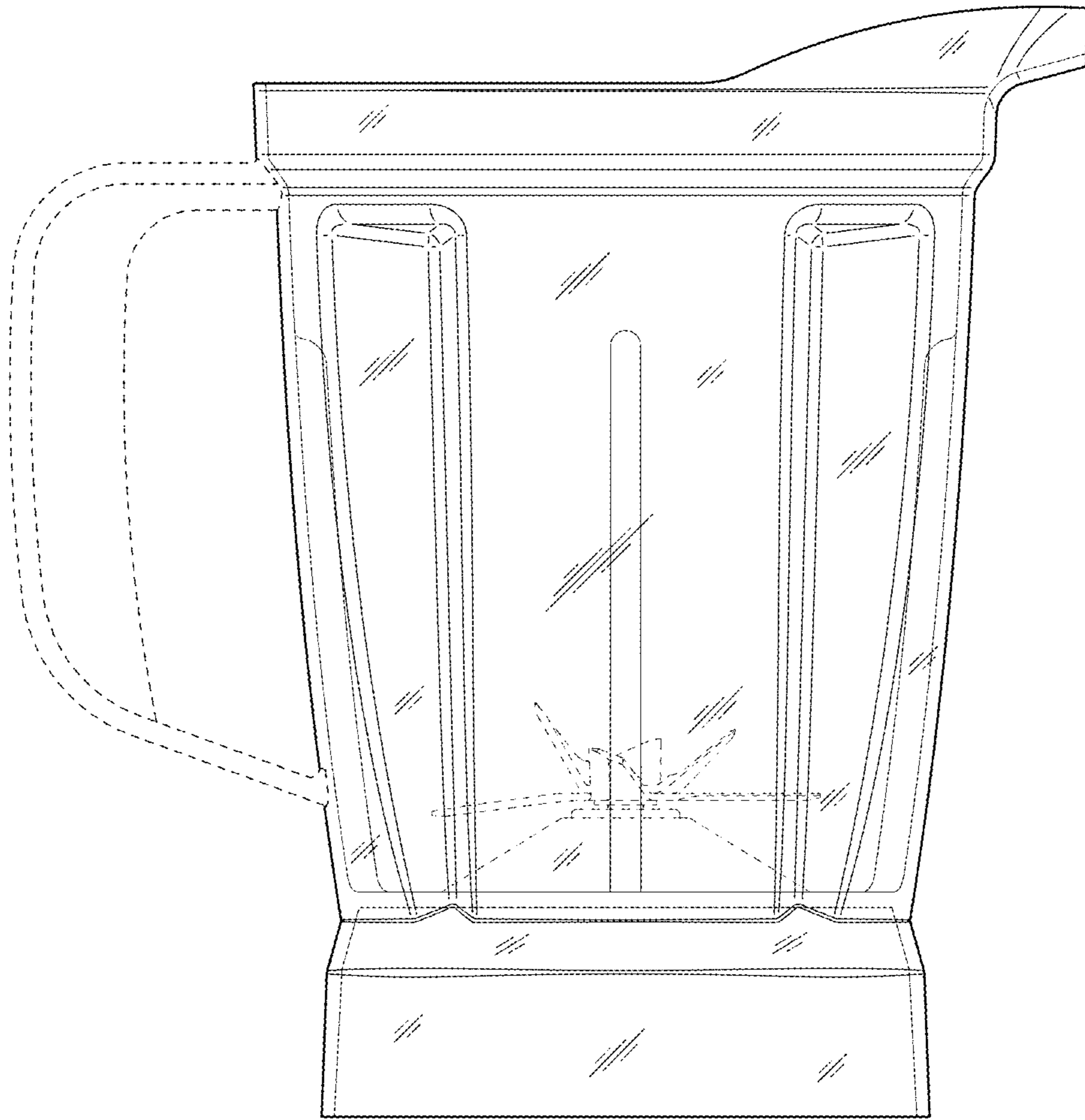


FIG. 20

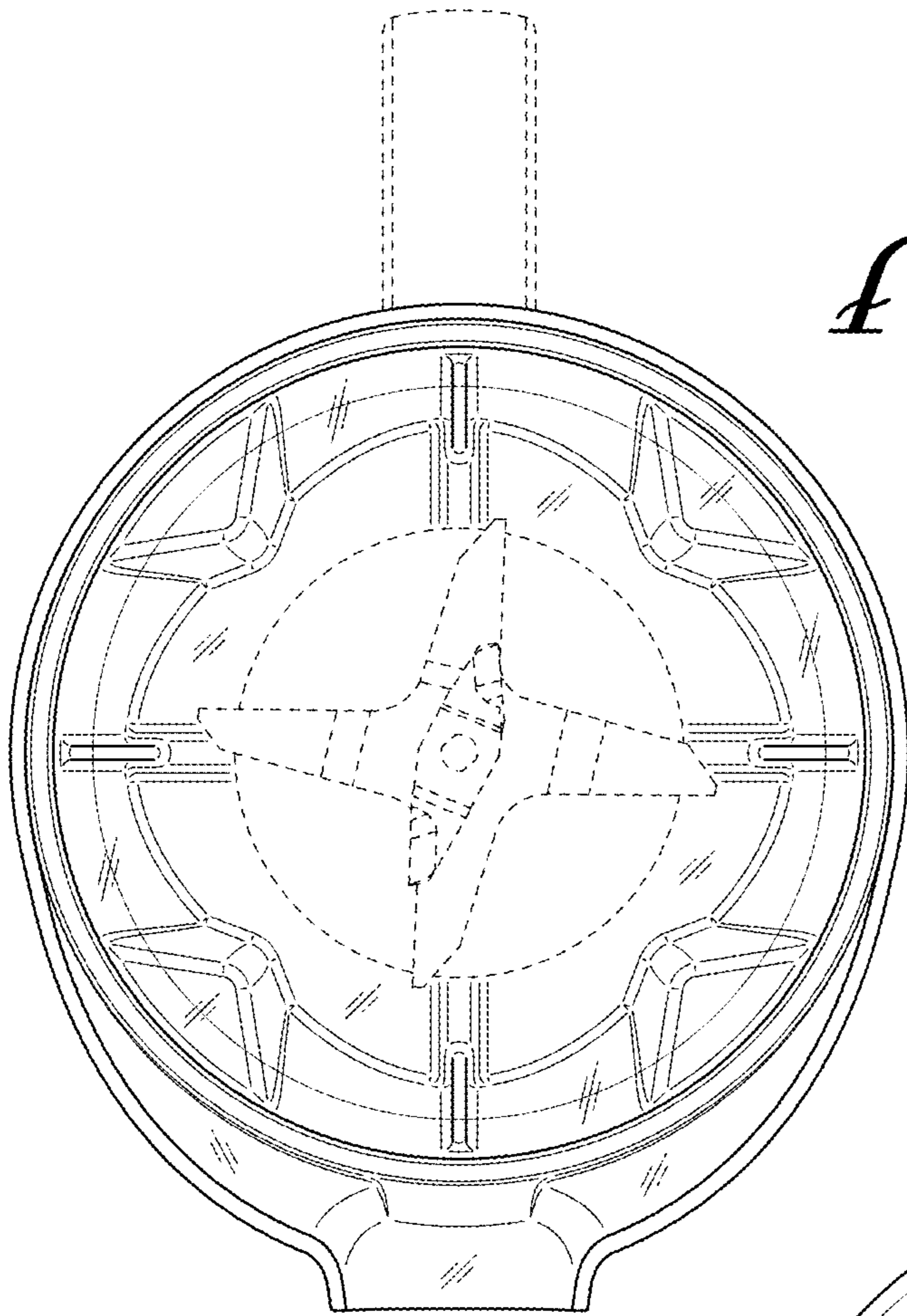


FIG. 21

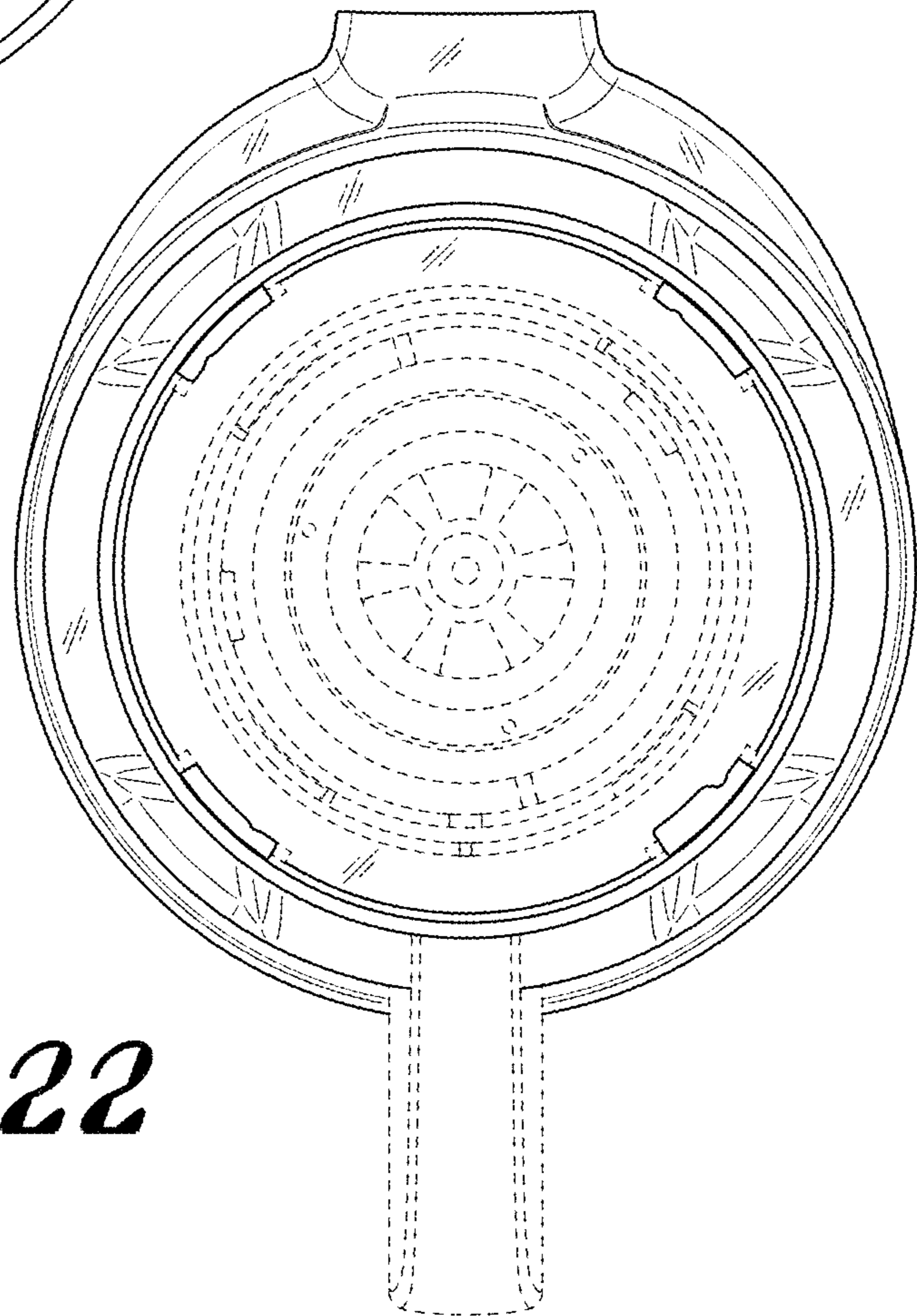


FIG. 22

FIG. 23

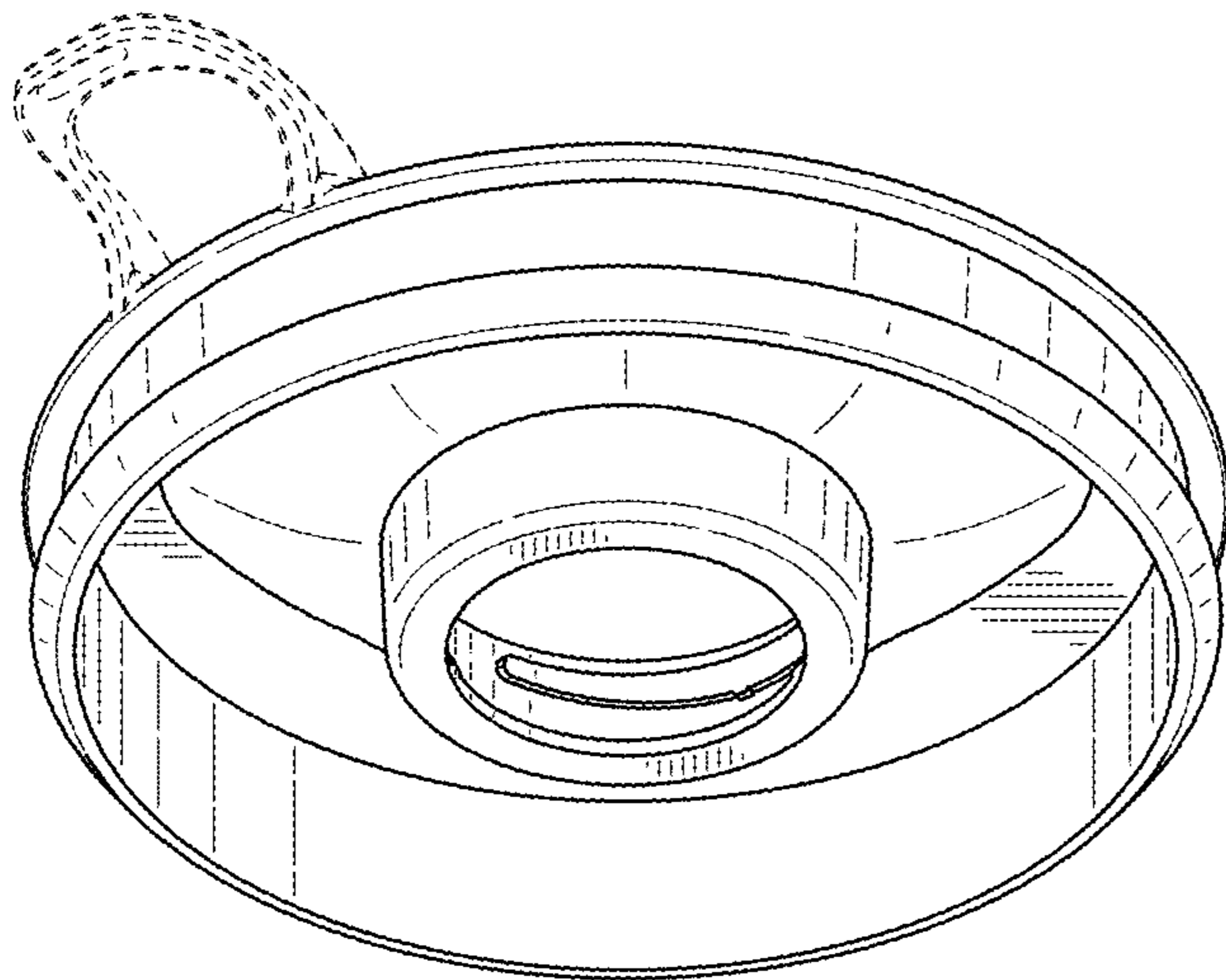
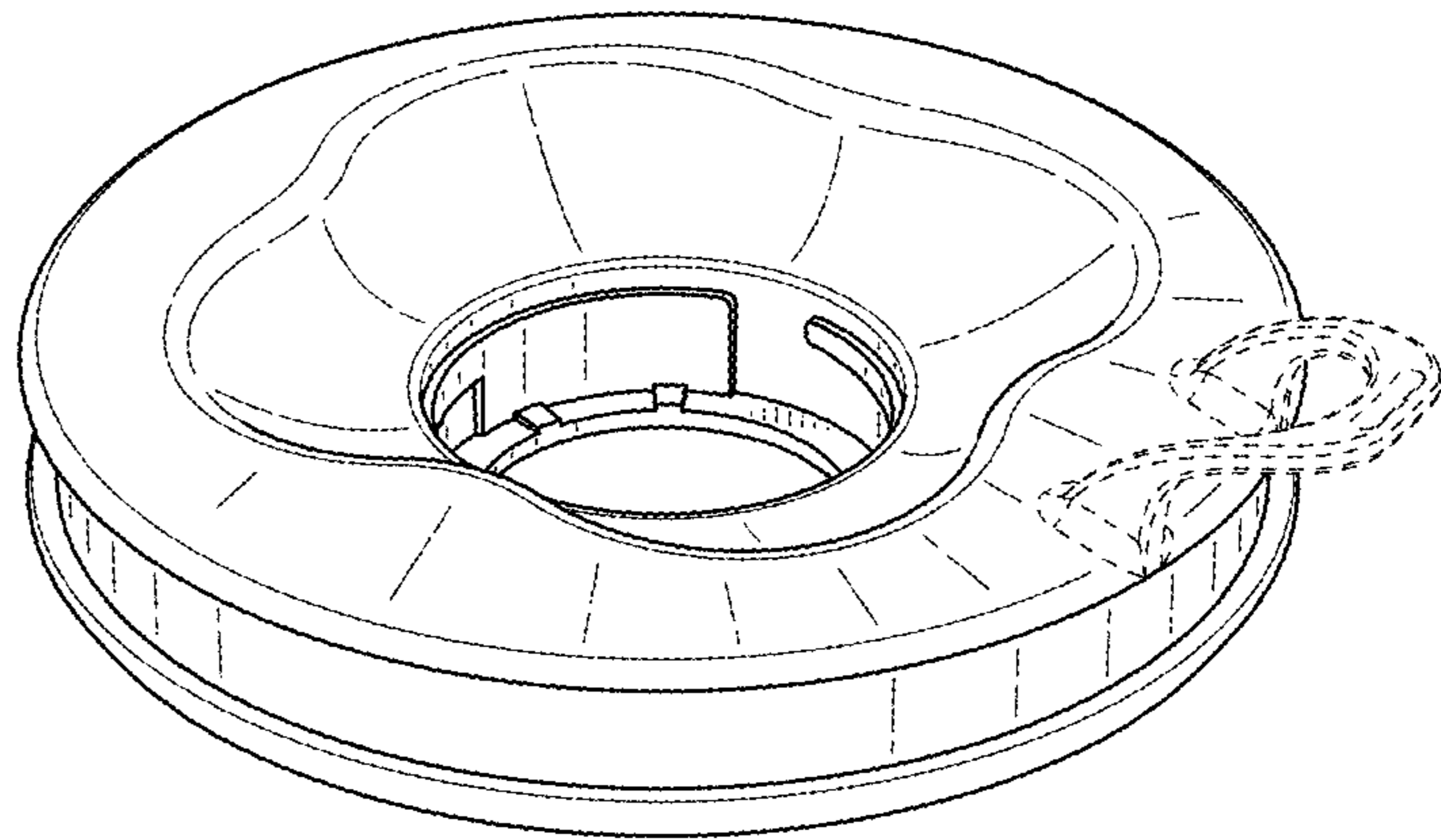


FIG. 24

FIG. 25

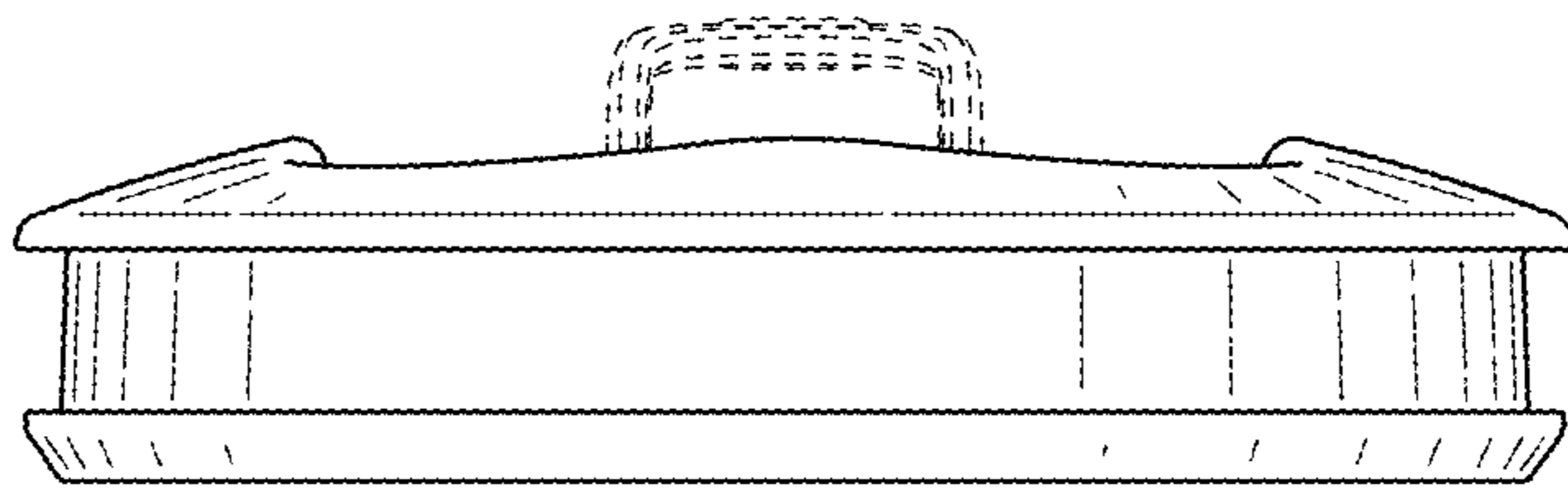
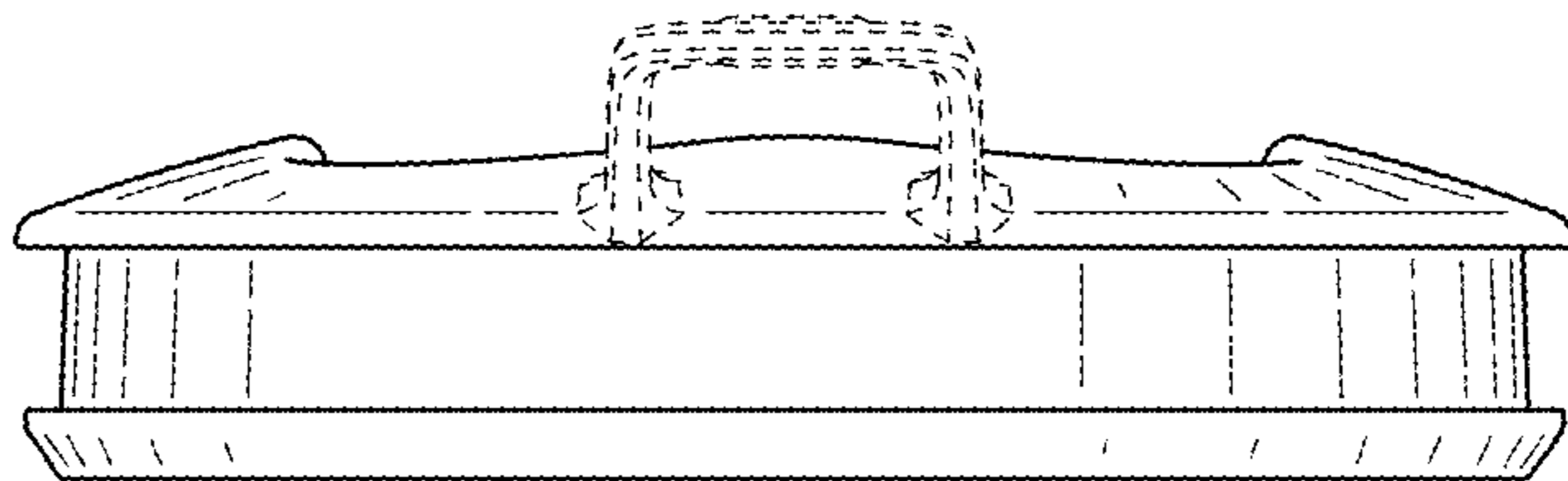


FIG. 26



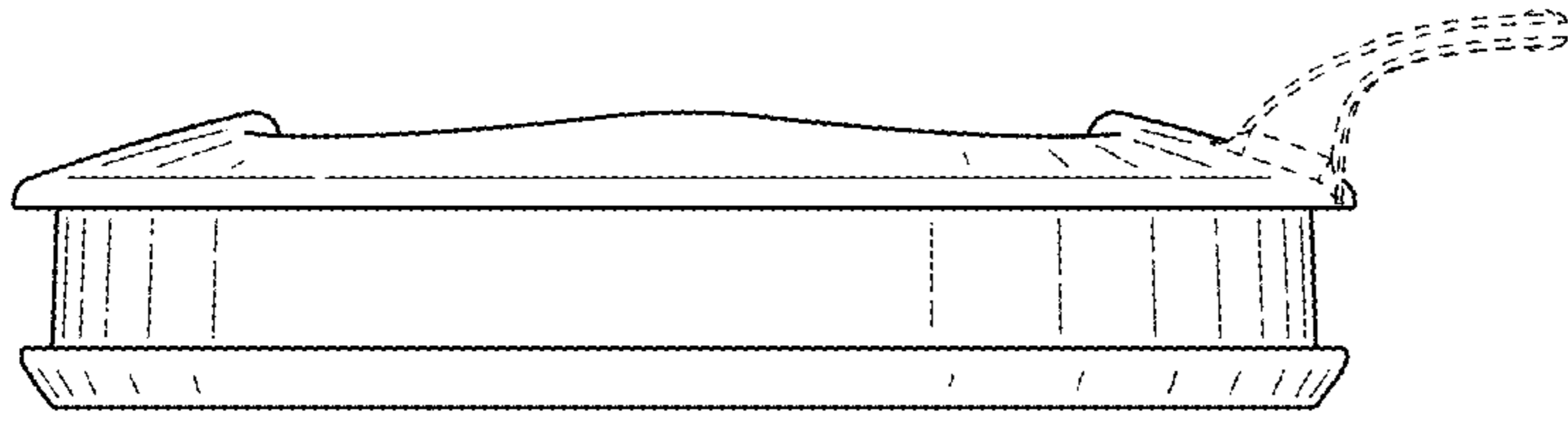


FIG. 27

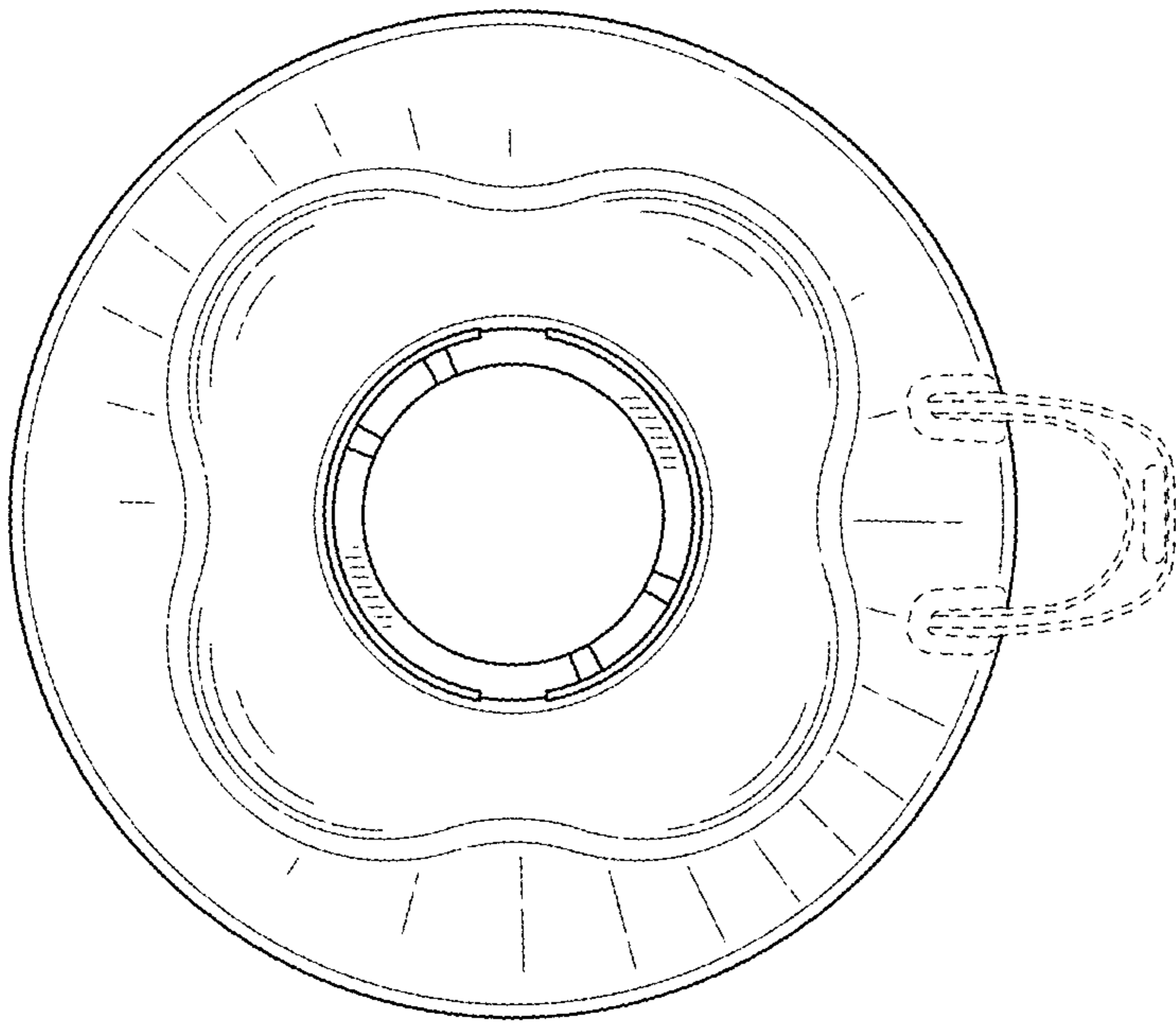


FIG. 28

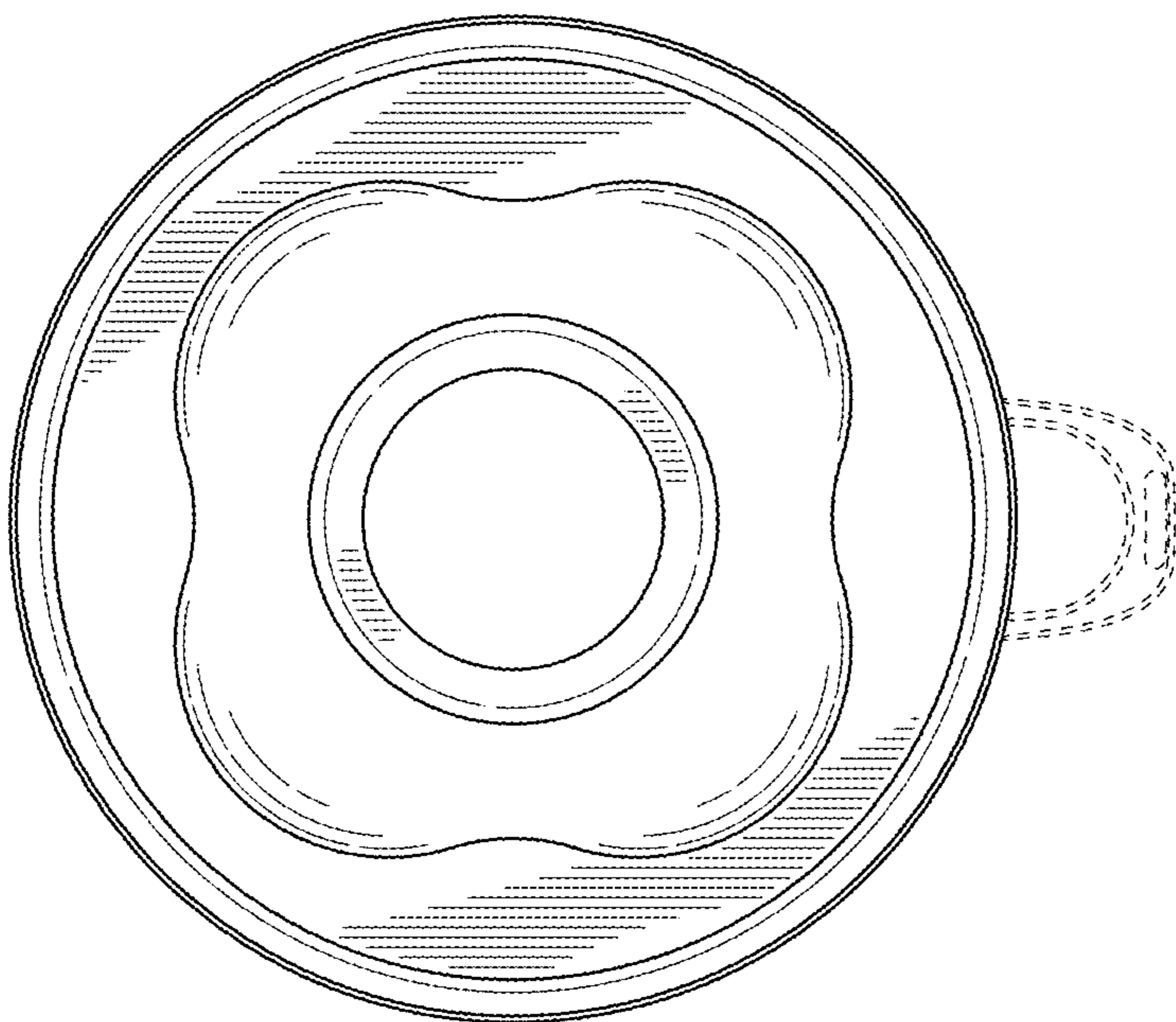


FIG. 29

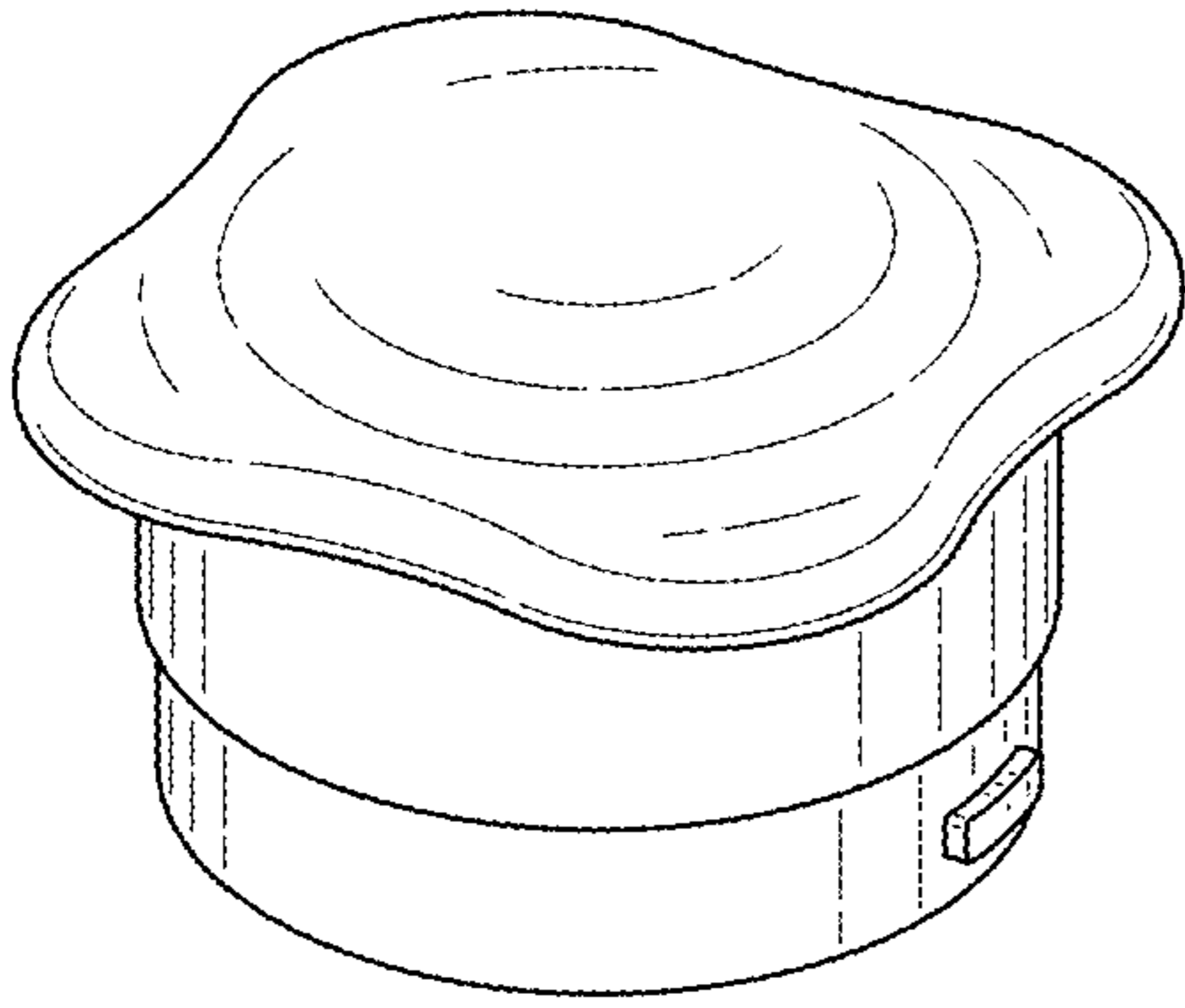


FIG. 30

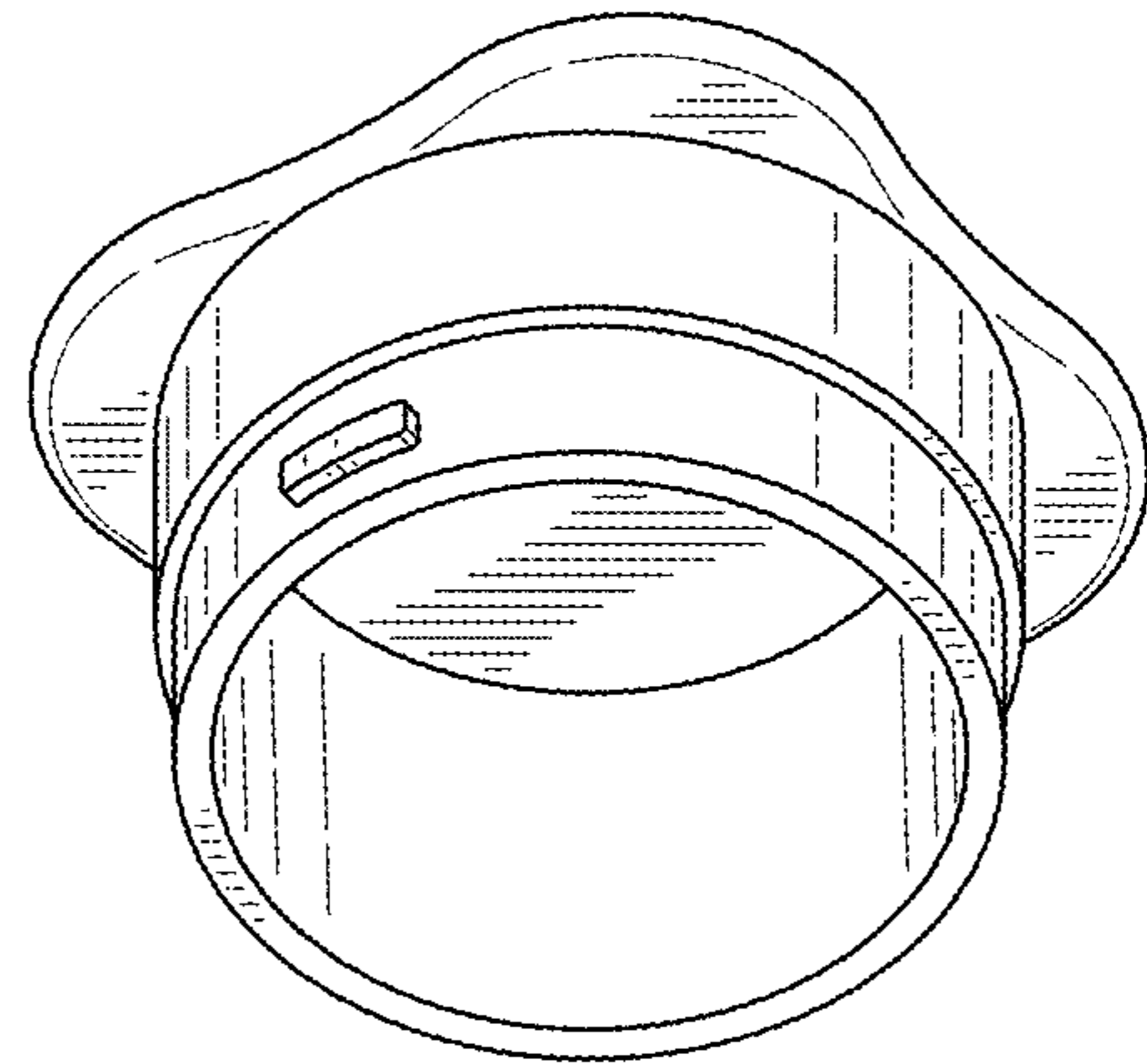


FIG. 31

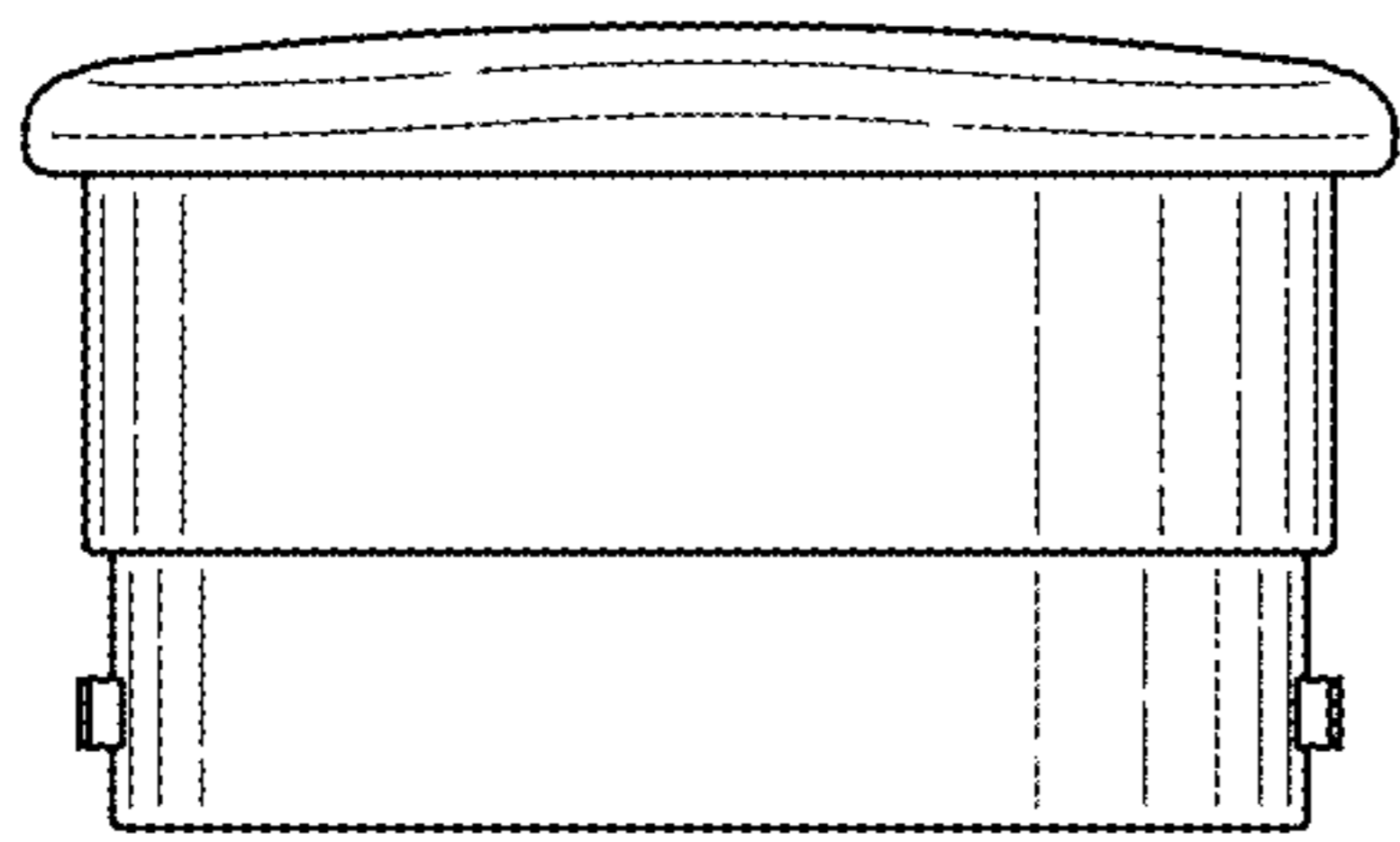


FIG. 32

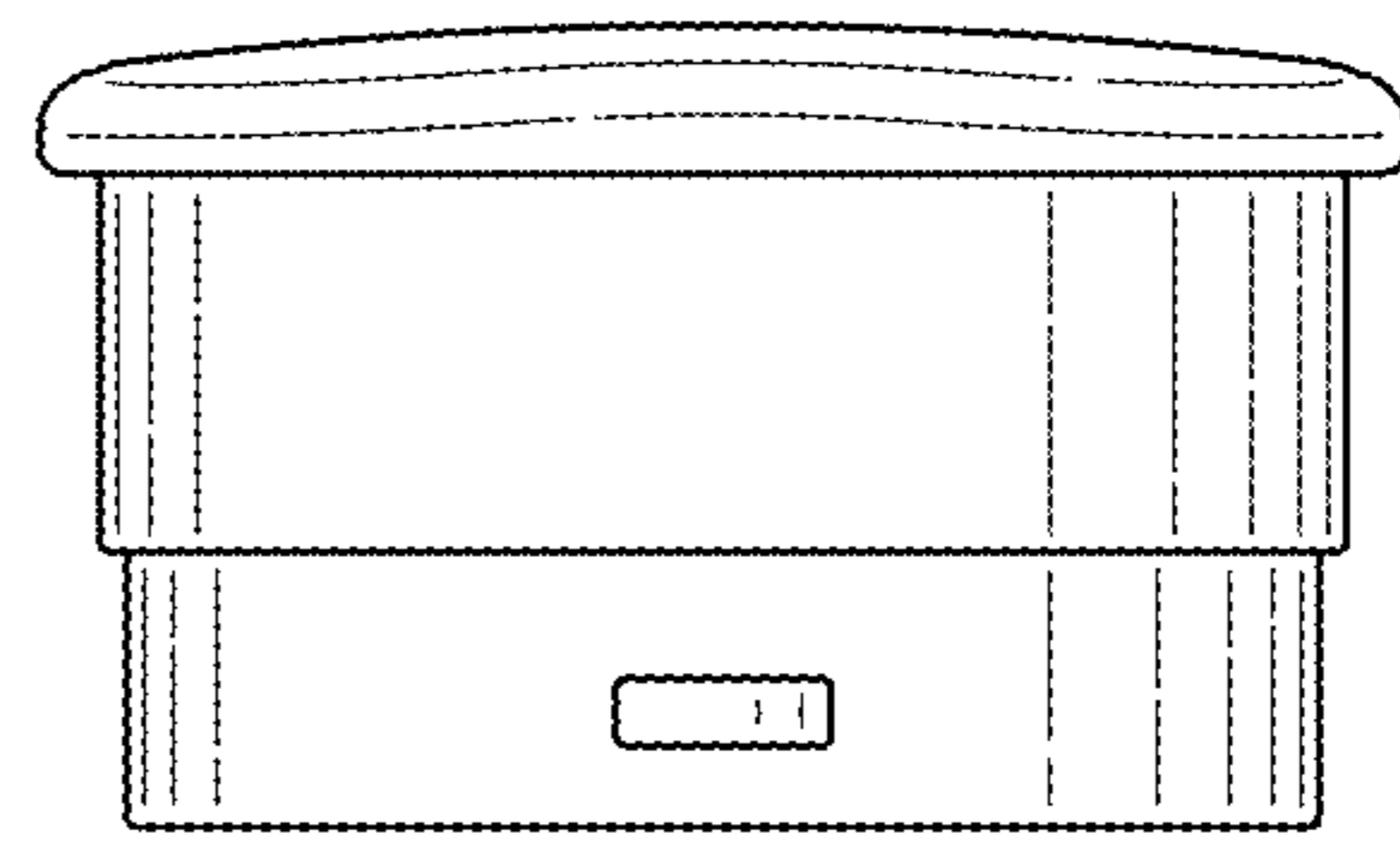


FIG. 33

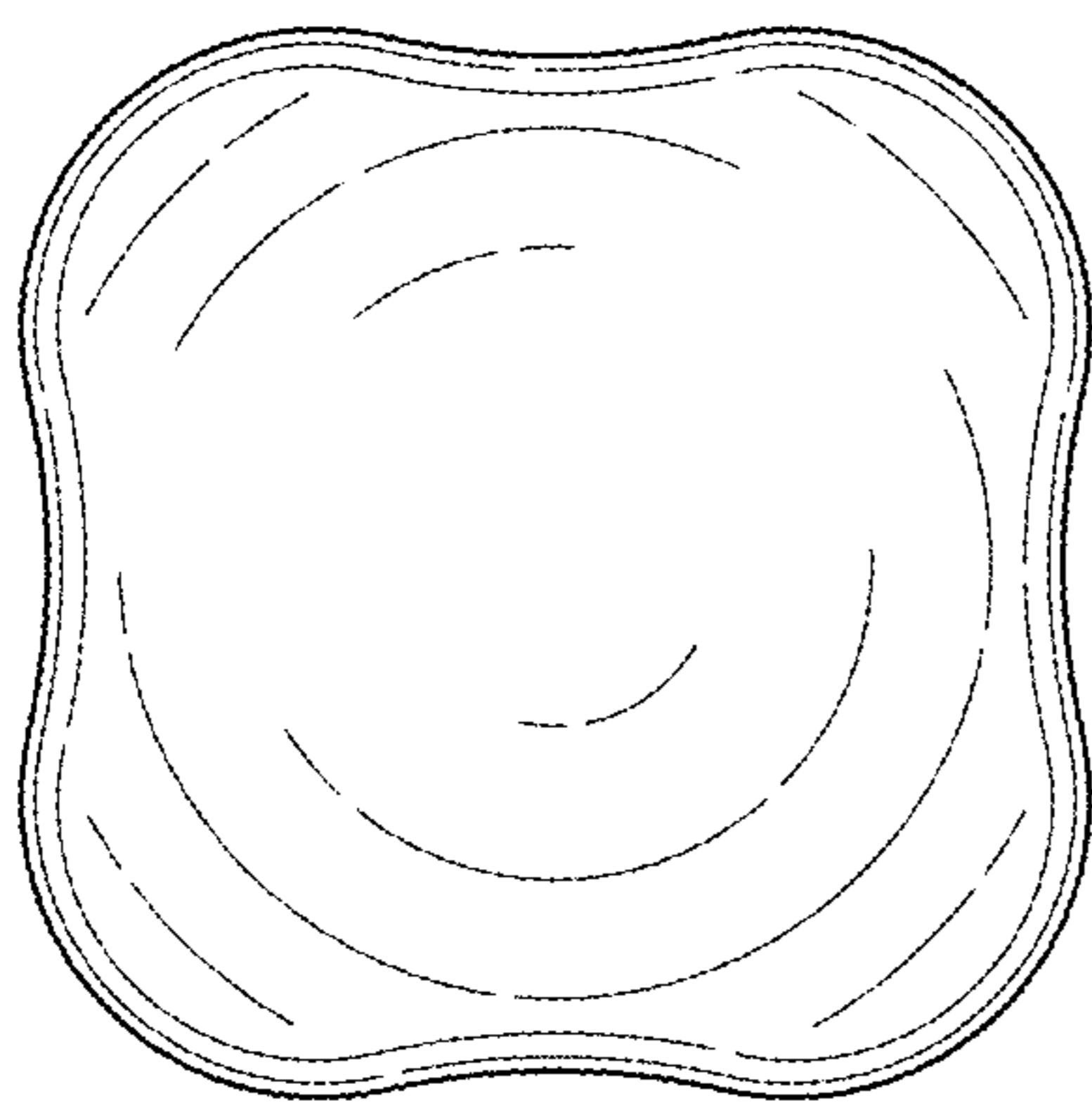


FIG. 34

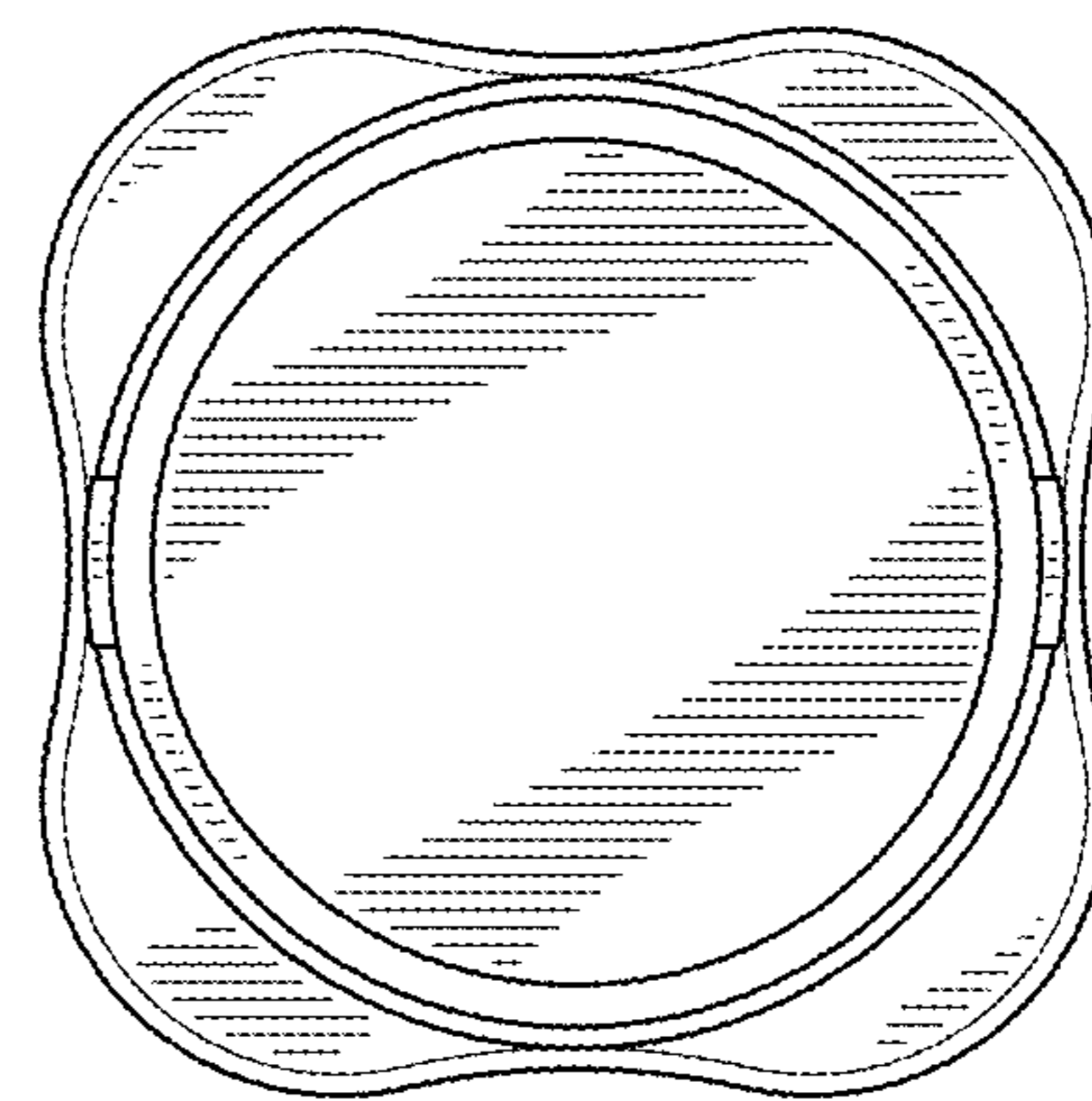


FIG. 35