



US00D897757S

(12) **United States Design Patent** (10) **Patent No.:** **US D897,757 S**
Abehasera (45) **Date of Patent:** **** Oct. 6, 2020**

(54) **ELECTRONIC GRINDER**
(71) Applicant: **TRI Innovations LLC**, Hallandale Beach, FL (US)
(72) Inventor: **Benyamin Abehasera**, Hallandale Beach, FL (US)
(73) Assignee: **TRI Innovations LLC**, Hallandale Beach, FL (US)
(**) Term: **15 Years**
(21) Appl. No.: **29/681,443**
(22) Filed: **Feb. 26, 2019**
(51) **LOC (12) Cl.** **31-00**
(52) **U.S. Cl.**
USPC **D7/372**
(58) **Field of Classification Search**
USPC D7/309, 372, 373, 374, 376, 377, 378, D7/381, 382, 383, 385, 412, 414, 678, D7/669, 679; D27/194, 195
CPC .. A47J 42/00; A47J 42/02; A47J 42/04; A47J 42/06; A47J 42/08; A47J 42/10; A47J 42/12; A47J 42/14; A47J 42/16; A47J 42/22; A47J 42/32; A47J 42/38; A47J 42/52; A23F 5/08; A22C 5/00; A22C 7/00; A22C 9/00; A22C 17/00; A22C 17/0006; A22C 17/004
See application file for complete search history.

D813,447 S * 3/2018 Watson D27/162
D822,271 S * 7/2018 Eksouzian D27/101
D853,635 S * 7/2019 Chen D27/194
D857,290 S * 8/2019 Crowe D27/162
D866,064 S * 11/2019 Powell D27/170
D871,668 S * 12/2019 Lee D27/194
D871,669 S * 12/2019 Lee D27/194
(Continued)

FOREIGN PATENT DOCUMENTS

GB 2435609 A * 9/2007 A47J 31/005

OTHER PUBLICATIONS

Easy Grinder Electric Herb Grinder, announced Aug. 24, 2017 [online], retrieved Aug. 11, 2020, retrieved from internet, https://www.walmart.com/ip/Easy-Grinder-Electric-Herb-Grinder-Rechargeable-Li-Ion-Battery-Detachable-Storage-Case-Rose-Gold/682055138.*

(Continued)

Primary Examiner — Dana K Weiland
Assistant Examiner — Messina L Smith
(74) *Attorney, Agent, or Firm* — Berger Singerman LLP; Geoffrey Lottenberg

(57) **CLAIM**

The ornamental design for an electronic grinder, as shown and described.

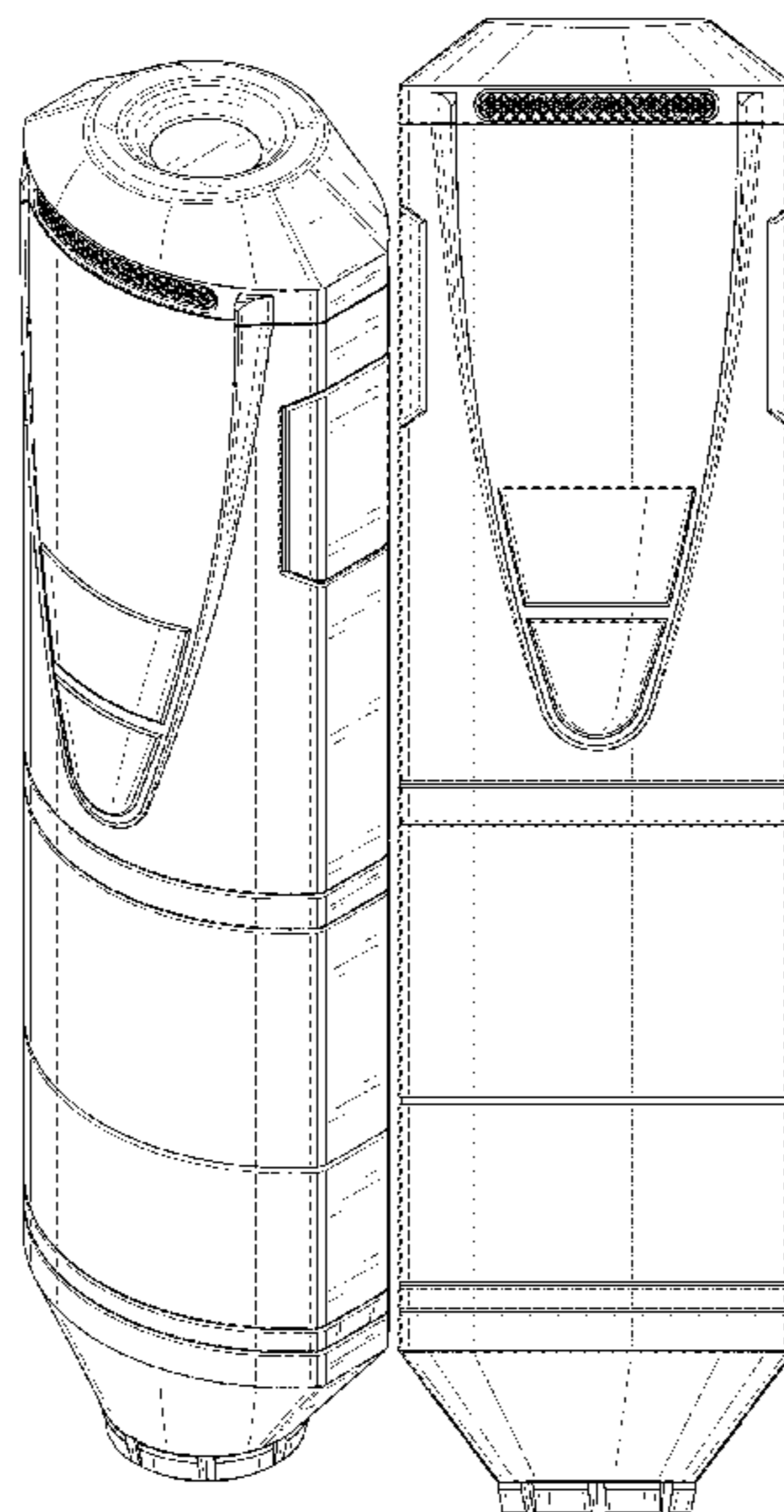
DESCRIPTION

FIG. 1 is a perspective view of an electronic grinder, showing the new design;
FIG. 2 is a front side elevation view of the electronic grinder;
FIG. 3 is a rear side elevation view of the electronic grinder;
FIG. 4 is a left elevation view of the electronic grinder;
FIG. 5 is a right elevation view of the electronic grinder;
FIG. 6 is a top elevation view of the electronic grinder; and,
FIG. 7 is a bottom elevation view of the electronic grinder.

1 Claim, 7 Drawing Sheets

(56) **References Cited**
U.S. PATENT DOCUMENTS

D362,598 S * 9/1995 Kibbe D7/678
D433,532 S * 11/2000 Higgins D27/186
D529,769 S * 10/2006 Tardif D7/679
D576,452 S * 9/2008 Kavanaugh D7/679
D576,453 S * 9/2008 Kavanaugh D7/679
D759,439 S * 6/2016 Pietrzyk D7/679
D799,744 S * 10/2017 Qiu D27/101



(56)

References Cited

U.S. PATENT DOCUMENTS

D873,601 S * 1/2020 Sirju D7/378
D874,059 S * 1/2020 Bailey D27/162
D885,653 S * 5/2020 Ding D27/162
2008/0237380 A1 * 10/2008 Kalogroulis A47J 42/46
241/169.1
2015/0034104 A1 * 2/2015 Zhou A61M 15/02
131/329
2017/0319009 A1 * 11/2017 Seckel B02C 18/2216
2018/0213847 A1 * 8/2018 Reevell A24F 47/008
2018/0279674 A1 * 10/2018 Watson A24F 7/02
2018/0310618 A1 * 11/2018 Watson H05B 1/0227

OTHER PUBLICATIONS

How to Find the Very Best Vaporizer?, announced Oct. 19, 2018 [online], retrieved Aug. 11, 2020, retrieved from internet, <https://marysvapes.com/how-to-find-the-very-best-vaporizer/>.*

The Best Portable Vaporizer, announced Apr. 20, 2020 [online], retrieved Aug. 11, 2020, retrieved from internet, <https://www.nytimes.com/wirecutter/reviews/best-portable-vaporizer/>.*

* cited by examiner

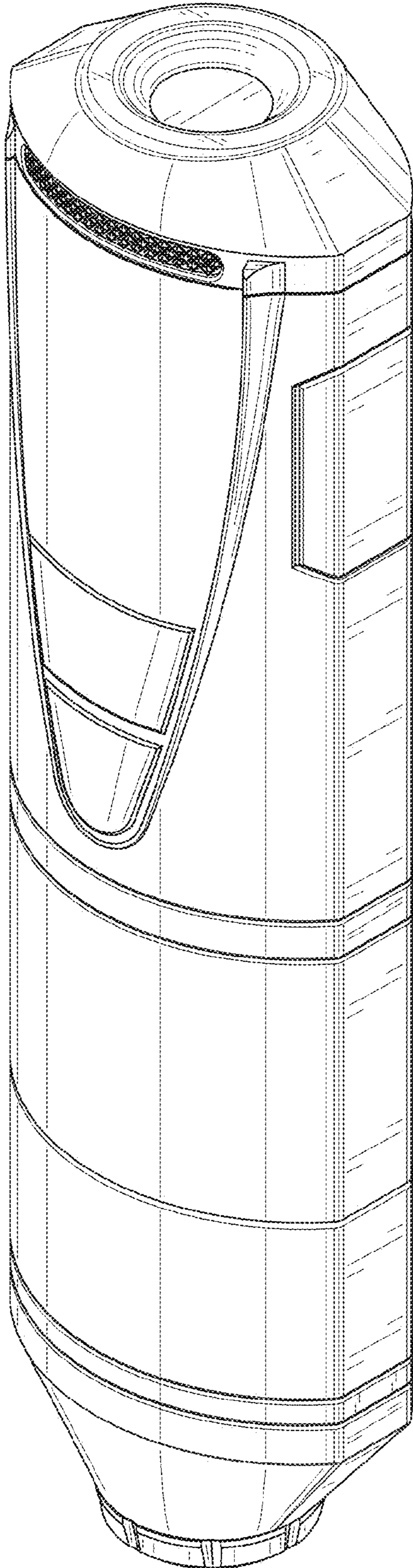


FIG. 1

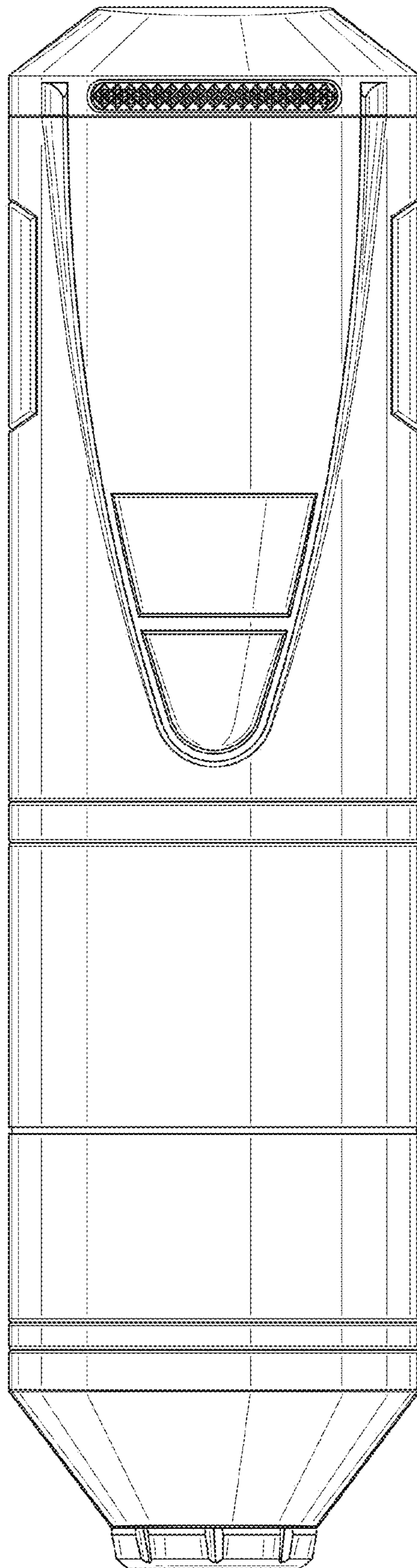


FIG. 2

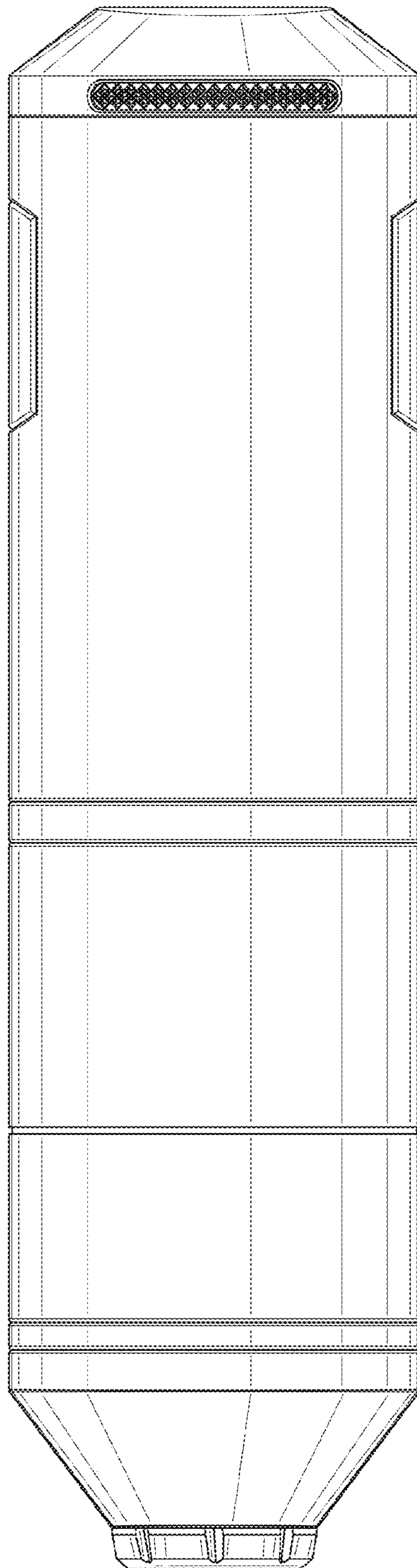


FIG. 3

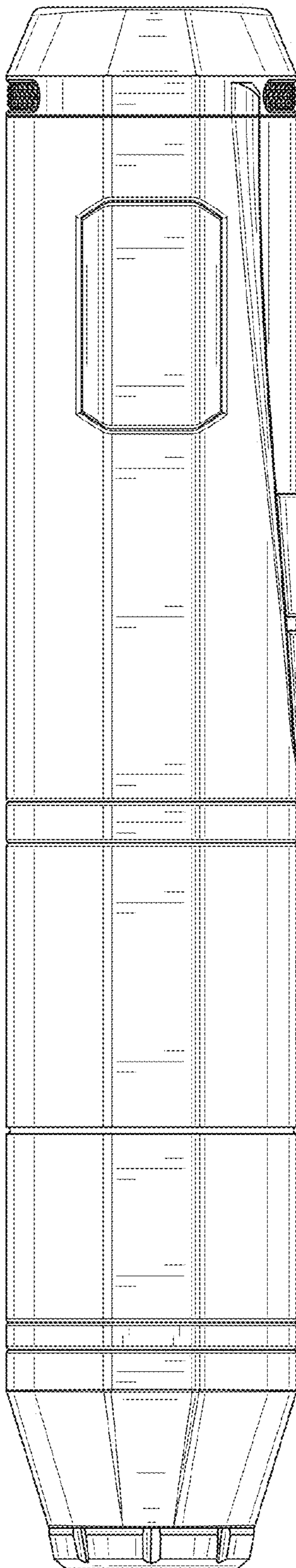


FIG. 4

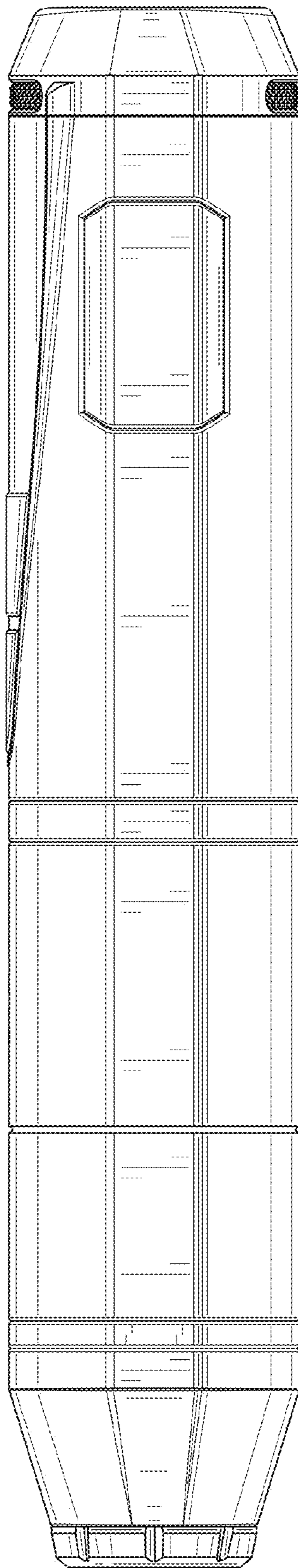


FIG. 5

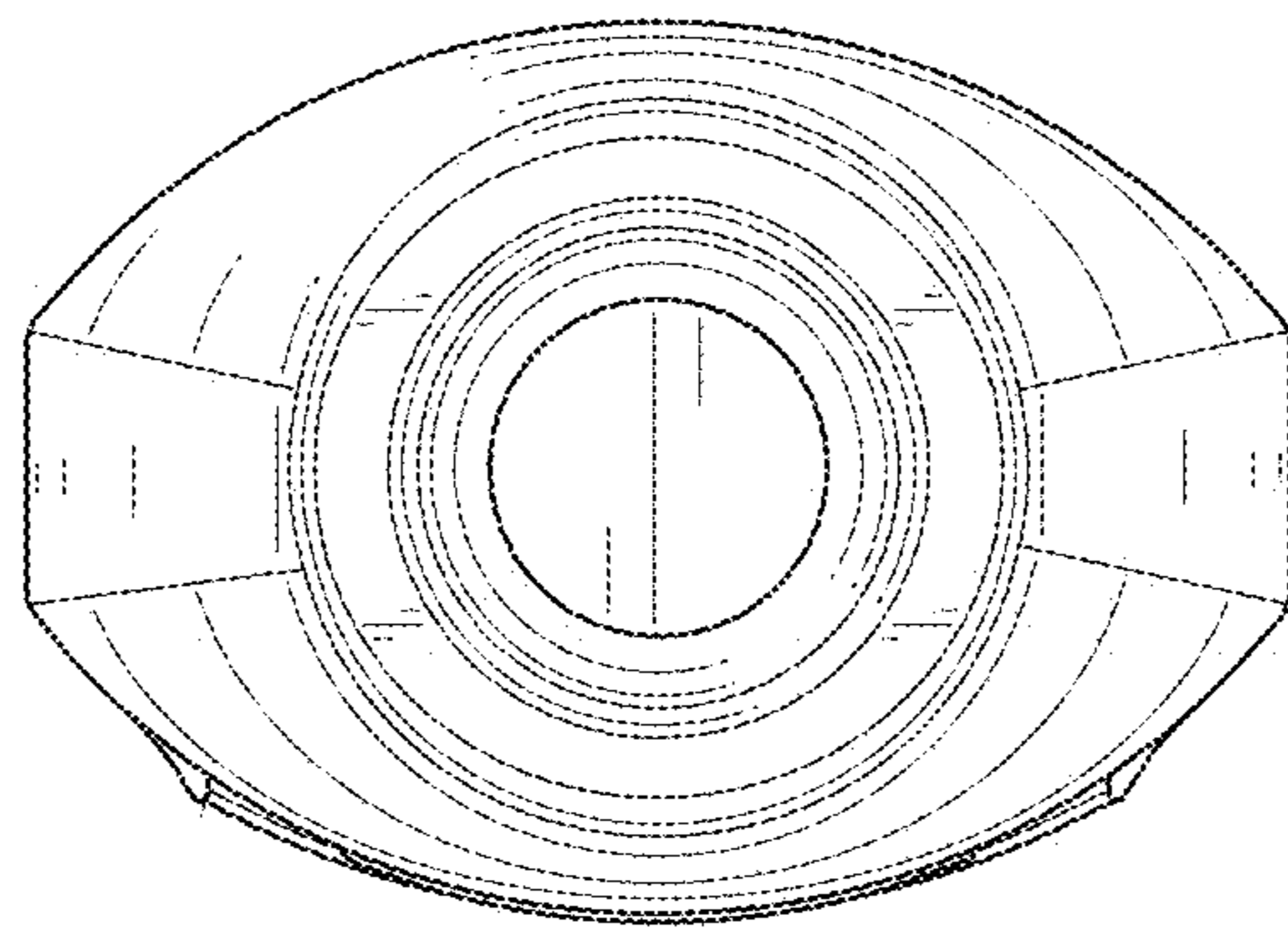


FIG. 6

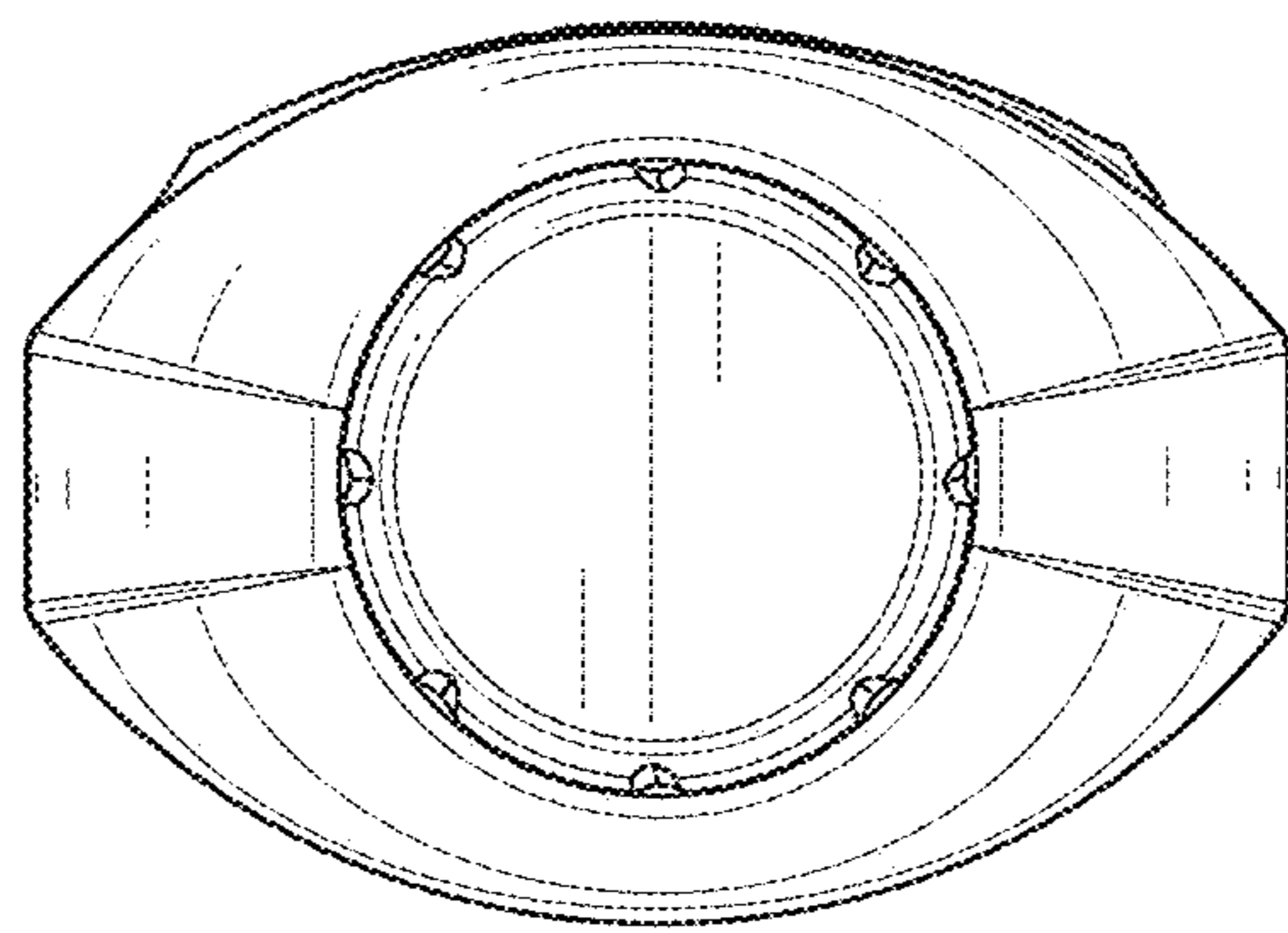


FIG. 7