



US00D897756S

(12) **United States Design Patent**
Dutruel

(10) **Patent No.:** **US D897,756 S**
(45) **Date of Patent:** **** Oct. 6, 2020**

(54) **STEAMER APPARATUS**

(71) Applicant: **SEB, Selongey (FR)**

(72) Inventor: **Laurent Dutruel, Sommieres (FR)**

(73) Assignee: **SEB, Selongey (FR)**

(**) Term: **15 Years**

(21) Appl. No.: **29/682,561**

(22) Filed: **Mar. 6, 2019**

(30) **Foreign Application Priority Data**

Sep. 7, 2018 (EP) 005633302-0001

(51) **LOC (12) Cl.** **07-02**

(52) **U.S. Cl.**

USPC **D7/360; D7/354**

(58) **Field of Classification Search**

USPC D7/323, 354-361, 391, 393

CPC A47J 27/00; A47J 27/004; A47J 27/04;

A47J 27/08; A47J 27/0802; A47J

27/0804; A47J 27/0811; A47J 27/0813;

A47J 27/0815; A47J 27/0817; A47J

27/084; A47J 27/09; A47J 27/092; A47J

36/025; A47J 36/027; A47J 36/06; A47J

36/16; A47J 37/12; A47J 37/1204; A47J

37/1209; A47J 45/07; A47J 45/071; A47J

45/074; A47J 45/08; B01D 2201/345;

B01J 3/03; B01J 3/04; F01P 2011/0247;

F01P 2011/0252; H05B 1/0266; H05B

6/00; H05B 6/02; H05B 6/06

See application file for complete search history.

(56) **References Cited**

U.S. PATENT DOCUMENTS

D278,403 S * 4/1985 Cesaroni D7/354

D566,457 S * 4/2008 Ryan D7/360

D577,247 S * 9/2008 Barnes D7/354
D618,040 S * 6/2010 Hoff D7/354
D635,819 S * 4/2011 Molayem D7/354
7,943,888 B2 * 5/2011 Barnes H05B 1/0266
219/432
D667,256 S * 9/2012 Krapfl D7/354
8,772,685 B2 * 7/2014 Backaert A47J 27/04
219/682
D761,613 S * 7/2016 Moon D7/354
D848,202 S * 5/2019 Carey D7/360
D850,184 S * 6/2019 Marsh D7/354
2007/0158339 A1 * 7/2007 Beckman A47J 36/027
219/734
2009/0095169 A1 * 4/2009 York A47J 36/16
99/448

* cited by examiner

Primary Examiner — Ricky Pham

(74) *Attorney, Agent, or Firm* — Loeb & Loeb LLP

(57) **CLAIM**

The ornamental design for a steamer apparatus, as shown and described.

DESCRIPTION

FIG. 1 is a perspective view of a steamer apparatus showing my new design;

FIG. 2 is a front elevational view thereof;

FIG. 3 is a rear elevational view thereof;

FIG. 4 is a right side elevational view thereof;

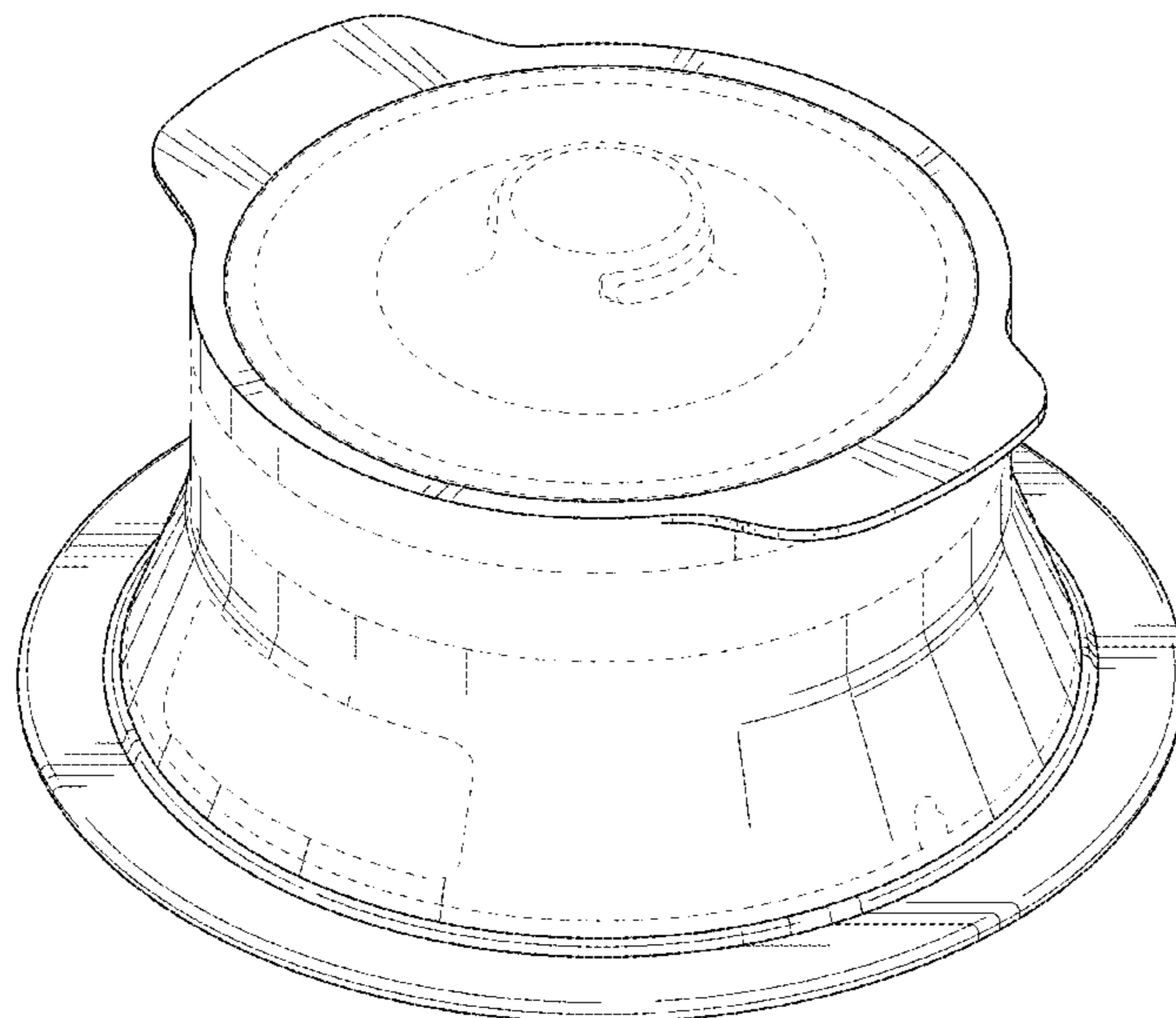
FIG. 5 is a left side elevational view thereof;

FIG. 6 is a top view thereof; and,

FIG. 7 is a bottom view thereof.

The broken lines shown in the drawings are provided for the purpose of illustrating portions of the steamer apparatus that form no part of the claimed design.

1 Claim, 7 Drawing Sheets



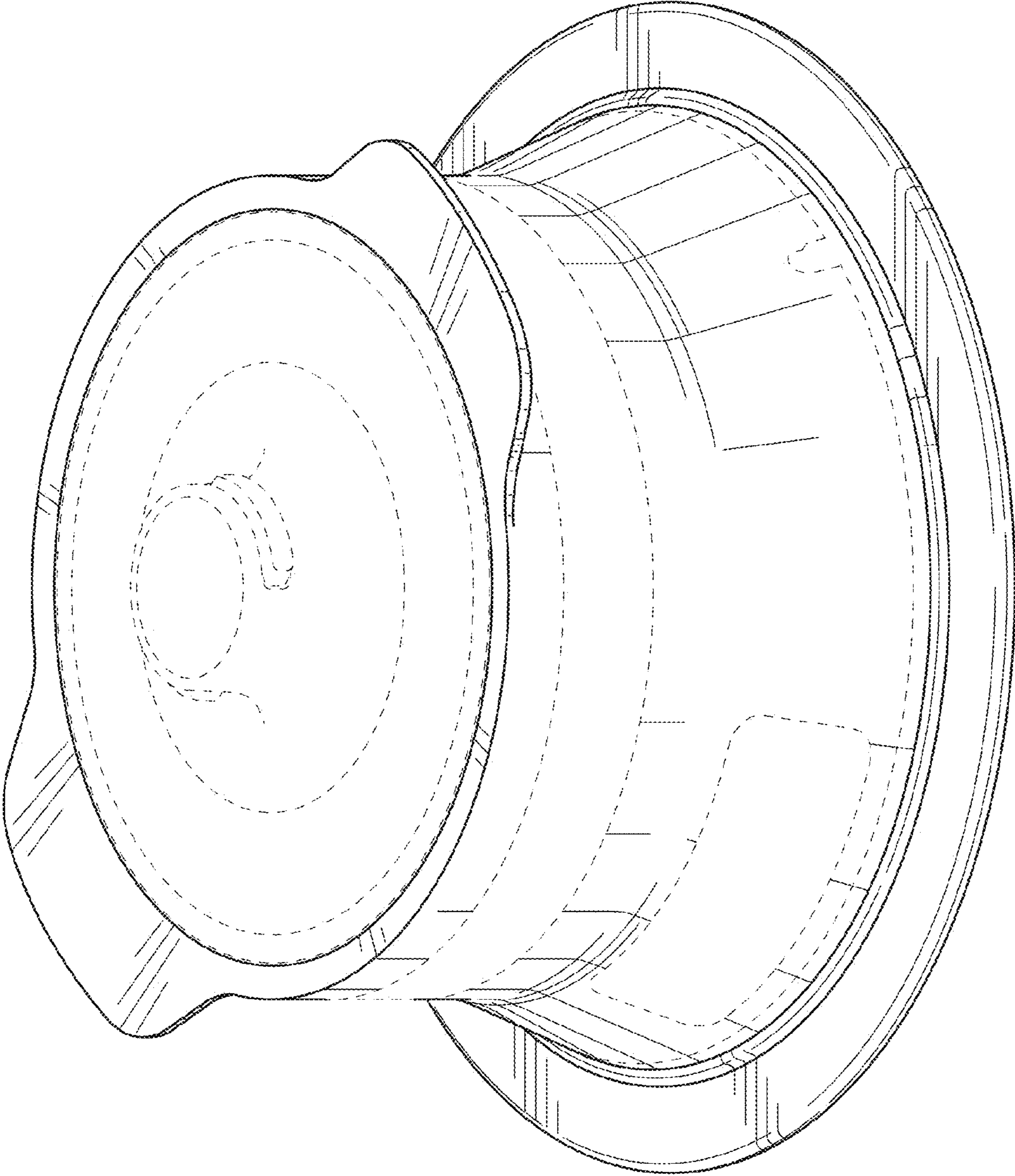


FIG. 1

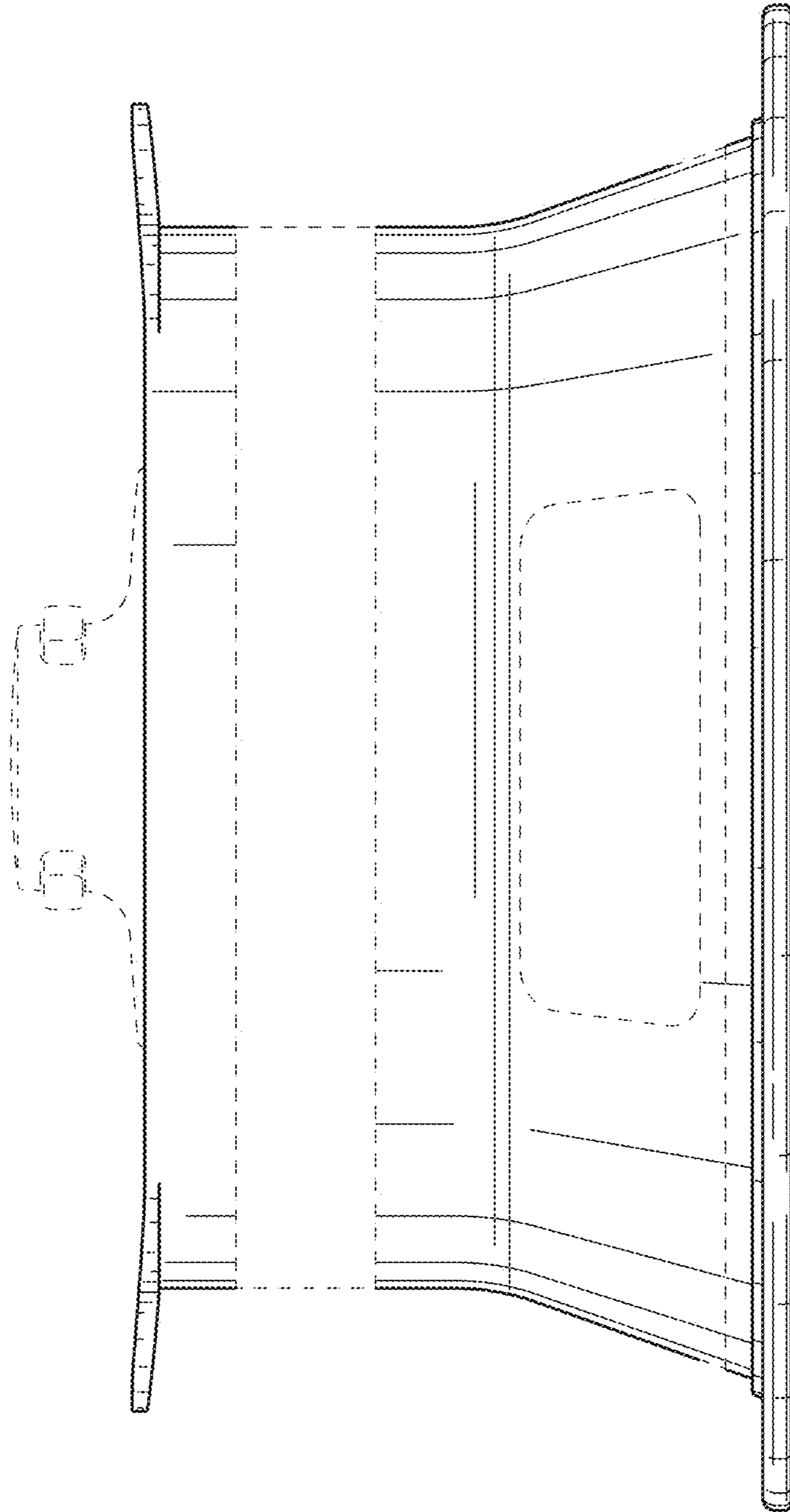


FIG. 2

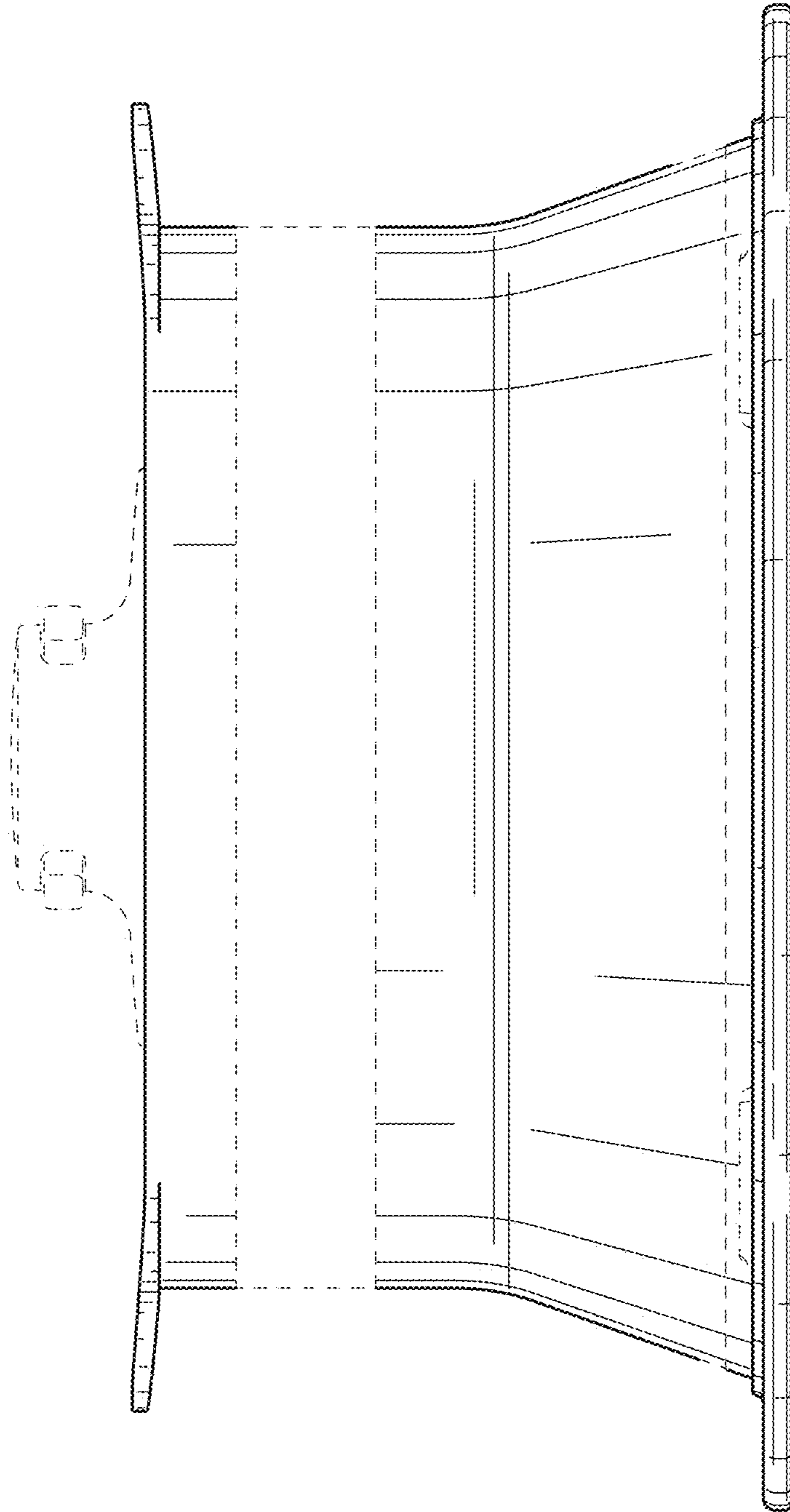


FIG. 3

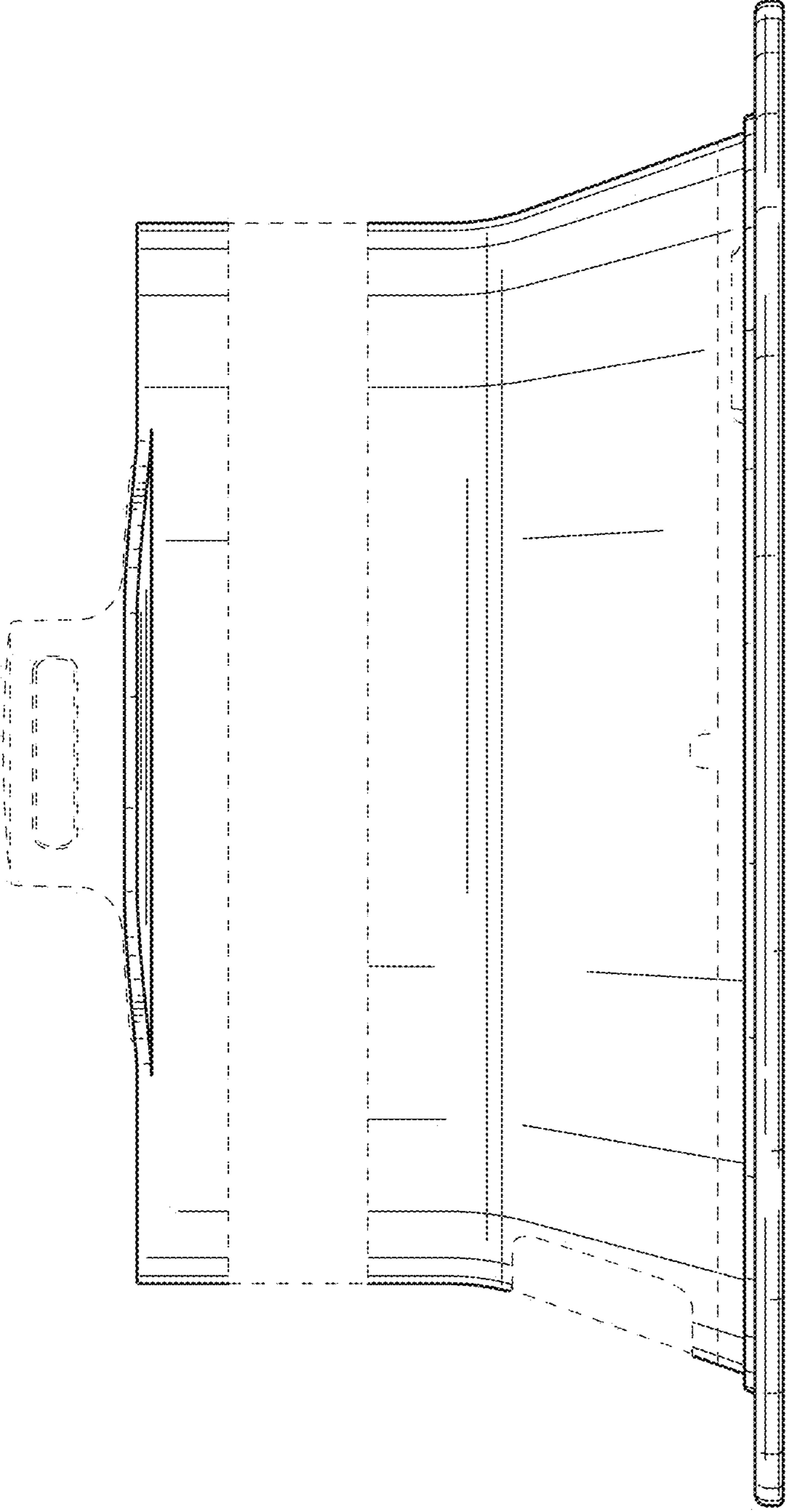


FIG. 4

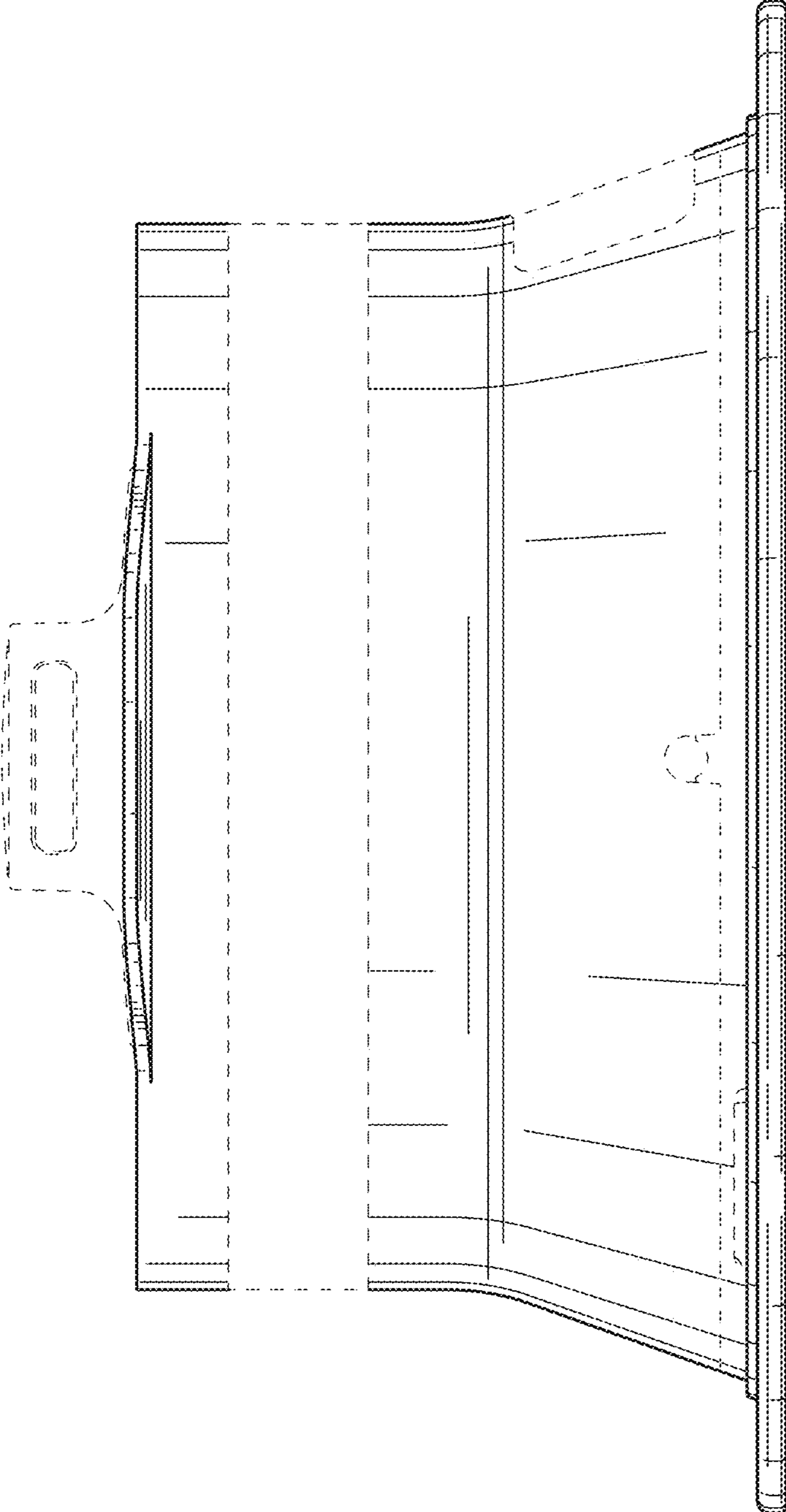


FIG. 5

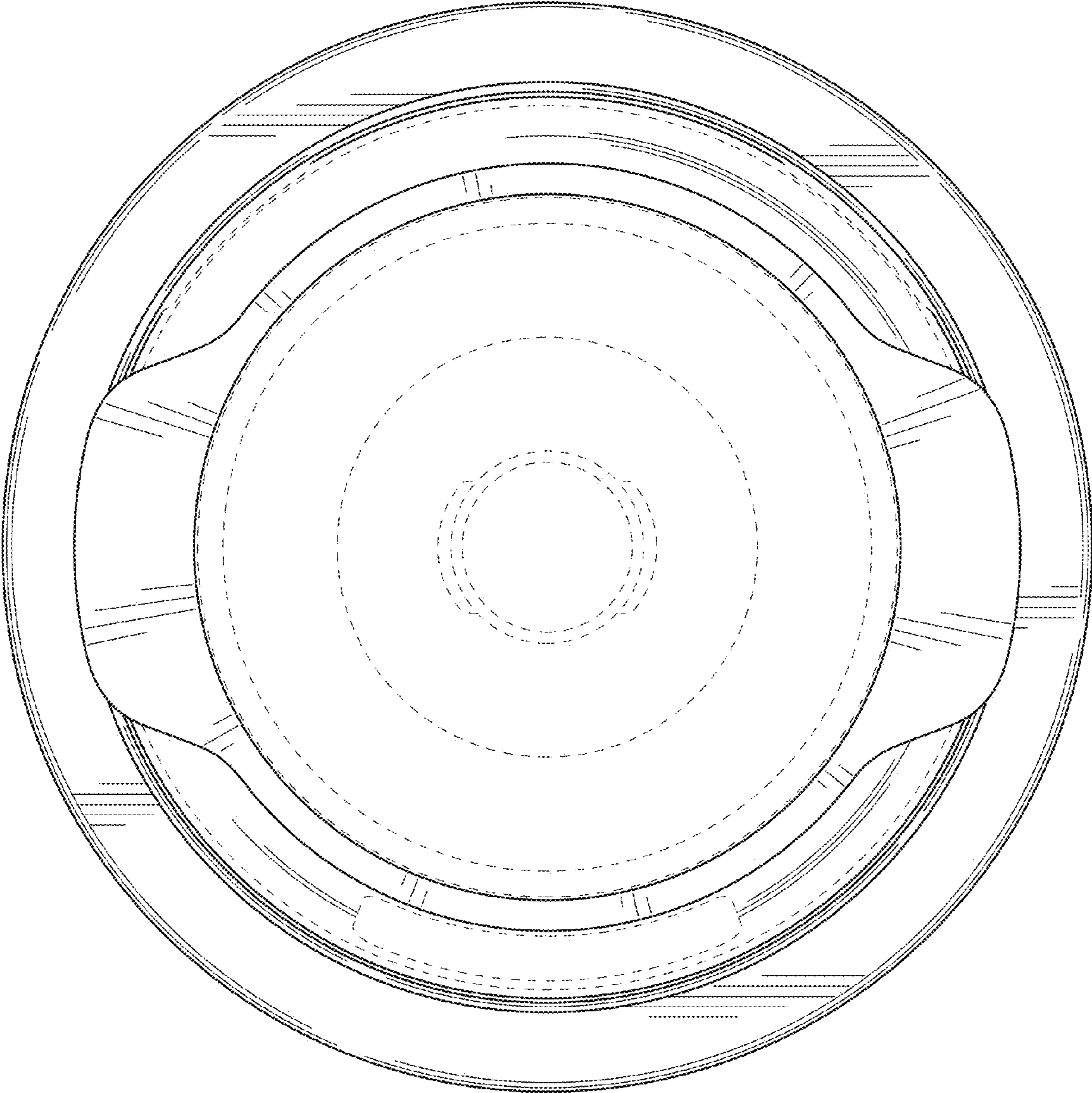


FIG. 6

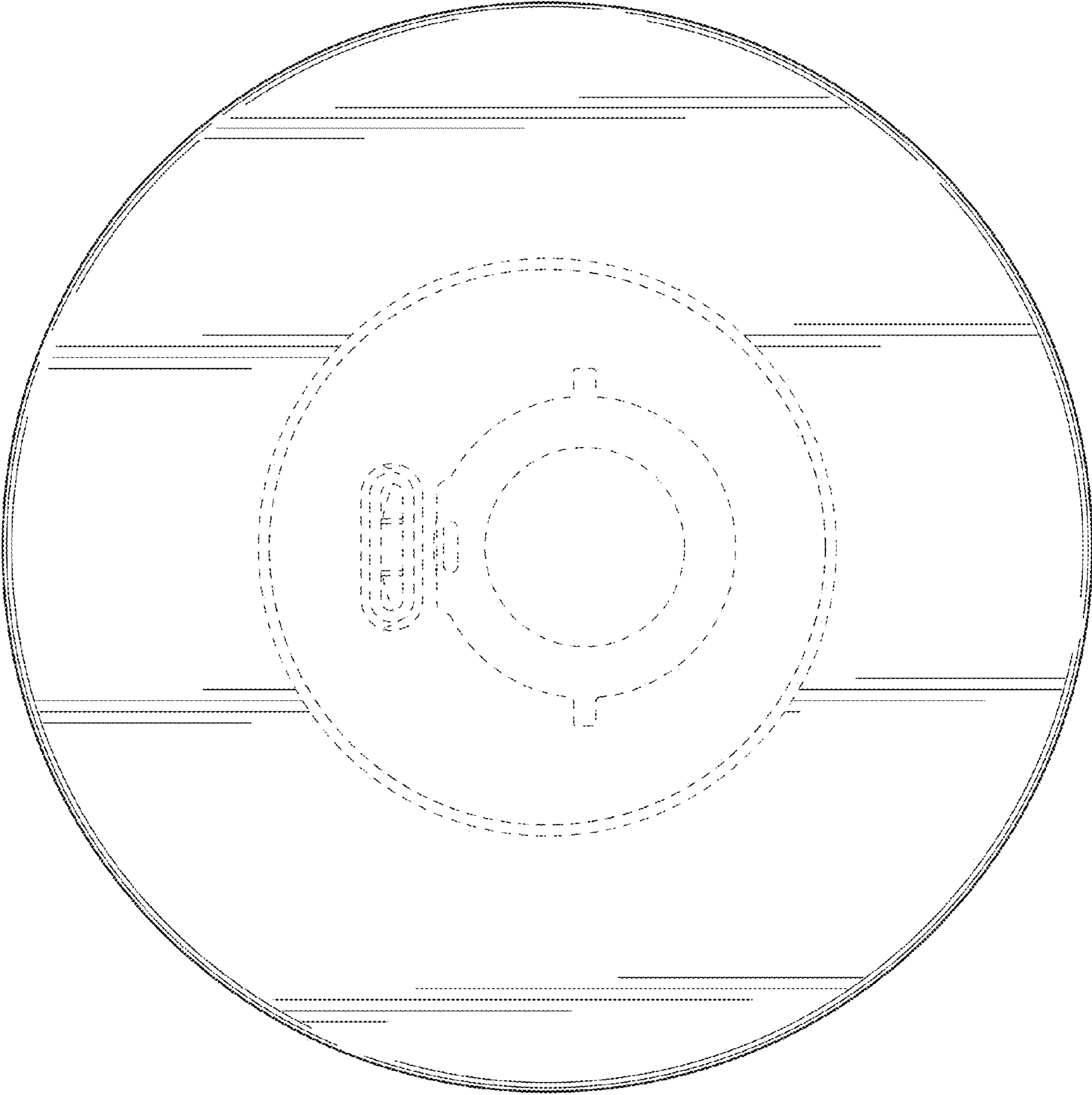


FIG. 7