



US00D897754S

(12) **United States Design Patent**  
**Mehmetalioglu**

(10) **Patent No.:** **US D897,754 S**

(45) **Date of Patent:** **\*\* Oct. 6, 2020**

(54) **OVEN**

(71) Applicant: **Arçelik Anonim Sirketi**, Istanbul (TR)

(72) Inventor: **Mehmet Mehmetalioglu**, Istanbul (TR)

(73) Assignee: **Arçelik Anonim Sirketi**, Istanbul (TR)

(\*\*) Term: **15 Years**

(21) Appl. No.: **29/670,567**

(22) Filed: **Nov. 16, 2018**

(30) **Foreign Application Priority Data**

Jun. 14, 2018 (EM) ..... 005310018

(51) **LOC (12) Cl.** ..... **07-02**

(52) **U.S. Cl.**  
USPC ..... **D7/349**; D7/347; D7/348

(58) **Field of Classification Search**  
USPC ..... D7/309, 323, 328-330, 339-349, 351,  
D7/390, 402-406; D8/300-306  
CPC . A21B 2/00; A47J 37/00; A47J 37/041; A47J  
37/06; A47J 37/0611; A47J 37/08; A47J  
37/0807; A47J 37/0814; A47J 37/0835;  
A47J 37/0842; A47J 37/085; A47J  
37/0864; A47J 37/0878; A47J 37/0885;  
A47J 37/0892; F24C 7/00; F24C 7/002;  
F24C 7/046; F24C 7/067; F24C 15/02;  
F24C 15/04; F24C 15/10; F24C 15/14;  
F24C 15/102

See application file for complete search history.

(56) **References Cited**

**U.S. PATENT DOCUMENTS**

D202,317 S *	9/1965	Waltman	.....	D7/349
D243,223 S *	2/1977	Suganoya	.....	D7/351
D443,178 S *	6/2001	Segers	.....	D7/349
D690,157 S *	9/2013	Baacke	.....	D7/405
D708,012 S *	7/2014	Baacke	.....	D7/405

(Continued)

*Primary Examiner* — Ricky Pham

(74) *Attorney, Agent, or Firm* — Fox Rothschild LLP

(57) **CLAIM**

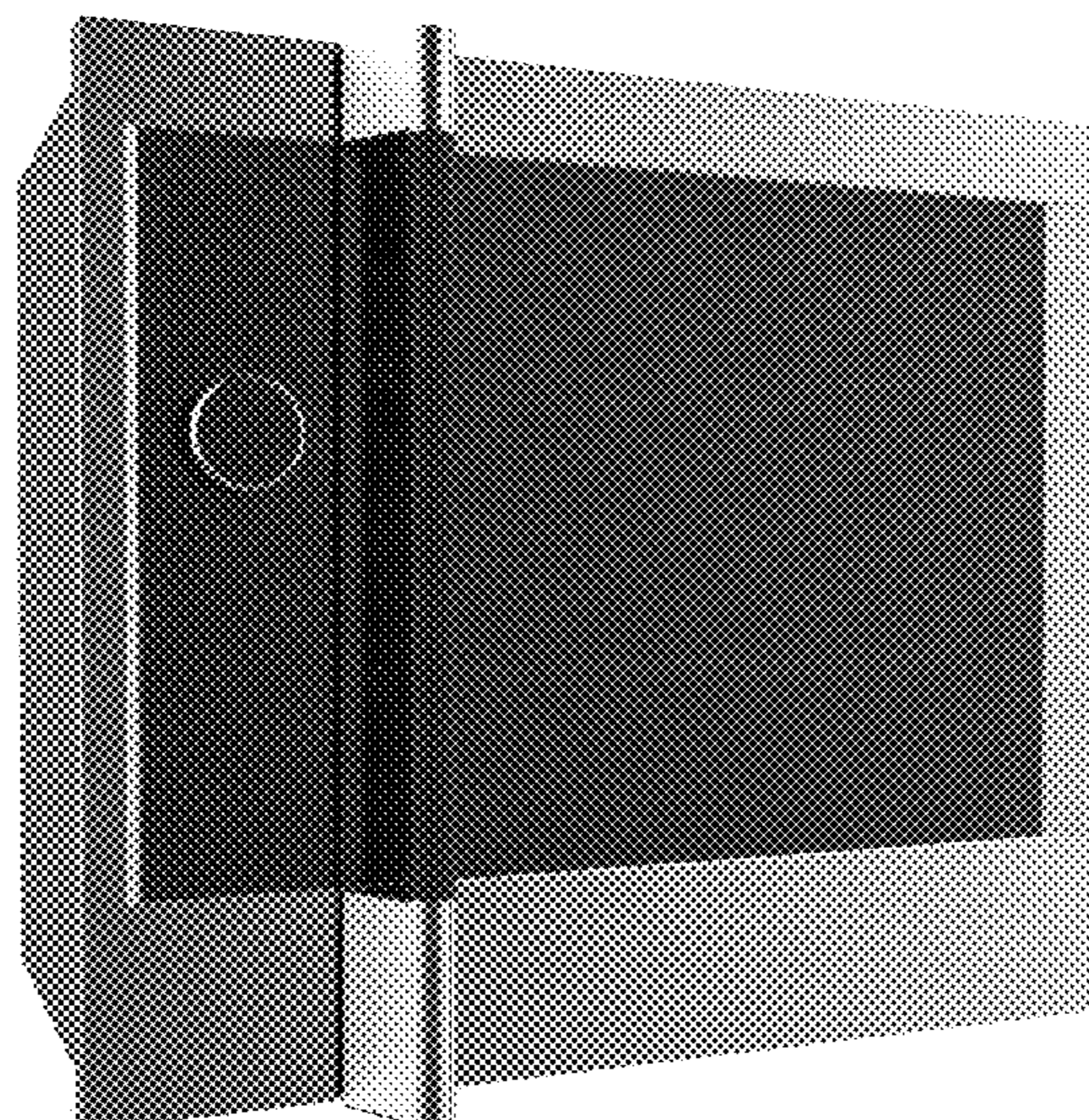
The ornamental designs for an oven, as shown and described.

**DESCRIPTION**

The patent or application file contains at least one drawing executed in color. Copies of this patent or patent application publication with color drawing(s) will be provided by the Office upon request and payment of the necessary fee.

FIG. 1 is a front elevation view of an oven.  
 FIG. 2 is a left perspective view of the oven.  
 FIG. 3 is a left perspective view of the oven.  
 FIG. 4 is a right perspective view of the oven.  
 FIG. 5 is a left side view of the oven.  
 FIG. 6 is a right side view of the oven.  
 FIG. 7 is a top view of the oven.  
 FIG. 8 is an enlarged left perspective view of the handle of the oven shown in FIG. 1.  
 FIG. 9 is an enlarged left side view of the handle of the oven shown in FIG. 1.  
 FIG. 10 is an enlarged right perspective view of the handle of the oven shown in FIG. 1.  
 FIG. 11 is an enlarged top view of the handle of the oven shown in FIG. 1.  
 FIG. 12 is an enlarged top perspective view of the handle of the oven shown in FIG. 1.  
 FIG. 13 is an enlarged side view of the knob of the oven shown in FIG. 1.  
 FIG. 14 is an enlarged top view of the knob of the oven shown in FIG. 1.  
 FIG. 15 is an enlarged perspective view of the knob of the oven shown in FIG. 1; and,  
 FIG. 16 is an enlarged perspective view of the knob of the oven shown in FIG. 1.

**1 Claim, 16 Drawing Sheets**  
**(16 of 16 Drawing Sheet(s) Filed in Color)**



(56)

**References Cited**

U.S. PATENT DOCUMENTS

D736,028 S *	8/2015	Baacke .....	D7/348
D738,672 S *	9/2015	Baacke .....	D7/348
D784,065 S *	4/2017	Goss .....	D7/349
D836,965 S *	1/2019	Goss .....	D7/347
D862,146 S *	10/2019	Lim .....	D7/309
D889,187 S *	7/2020	Goss .....	D7/347

\* cited by examiner

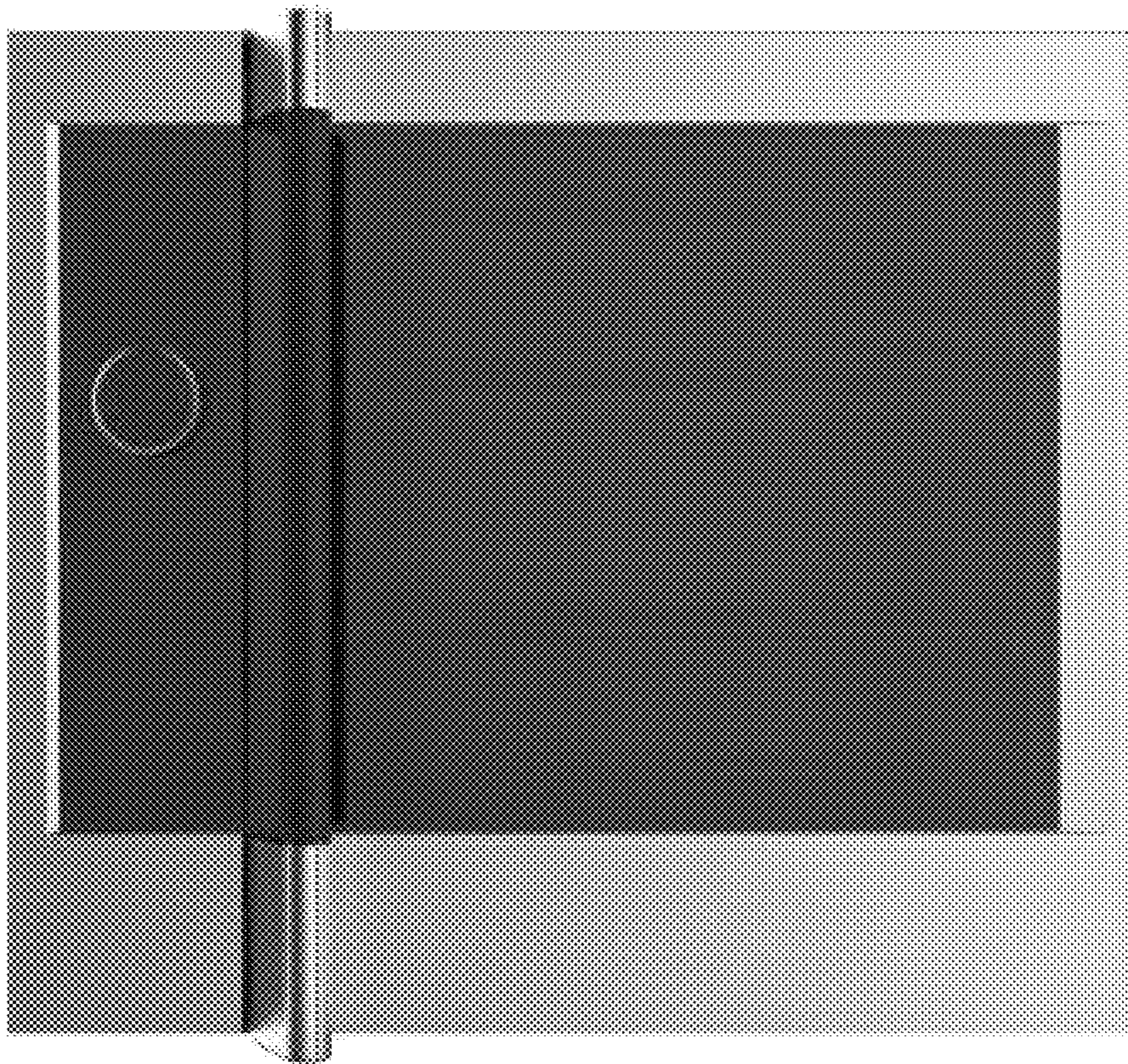


FIG. 1



FIG. 2



FIG. 3

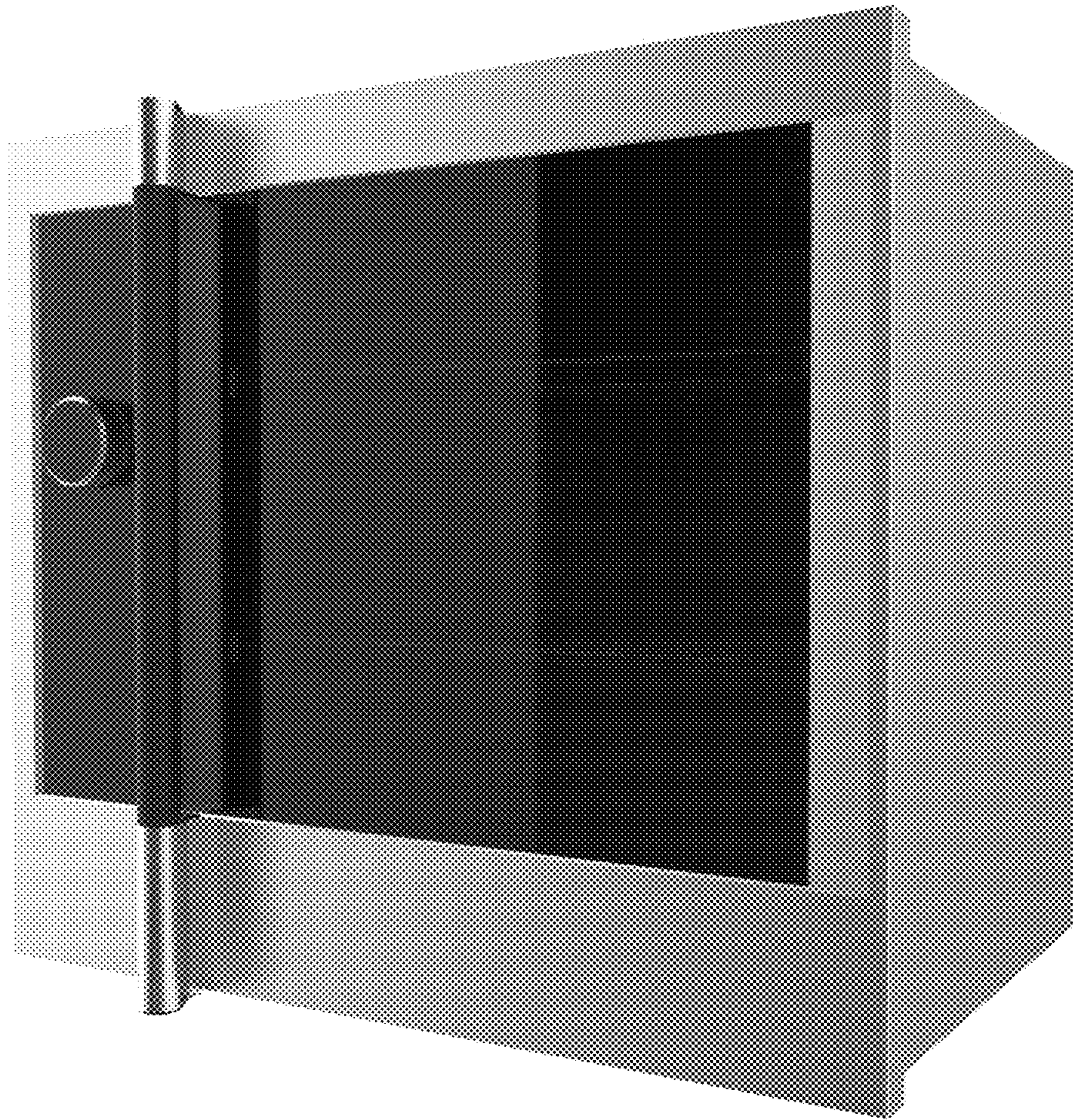


FIG. 4



FIG. 5

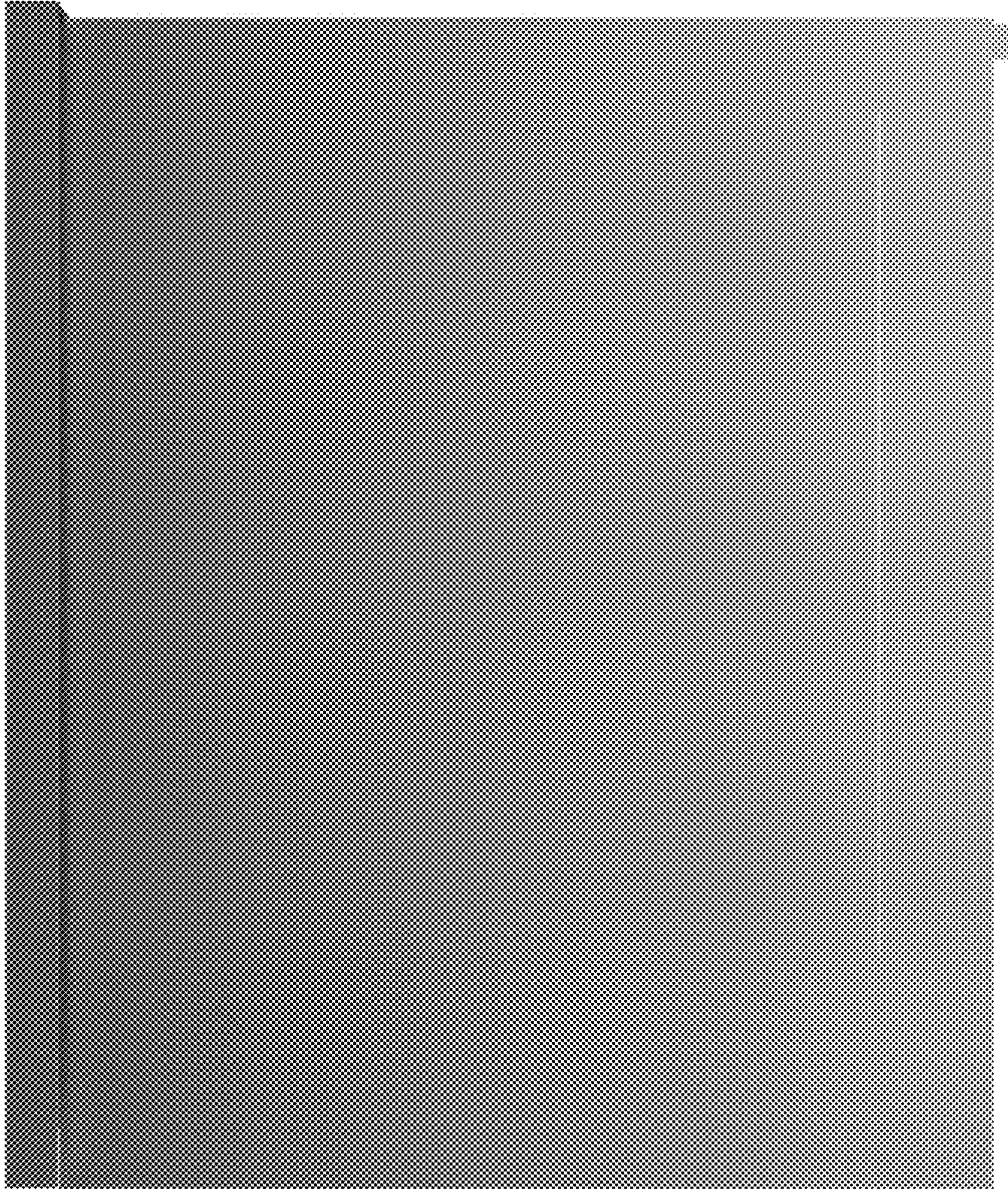


FIG. 6



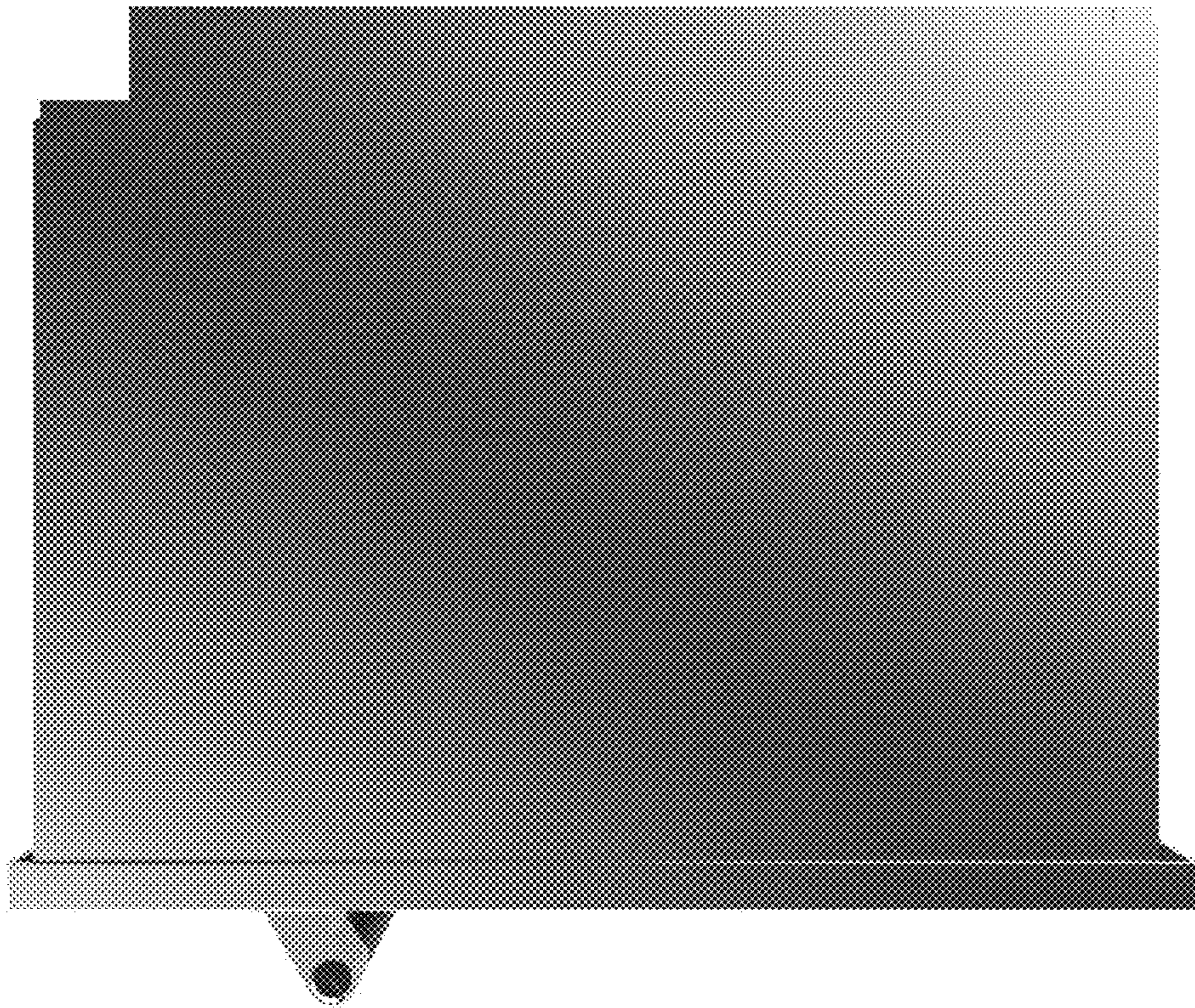


FIG. 7

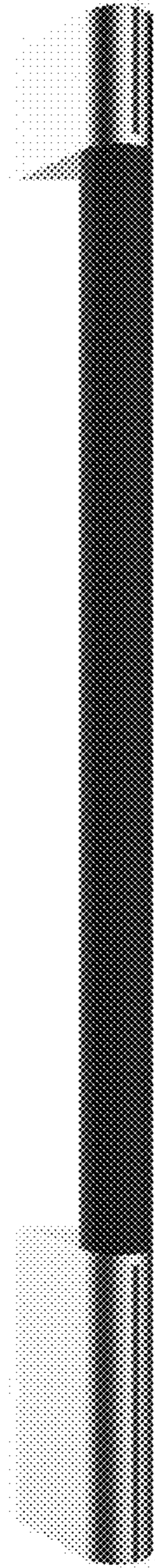


FIG. 8

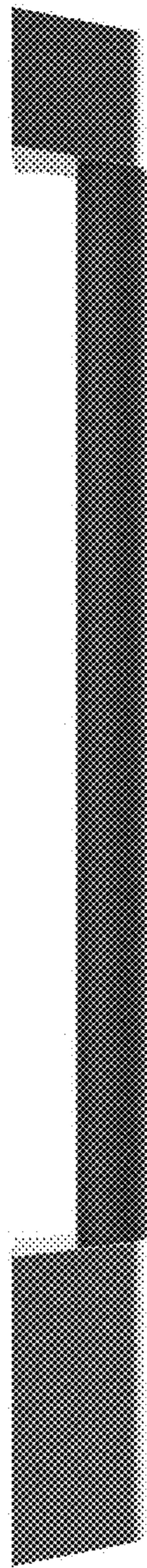


FIG. 9

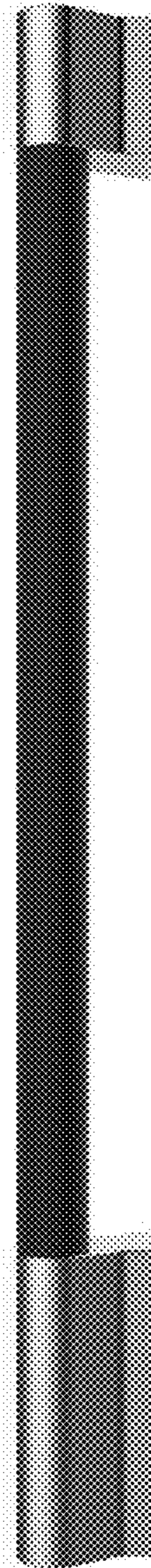


FIG. 10

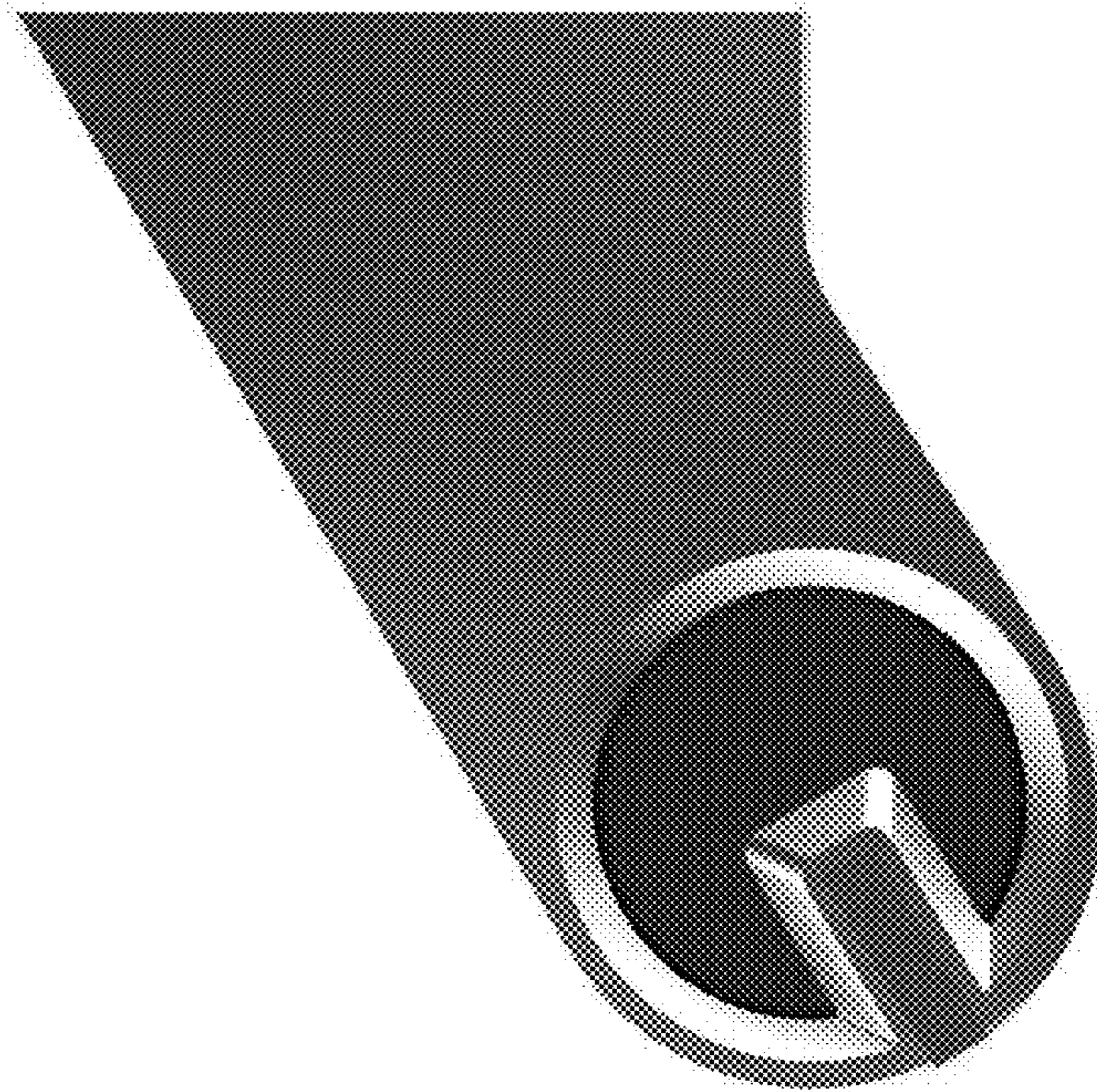


FIG. 11

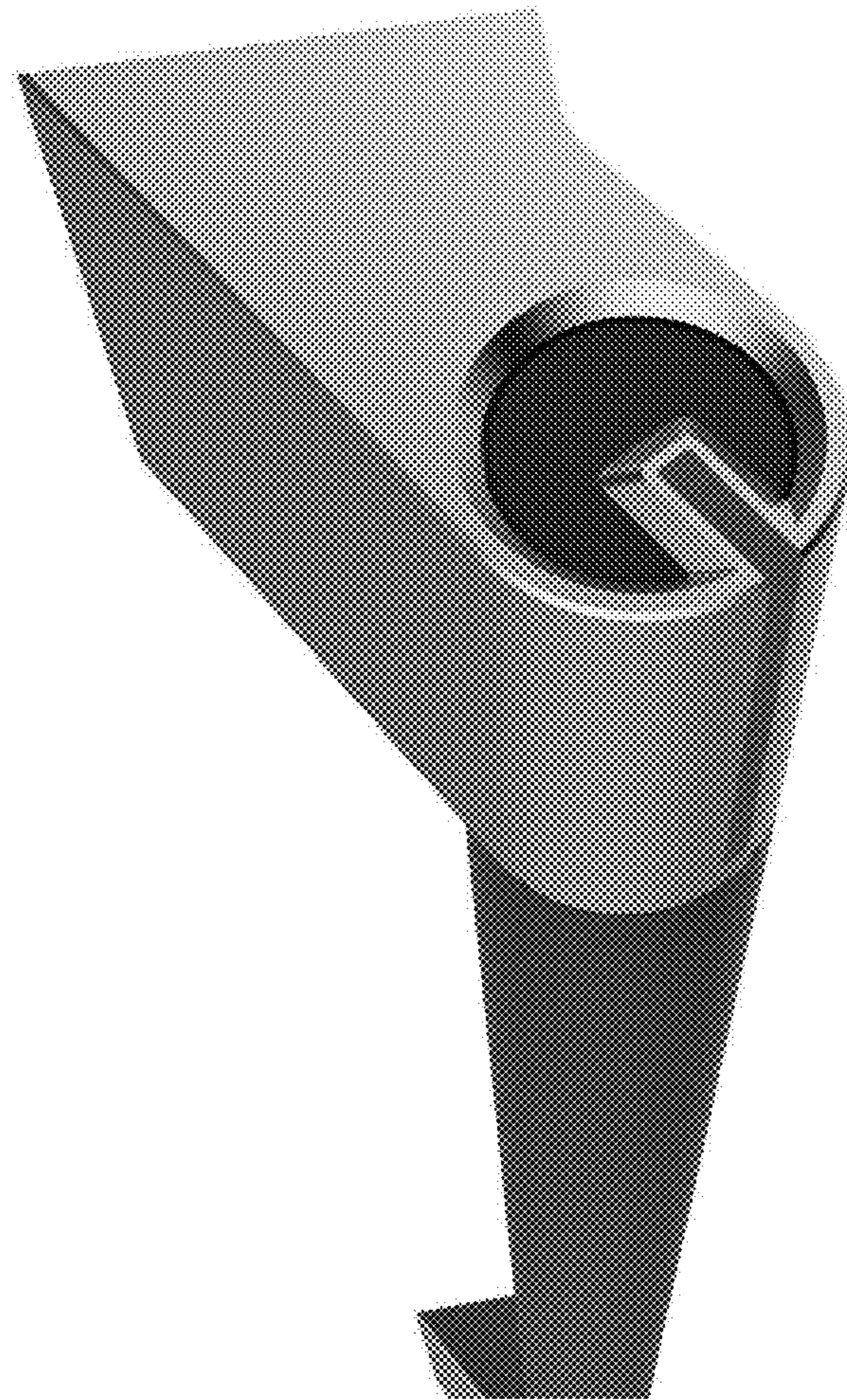


FIG. 12

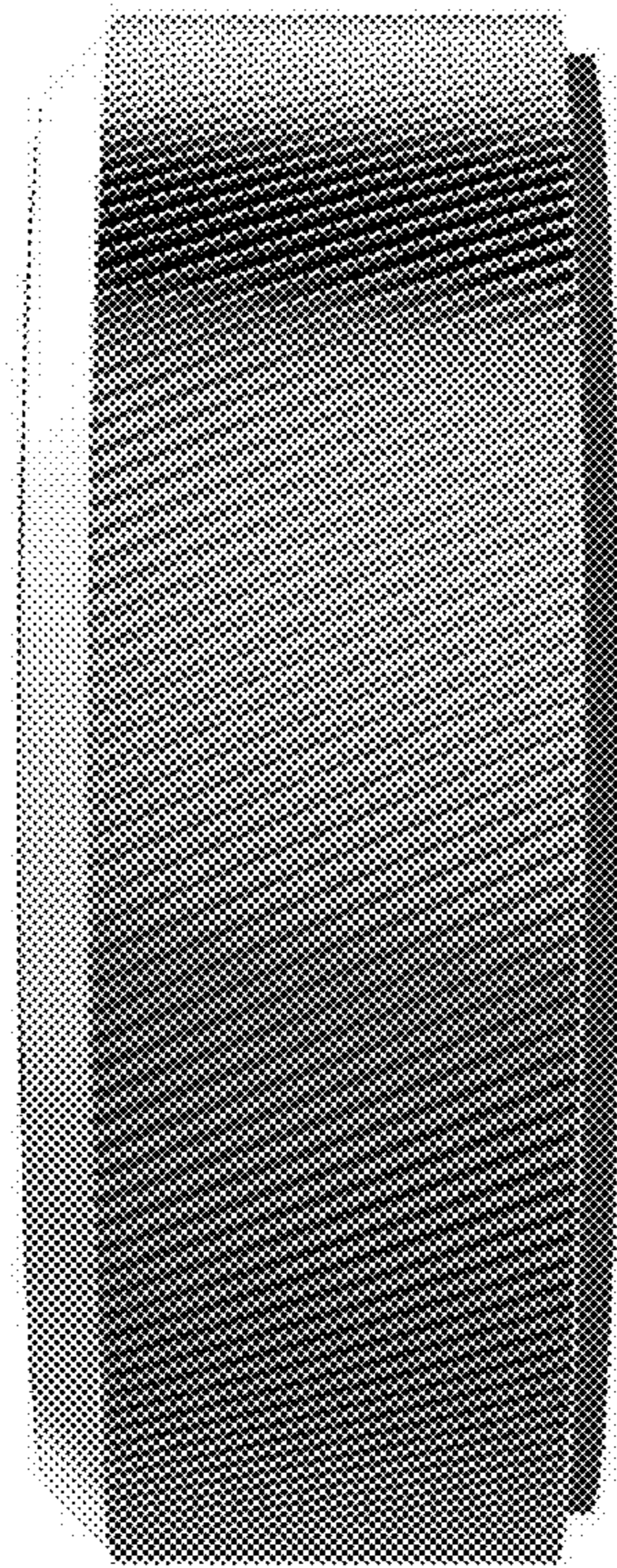


FIG. 13

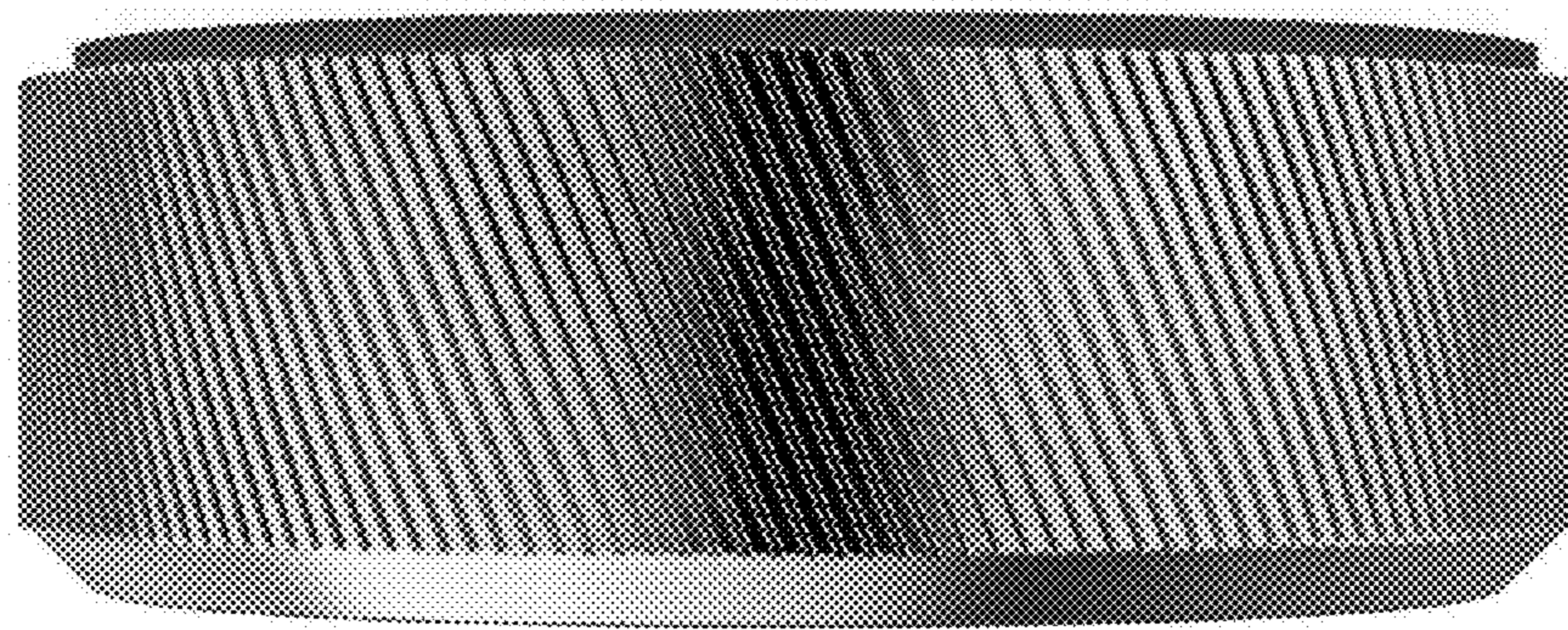


FIG. 14



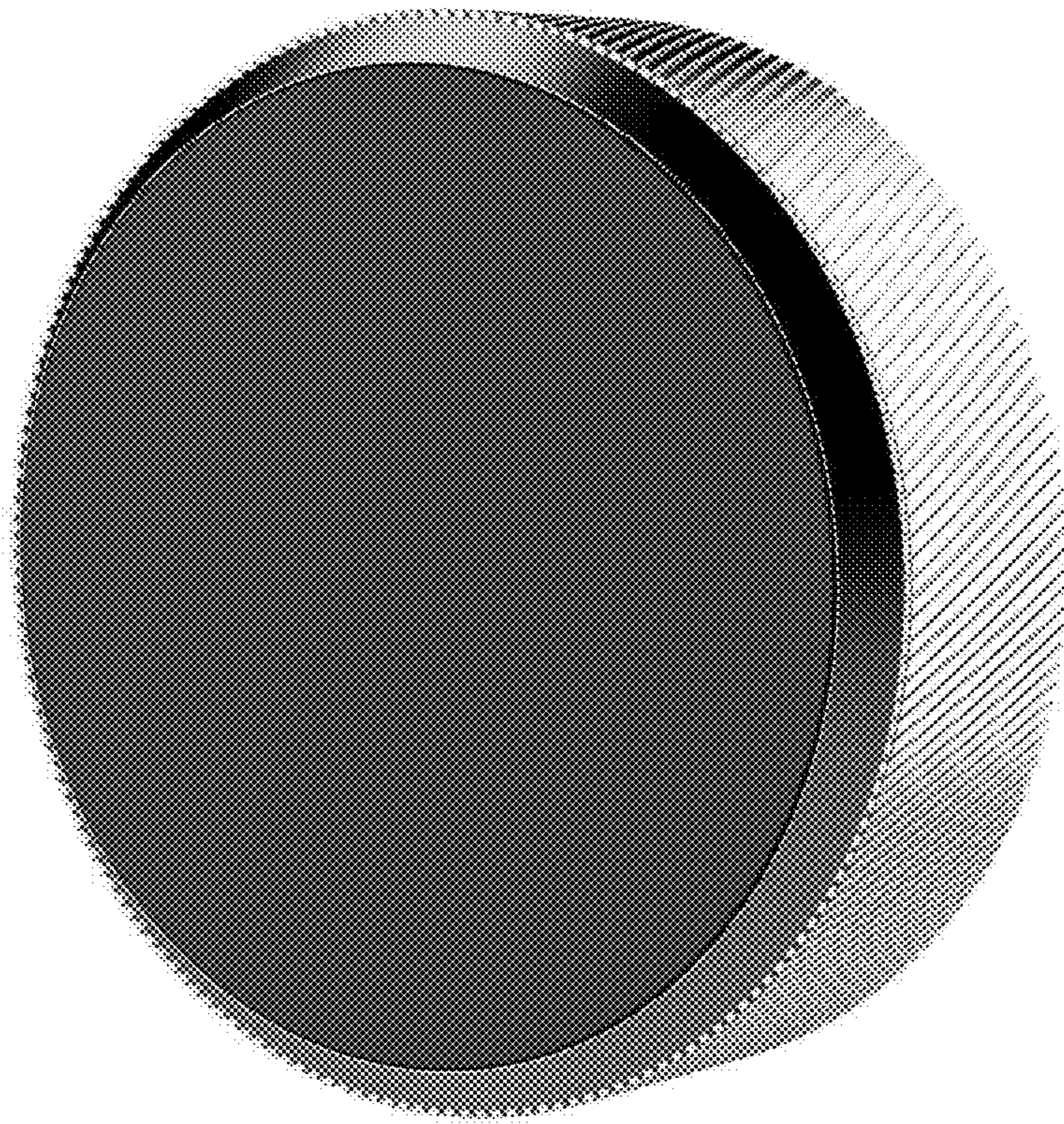


FIG. 15



FIG. 16