



US00D897753S

(12) **United States Design Patent** (10) **Patent No.:** **US D897,753 S**
Lee (45) **Date of Patent:** **** Oct. 6, 2020**

(54) **BARBECUE GRILL**

(71) Applicant: **Foshan Juguan Metal Manufacturing Co., Ltd.**, Foshan (CN)

(72) Inventor: **Jiebo Lee**, Foshan (CN)

(73) Assignee: **Foshan Juguan Metal Manufacturing Co., Ltd.**, Foshan (CN)

(**) Term: **15 Years**

(21) Appl. No.: **29/674,272**

(22) Filed: **Dec. 20, 2018**

(30) **Foreign Application Priority Data**

Jun. 21, 2018 (CN) 2018 3 0322491

(51) **LOC (12) Cl.** **07-02**

(52) **U.S. Cl.**
USPC **D7/337**

(58) **Field of Classification Search**

USPC D7/332-338, 402-409, 355, 356, 360, D7/362, 364, 365, 366, 363, 352, 350.1; D23/343, 348, 332, 335, 314, 345, 415; D3/294-296, 276, 905; 126/40
CPC A47J 37/07-0763; A47J 37/0781; A47J 37/0786; A47J 2037/0777; A47J 33/00; A47J 2201/00; A47J 36/26; F24C 3/14; F24C 1/16; F24C 5/20; F24B 1/181; F24B 1/19; F24B 1/195; F24B 1/00; F24B 1/202-207; F24B 3/00; F23B 20/00; F23D 14/28

See application file for complete search history.

(56) **References Cited**

U.S. PATENT DOCUMENTS

D401,805 S * 12/1998 Benz D7/355
D422,172 S * 4/2000 Hsu D7/337

D423,280 S * 4/2000 Lin D7/337
D434,267 S * 11/2000 Yu D7/355
D446,678 S * 8/2001 Pai D7/337
D510,838 S * 10/2005 Nipke D7/334
D535,522 S * 1/2007 Seager D7/332
D631,279 S * 1/2011 Davis D7/332
D676,702 S * 2/2013 Chung D7/337
D703,993 S * 5/2014 Garman D7/350.1
D726,490 S * 4/2015 Spencer D7/332
D859,052 S * 9/2019 Lee D7/337
2002/0108502 A1* 8/2002 Kim A47J 37/0709
99/419
2010/0180881 A1* 7/2010 Chen A47J 37/0713
126/25 R

(Continued)

Primary Examiner — Brett Miller

(74) *Attorney, Agent, or Firm* — Michael Dryja

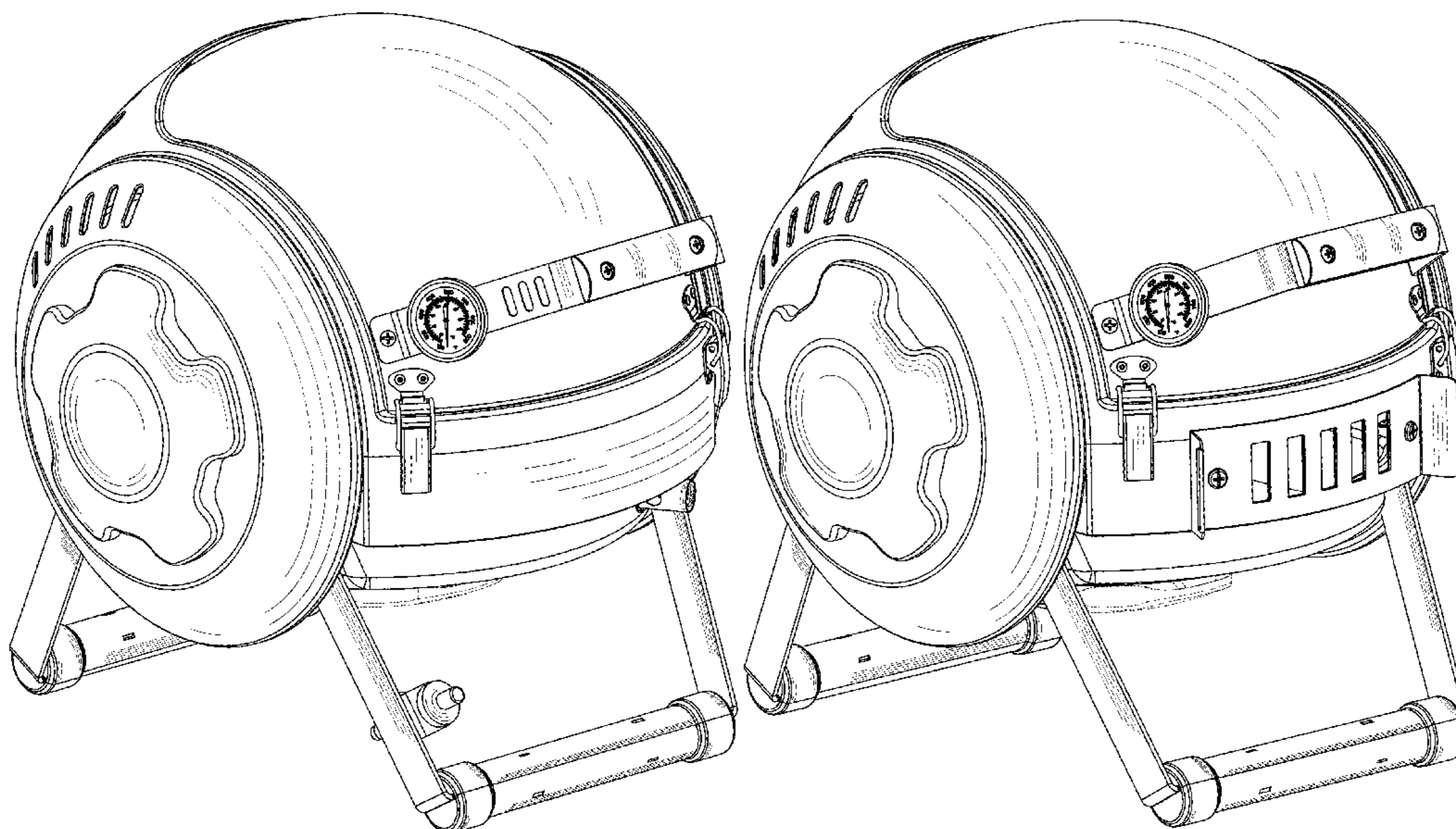
(57) **CLAIM**

The ornamental design for a barbecue grill, as shown and described.

DESCRIPTION

FIG. 1 is a front perspective view of a barbecue grill. FIG. 2 is a front view of the barbecue grill of FIG. 1. FIG. 3 is a rear view of the barbecue grill of FIG. 1. FIG. 4 is a left side view of the barbecue grill of FIG. 1. FIG. 5 is a right side view of the barbecue grill of FIG. 1. FIG. 6 is a top view of the barbecue grill of FIG. 1. FIG. 7 is a bottom view of the barbecue grill of FIG. 1. FIG. 8 is a front perspective view of another barbecue grill. FIG. 9 is a front view of the barbecue grill of FIG. 8. FIG. 10 is a rear view of the barbecue grill of FIG. 8. FIG. 11 is a left side view of the barbecue grill of FIG. 8. FIG. 12 is a right side view of the barbecue grill of FIG. 8. FIG. 13 is a top view of the barbecue grill of FIG. 8; and, FIG. 14 is a bottom view of the barbecue grill of FIG. 8.

1 Claim, 14 Drawing Sheets



(56)

References Cited

U.S. PATENT DOCUMENTS

2012/0227732 A1* 9/2012 Chen A47J 37/0763
126/9 R

* cited by examiner

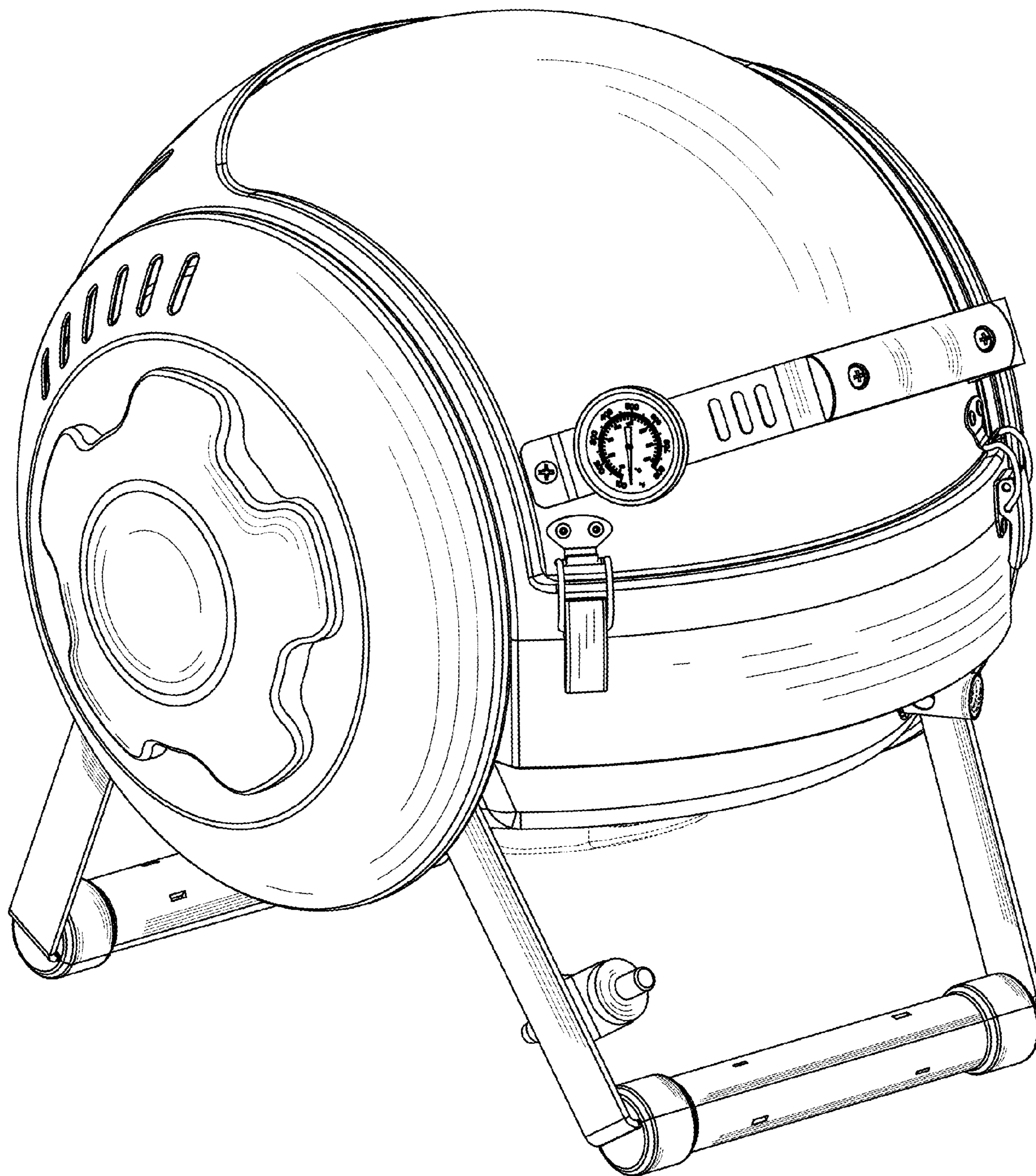


FIG. 1

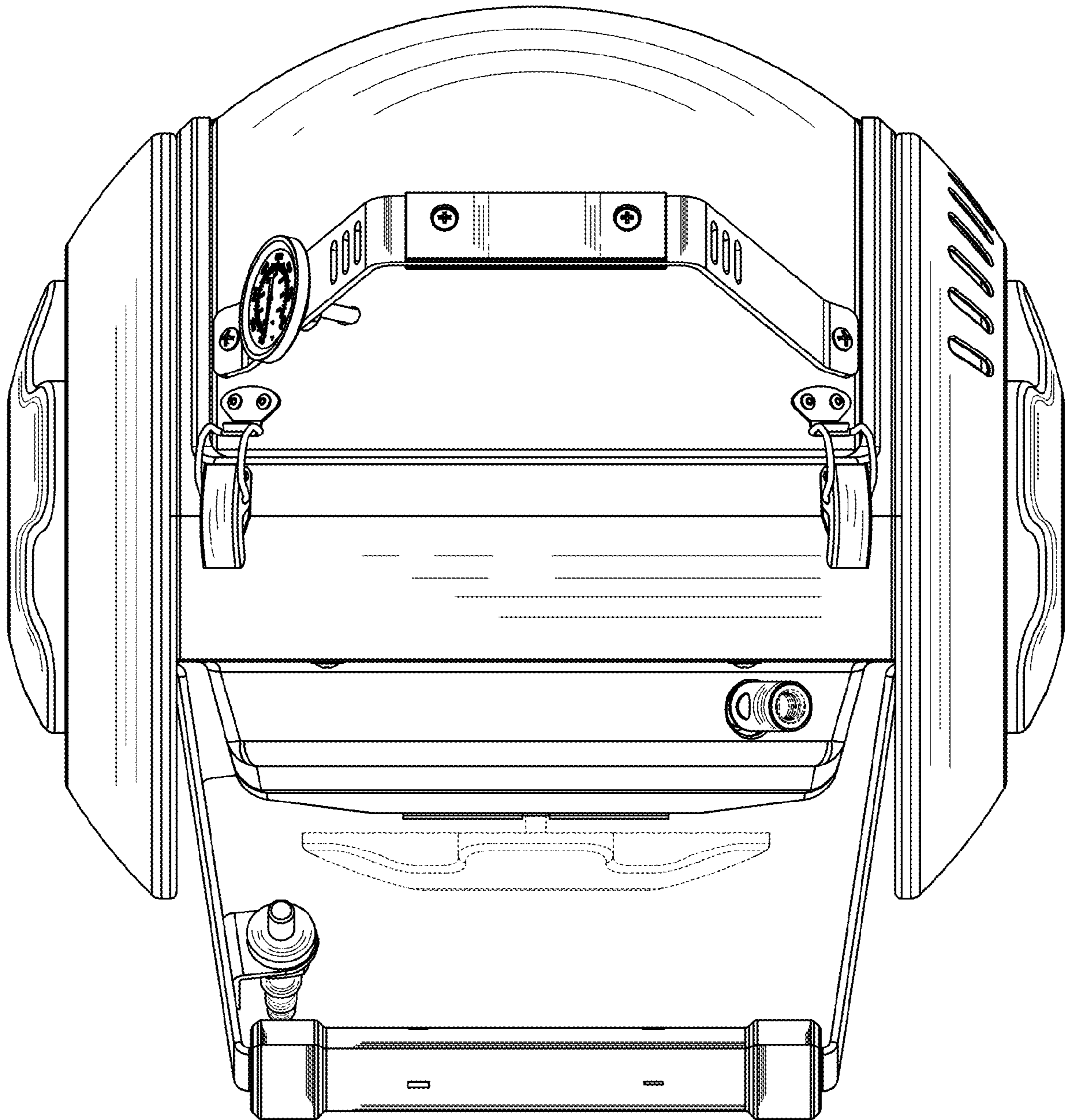


FIG. 2

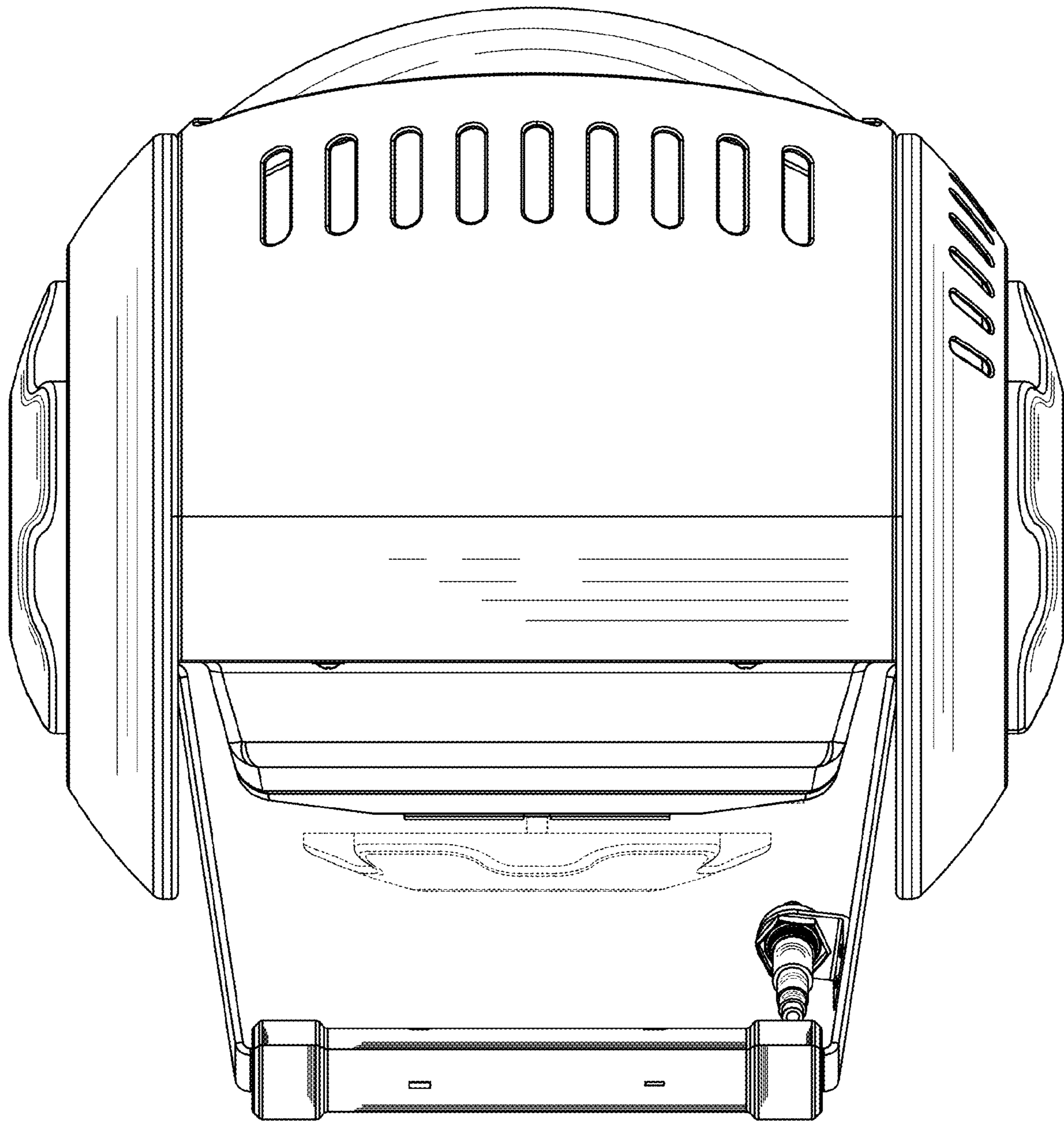


FIG. 3

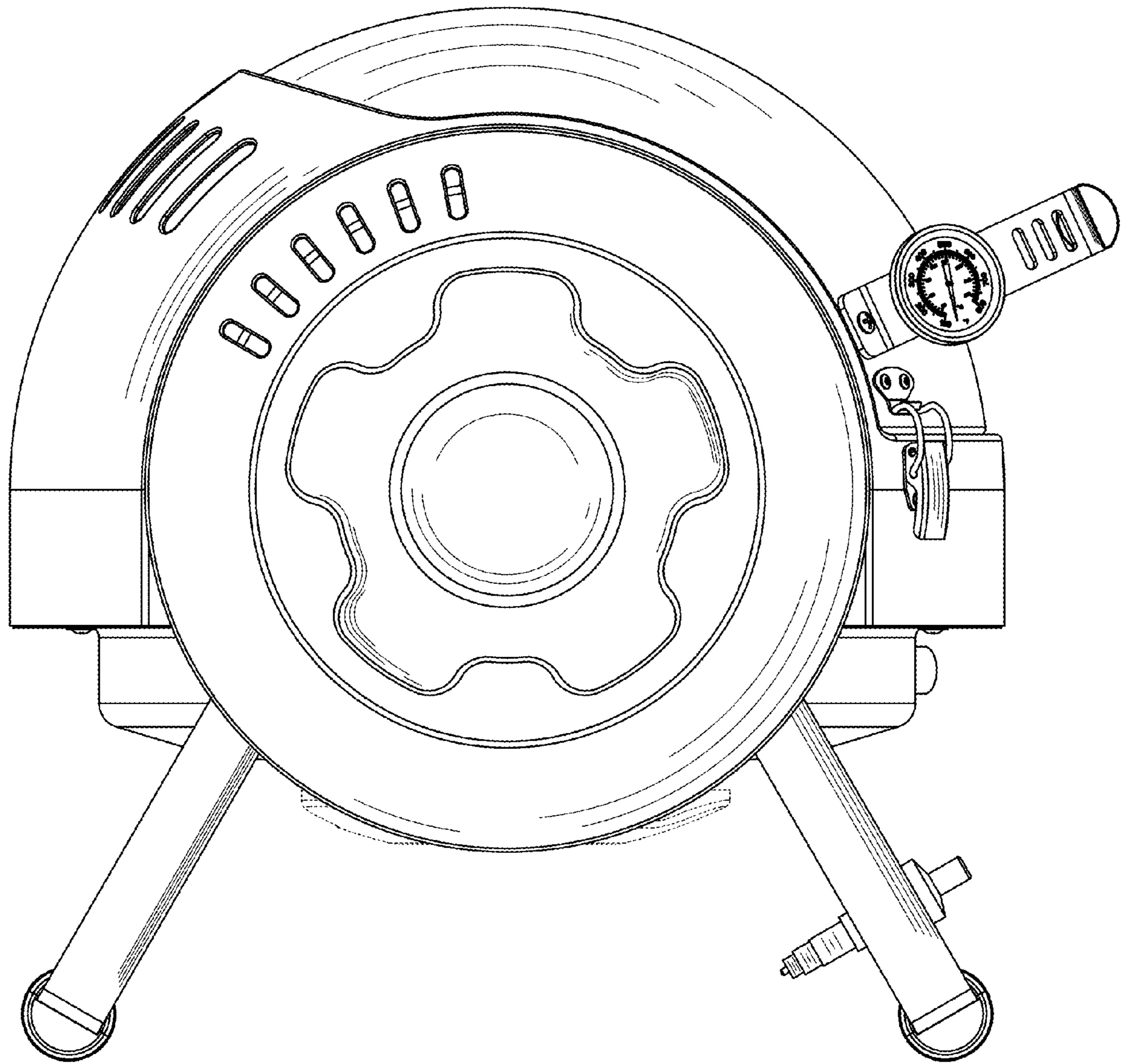


FIG. 4

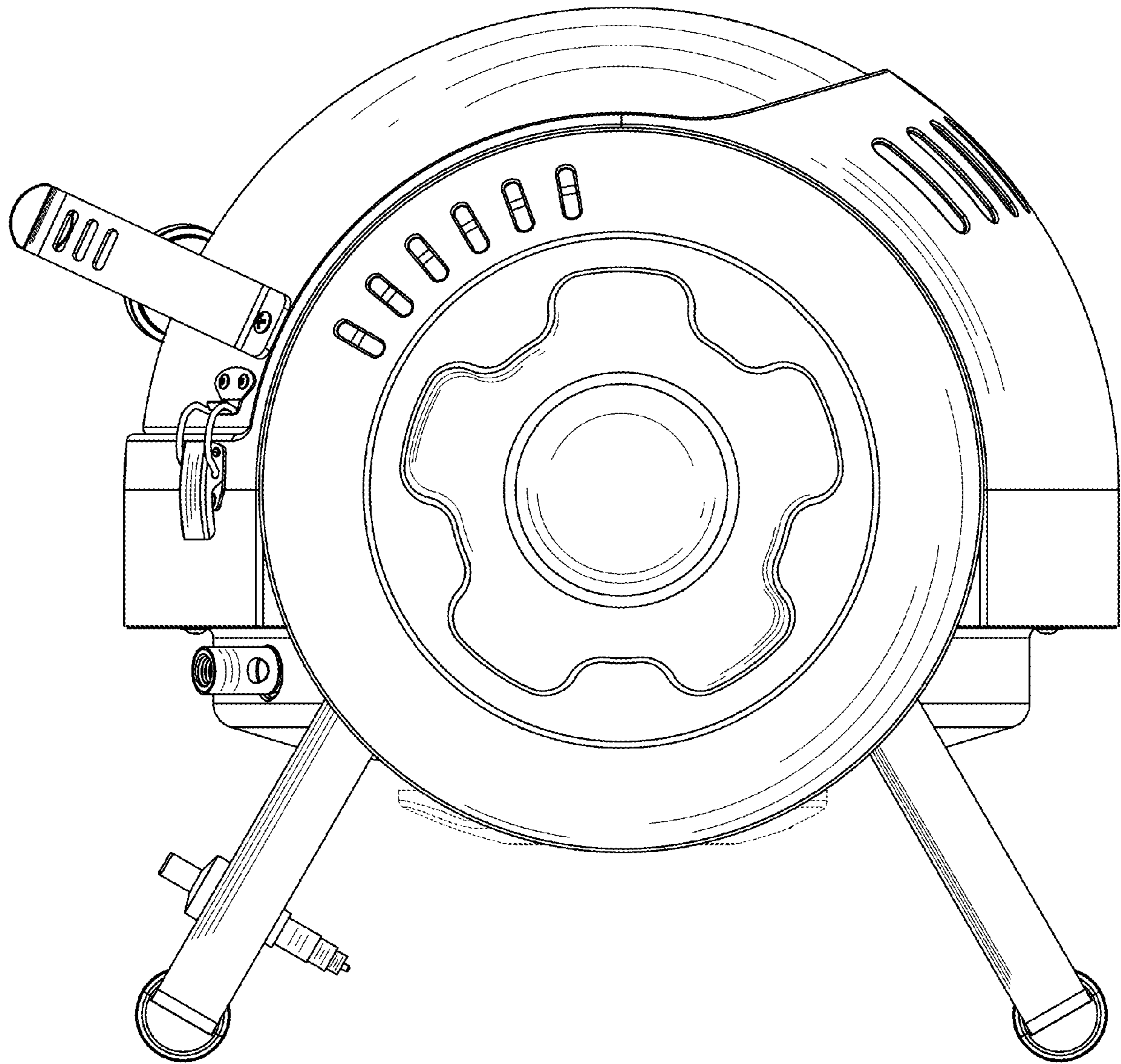


FIG. 5

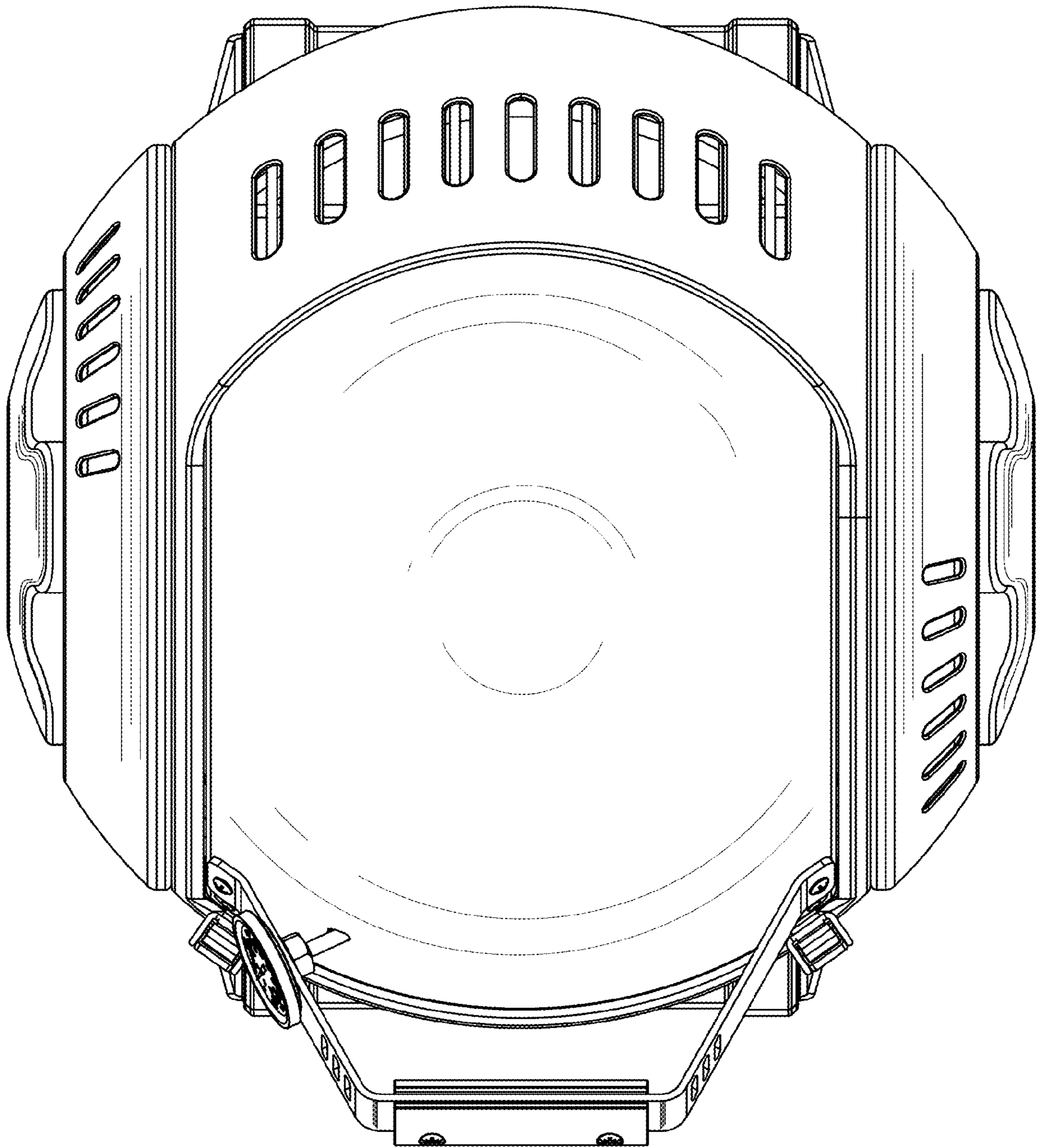


FIG. 6

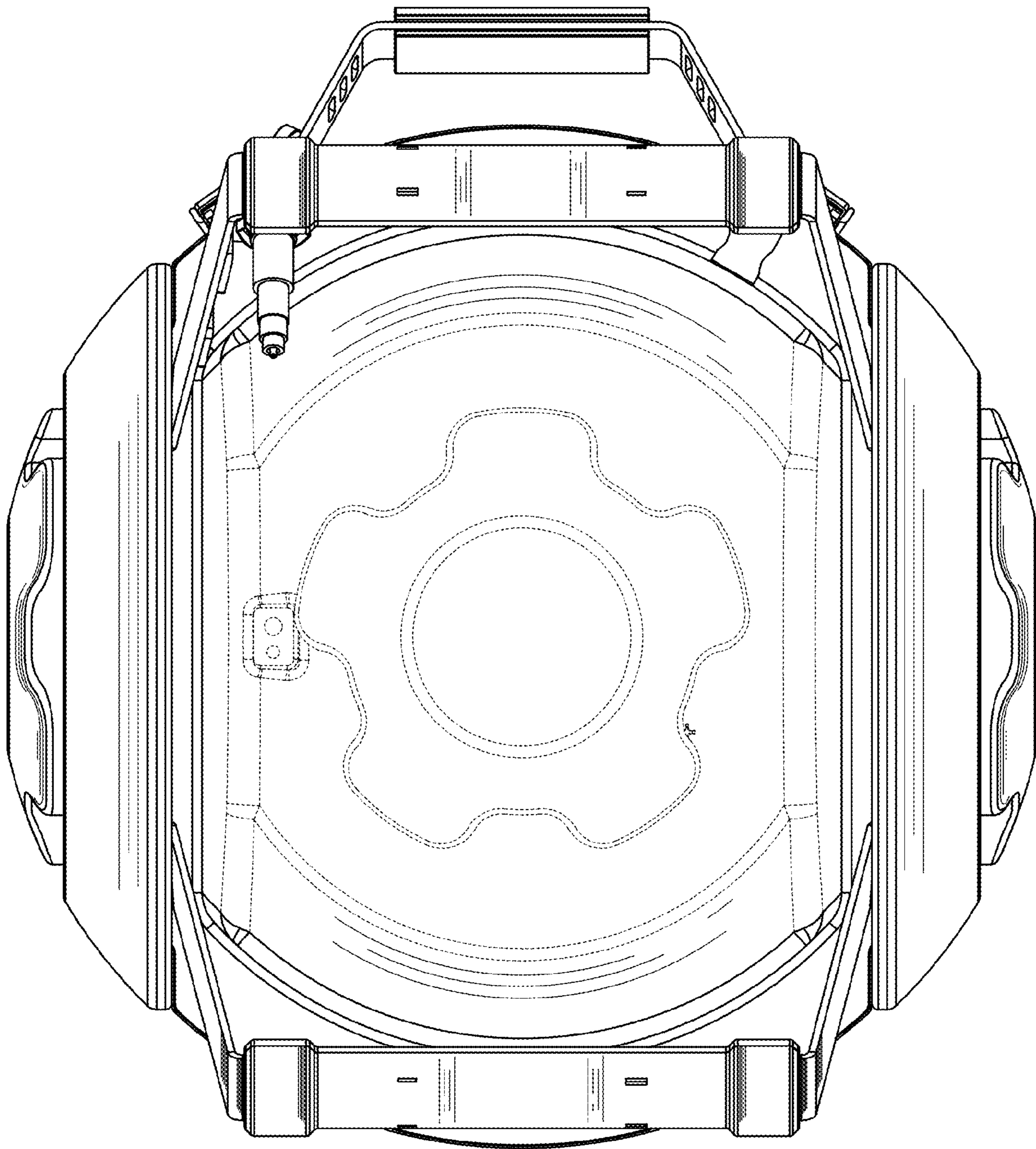


FIG. 7

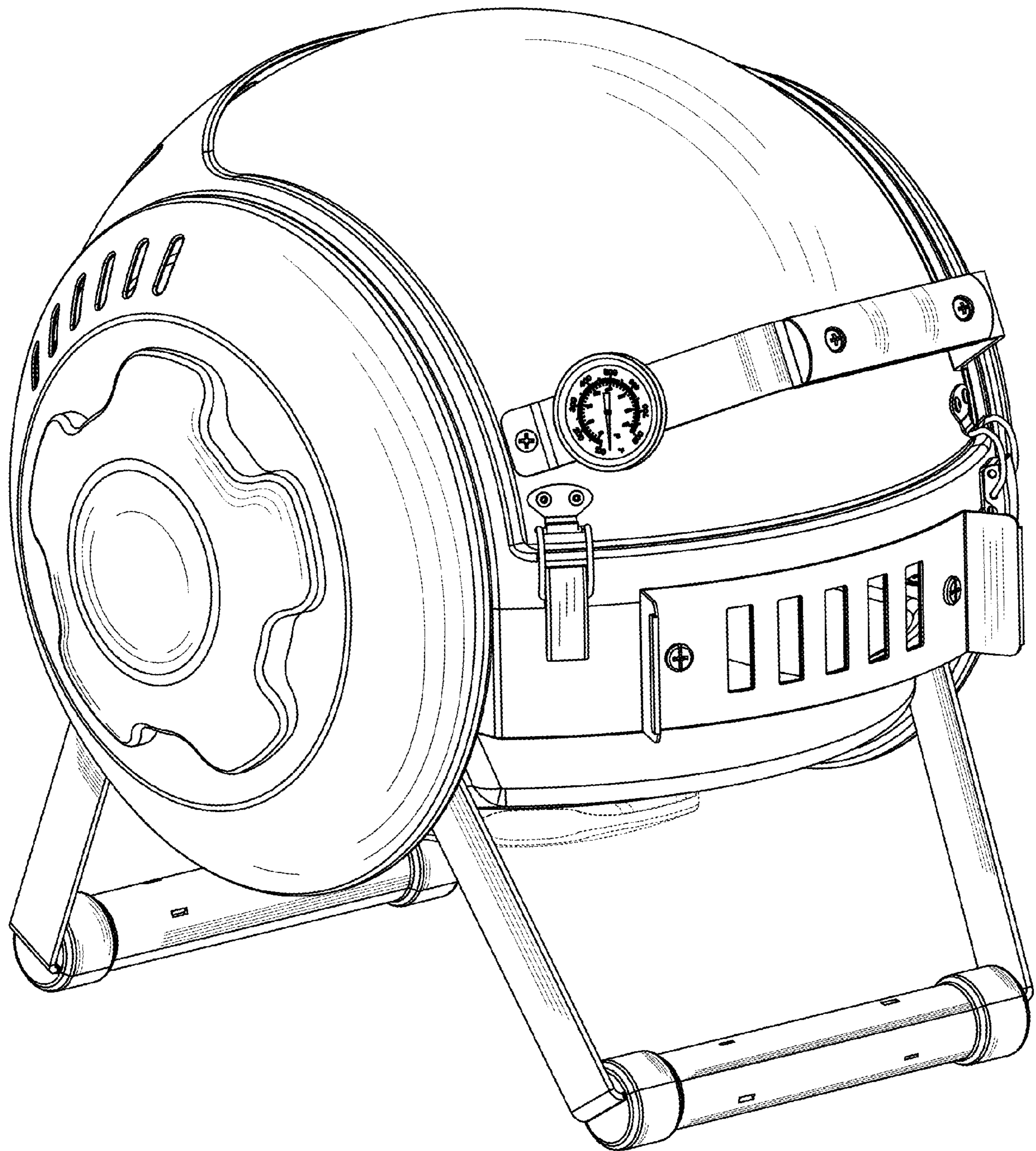


FIG. 8

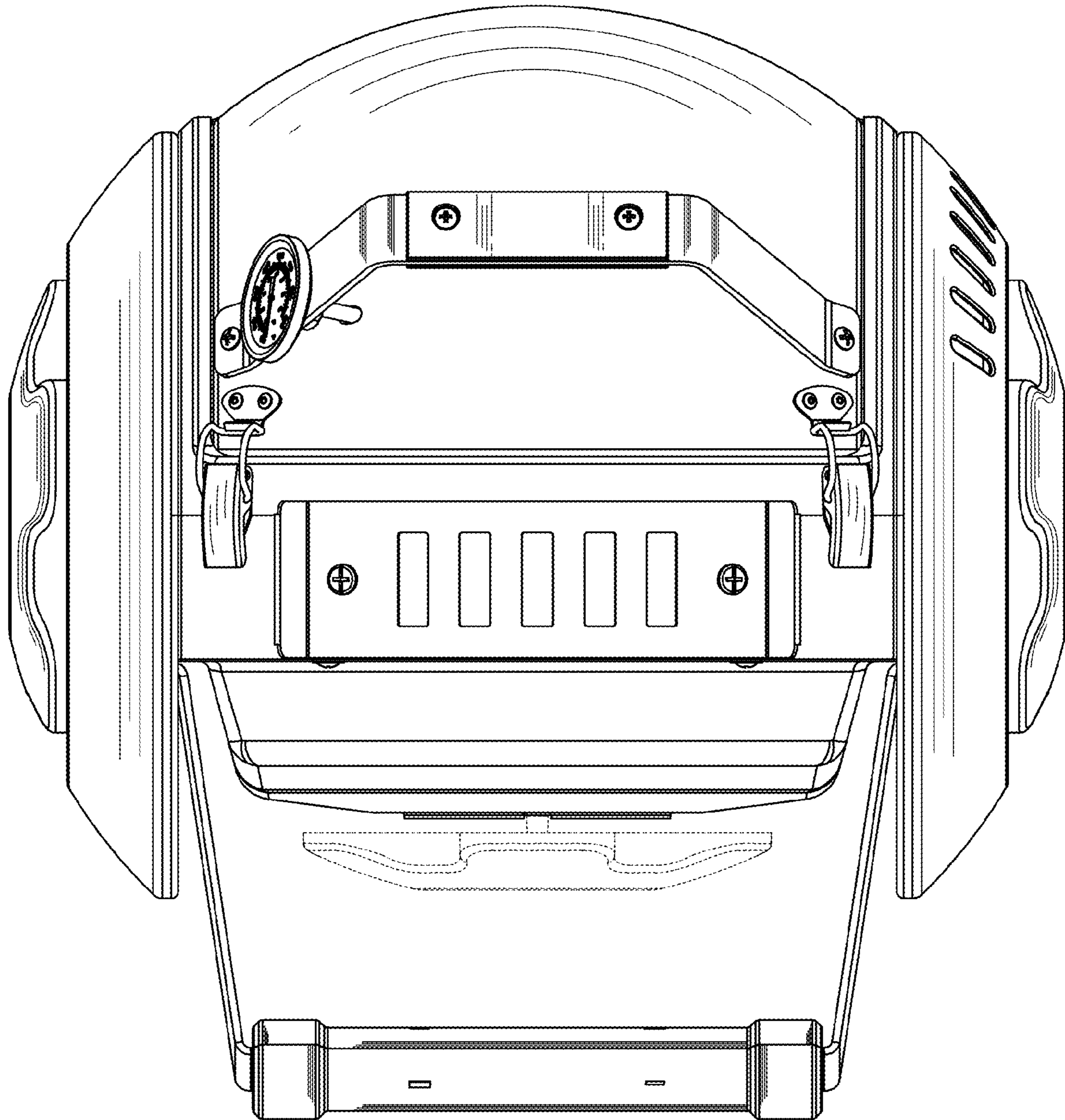


FIG. 9

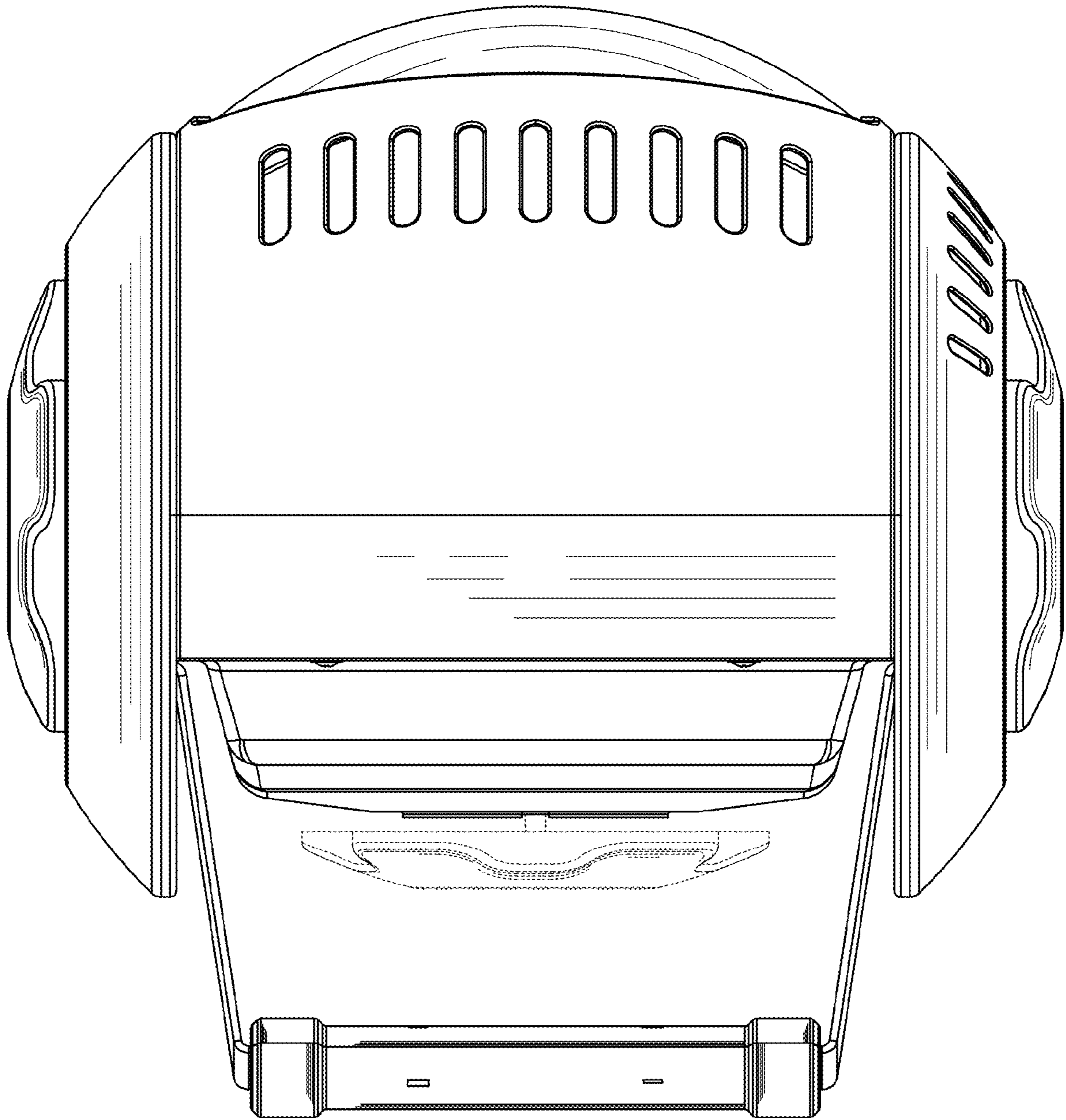


FIG. 10

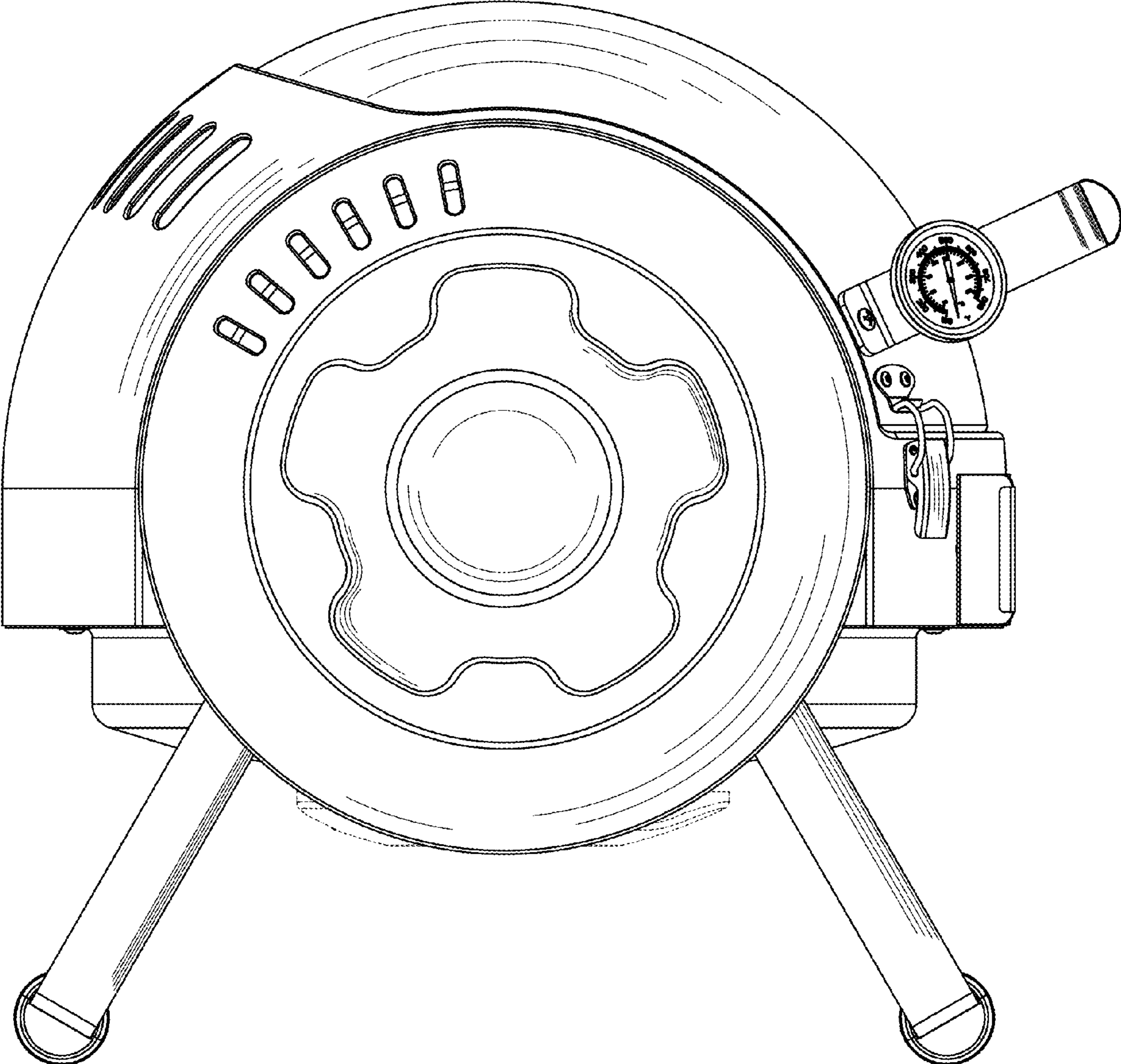


FIG. 11

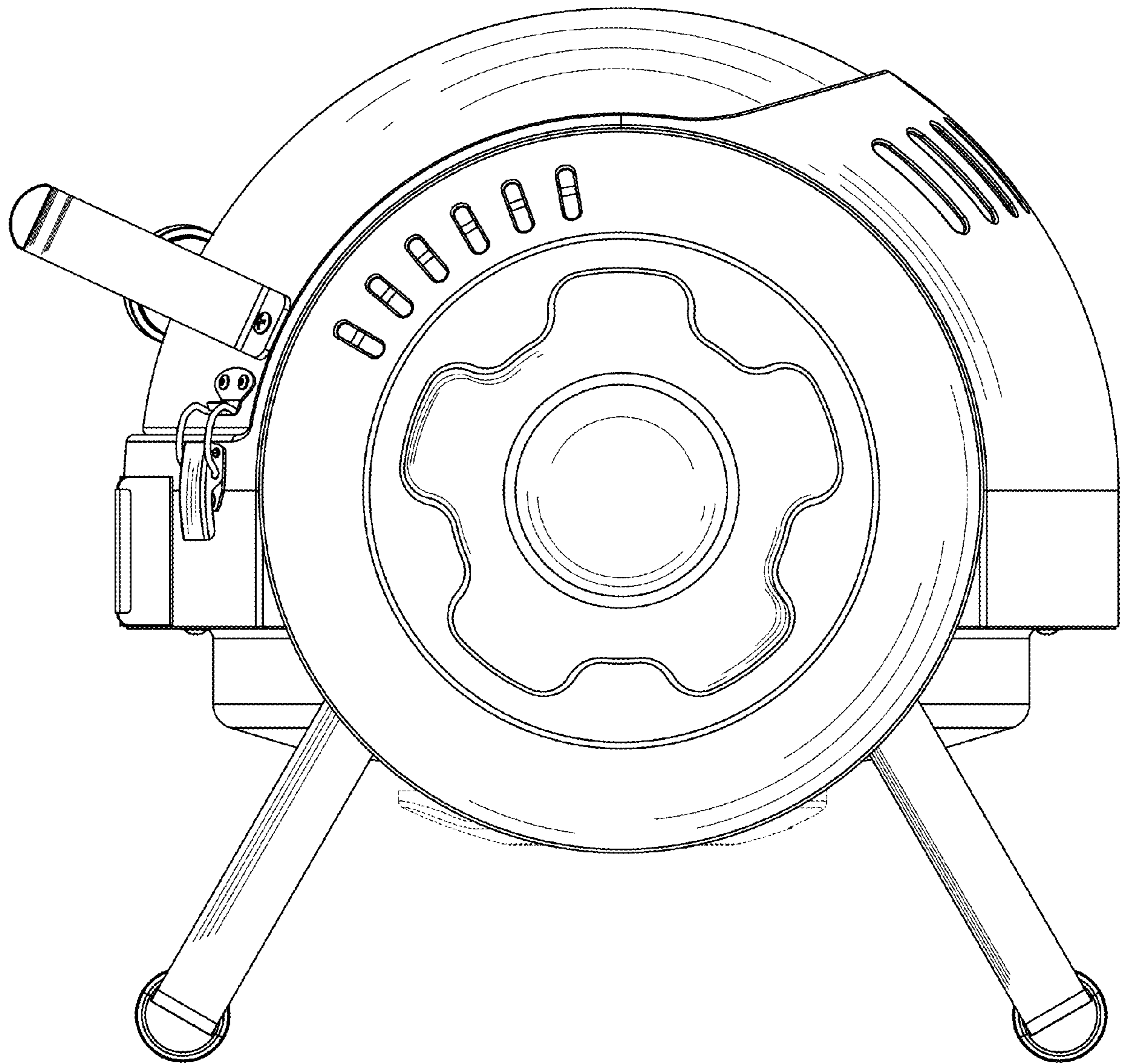


FIG. 12

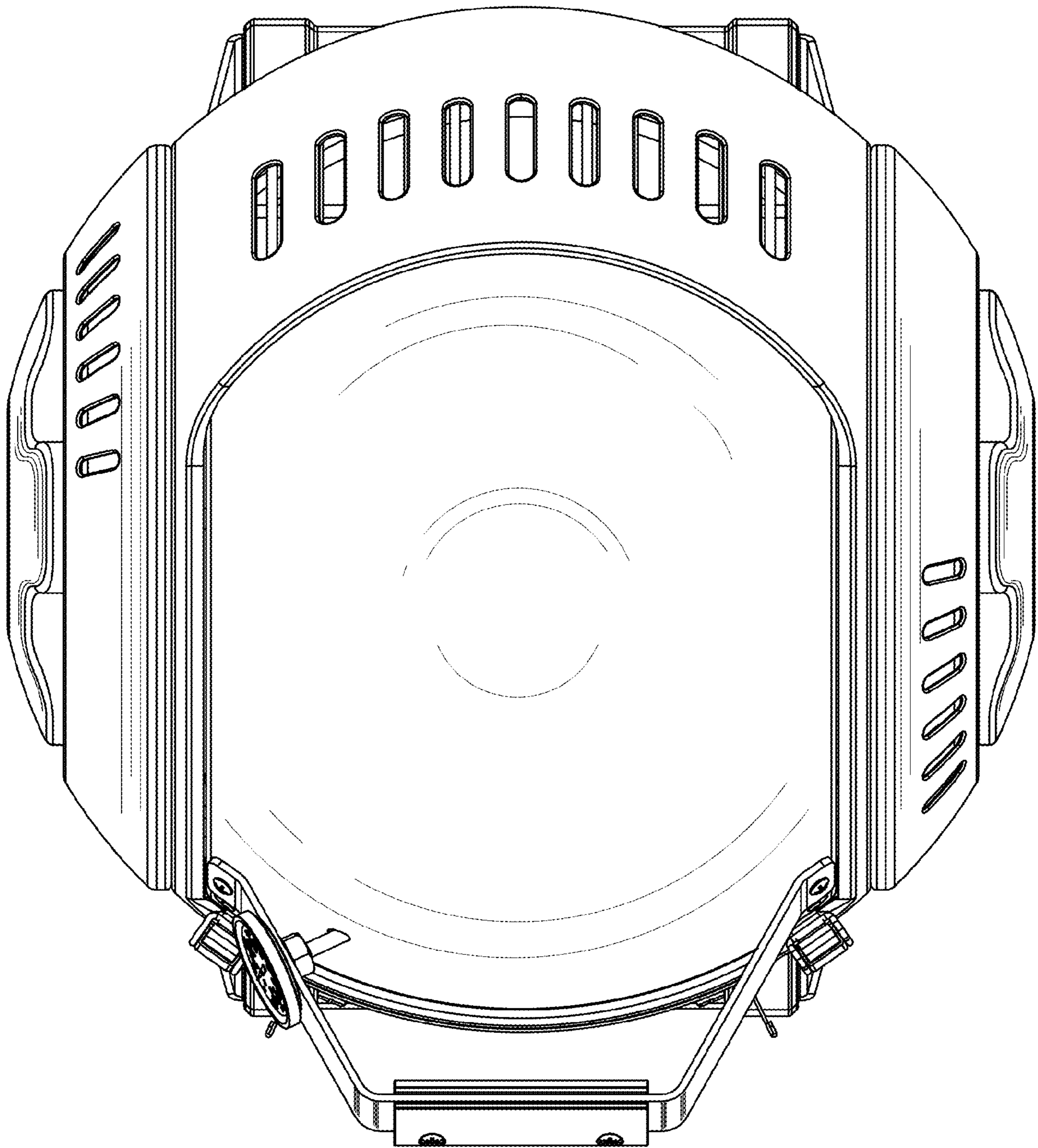


FIG. 13

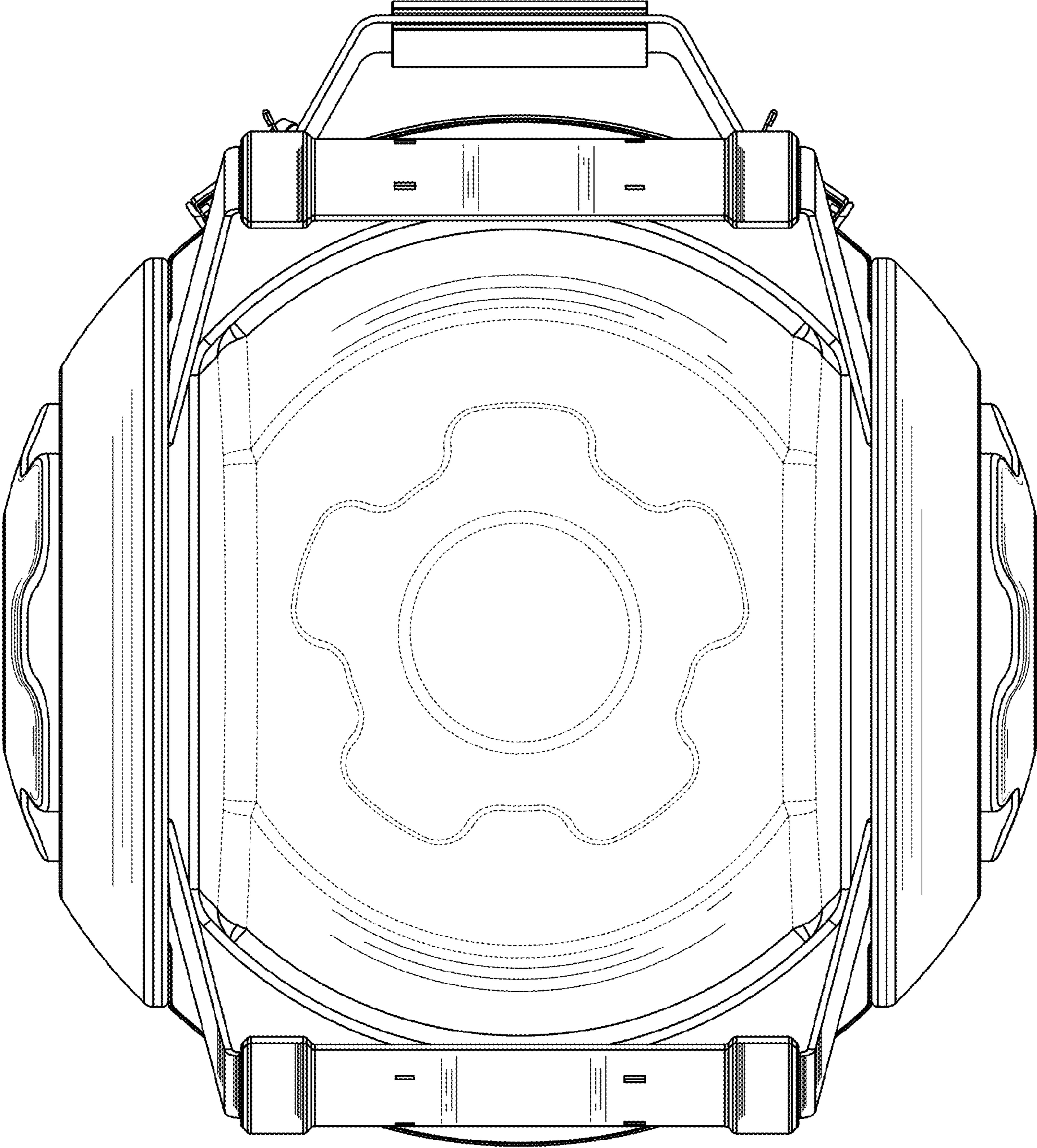


FIG. 14