



US00D897748S

(12) **United States Design Patent**
Choi et al.

(10) **Patent No.:** **US D897,748 S**

(45) **Date of Patent:** **** Oct. 6, 2020**

(54) **COMPACT KITCHEN UNIT**

(71) Applicant: **LG ELECTRONICS INC.**, Seoul (KR)

(72) Inventors: **Hyun Choi**, Seoul (KR); **Hyunki Kim**, Seoul (KR); **Sookyung Kang**, Seoul (KR); **Kyukwan Choi**, Seoul (KR); **Wonsang Choi**, Seoul (KR)

(73) Assignee: **LG ELECTRONICS INC.**, Seoul (KR)

(**) Term: **15 Years**

(21) Appl. No.: **35/506,953**

(22) Filed: **Nov. 22, 2018**

(80) **Hague Agreement Data**

Int. Filing Date: **Nov. 22, 2018**

Int. Reg. No.: **DM/201479**

Int. Reg. Date: **Nov. 22, 2018**

Int. Reg. Pub. Date: **Jun. 21, 2019**

(30) **Foreign Application Priority Data**

May 23, 2018 (KR) 30-2018-0023947

(51) **LOC (12) Cl.** **06-06**

(52) **U.S. Cl.**
USPC **D6/702; D6/703; D6/705**

(58) **Field of Classification Search**
USPC D6/663, 668.1, 668.2, 671, 371.2, 698,
D6/699, 699.2, 702, 703, 704, 705
(Continued)

(56) **References Cited**

U.S. PATENT DOCUMENTS

D127,588 S * 6/1941 Owen D6/657

D154,419 S * 7/1949 Mushta D6/667

(Continued)

Primary Examiner — Mary Ann Calabrese

(74) *Attorney, Agent, or Firm* — Birch, Stewart, Kolasch & Birch, LLP

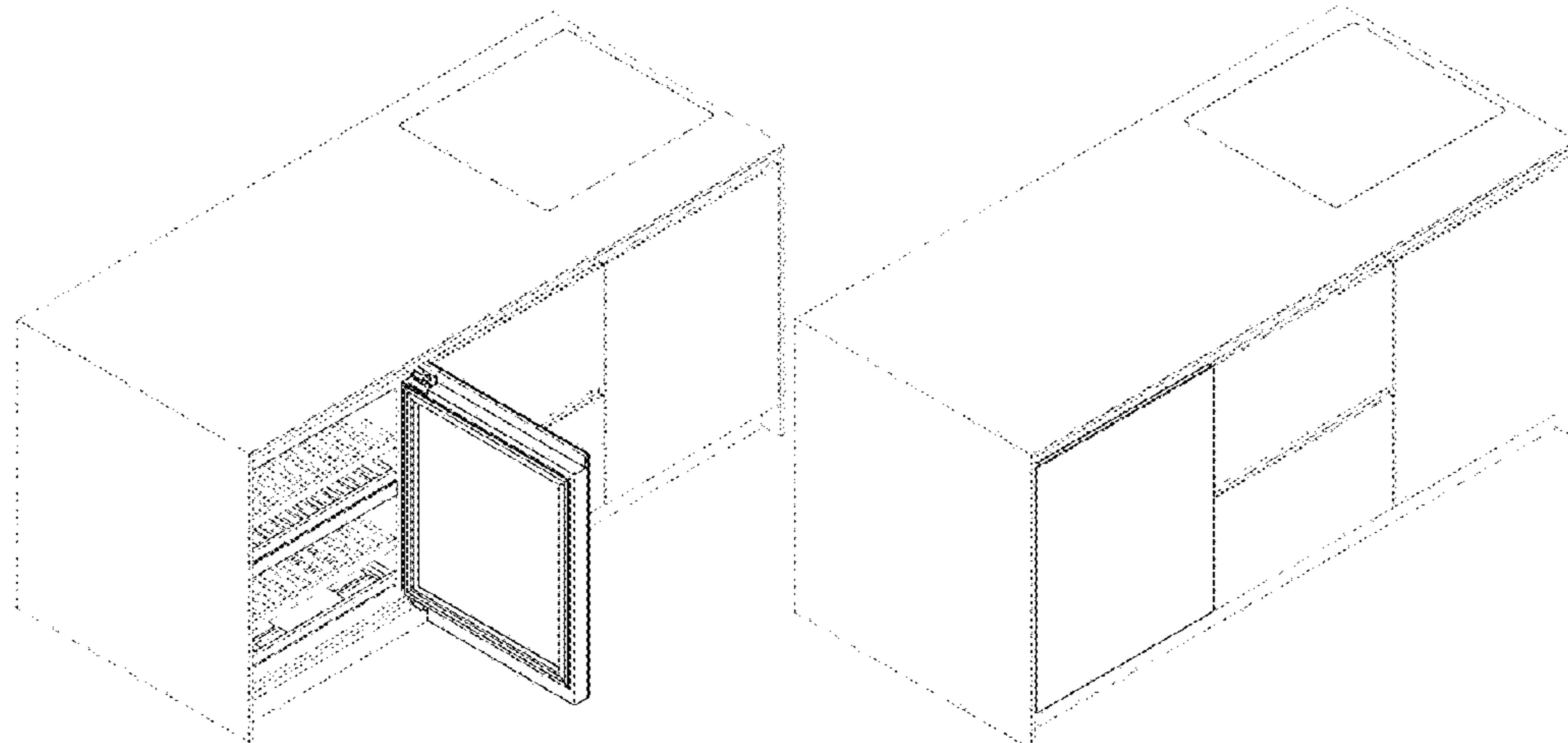
(57) **CLAIM**

The ornamental design for compact kitchen unit, as shown and described.

DESCRIPTION

- 1. Compact kitchen unit
- 1.1 is a perspective view with the door open.
- 1.2 is a front view with the door open.
- 1.3 is a rear view.
- 1.4 is a left side view with the door open.
- 1.5 is a right side view with the door open.
- 1.6 is a top view with the door open.
- 1.7 is a bottom view with the door open.
- 1.8 is a perspective view with the door closed.
- 1.9 is a perspective view with the door open and the upper shelf extended.
- 1.10 is a front view with the door open and the upper shelf extended.
- 1.11 is a rear view.
- 1.12 is a left side view with the door open and the upper shelf extended.
- 1.13 is a right side view with the door open and the upper shelf extended.
- 1.14 is a top view with the door open and the upper shelf extended.
- 1.15 is a bottom view with the door open and the upper shelf extended.
- 1.16 is a perspective view with the door open and the lower shelf extended.
- 1.17 is a front view with the door open and the lower shelf extended.
- 1.18 is a rear view.
- 1.19 is a left side view with the door open and the lower shelf extended.
- 1.20 is a right side view.
- 1.21 is a top view with the door open and the lower shelf extended.
- 1.22 is a bottom view with the door open and the lower shelf extended.

(Continued)



The broken lines indicate portions of the article that form no part of the claimed design.

1 Claim, 22 Drawing Sheets

(58) Field of Classification Search

CPC A47B 37/00; A47B 53/00; A47B 53/02;
 A47B 55/00; A47B 71/00; A47B 77/00;
 A47B 88/00; A47B 88/40; A47B 96/00;
 A47F 3/00; A47F 3/0404; A47F 3/043

See application file for complete search history.

(56) References Cited

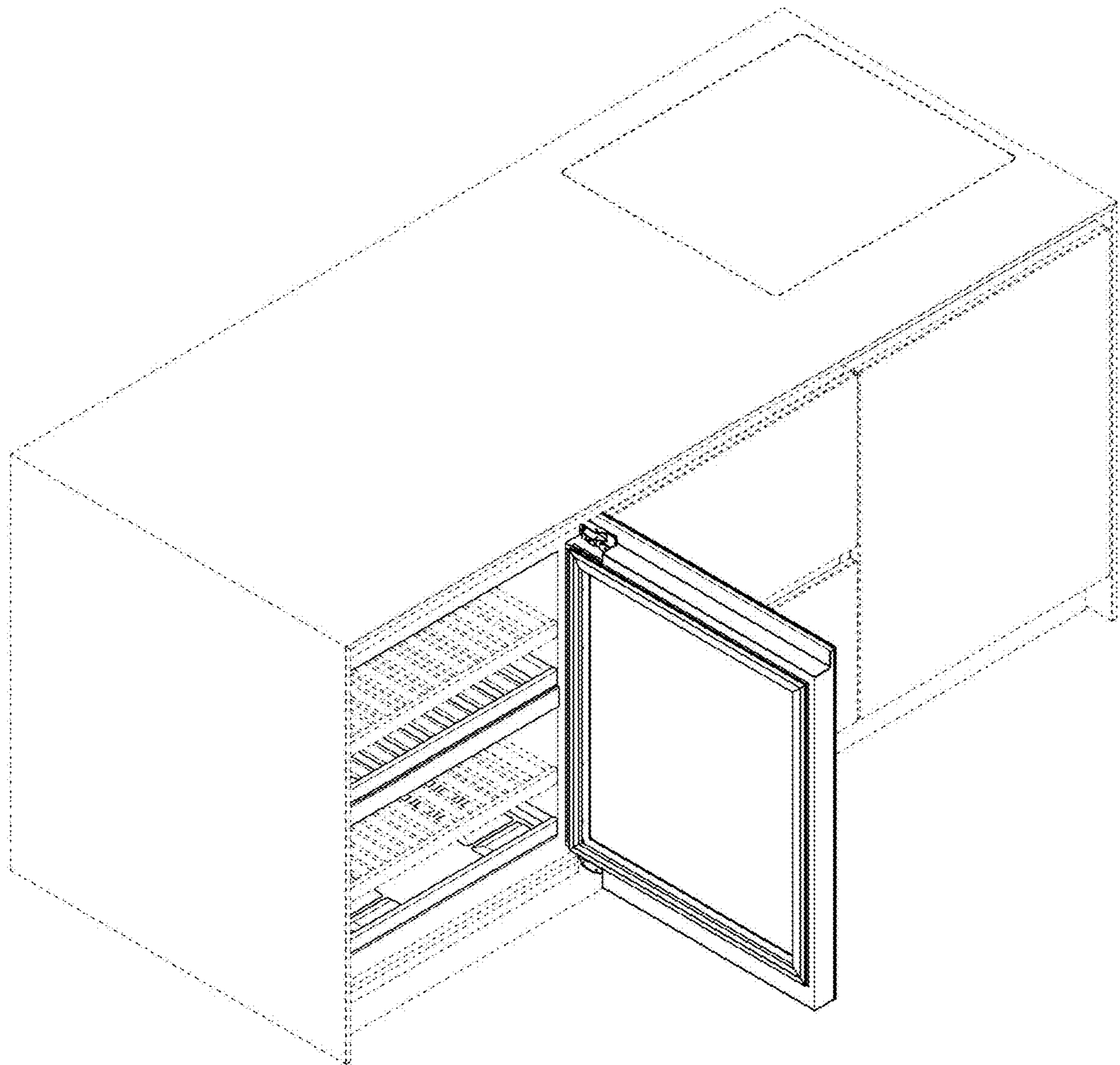
U.S. PATENT DOCUMENTS

D214,925 S * 8/1969 Provest D6/667
 D248,975 S * 8/1978 Cole D6/663
 D325,478 S * 4/1992 Ward D6/671.1
 D401,478 S * 11/1998 Greenway D7/601
 D421,685 S * 3/2000 Carrabba D6/663
 D434,579 S * 12/2000 Rabb D6/663
 D437,148 S * 2/2001 Base D27/189
 D610,829 S * 3/2010 Nelsen D6/664

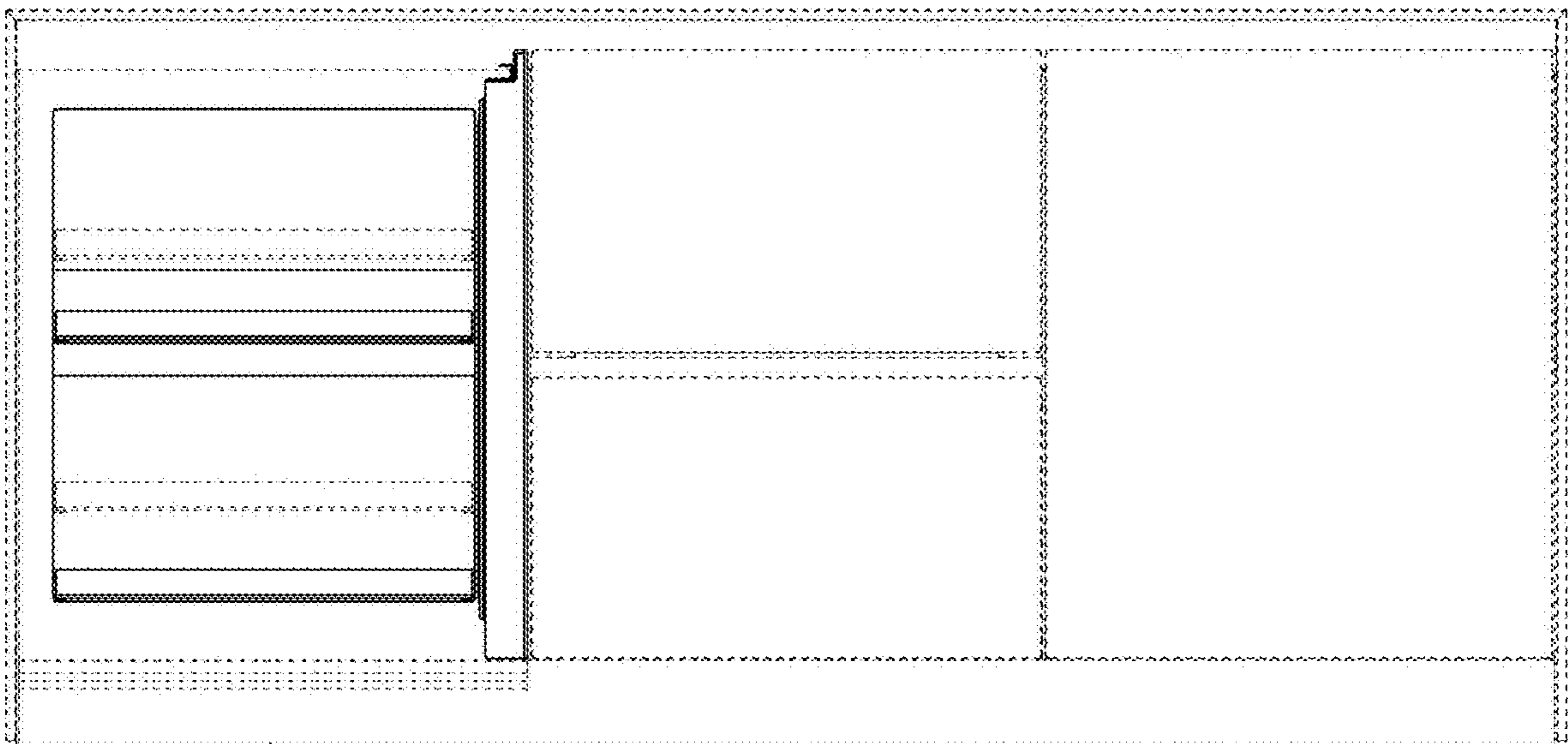
D610,848 S * 3/2010 Yang F21V 23/0471
 D618,258 S * 6/2010 Chen F25D 23/069
 D715,335 S * 10/2014 Kim D15/81
 D735,499 S * 8/2015 Stein A47B 97/00
 D766,023 S * 9/2016 Coretti, Jr. A47F 5/005
 D775,883 S * 1/2017 Mason D6/705
 D799,252 S * 10/2017 Coretti, Jr. F25D 23/069
 D799,406 S * 10/2017 Sethapun D12/345
 D817,366 S * 5/2018 Kim D15/79
 10,401,018 B1 * 9/2019 Smith F21V 23/0471
 D876,491 S * 2/2020 Yu D15/79
 2003/0066811 A1 * 4/2003 Dimattio A47F 5/005
 2005/0093405 A1 * 5/2005 Greiner A47B 97/00
 2013/0327064 A1 * 12/2013 Stein A47B 37/00
 2015/0102710 A1 * 4/2015 Hottmann A47F 5/0043
 2015/0296981 A1 * 10/2015 Beauregard A47B 46/00

* cited by examiner

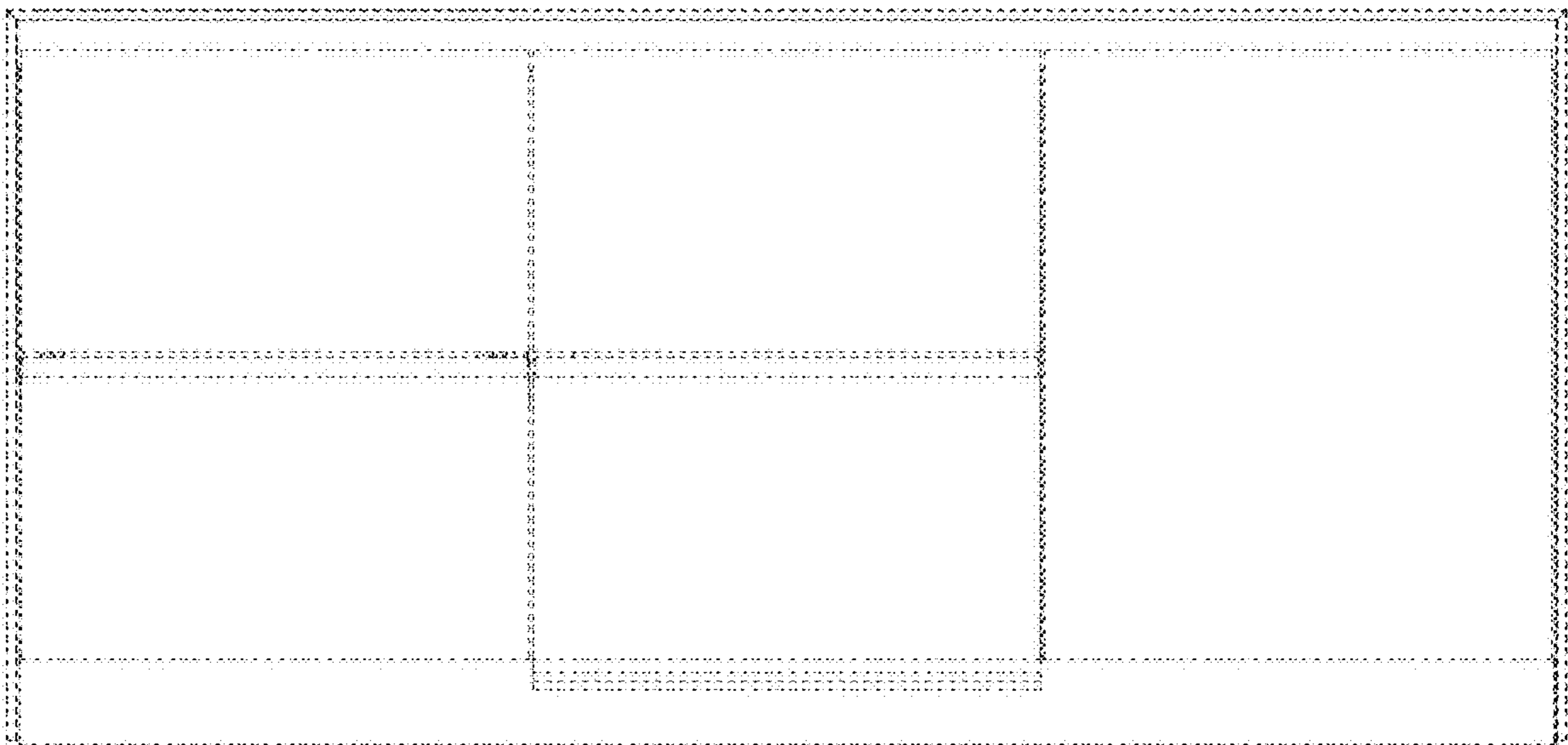
1.1



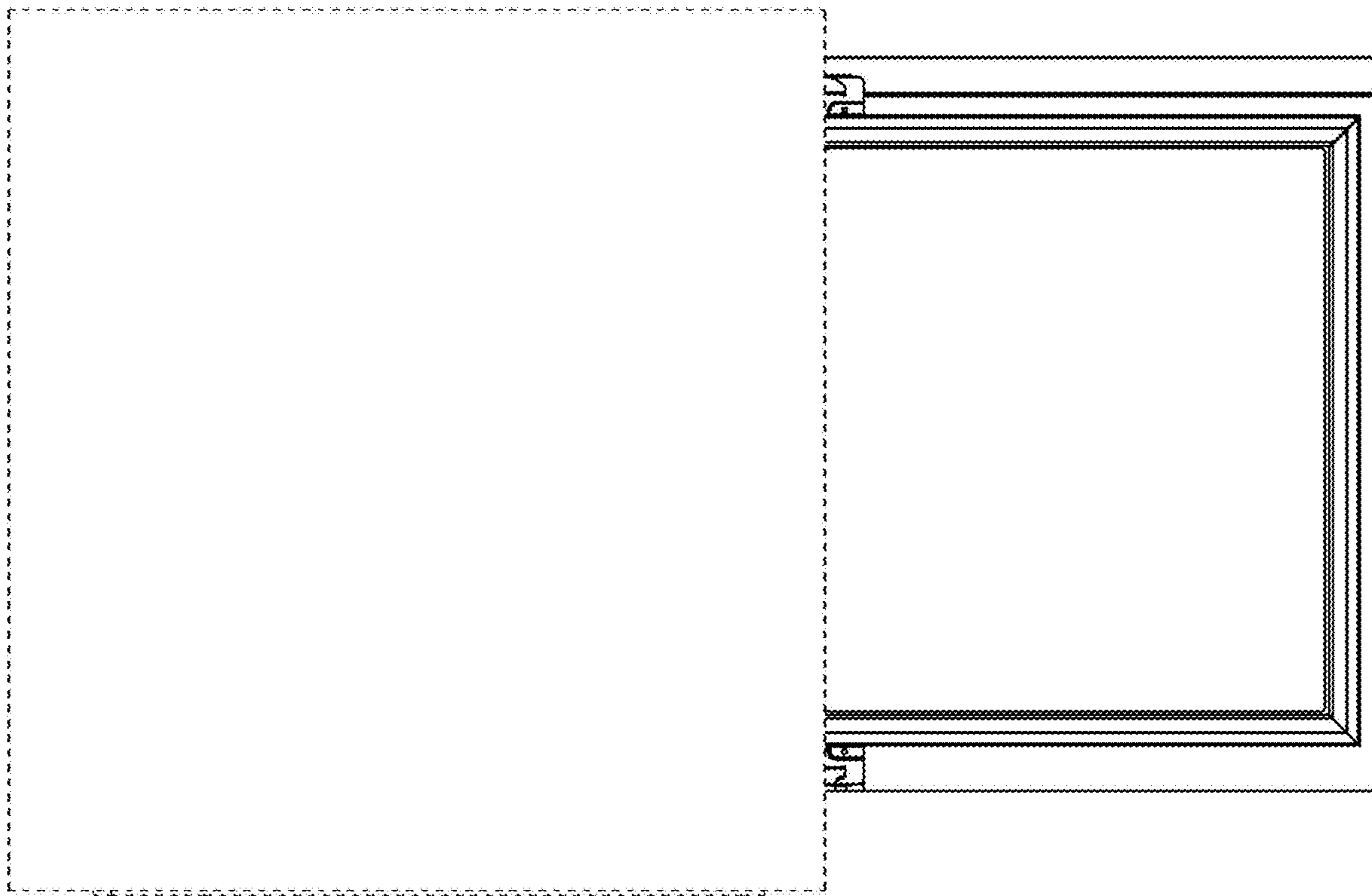
1.2



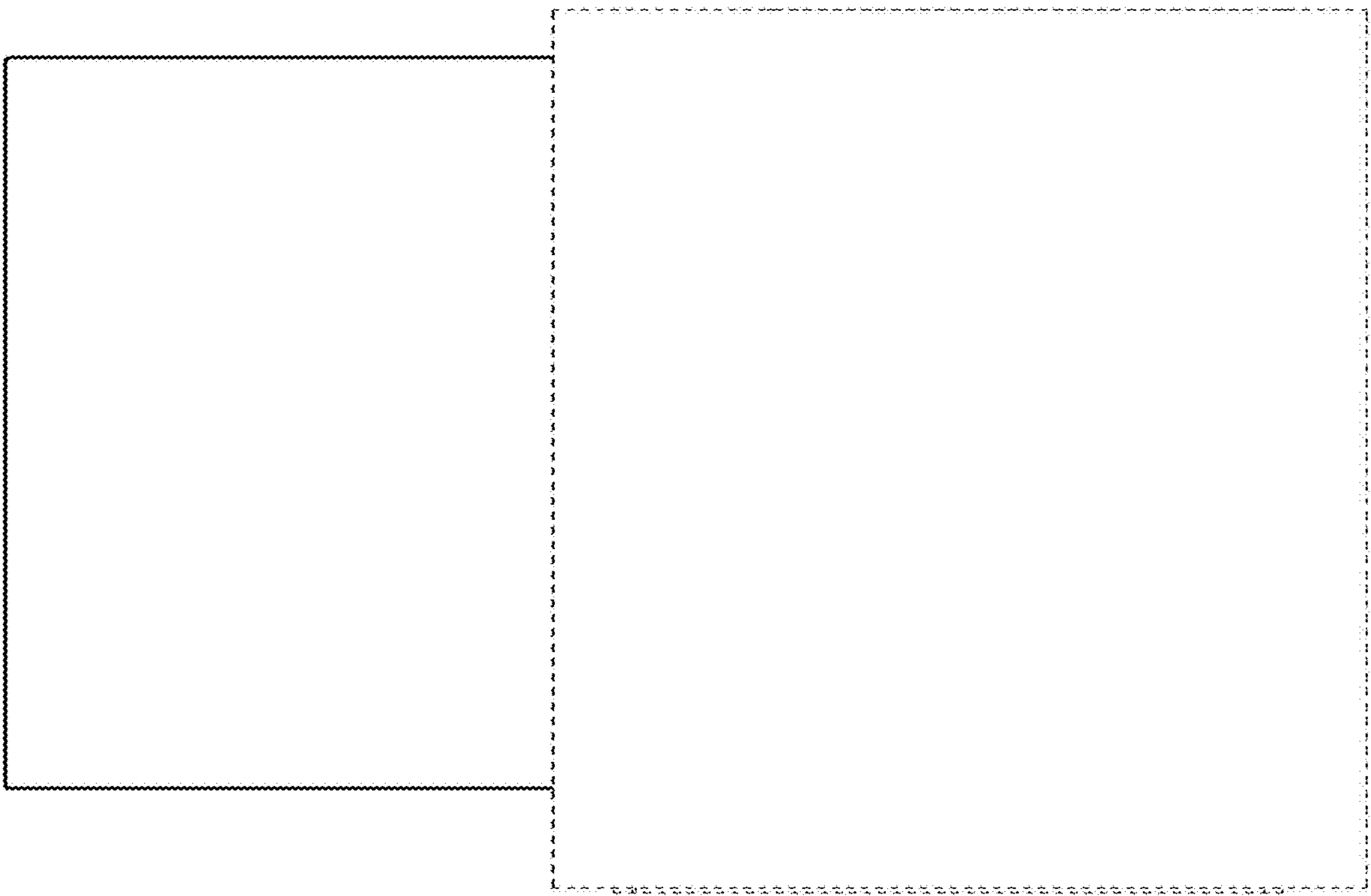
1.3



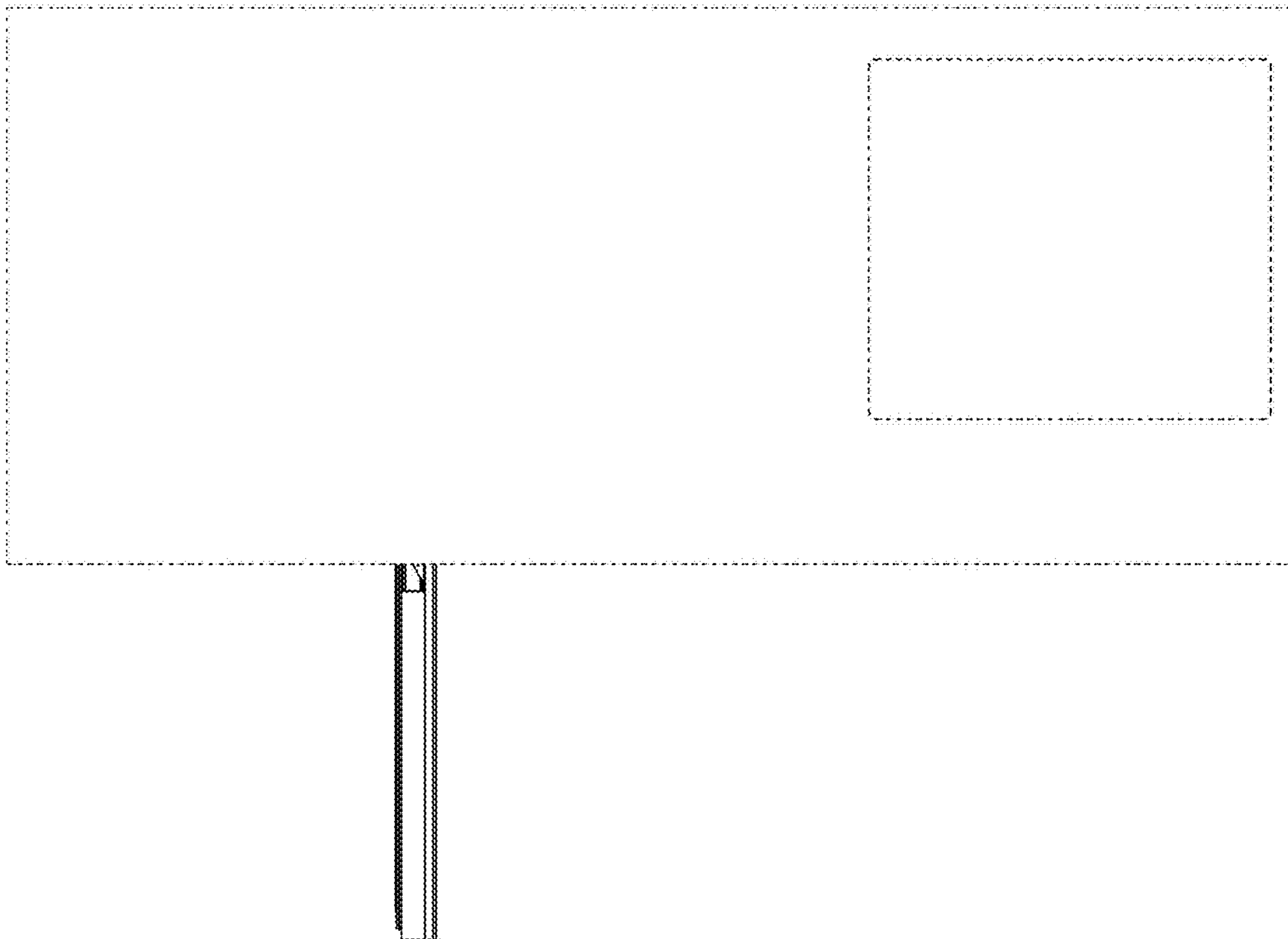
1.4



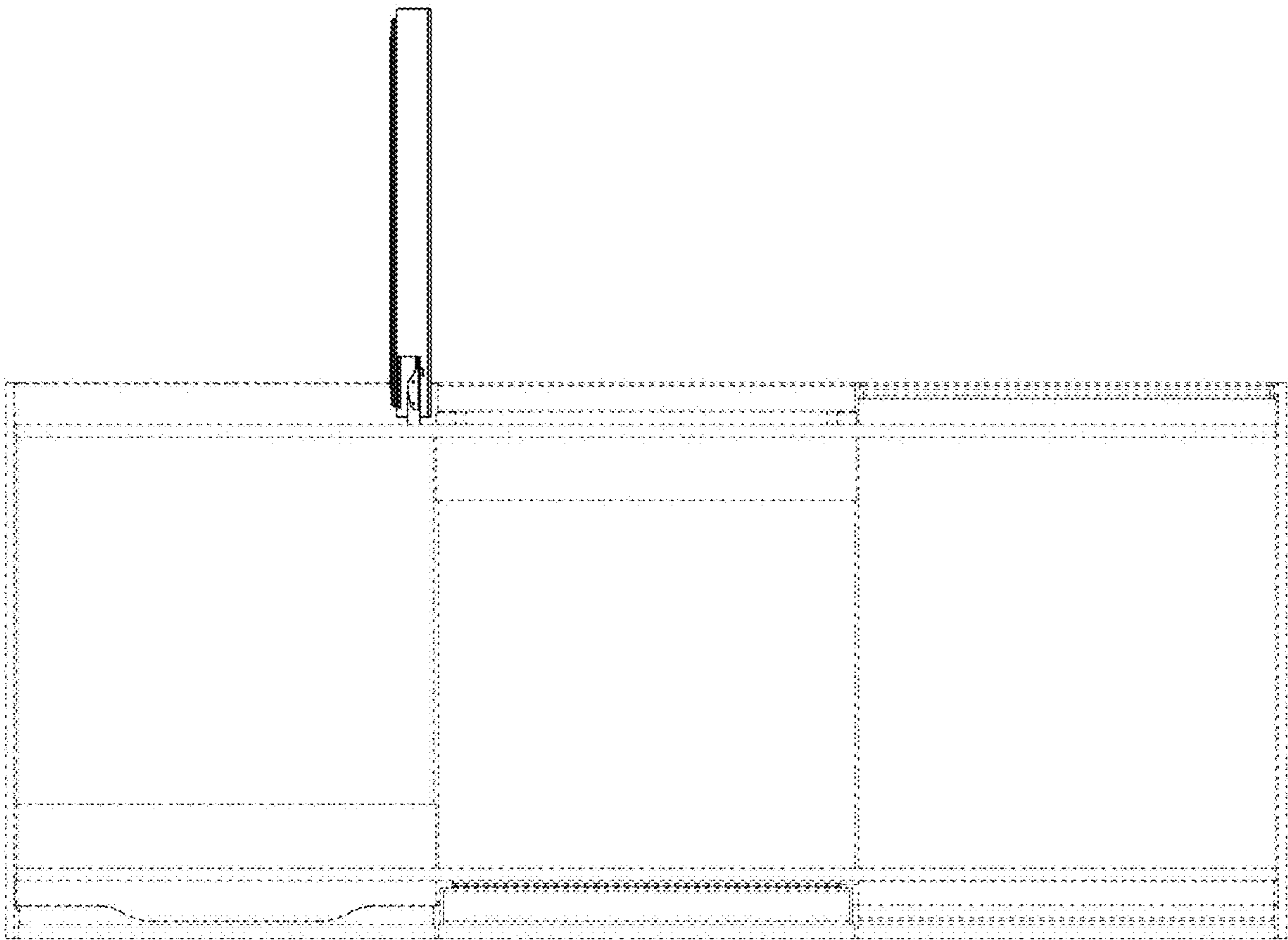
1.5



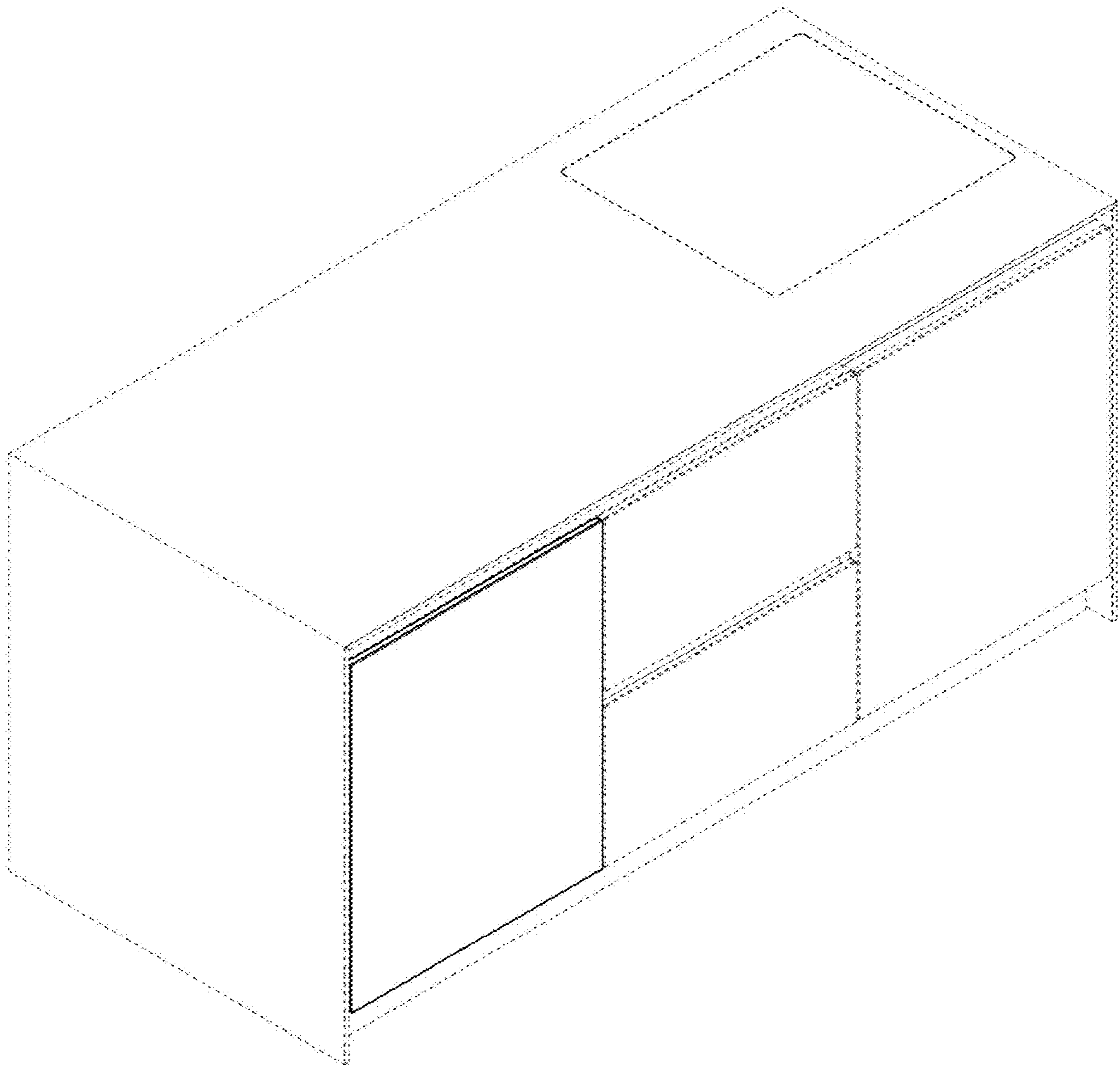
1.6



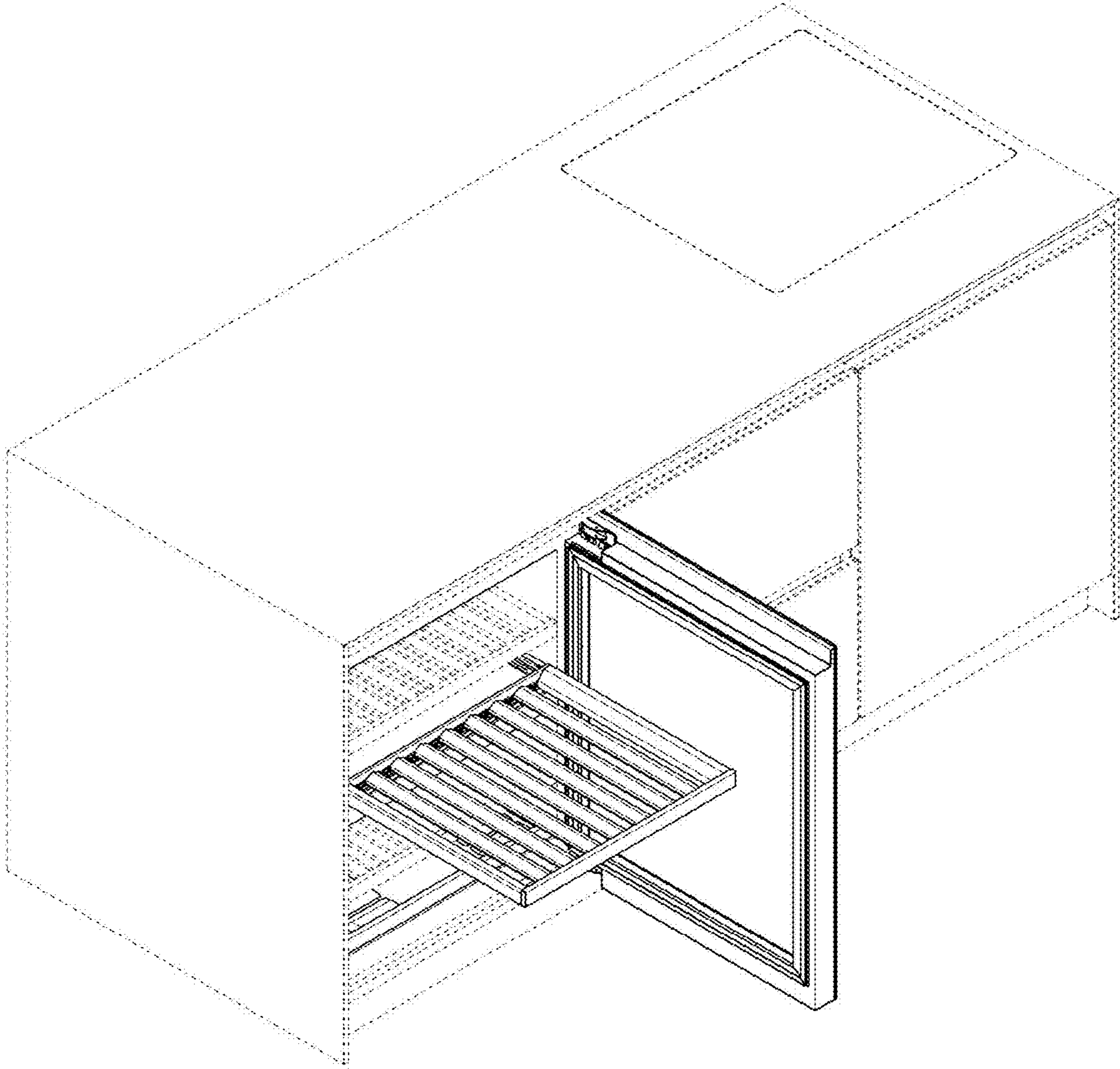
1.7



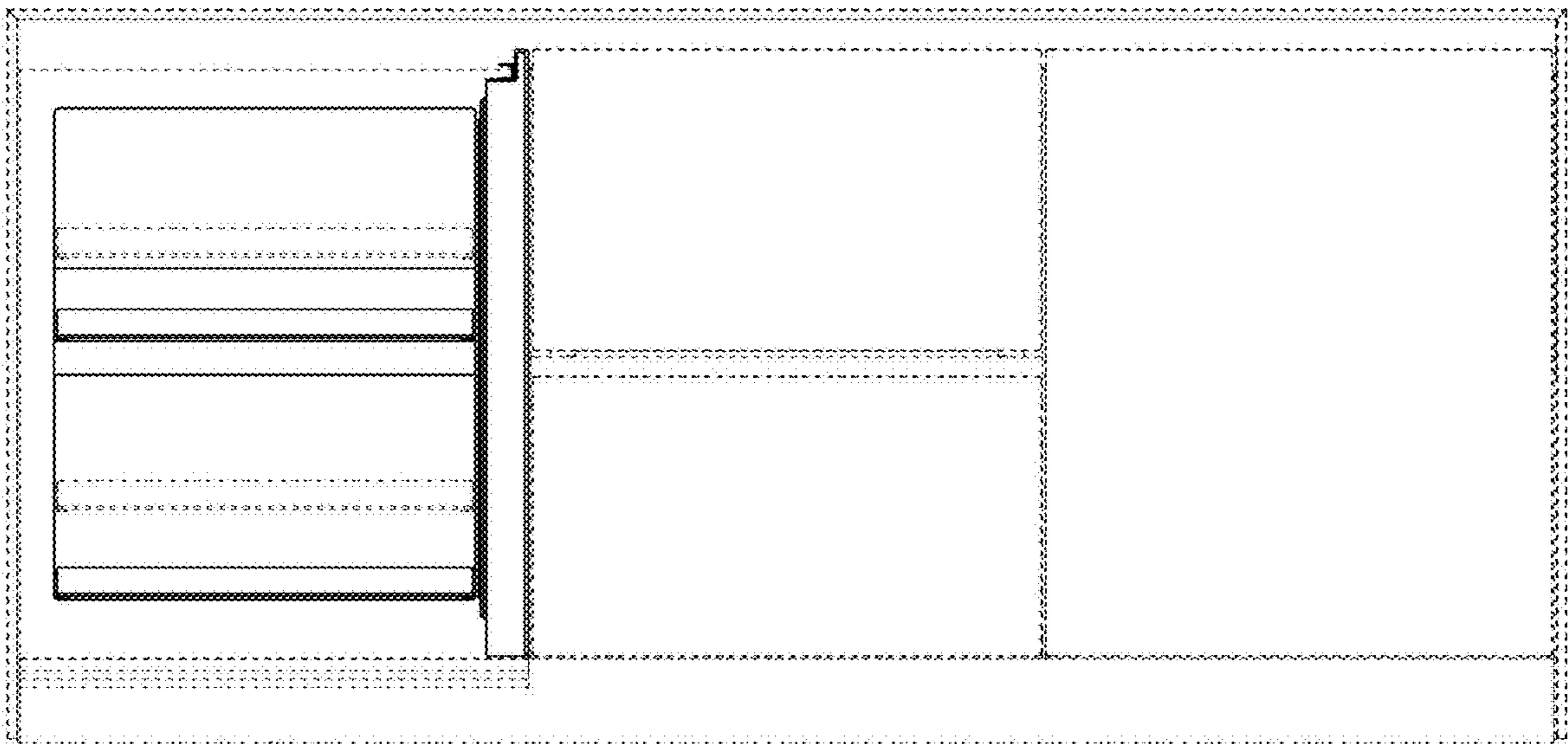
1.8



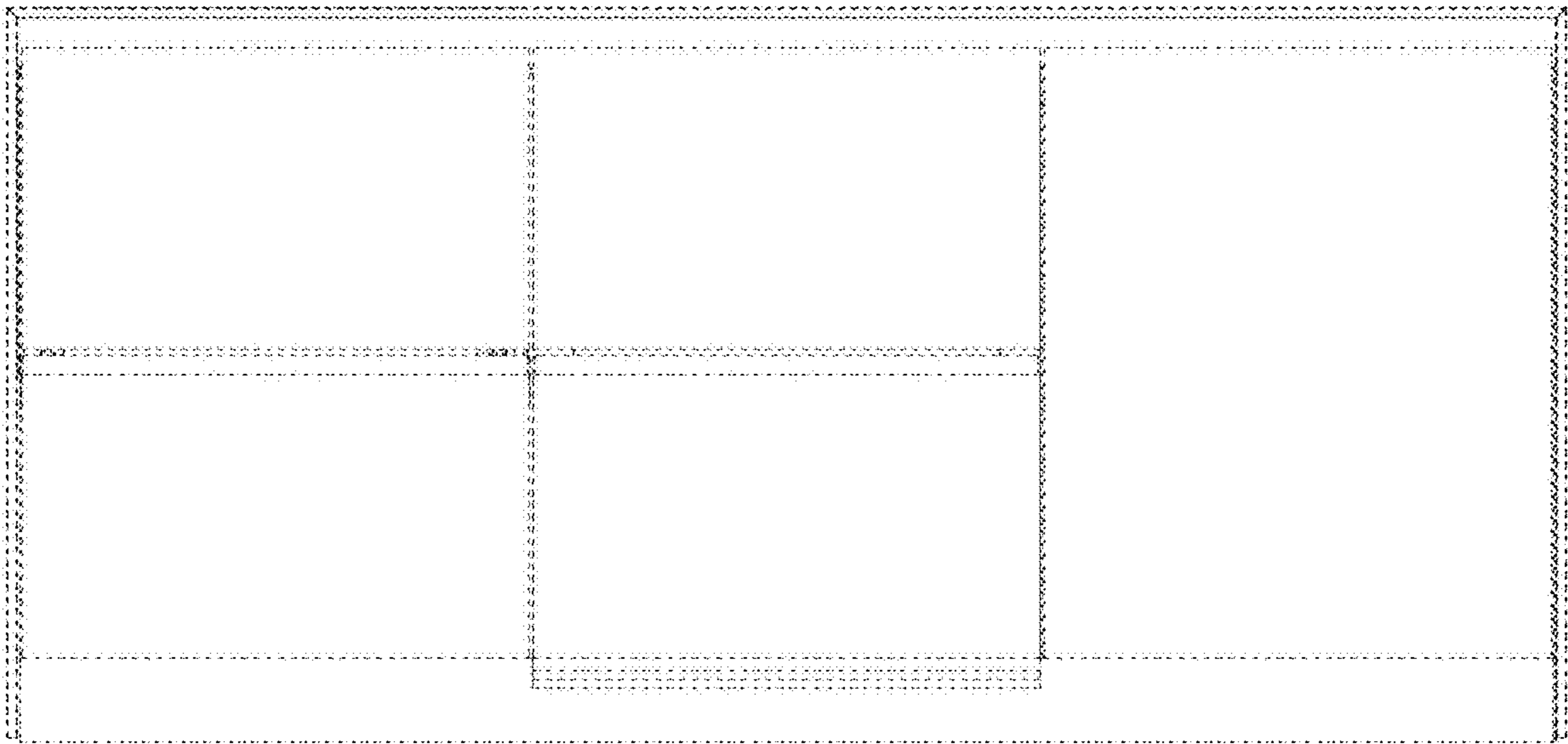
1.9



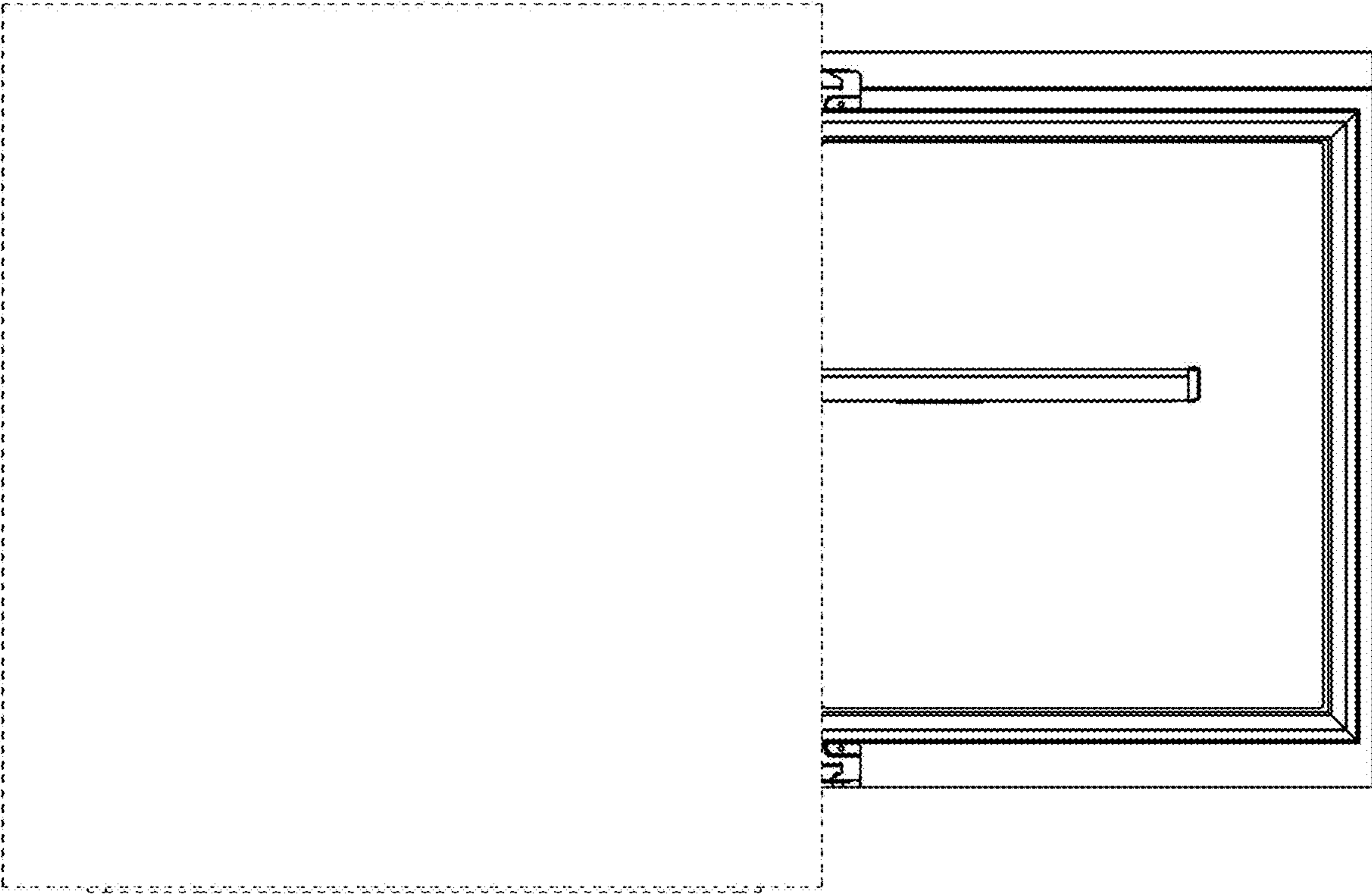
1.10



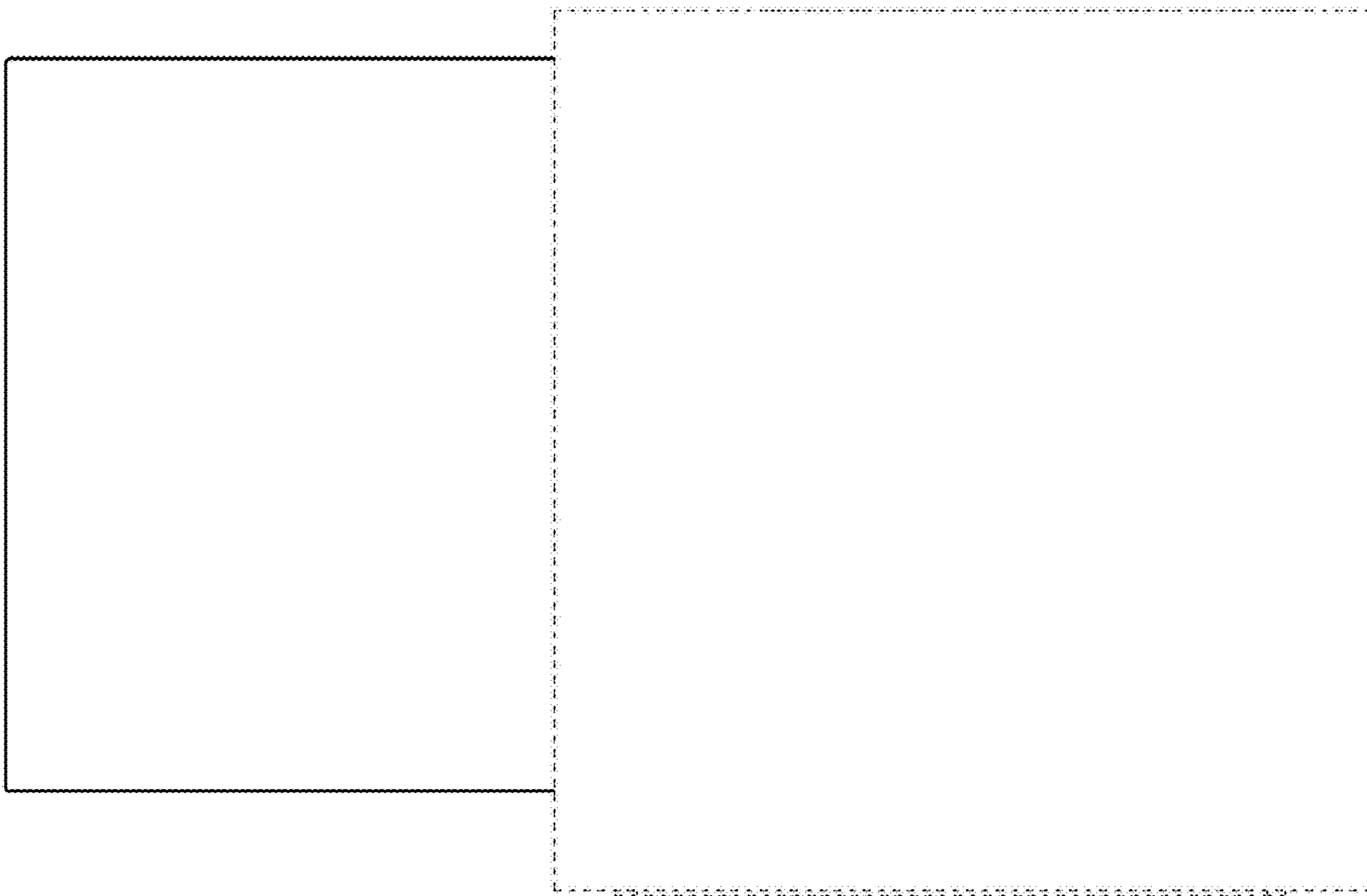
1.11



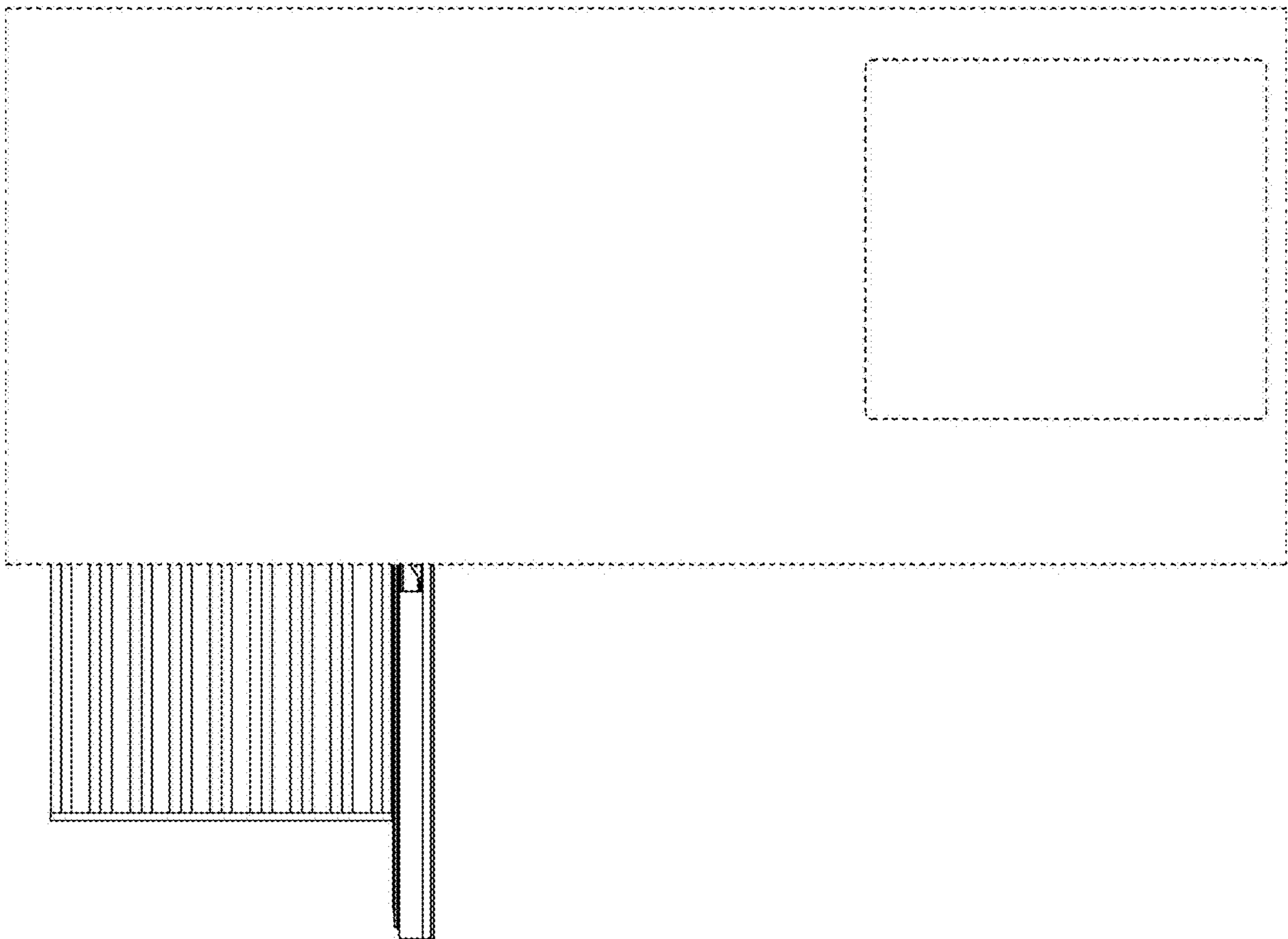
1.12



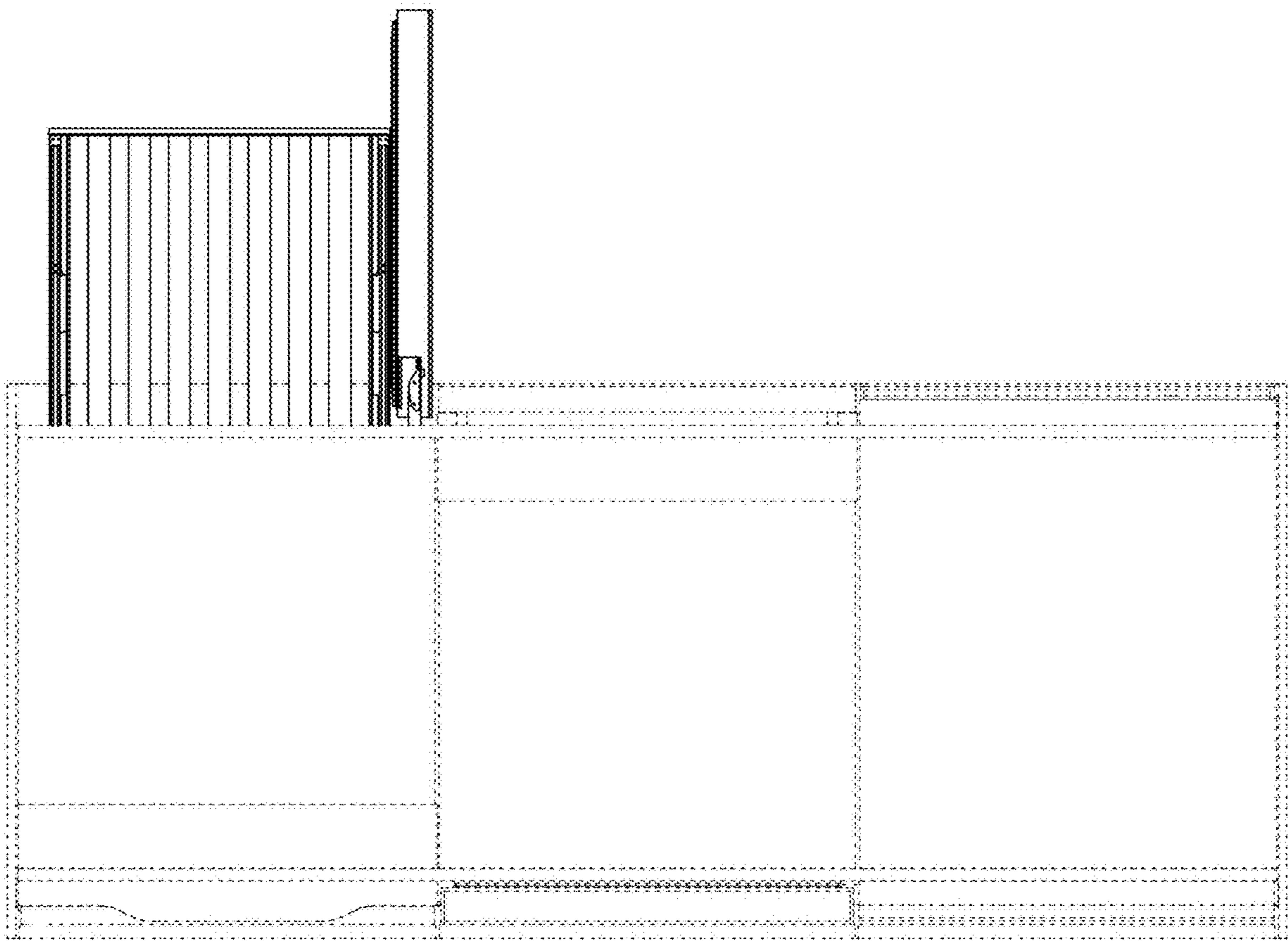
1.13



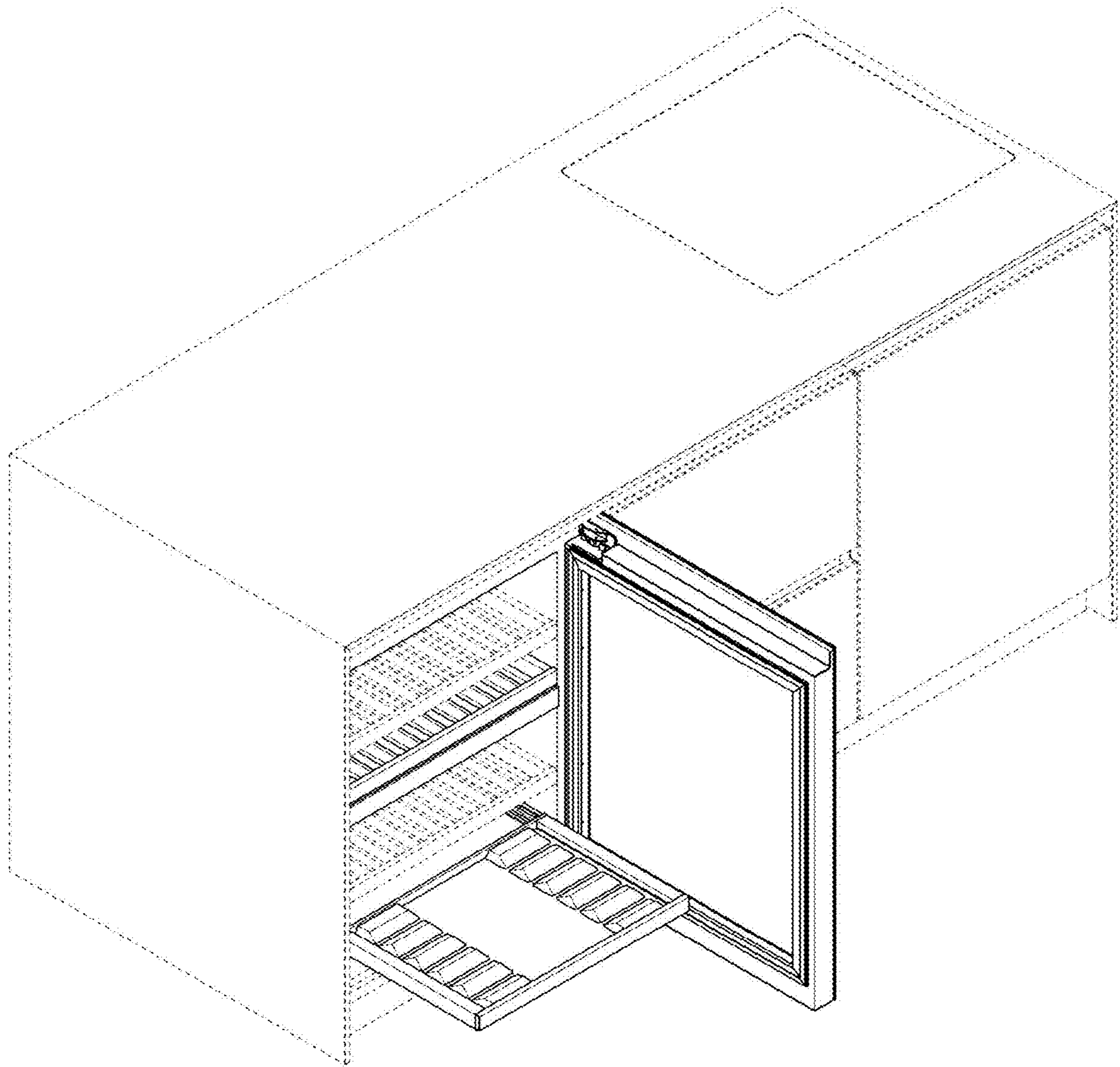
1.14



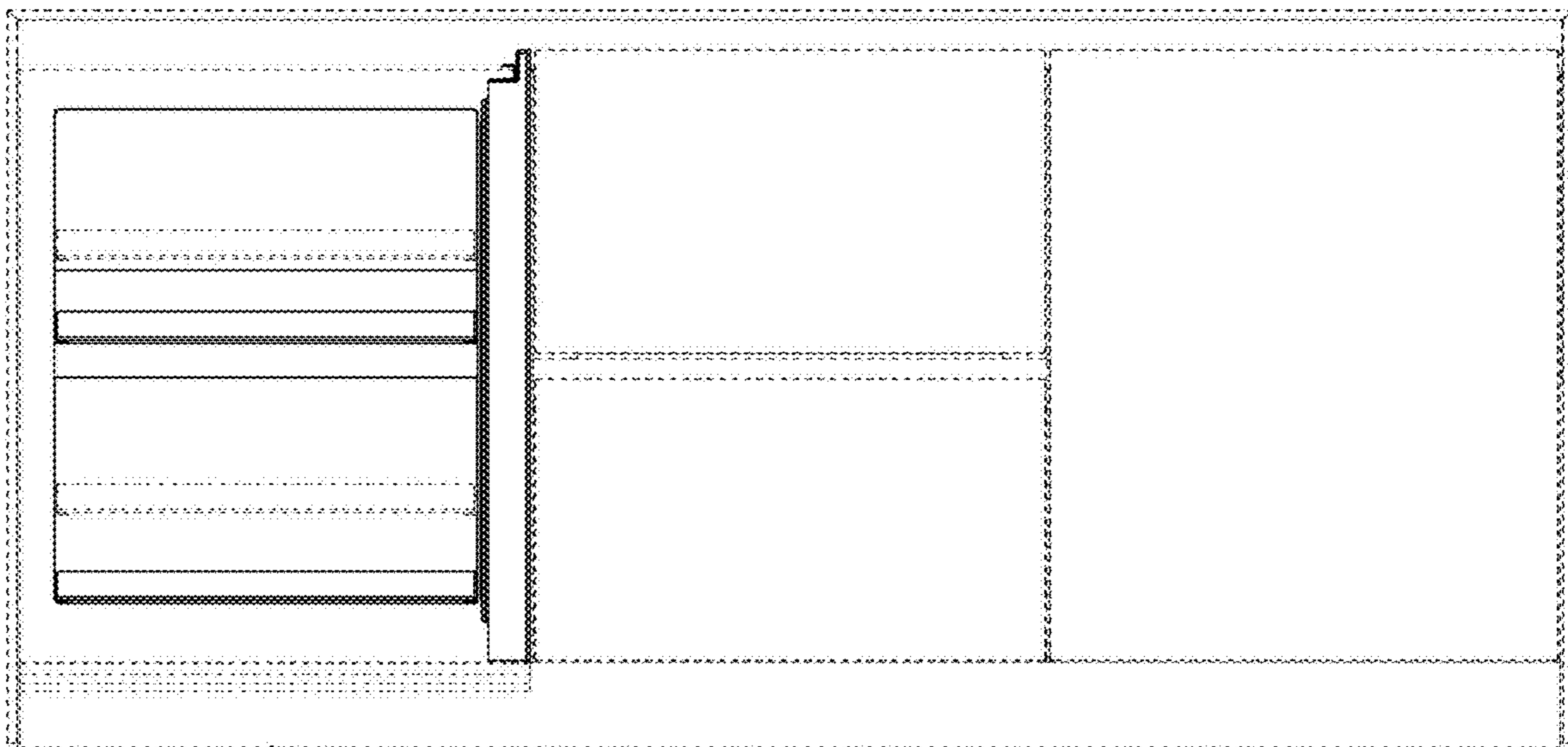
1.15



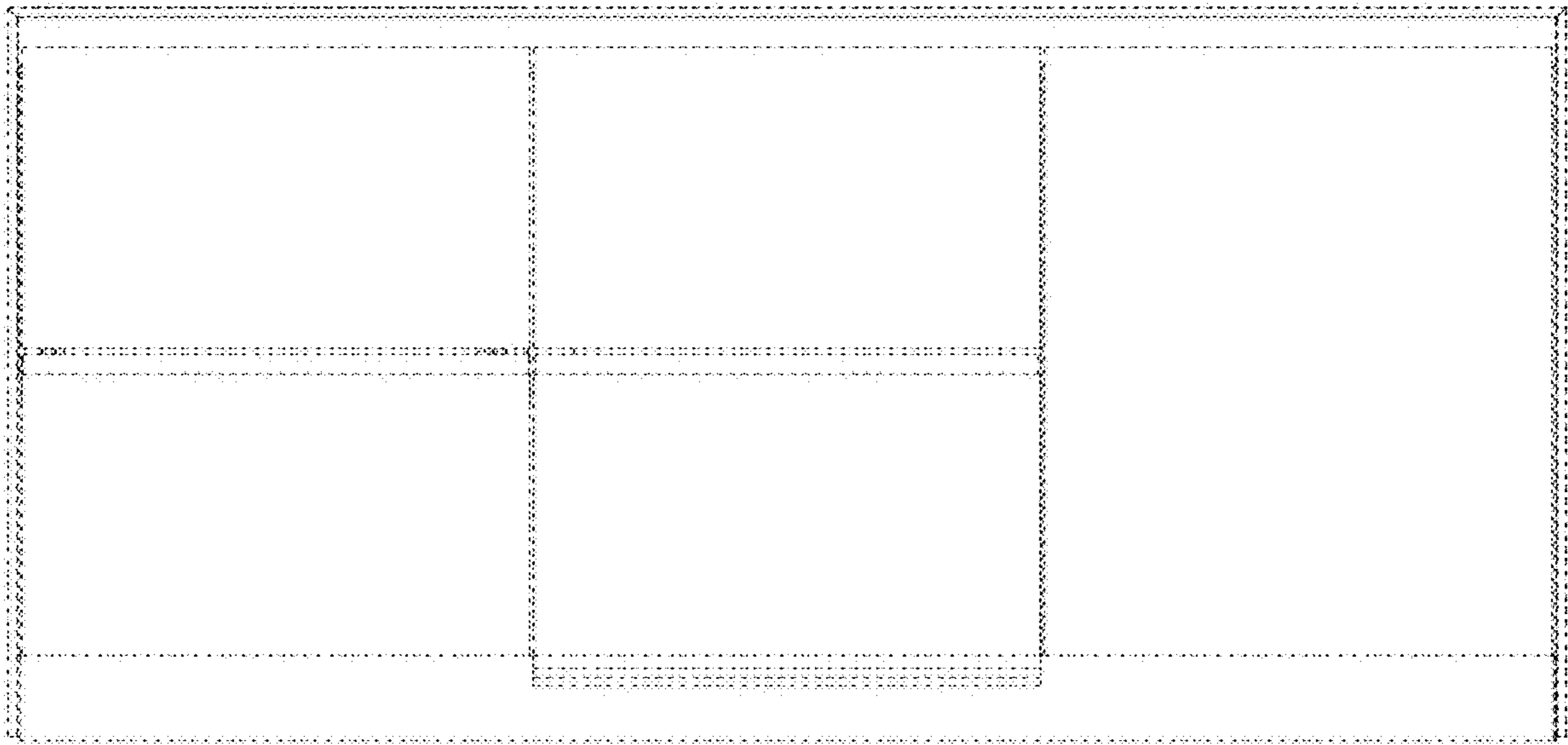
1.16



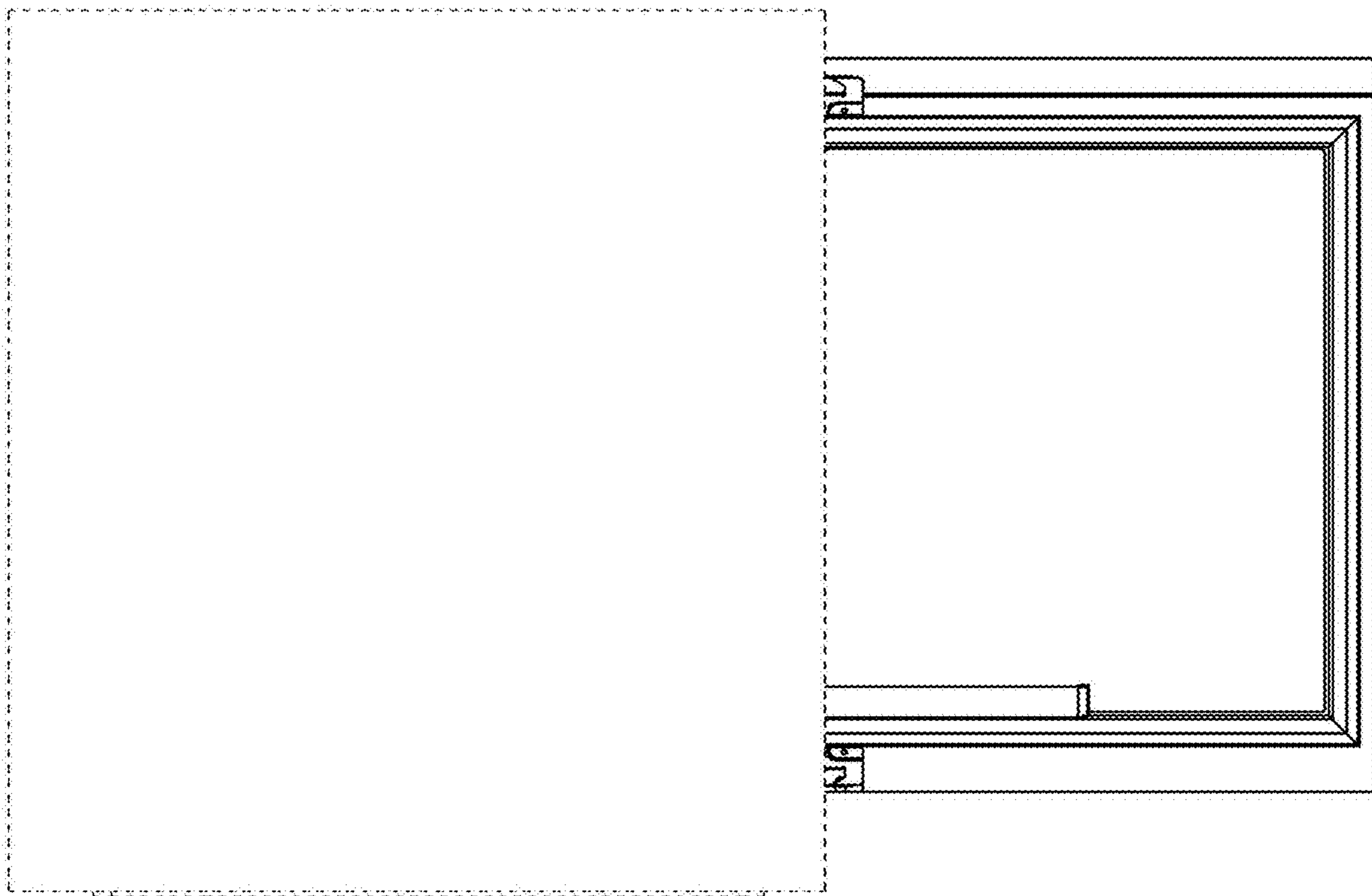
1.17



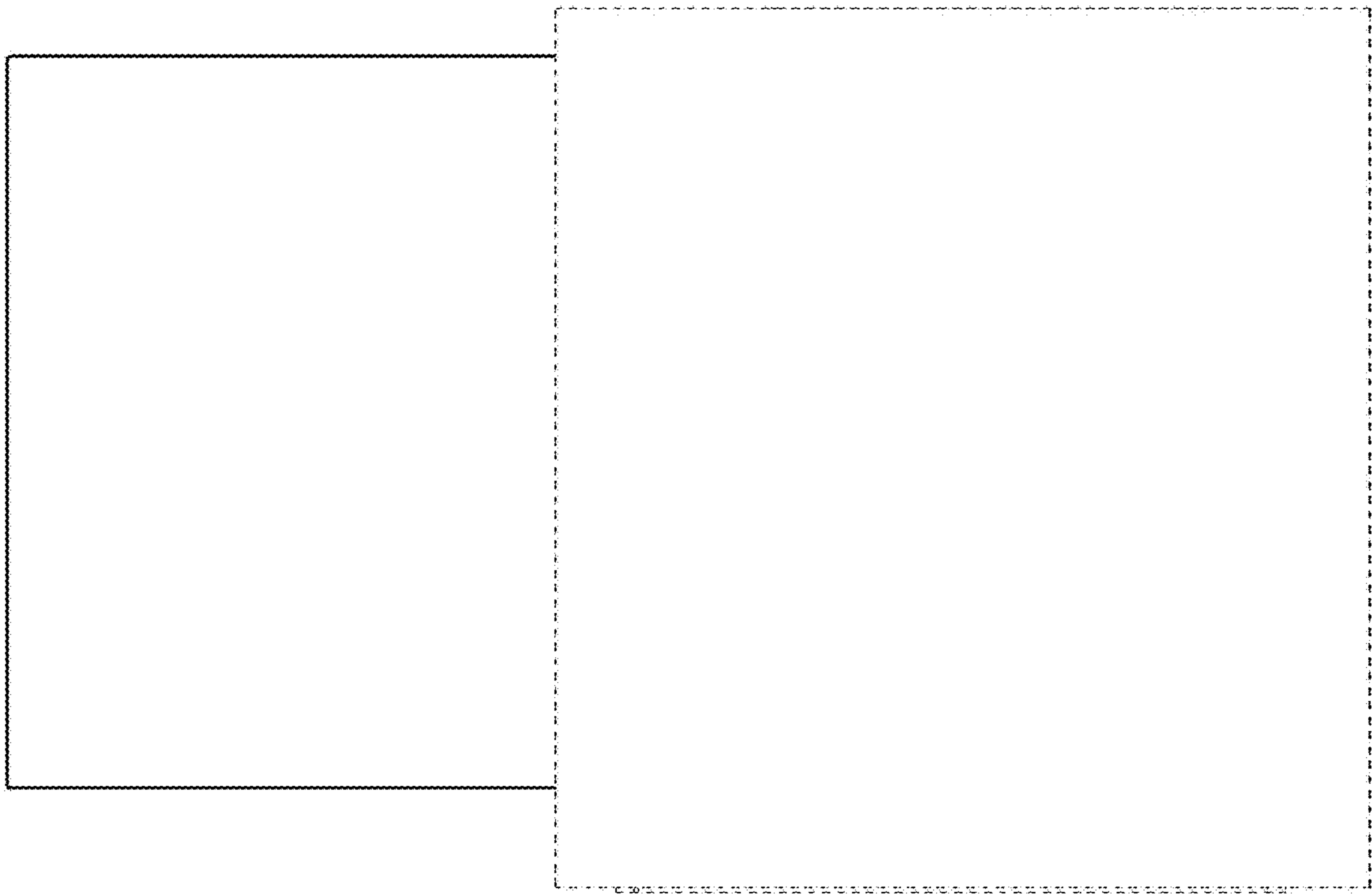
1.18



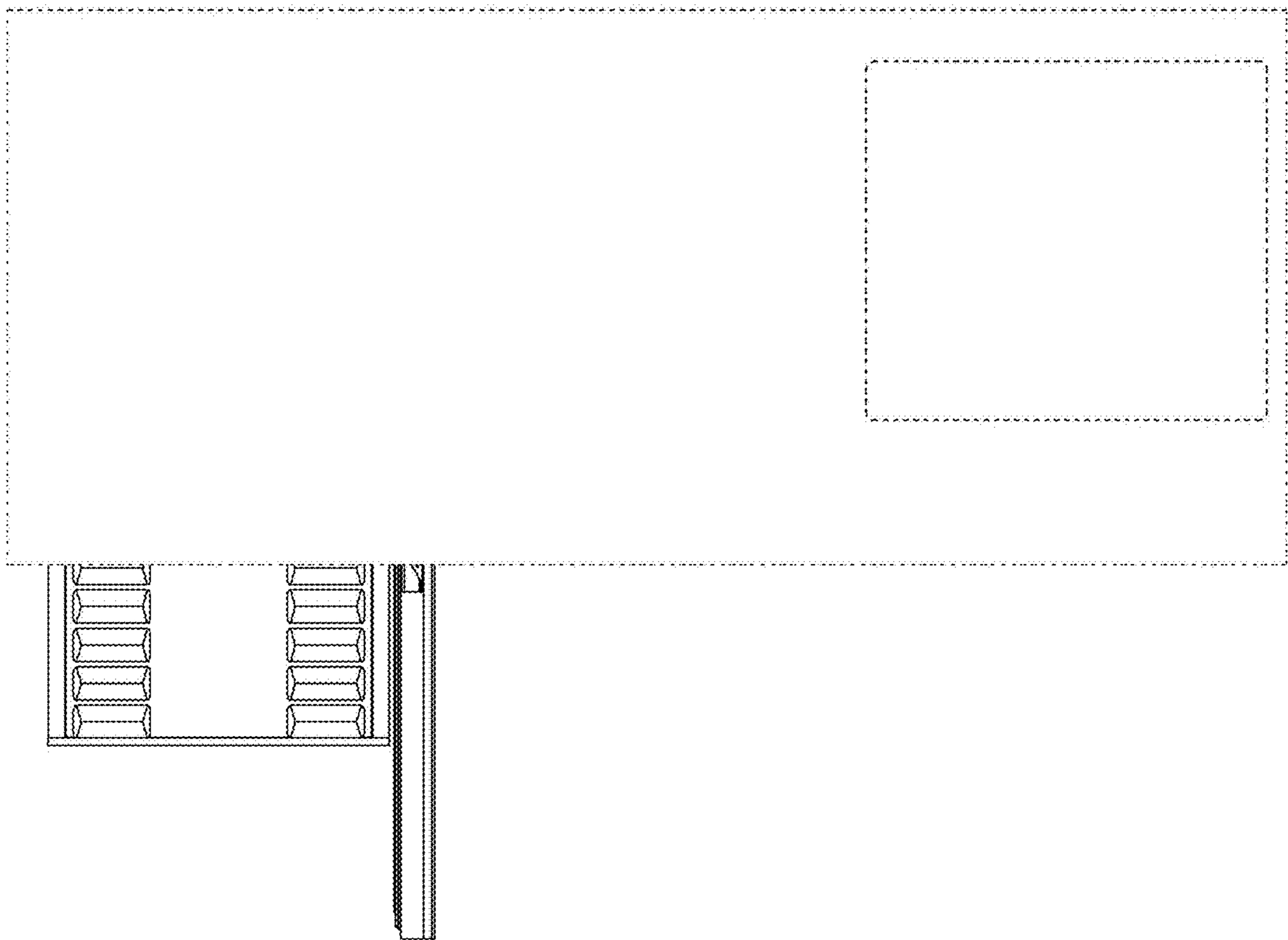
1.19



1.20



1.21



1.22

