



US00D897747S

(12) **United States Design Patent**
Birch

(10) **Patent No.:** **US D897,747 S**

(45) **Date of Patent:** **** Oct. 6, 2020**

(54) **DINING TABLE**

(71) Applicant: **RH US, LLC**, Corte Madera, CA (US)

(72) Inventor: **John Birch**, New York, NY (US)

(73) Assignee: **RH US, LLC**, Corte Madera, CA (US)

(**) Term: **15 Years**

(21) Appl. No.: **29/634,791**

(22) Filed: **Jan. 24, 2018**

(51) **LOC (12) Cl.** **06-03**

(52) **U.S. Cl.**
USPC **D6/692.1**

(58) **Field of Classification Search**
USPC D6/369, 668, 672, 677, 685, 686, 687,
D6/689, 692, 692.1-692.6, 696, 698, 702,
D6/703.1, 707.18, 707.2, 708, 708.15,
D6/708.17, 708.2, 708.23
CPC A47B 7/00; A47B 11/00; A47B 13/12;
A47B 3/08; A47B 3/0803; A47B 49/004;
A47B 13/023; A47B 2013/024; A47B
2013/025; A47B 2013/026; A47B
2013/027; A47B 13/086

See application file for complete search history.

(56) **References Cited**

U.S. PATENT DOCUMENTS

D200,713 S *	3/1965	Pearsall	D6/708
D222,624 S *	11/1971	Gianfagna	D6/692.6
D237,929 S *	12/1975	Laylon	D6/692
D248,703 S *	8/1978	Morgan, Jr.	D26/58
D252,965 S *	9/1979	Petersen	D6/692.4
D340,821 S *	11/1993	Gibilterra	D6/692.1
D472,406 S *	4/2003	de Blois	D6/692
D747,904 S *	1/2016	Haynes	D6/692
D754,996 S *	5/2016	Pedersen	D6/708.16

D759,408 S *	6/2016	Denby	D6/677
D821,128 S *	6/2018	Pocci	D6/692.3
D839,645 S *	2/2019	Itou	D6/692

OTHER PUBLICATIONS

S4295, posted at Restorationhardware.com, posted on Nov. 11, 2017, site visited Sep. 19, 2019. online, available from internet: <https://web.archive.org/web/20171011004027/https://www.restorationhardware.com/catalog/category/products.jsp?categoryId=cat12690004> (Year: 2017).*

* cited by examiner

Primary Examiner — Mary Ann Calabrese

Assistant Examiner — Catherine Ho

(74) *Attorney, Agent, or Firm* — Lewis Roca Rothgerber Christie LLP

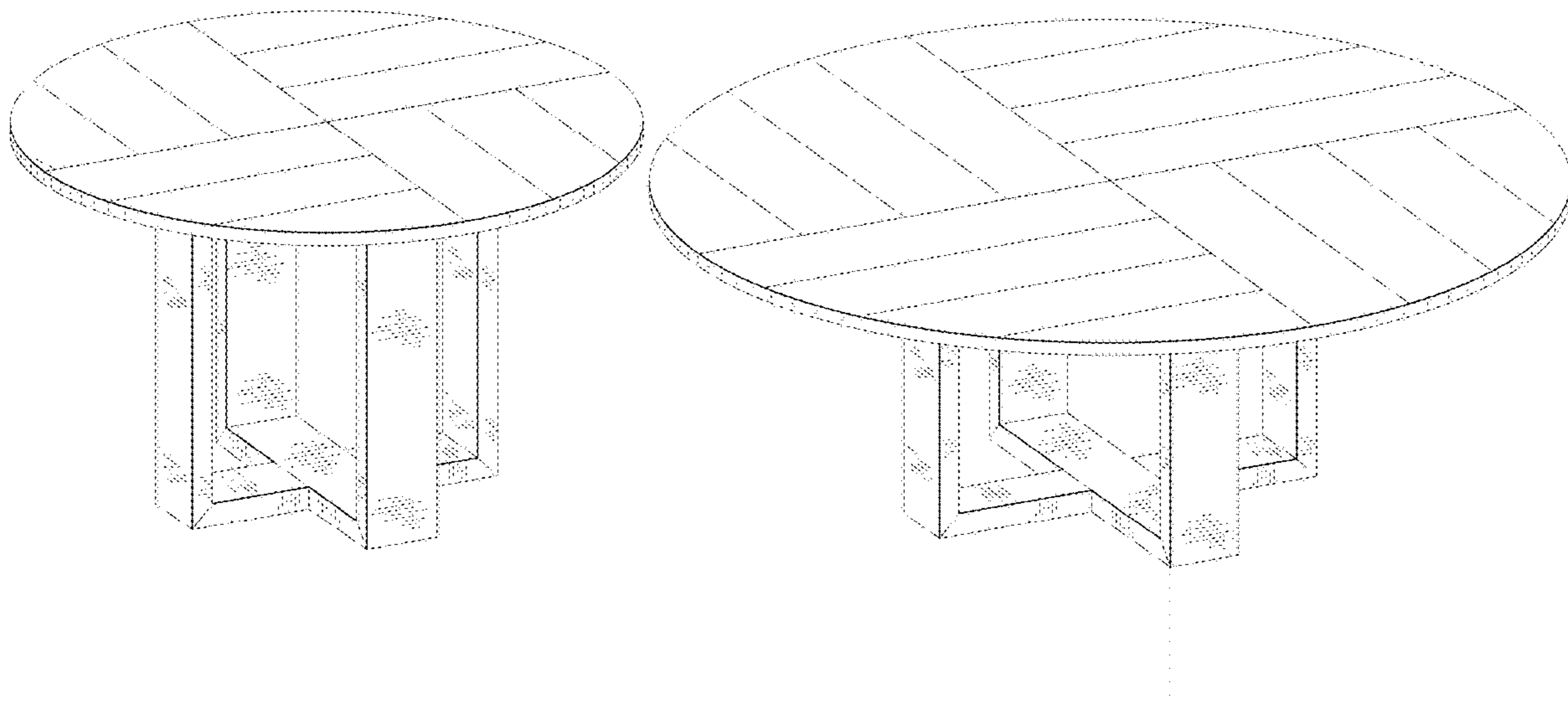
(57) **CLAIM**

I claim the ornamental design for a dining table, as shown and described.

DESCRIPTION

FIG. 1 is a front and right side perspective view of the first embodiment of a dining table showing my new design; FIG. 2 is a top plan view thereof; FIG. 3 is a right side elevation view thereof, the left side elevation view being a mirror image thereof; FIG. 4 is a front and right side perspective view of the second embodiment of a dining table showing my new design; FIG. 5 is a top plan view thereof; FIG. 6 is a right side elevation view thereof, the left side elevation view being a mirror image thereof; FIG. 7 is a front and right side perspective view of the third embodiment of a dining table; FIG. 8 is a top plan view thereof; and, FIG. 9 is a right side elevation view thereof.

1 Claim, 9 Drawing Sheets



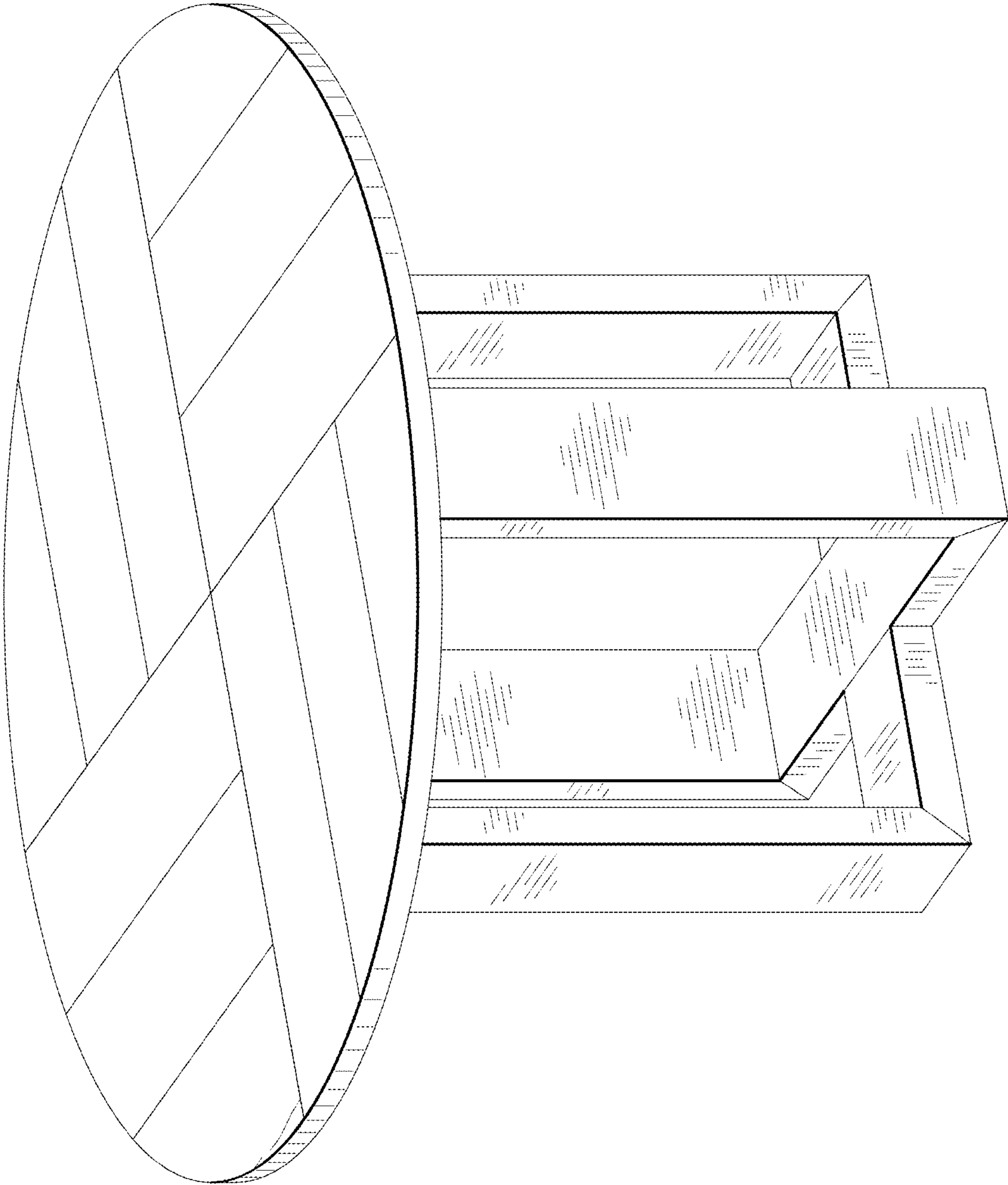


FIG. 1

FIG. 2

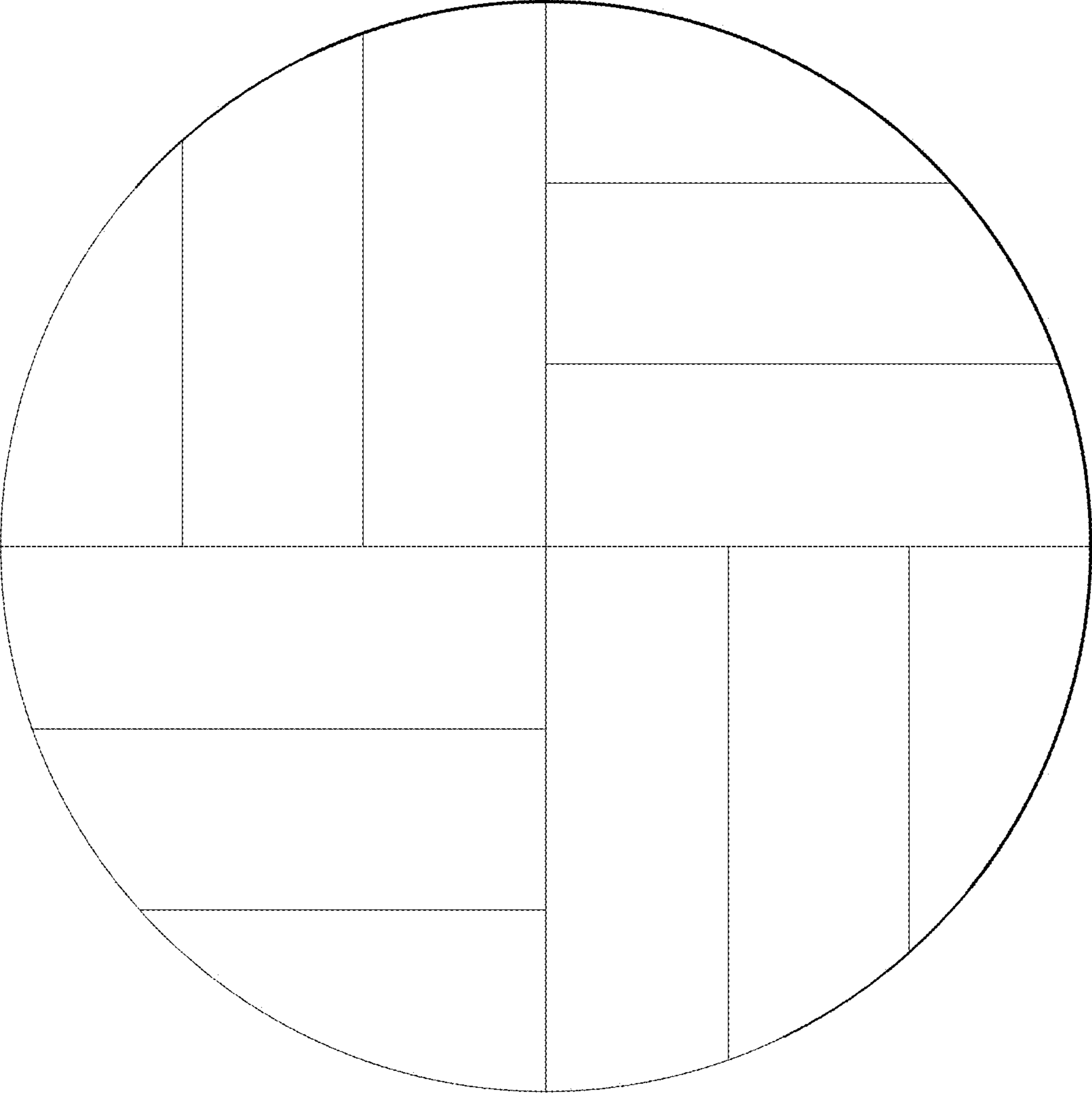


FIG. 3

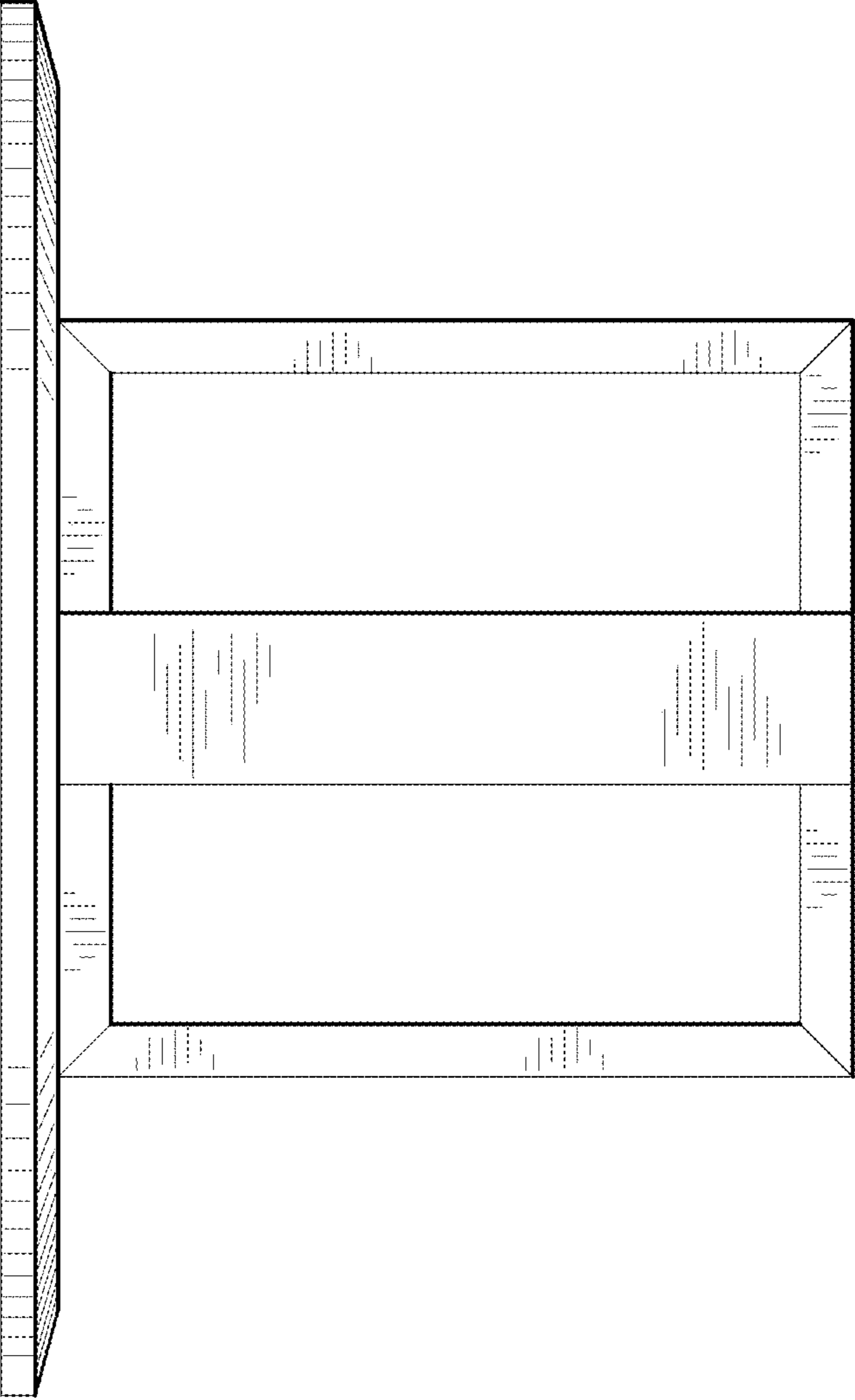
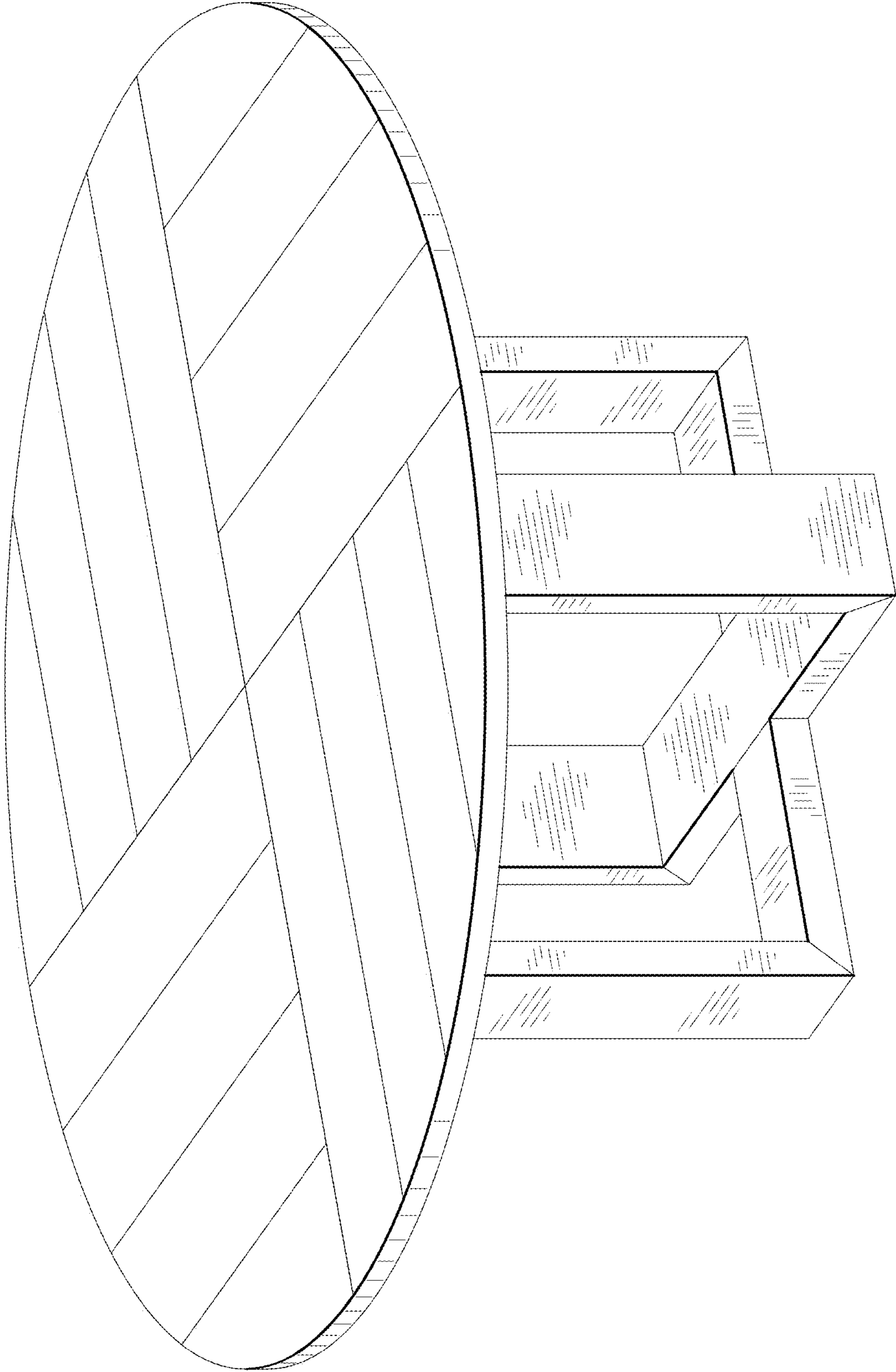


FIG. 4



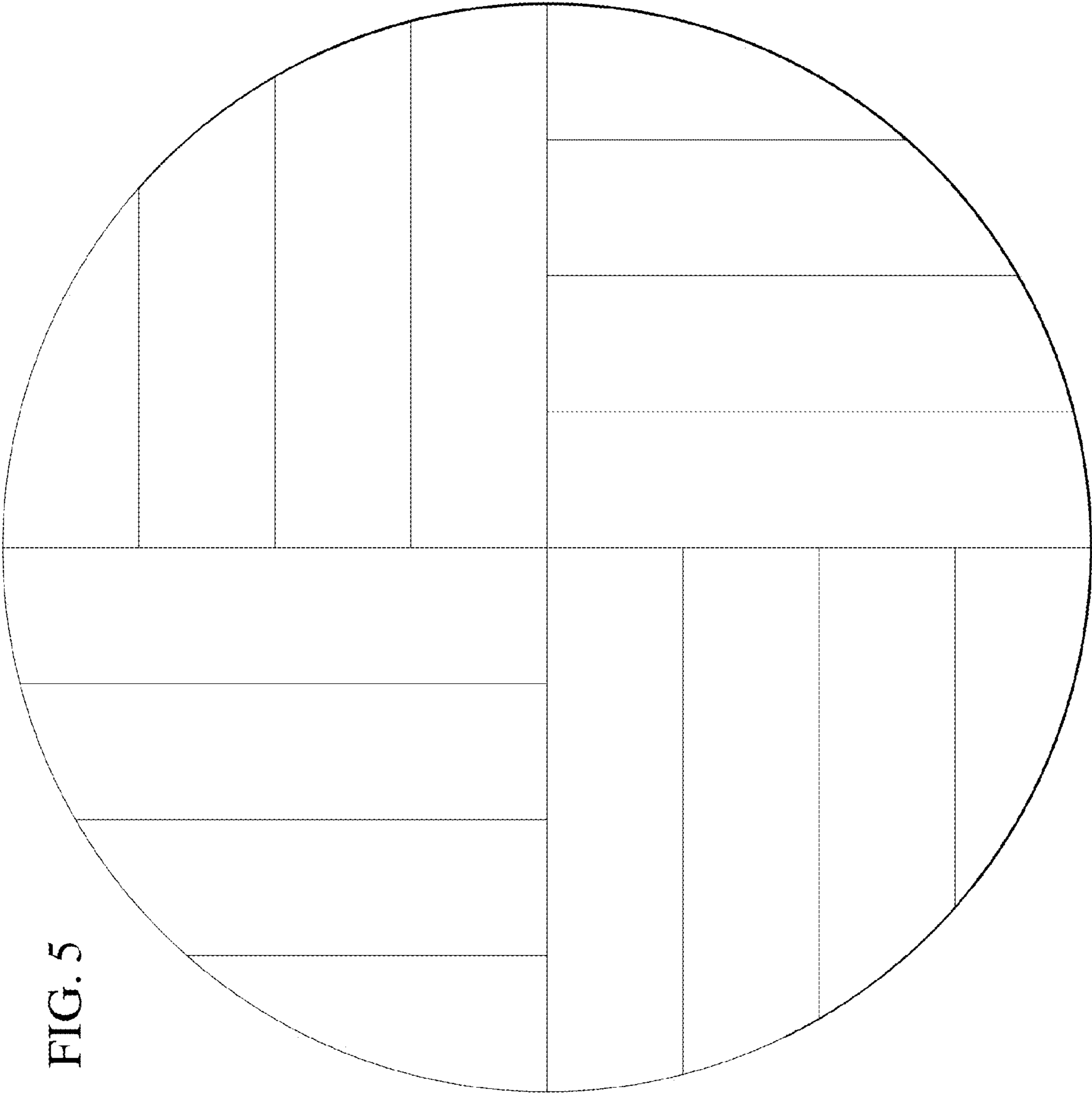


FIG. 5

FIG. 6

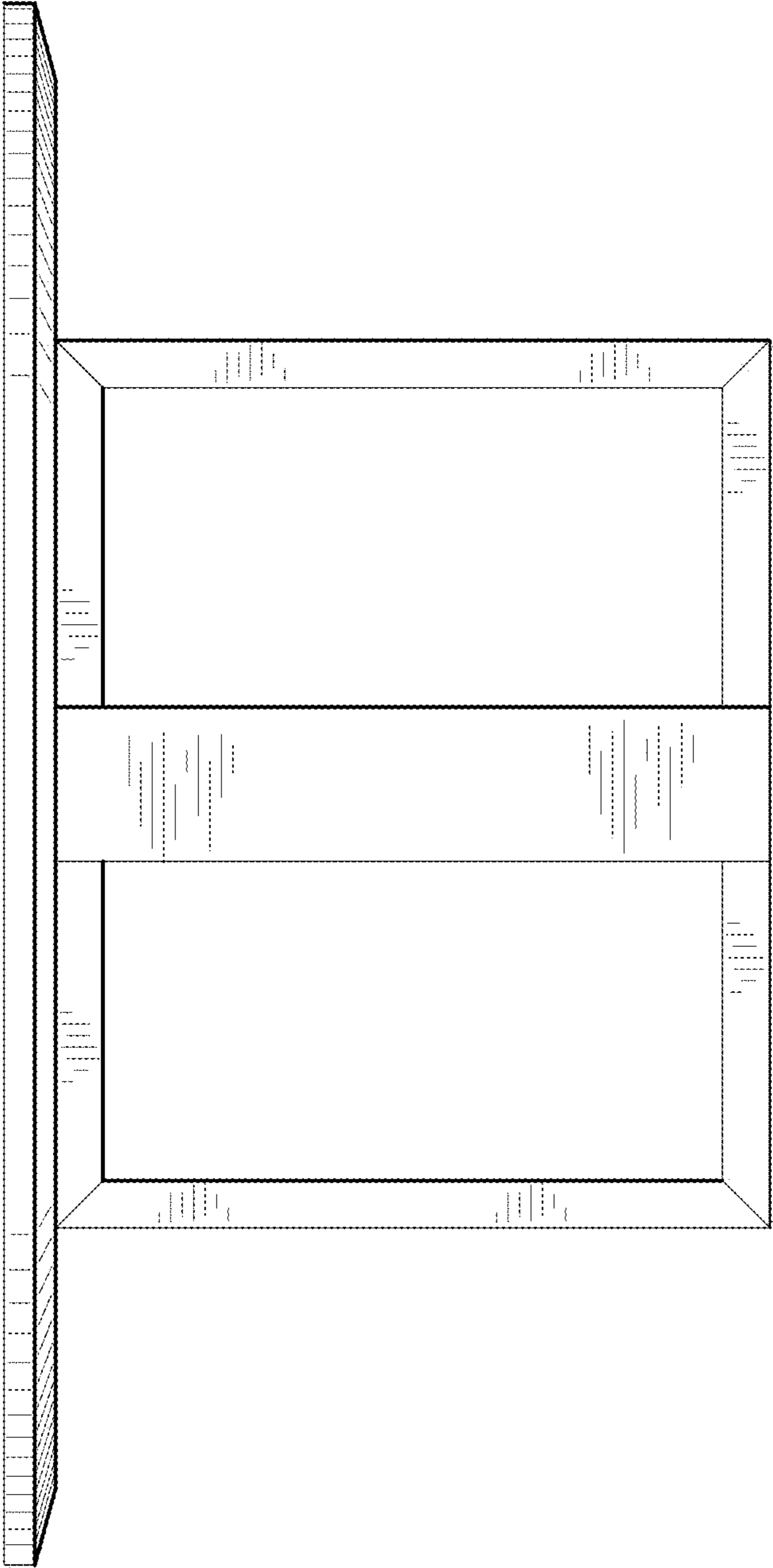
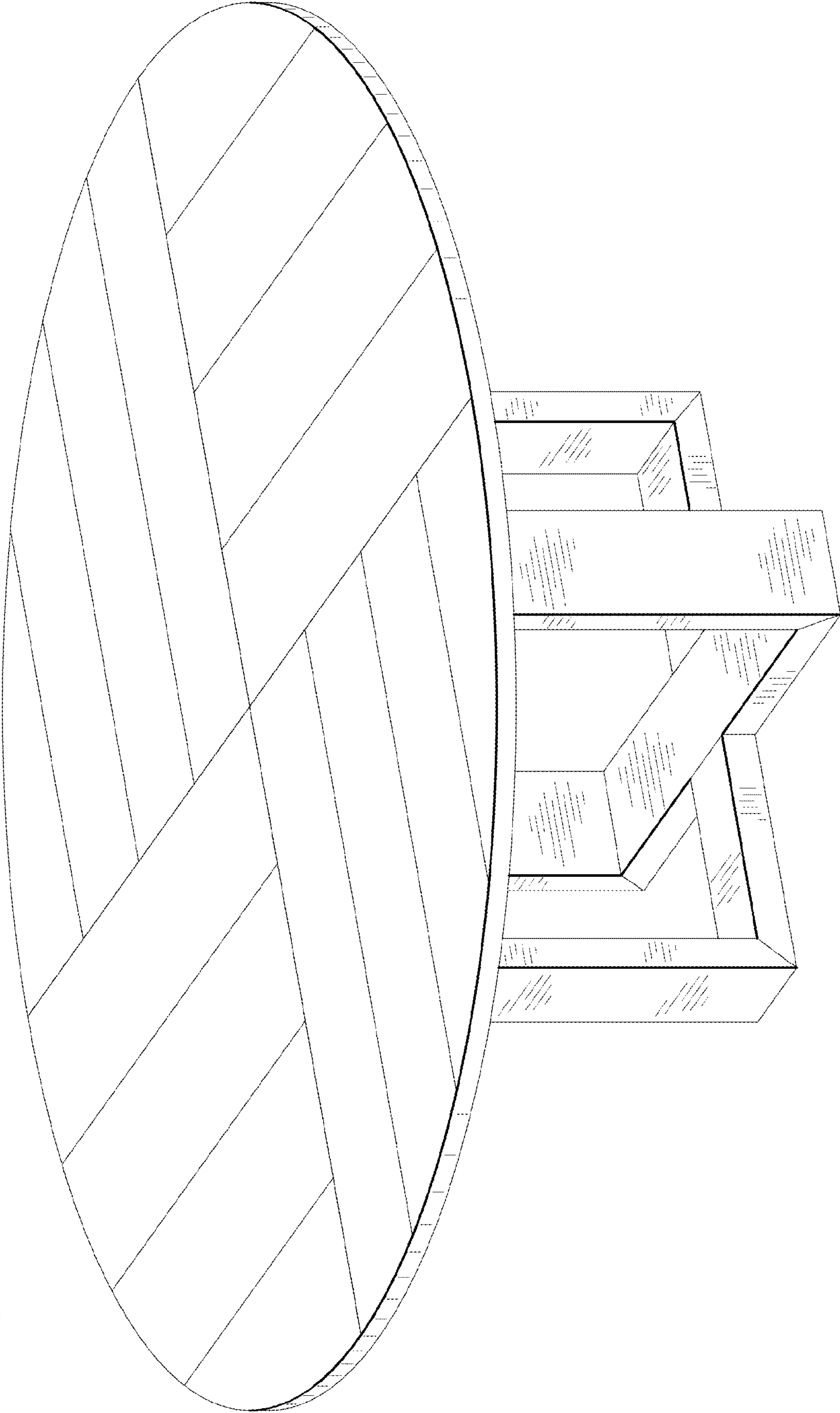


FIG. 7



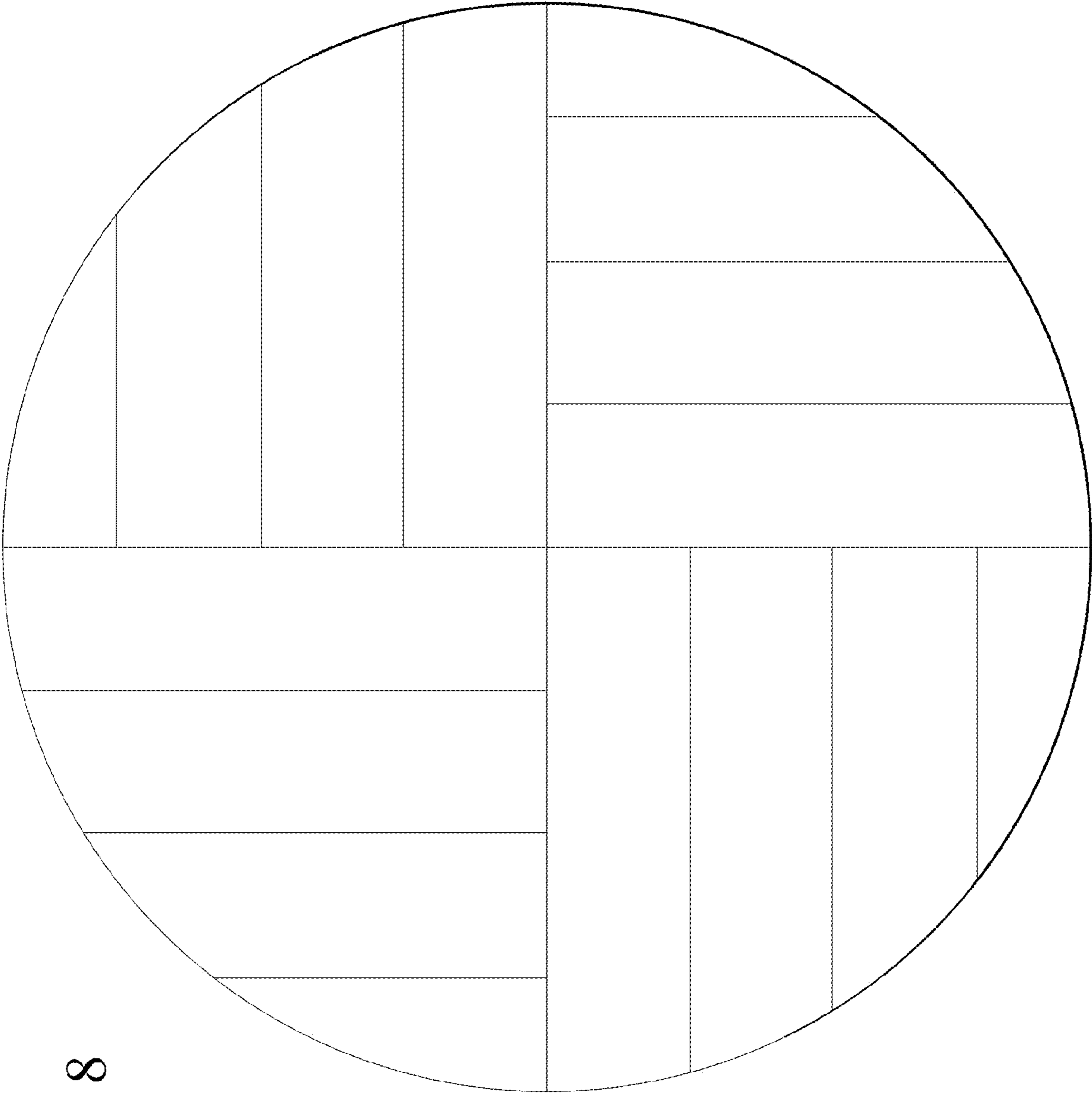


FIG. 8

FIG. 9

