



US00D897745S

(12) **United States Design Patent**
Dardashti

(10) **Patent No.:** **US D897,745 S**

(45) **Date of Patent:** **** Oct. 6, 2020**

- (54) **POWER STRIP STAND**
- (71) Applicant: **ATLANTIC REPRESENTATIONS, INC.**, Santa Fe Springs, CA (US)
- (72) Inventor: **Shahriar L. Dardashti**, Santa Fe Springs, CA (US)
- (73) Assignee: **ATLANTIC REPRESENTATIONS, INC.**, Santa Fe Springs, CA (US)
- (**) Term: **15 Years**
- (21) Appl. No.: **29/694,512**
- (22) Filed: **Jun. 11, 2019**
- (51) **LOC (12) Cl.** **06-06**
- (52) **U.S. Cl.**
USPC **D6/682.1**
- (58) **Field of Classification Search**
USPC D6/672, 673, 675, 678, 682, 682.1,
D6/682.2, 682.3, 682.6
CPC A47B 57/30; A47F 3/00; A47F 5/0006;
A47F 7/00; A47F 7/02; A47F 7/021;
A47F 11/00; A47F 5/12; A47F 5/006;
A47F 7/0035; A47G 29/00; A47G 29/08
See application file for complete search history.

- D796,047 S * 8/2017 Janzen D24/186
 - D796,436 S * 9/2017 Rivera D13/108
 - D828,058 S * 9/2018 Khanicheh D6/681
 - D856,426 S * 8/2019 Lim D20/10
 - D867,794 S * 11/2019 Nakamura D6/675
 - D869,883 S * 12/2019 Schaefer D6/675.2
 - D885,094 S * 5/2020 Cao D6/682.2
 - 2013/0320921 A1 * 12/2013 Muller H02J 7/0042
320/109
 - 2017/0027422 A1 * 2/2017 Khanicheh F16M 11/041
- * cited by examiner

Primary Examiner — Kelley A Donnelly
(74) *Attorney, Agent, or Firm* — R. Lynette Wylie; Apex Juris, pllc.

(57) **CLAIM**

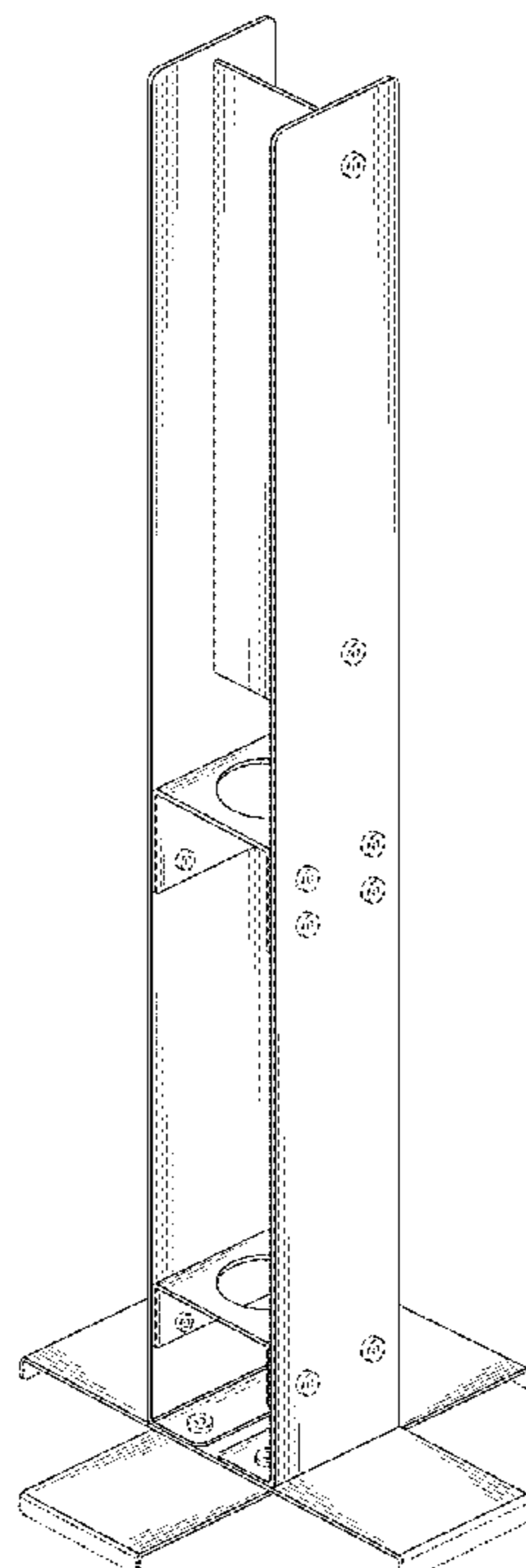
The ornamental design for a power strip stand, as shown and described.

DESCRIPTION

FIG. 1 is an angled side perspective view of a power strip stand;
FIG. 2 is a front view thereof;
FIG. 3 is a rear view thereof;
FIG. 4 is a side view thereof;
FIG. 5 is an opposing side view thereof;
FIG. 6 is a top view thereof;
FIG. 7 is a bottom view thereof; and,
FIG. 8 is a perspective view thereof in an environment of use.
The broken lines depict portions of the claimed design or environment that form no part of the claimed design.

1 Claim, 7 Drawing Sheets

- (56) **References Cited**
U.S. PATENT DOCUMENTS
3,648,960 A * 3/1972 Krekeler E21D 15/18
254/116
D581,700 S * 12/2008 DePace D6/675
D585,667 S * 2/2009 Levy D6/682.2
D659,090 S * 5/2012 deRoo D13/107
D683,330 S * 5/2013 Ryu D14/209.1



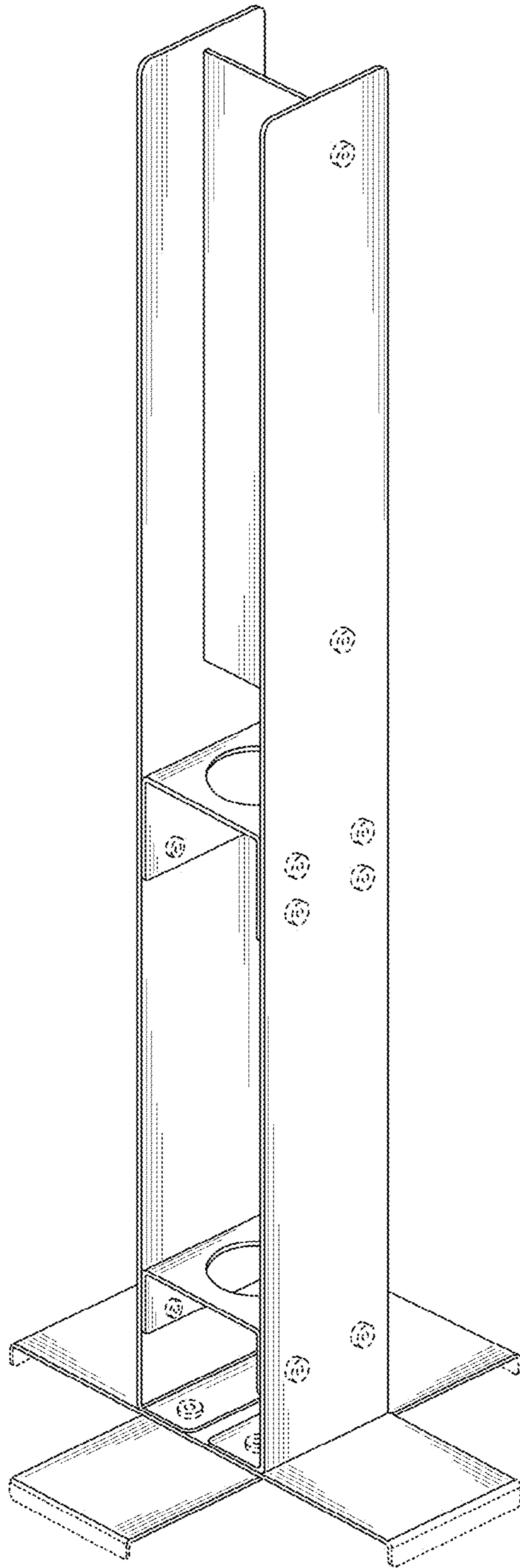


FIG. 1

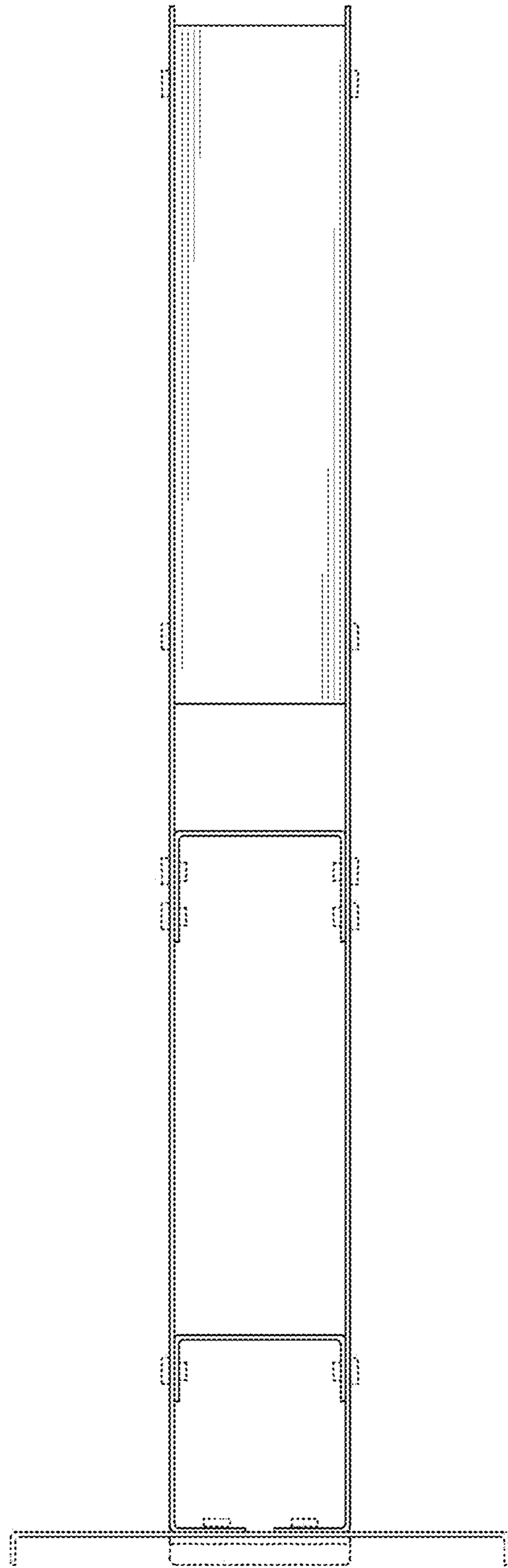


FIG. 2

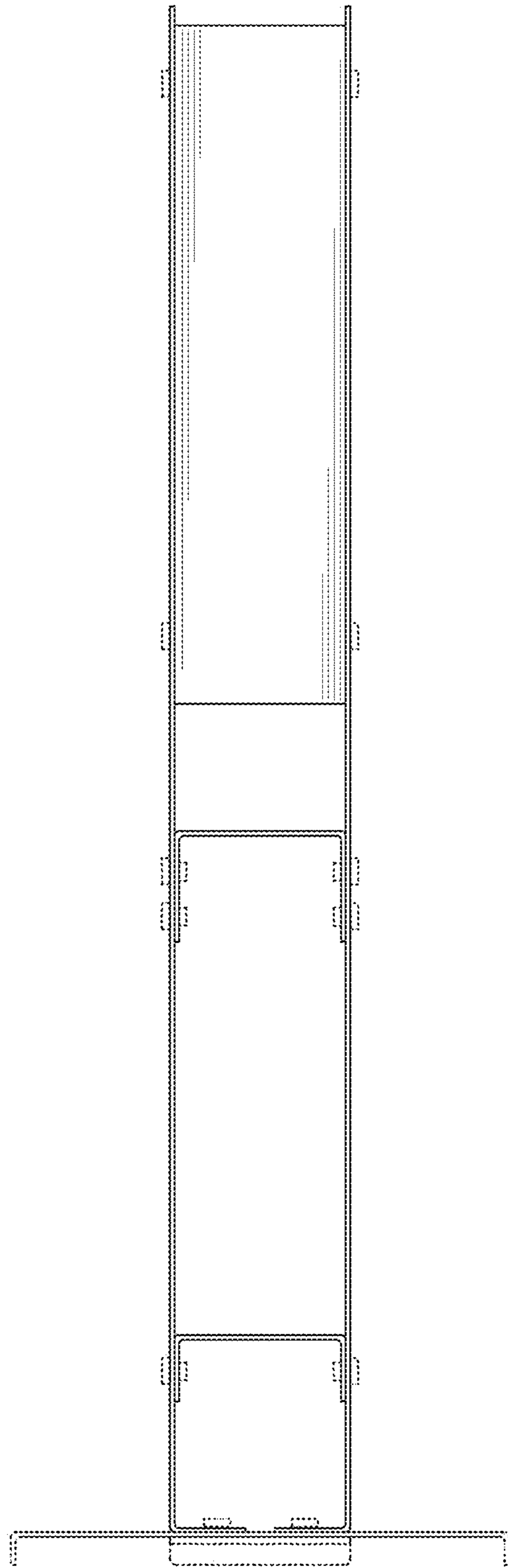


FIG. 3

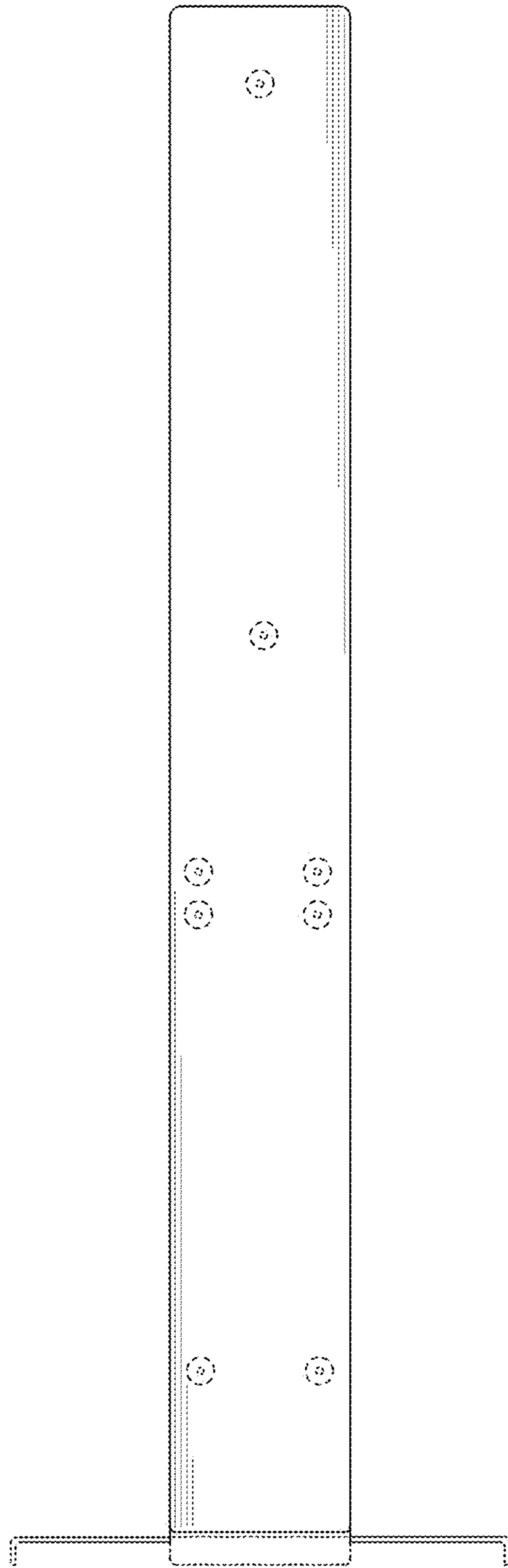


FIG. 4

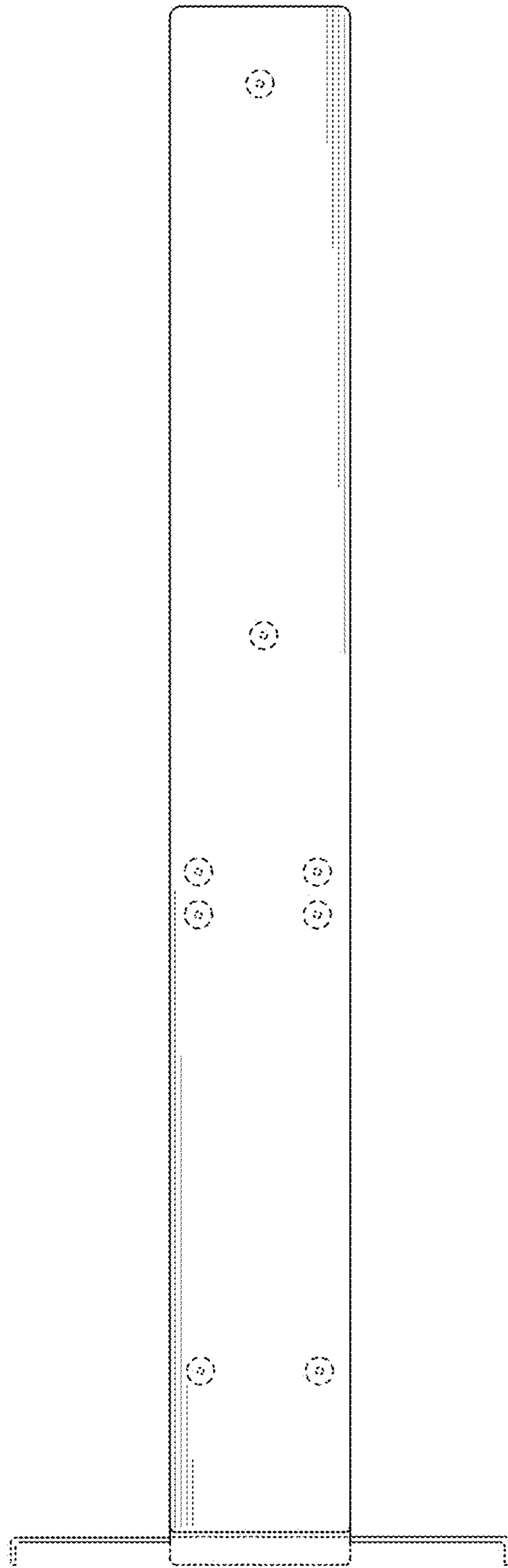


FIG. 5

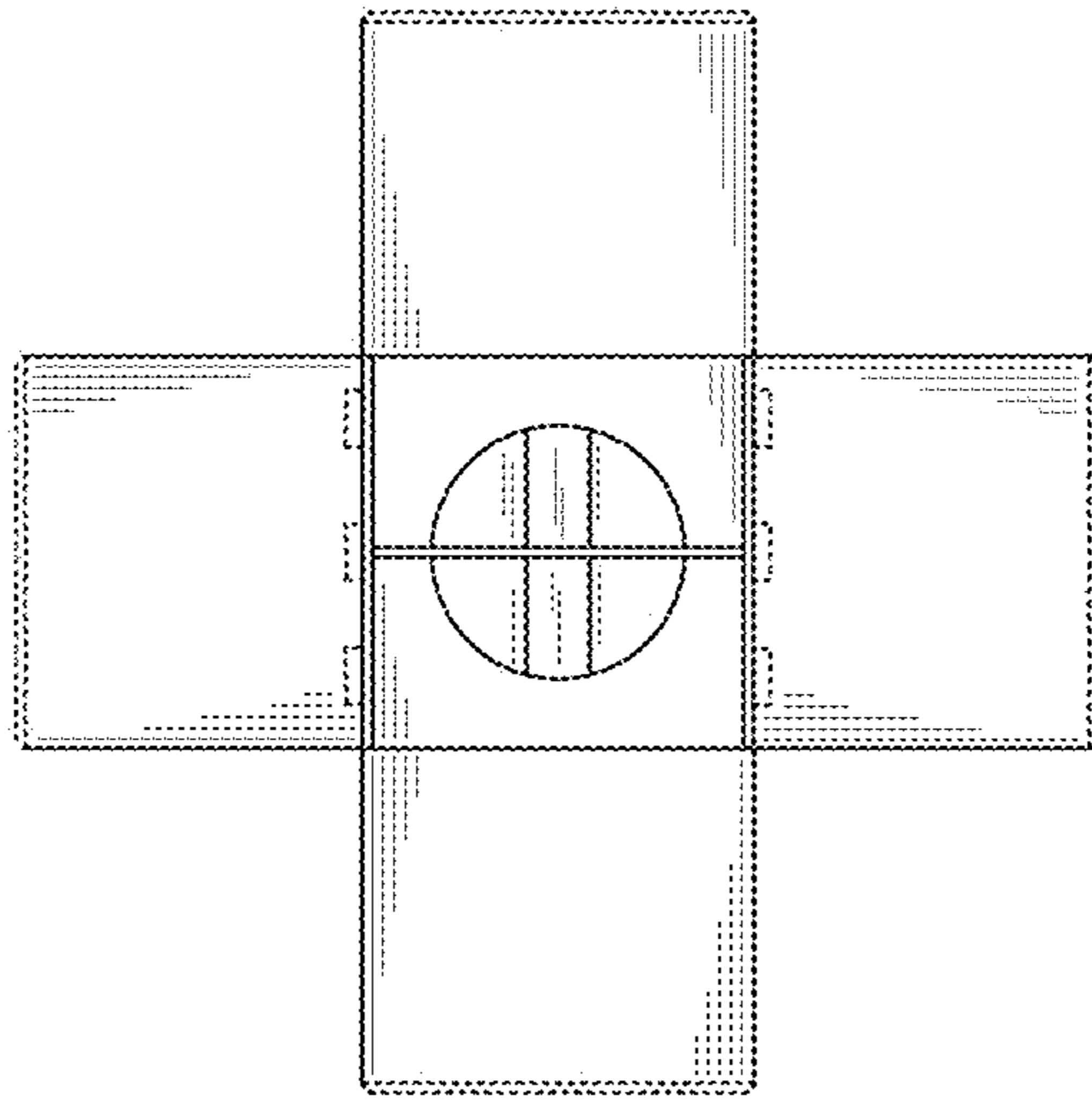


FIG. 6

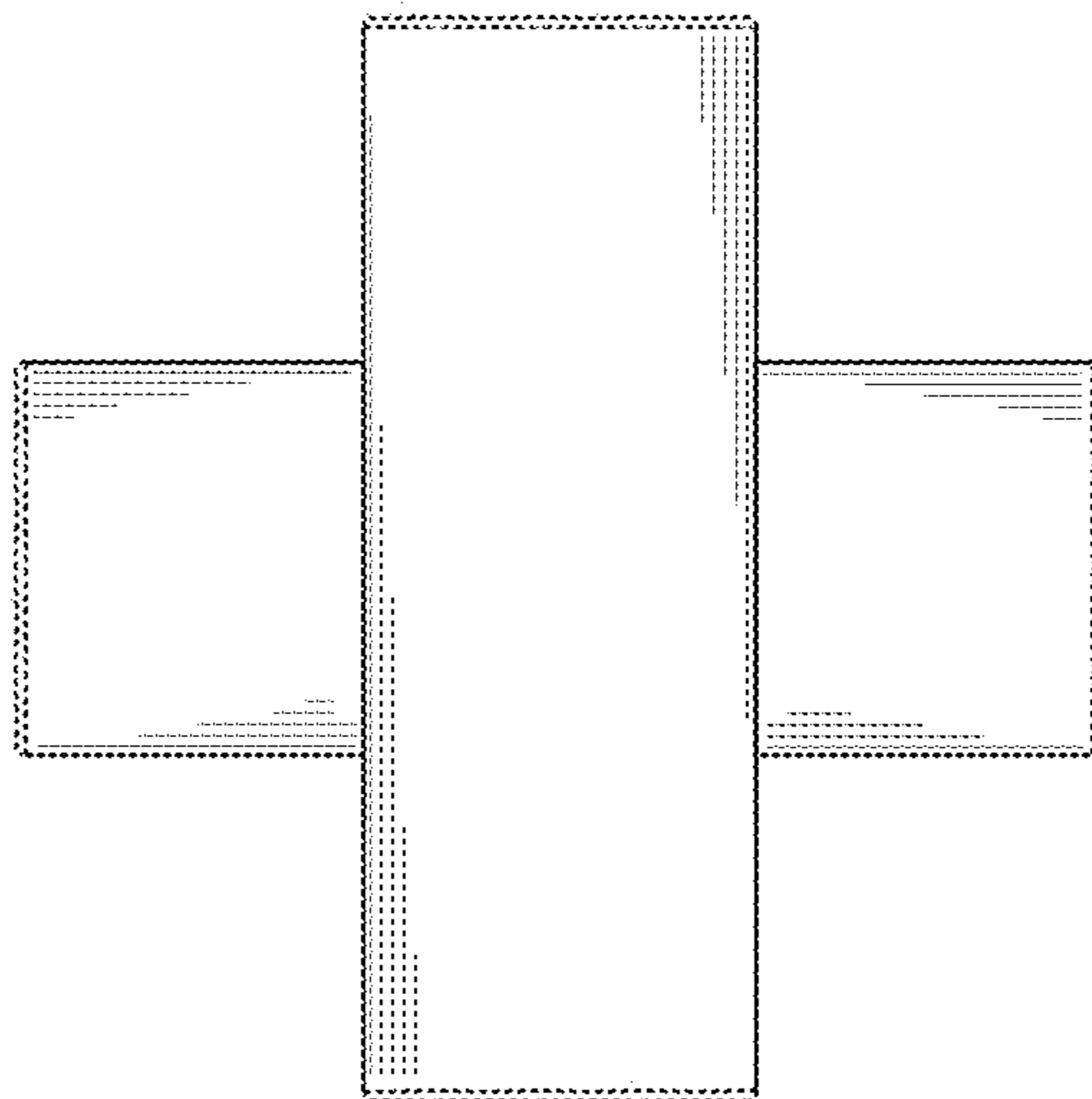


FIG. 7

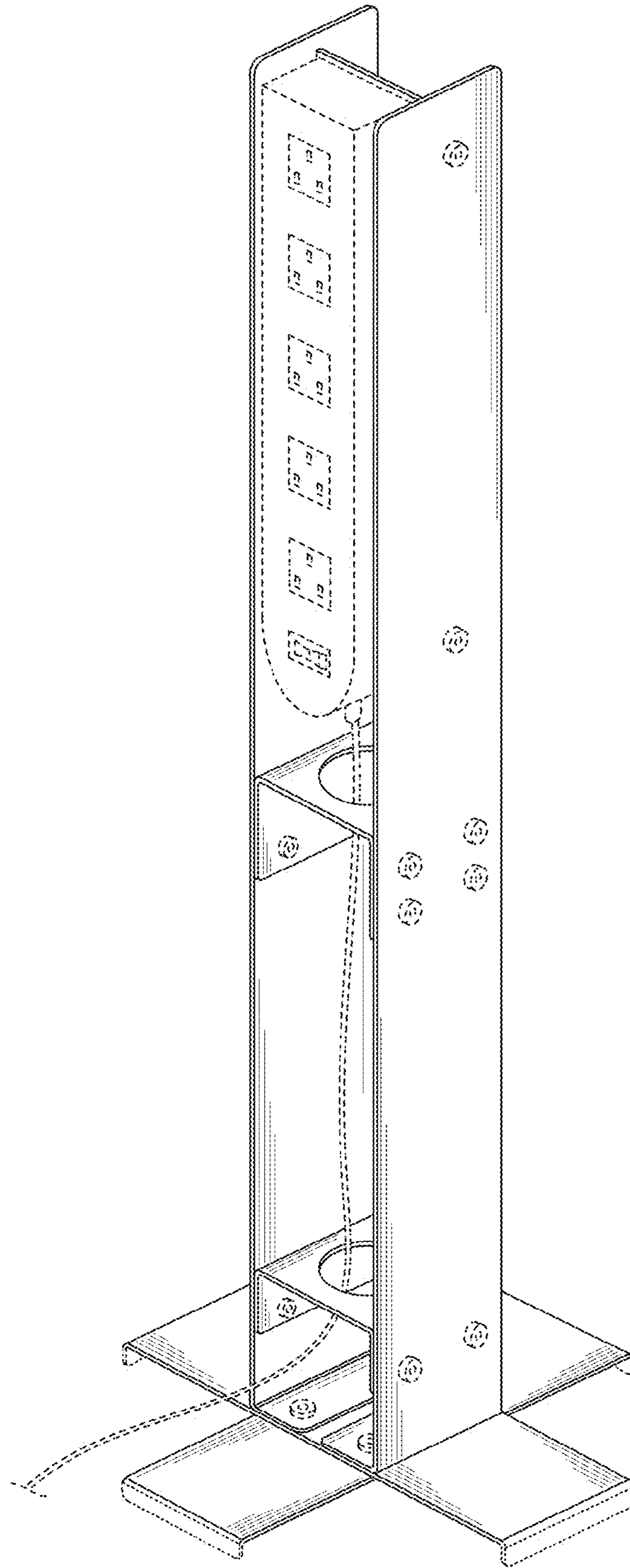


FIG. 8