



US00D897743S

(12) **United States Design Patent** (10) **Patent No.:** **US D897,743 S**
Xu (45) **Date of Patent:** **** Oct. 6, 2020**

(54) **BOX SPRING COVER**

(71) Applicant: **Feng Xu**, Shaoxing (CN)

(72) Inventor: **Feng Xu**, Shaoxing (CN)

(**) Term: **15 Years**

(21) Appl. No.: **29/709,885**

(22) Filed: **Oct. 18, 2019**

(51) **LOC (12) Cl.** **06-99**

(52) **U.S. Cl.**
USPC **D6/606**

(58) **Field of Classification Search**
USPC D6/382, 595, 596, 605, 606, 607;
D34/38
CPC A47C 23/00; A47C 23/06; A47C 23/061;
A47C 23/062; A47C 23/66; A47C
23/067; A47C 23/068; A47C 19/02
See application file for complete search history.

(56) **References Cited**

U.S. PATENT DOCUMENTS

3,869,738	A *	3/1975	Lawrence	A47C 19/005
					5/200.1
D245,747	S *	9/1977	Ikeda	D6/606
D276,112	S *	10/1984	Ferrell	D6/606
D278,489	S *	4/1985	Ragland	D6/382
4,870,711	A *	10/1989	Felix	A47C 19/005
					5/200.1
5,469,589	A *	11/1995	Steed	A47C 19/005
					5/201
5,738,029	A *	4/1998	Porter	D05B 21/00
					112/114
5,960,496	A *	10/1999	Boyd	A47C 27/144
					5/722
6,134,728	A *	10/2000	Hernandez	A47C 19/025
					5/176.1

D615,795	S	5/2010	Timmany		
D642,413	S *	8/2011	Rinehart	D6/596
8,312,576	B1 *	11/2012	Oh	A47C 23/005
					5/174
D733,464	S	7/2015	Nielson et al.		
D862,125	S	10/2019	Jensen et al.		
10,508,674	B2 *	12/2019	Harrow	F16B 12/20
2004/0199997	A1 *	10/2004	Harrow	A47C 19/005
					5/201
2008/0244827	A1 *	10/2008	Caon	A47C 19/005
					5/200.1
2012/0066835	A1 *	3/2012	Kelly	A47G 9/0292
					5/493

* cited by examiner

Primary Examiner — Jennifer L Rempfer

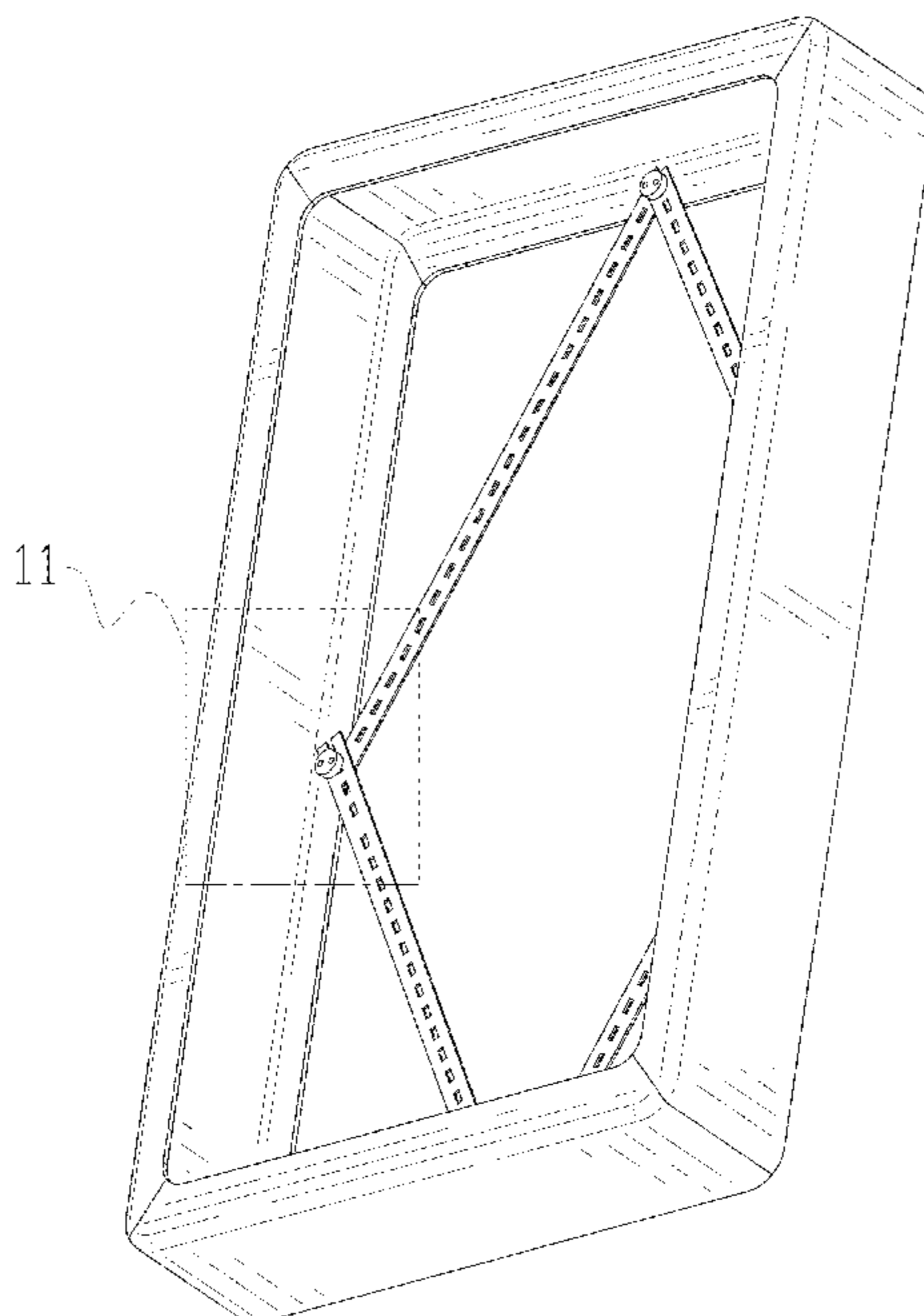
(57) **CLAIM**

The ornamental design for a box spring cover, as shown and described.

DESCRIPTION

FIG. 1 is a perspective view of a box spring cover showing my new design;
 FIG. 2 is another perspective view thereof;
 FIG. 3 is another perspective view thereof;
 FIG. 4 is a front elevational view thereof;
 FIG. 5 is a rear elevational view thereof;
 FIG. 6 is a left side elevational view thereof;
 FIG. 7 is a right side elevational view thereof;
 FIG. 8 is a top plan view thereof;
 FIG. 9 is a bottom plan view thereof;
 FIG. 10 is a front elevational view of the box spring cover where the box spring cover is in a configuration of use; and,
 FIG. 11 is an enlarged view of portion 11 shown in FIG. 1.
 The broken lines in the drawings depict portions of the box spring cover that form no part of the claimed design.

1 Claim, 11 Drawing Sheets



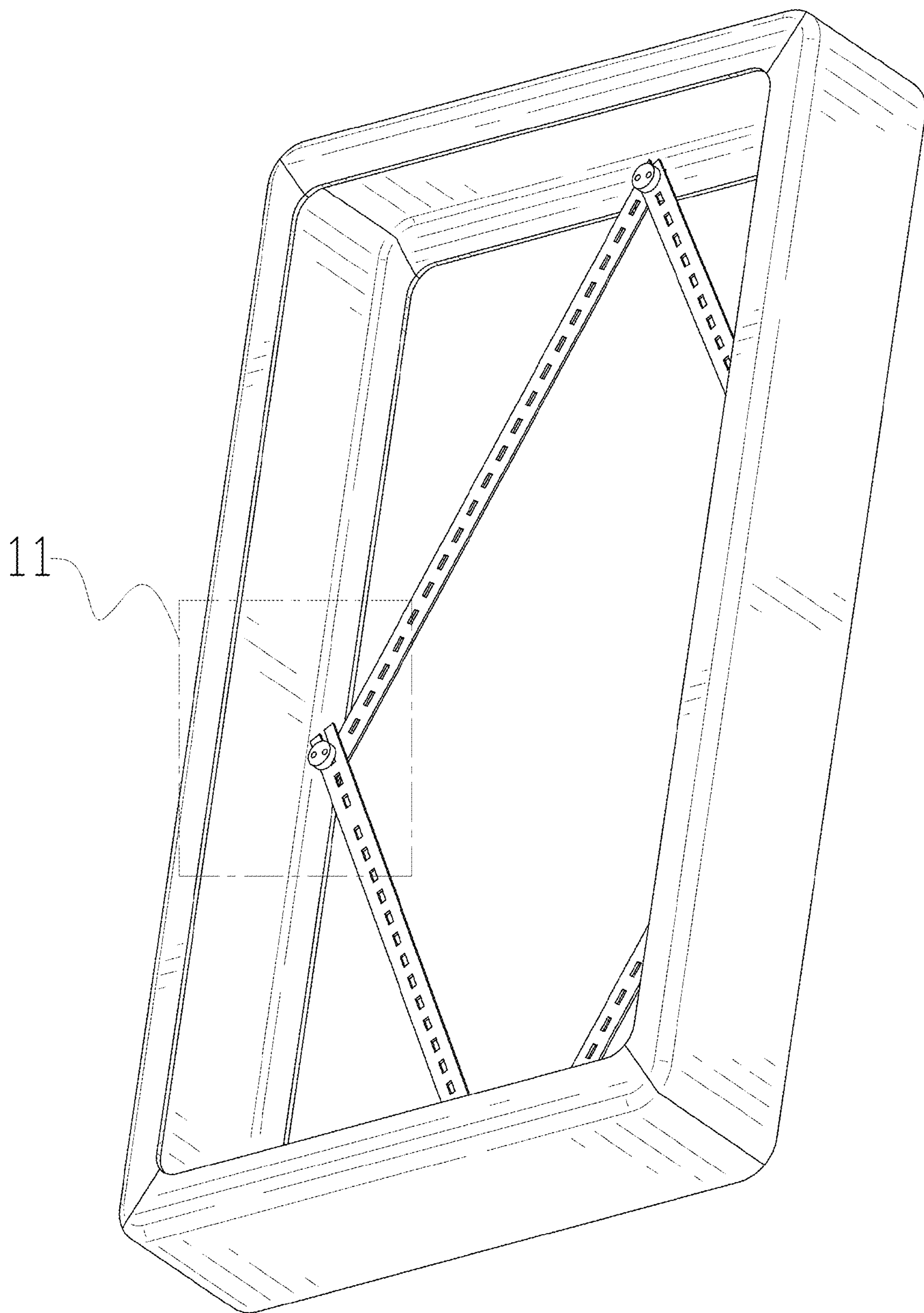


FIG. 1

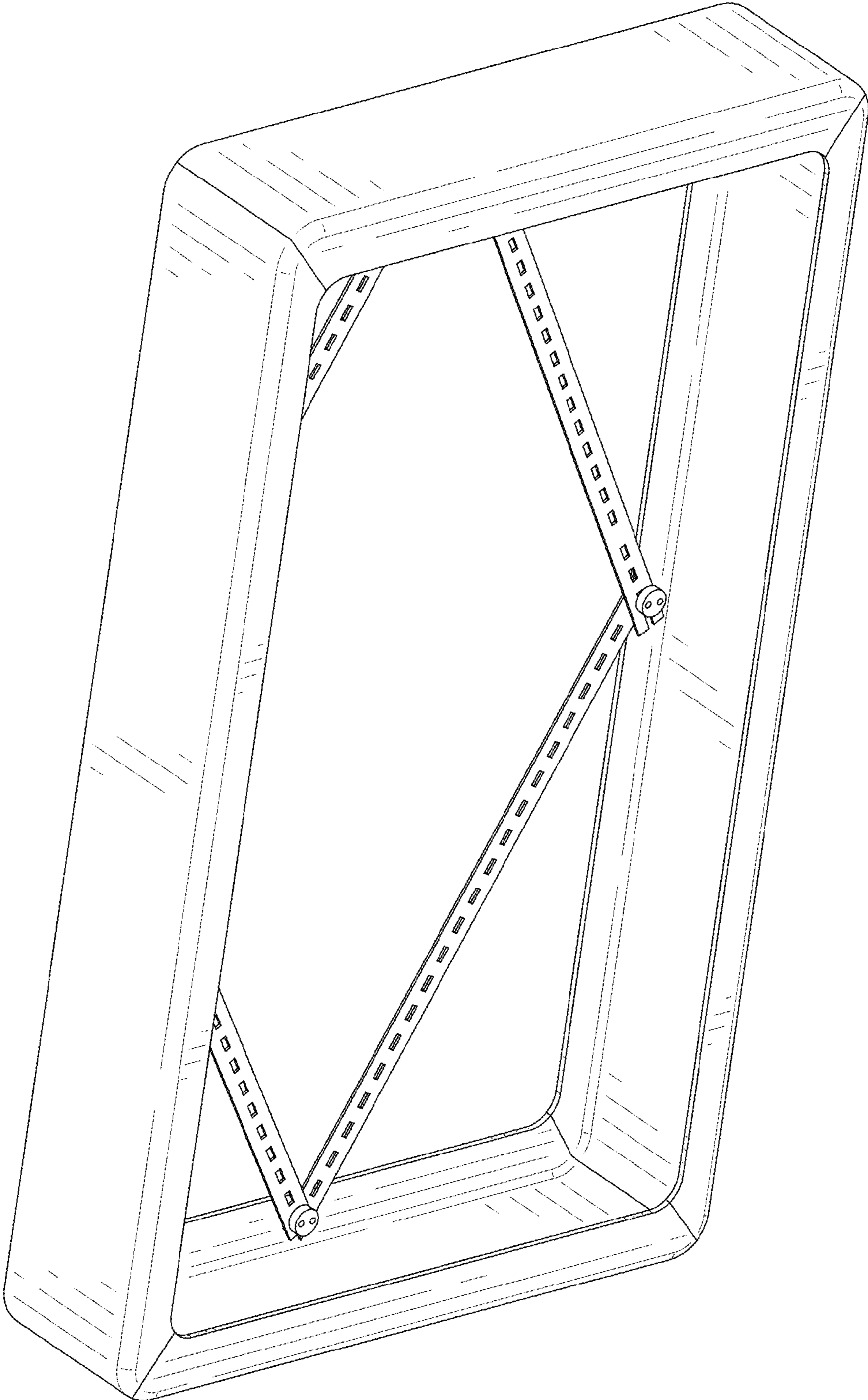


FIG. 2

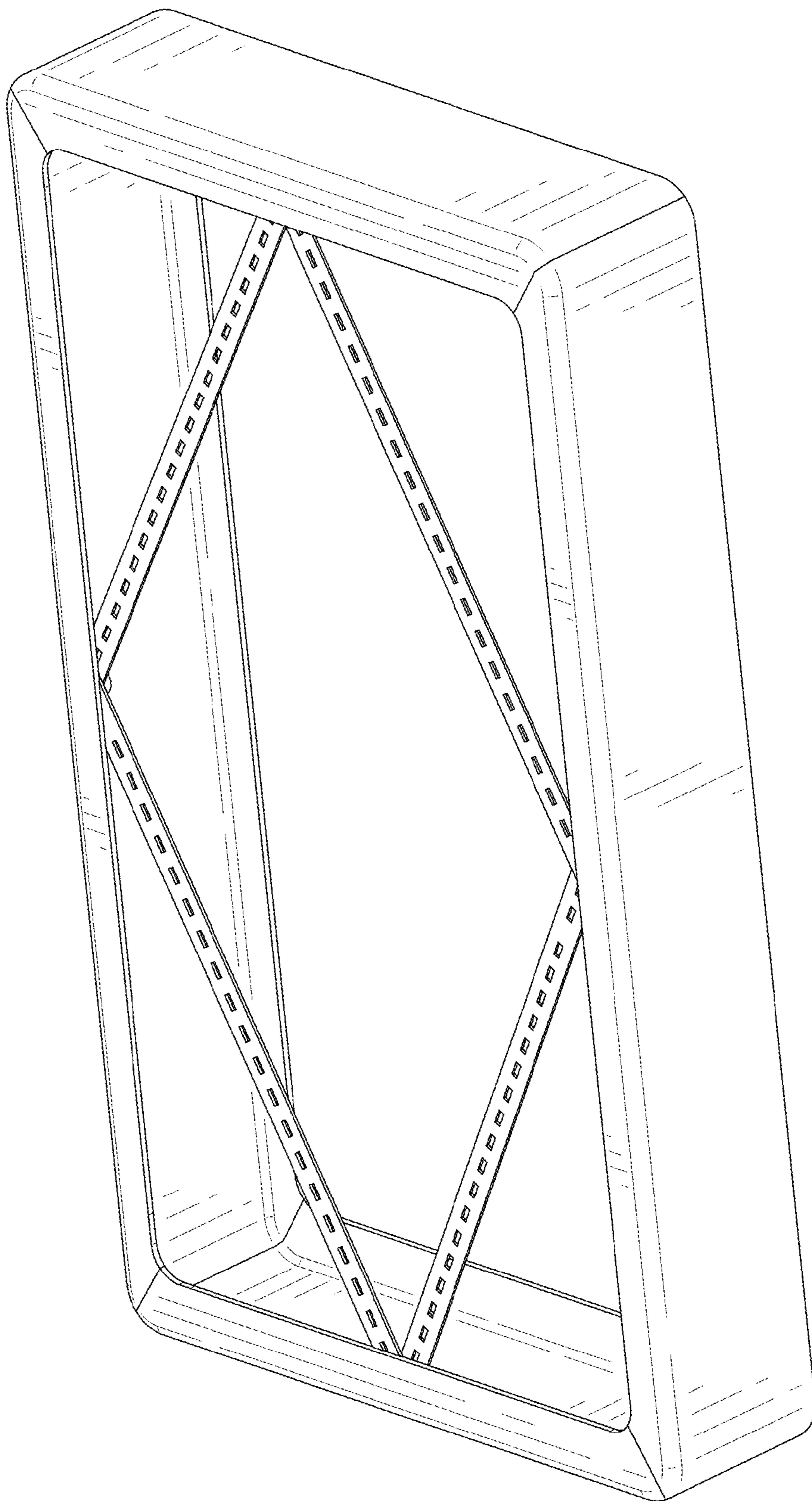


FIG. 3

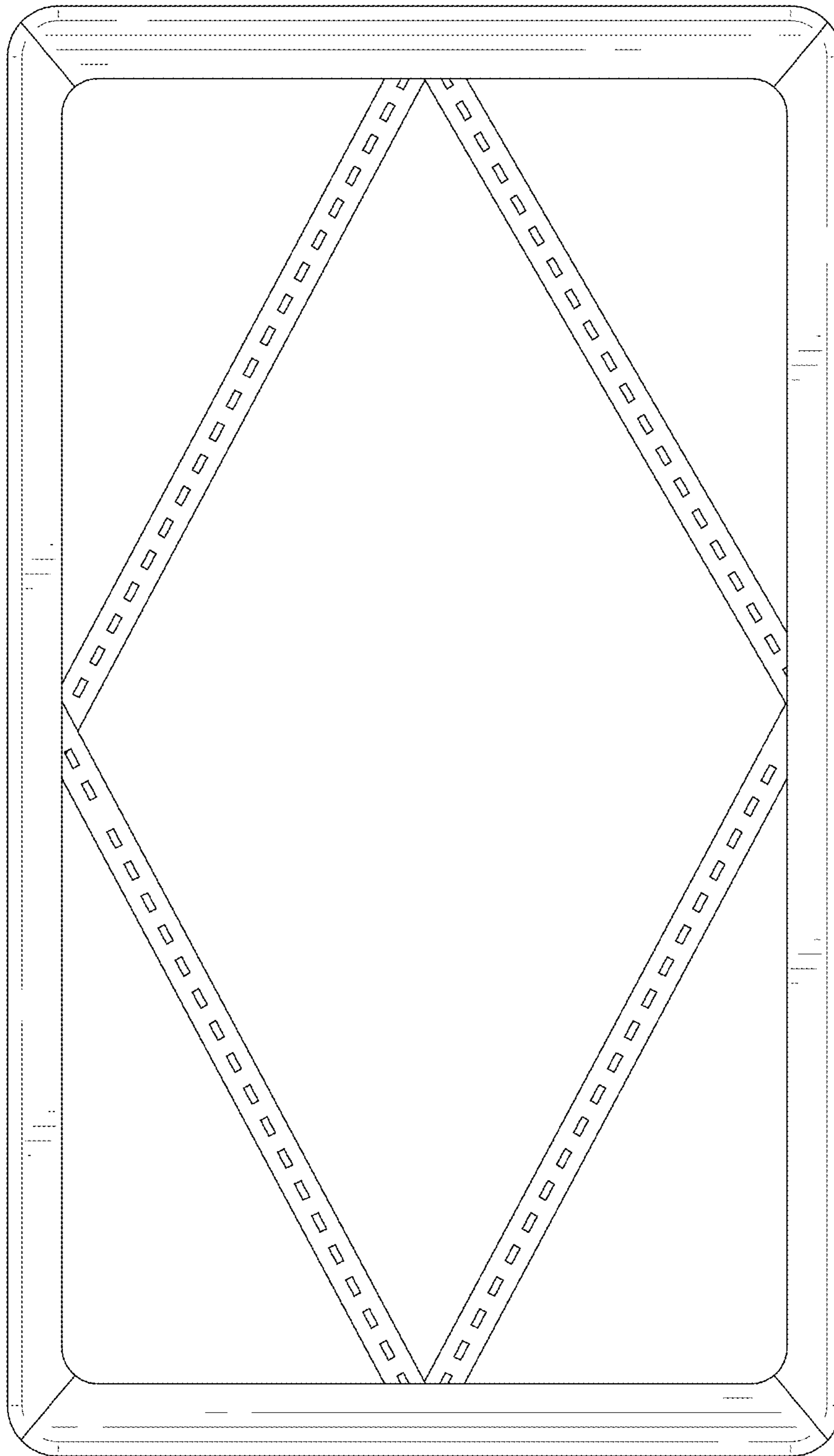


FIG. 4

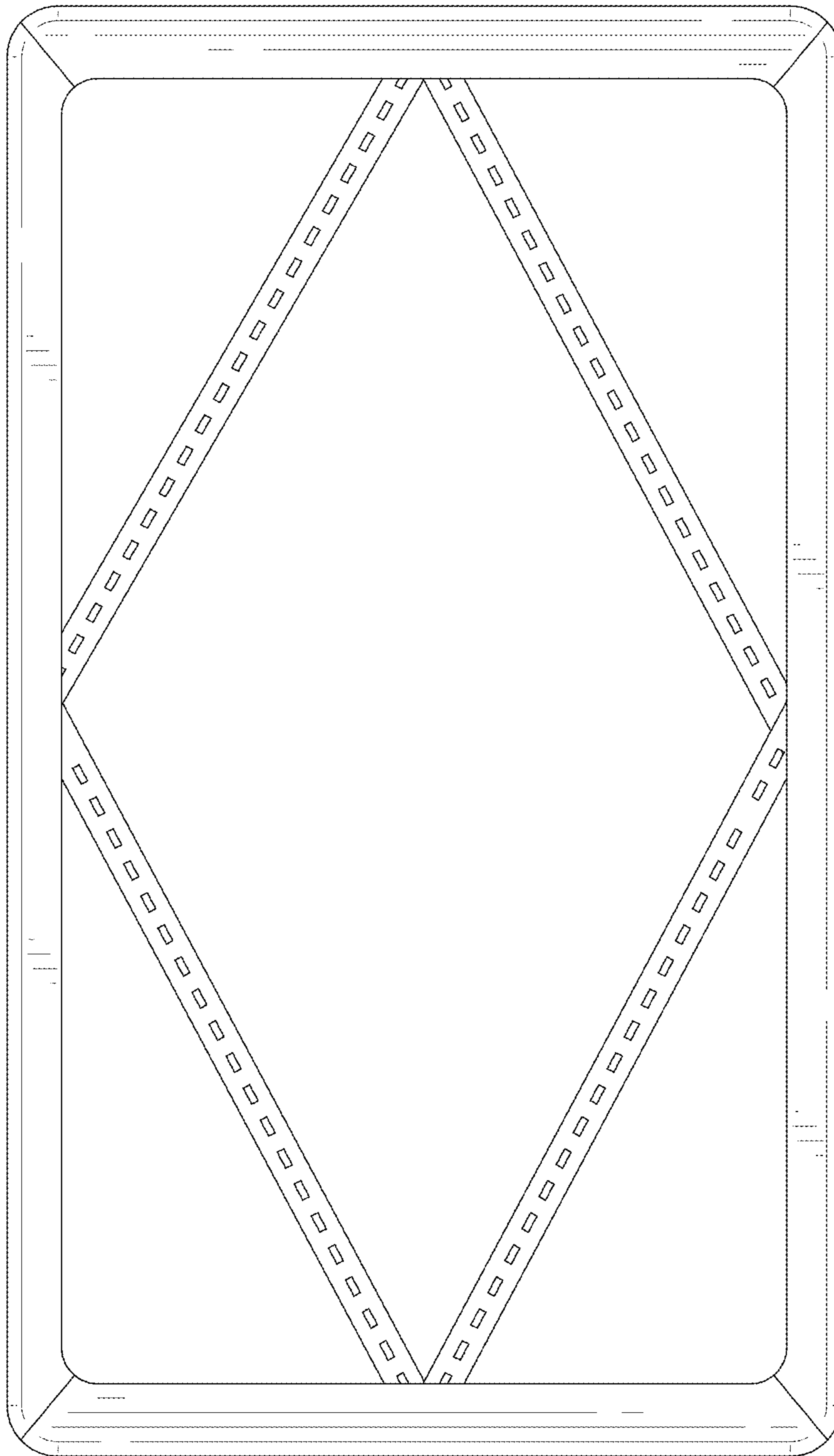


FIG. 5

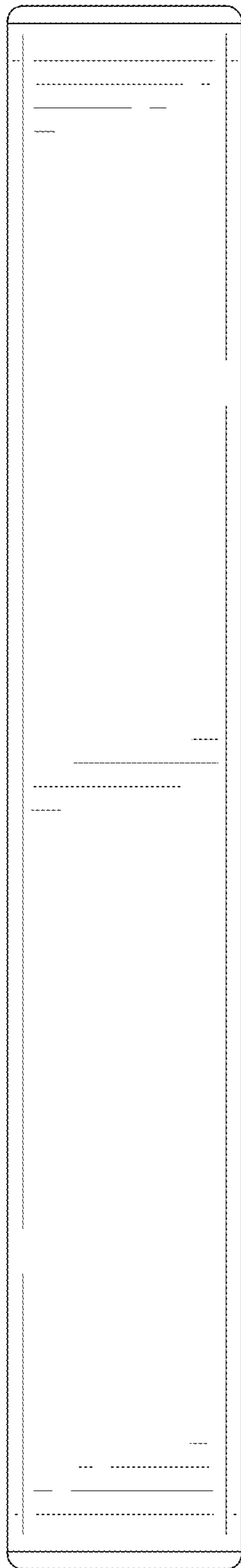


FIG. 6

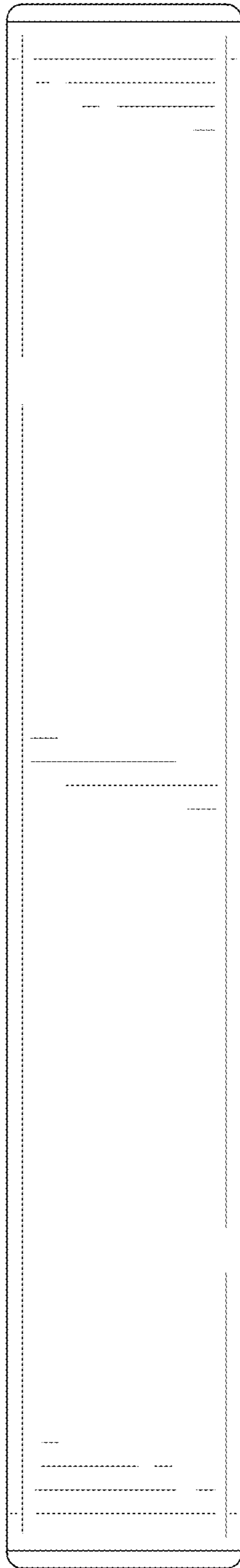


FIG. 7

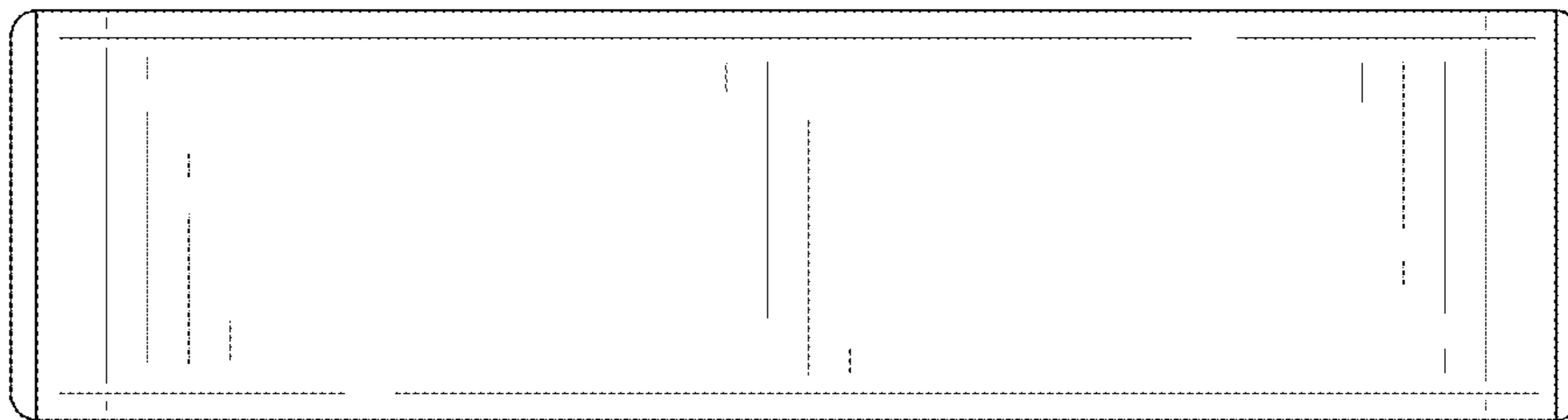


FIG. 8

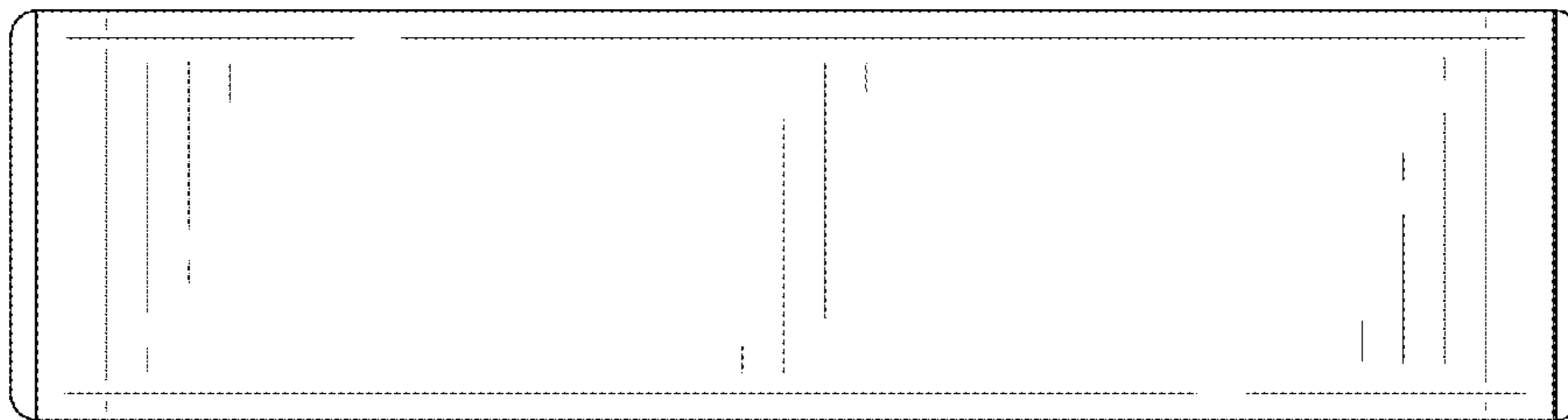


FIG. 9

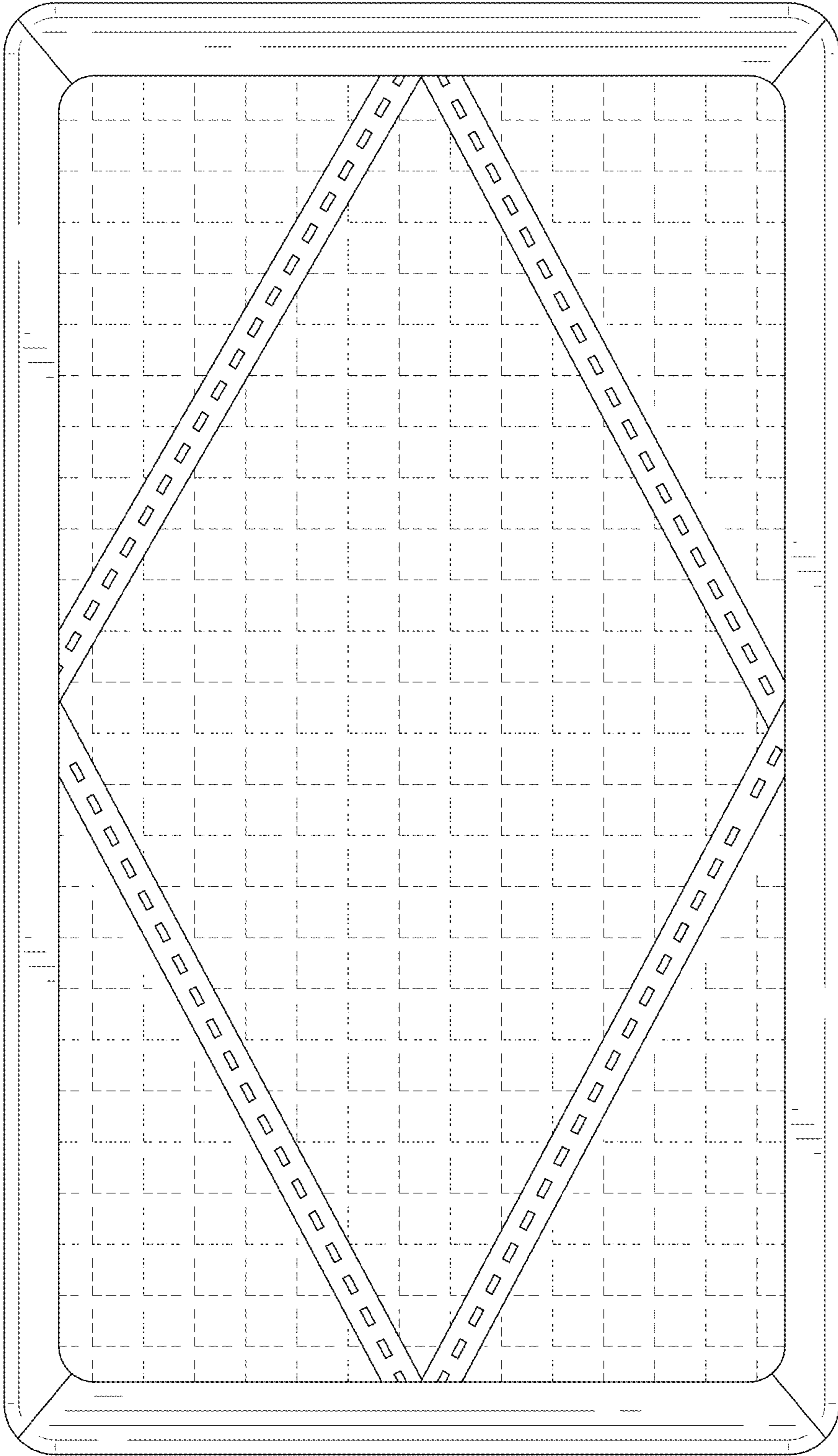


FIG. 10

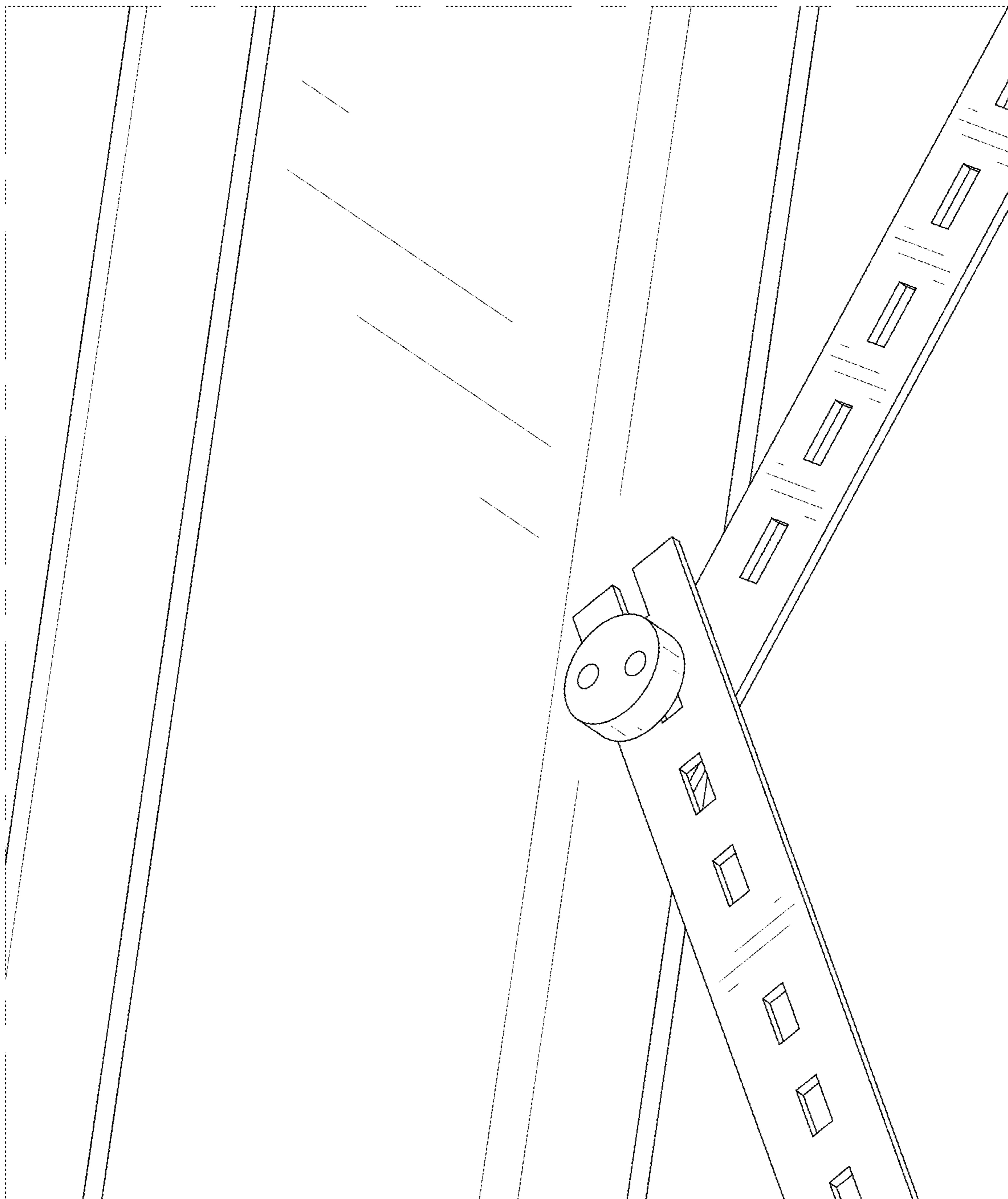


FIG. 11