



US00D897742S

(12) **United States Design Patent** (10) **Patent No.:** **US D897,742 S**  
**Williams et al.** (45) **Date of Patent:** **\*\* Oct. 6, 2020**

(54) **MATTRESS COVER**

(71) Applicant: **Tempur World, LLC**, Lexington, KY (US)

(72) Inventors: **Martha Williams**, Jamestown, NC (US); **Christina Pollock**, Greensboro, NC (US)

(73) Assignee: **Tempur World, LLC**, Lexington, KY (US)

(\*\*) Term: **15 Years**

(21) Appl. No.: **29/707,389**

(22) Filed: **Sep. 27, 2019**

**Related U.S. Application Data**

(62) Division of application No. 29/656,611, filed on Jul. 13, 2018, now Pat. No. Des. 866,223.

(51) **LOC (12) Cl.** ..... **06-99**

(52) **U.S. Cl.**  
USPC ..... **D6/606**

(58) **Field of Classification Search**

USPC ..... D6/333, 349, 355, 375, 388, 512, 563, D6/564, 595, 596, 601, 604, 611, 707, D6/715, 716, 716.1; D24/183-185, 234; D21/803, 804, 805, 809; 5/401, 420, 5/600, 630, 631, 632, 633, 635, 636, 638, 5/639, 646, 652, 652.1, 655, 703, 730; 297/1, 2, 4, 93, 180.11, 195.1, 195.11, 297/195.13, 393, 397, 452.12, 452.14, 297/452.15, 452.21, 452.24, 452.26, 297/452.48, 452.62, 482  
CPC ..... A47G 9/10; A47G 9/1009; A47G 9/1027; A47G 9/1045; A47G 9/1063; A47G 9/1072; A47G 9/1081

See application file for complete search history.

(56) **References Cited**

**U.S. PATENT DOCUMENTS**

D37,358 S \* 2/1905 Haslup ..... D5/59  
D63,092 S \* 10/1923 Vandergaw ..... D5/57

(Continued)

**FOREIGN PATENT DOCUMENTS**

EM 006017018-0002 \* 3/2019  
EM 006017521-0001 \* 3/2019  
EM 006017521-0002 \* 3/2019

**OTHER PUBLICATIONS**

Tempurpedic Adapt Med Mattress Expert Review, reviewed Apr. 30, 2018, [online], [site visited Jun. 18, 2019]. Available from YouTube, URL: [https://www.youtube.com/watch?v=X1eB\\_pvNQJw](https://www.youtube.com/watch?v=X1eB_pvNQJw) (Year: 2018).\*

*Primary Examiner* — Sanjeev Paul

(74) *Attorney, Agent, or Firm* — Middleton Reutlinger

(57) **CLAIM**

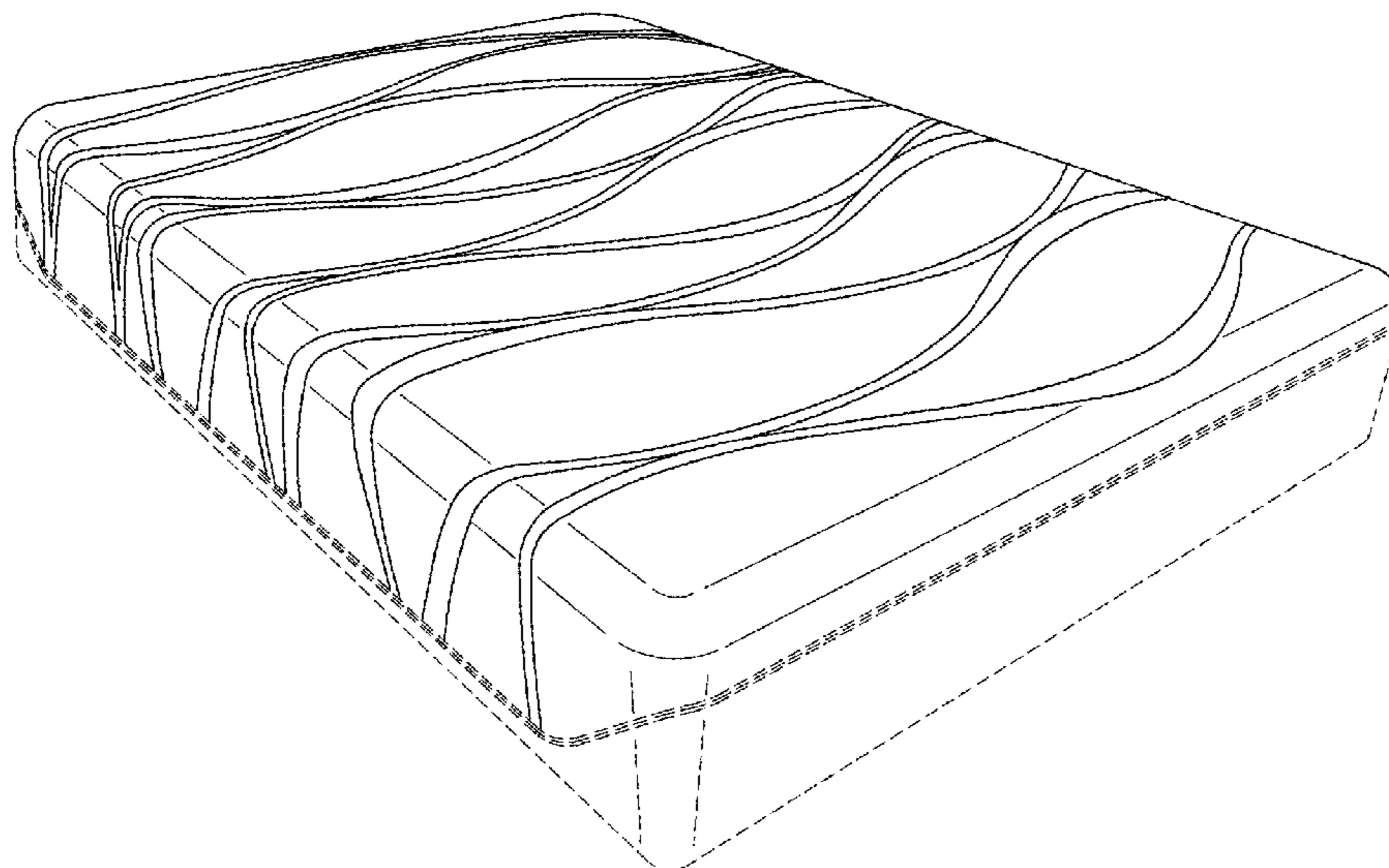
The ornamental design for a mattress cover, as shown and described.

**DESCRIPTION**

FIG. 1 is a perspective view of a mattress cover design; FIG. 2 is a front elevational view of the mattress cover design of FIG. 1; FIG. 3 is a rear elevational view of the mattress cover design of FIG. 1; FIG. 4 is a right side elevational view of the mattress cover design of FIG. 1; FIG. 5 is a left side elevational view of the mattress cover design of FIG. 1; FIG. 6 is a top view of the mattress cover design of FIG. 1; and, FIG. 7 is a bottom view of the mattress cover design of FIG. 1.

The broken lines shown in the drawings are included for the purpose of illustrating unclaimed portions of the mattress cover and form no part of the claimed design.

**1 Claim, 5 Drawing Sheets**



(56)

References Cited

U.S. PATENT DOCUMENTS

D89,649 S \* 4/1933 Megroz ..... D5/7  
 D113,261 S \* 2/1939 Fassler ..... D6/603  
 D182,349 S \* 3/1958 Alvord ..... D25/154  
 D413,731 S \* 9/1999 Hannington ..... D5/61  
 D419,781 S \* 2/2000 Pratt ..... D5/53  
 D441,540 S \* 5/2001 Enderby ..... D5/53  
 6,467,521 B1 \* 10/2002 Pratt ..... B29C 70/20  
 156/351  
 D525,437 S \* 7/2006 Leisch ..... D5/53  
 D562,567 S \* 2/2008 Proserpio ..... D5/56  
 D636,607 S \* 4/2011 Withers ..... A47J 36/02  
 D5/56  
 D650,994 S \* 12/2011 Sheehan ..... D5/56  
 D670,950 S \* 11/2012 Price ..... D6/605  
 D690,962 S \* 10/2013 Danileson ..... D6/605  
 8,721,073 B2 \* 5/2014 Bowers ..... G02C 7/046  
 351/159.31  
 D719,764 S \* 12/2014 Enders ..... D5/55  
 D720,158 S \* 12/2014 Harmening ..... D5/56  
 D724,864 S \* 3/2015 Harmening ..... D5/56  
 D724,865 S \* 3/2015 Jensen ..... D5/56  
 D726,452 S \* 4/2015 Jensen ..... D5/55  
 D728,276 S \* 5/2015 Jensen ..... D5/56  
 D742,660 S \* 11/2015 Oberwelz ..... D6/606  
 D746,082 S \* 12/2015 Harmening ..... D6/605  
 D746,084 S \* 12/2015 Jensen ..... D6/606  
 D753,934 S \* 4/2016 Daeseleire ..... D6/605  
 D762,079 S \* 7/2016 Oberwelz ..... D6/606  
 D784,733 S \* 4/2017 Bell ..... D6/605

D785,972 S \* 5/2017 Oberwelz ..... D6/602  
 D802,964 S \* 11/2017 Alletto, Jr. .... D6/605  
 D804,221 S \* 12/2017 Alletto, Jr. .... D6/605  
 D804,854 S \* 12/2017 Bunnell ..... D6/606  
 D804,856 S \* 12/2017 Desodt ..... D6/606  
 D804,857 S \* 12/2017 Desodt ..... D6/606  
 D804,858 S \* 12/2017 Desodt ..... D6/606  
 D804,859 S \* 12/2017 Desodt ..... D6/606  
 D805,327 S \* 12/2017 Desodt ..... D6/606  
 D805,328 S \* 12/2017 Desodt ..... D6/606  
 D811,127 S \* 2/2018 Bell ..... D6/605  
 D811,128 S \* 2/2018 Bell ..... D6/605  
 D820,006 S \* 6/2018 Desodt ..... D6/606  
 D820,618 S \* 6/2018 Desodt ..... D6/606  
 D833,178 S \* 11/2018 Desodt ..... D6/606  
 D833,179 S \* 11/2018 Desodt ..... D6/606  
 D833,180 S \* 11/2018 Desodt ..... D6/606  
 D862,122 S \* 10/2019 Morrison ..... D6/605  
 D862,123 S \* 10/2019 Morrison ..... D6/605  
 D862,934 S \* 10/2019 Pfister ..... D6/605  
 D864,613 S \* 10/2019 Pearce ..... D6/605  
 D864,614 S \* 10/2019 Morrison ..... D6/605  
 D864,615 S \* 10/2019 Morrison ..... D6/605  
 D864,616 S \* 10/2019 Pfister ..... D6/605  
 D864,617 S \* 10/2019 Pfister ..... D6/605  
 D864,618 S \* 10/2019 Pfister ..... D6/605  
 D865,399 S \* 11/2019 Pfister ..... D6/605  
 D865,400 S \* 11/2019 Williams ..... D6/605  
 D865,401 S \* 11/2019 Pfister ..... D6/605  
 D865,402 S \* 11/2019 Morrison ..... D6/605  
 D865,403 S \* 11/2019 Morrison ..... D6/605

\* cited by examiner

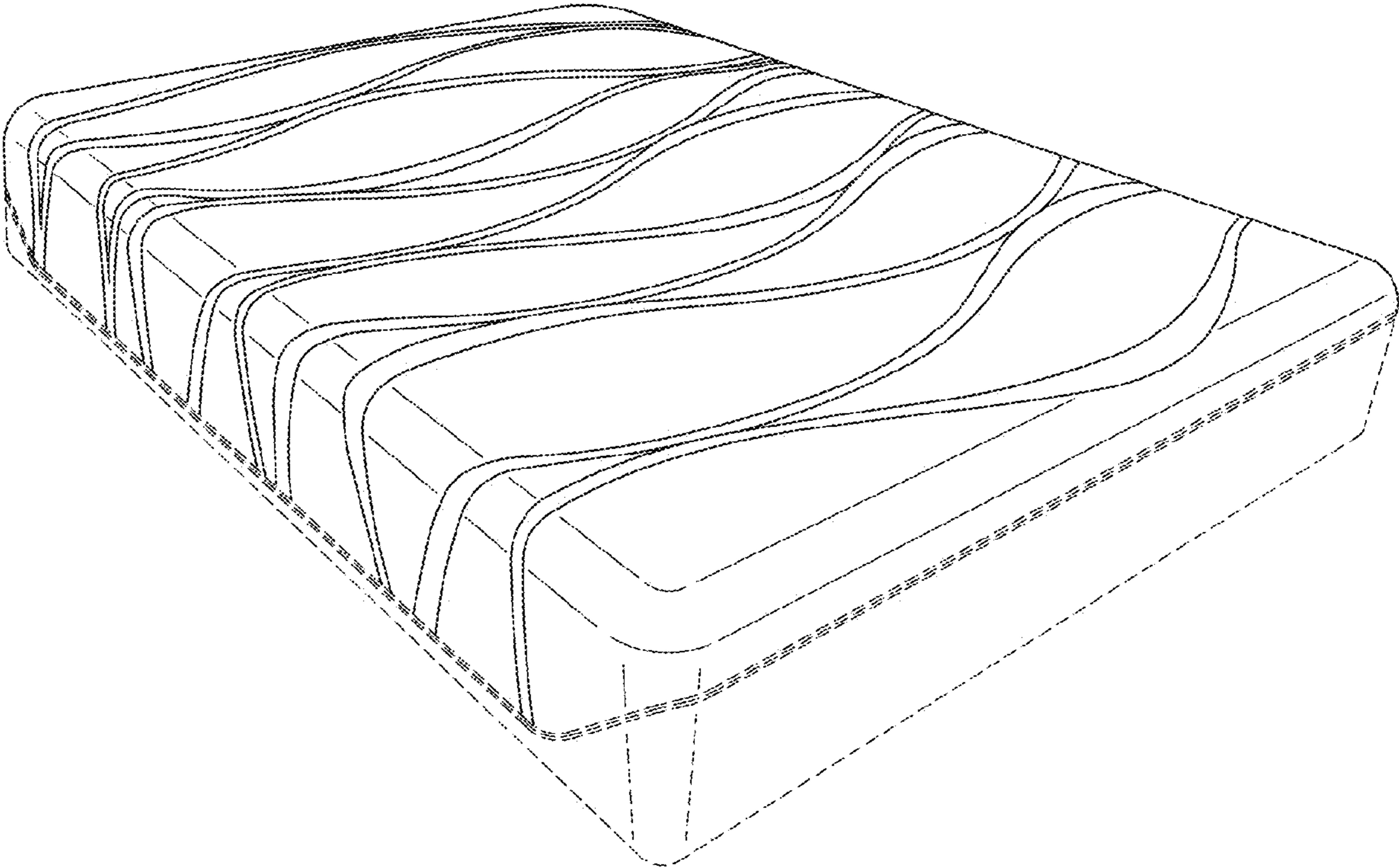


FIG. 1

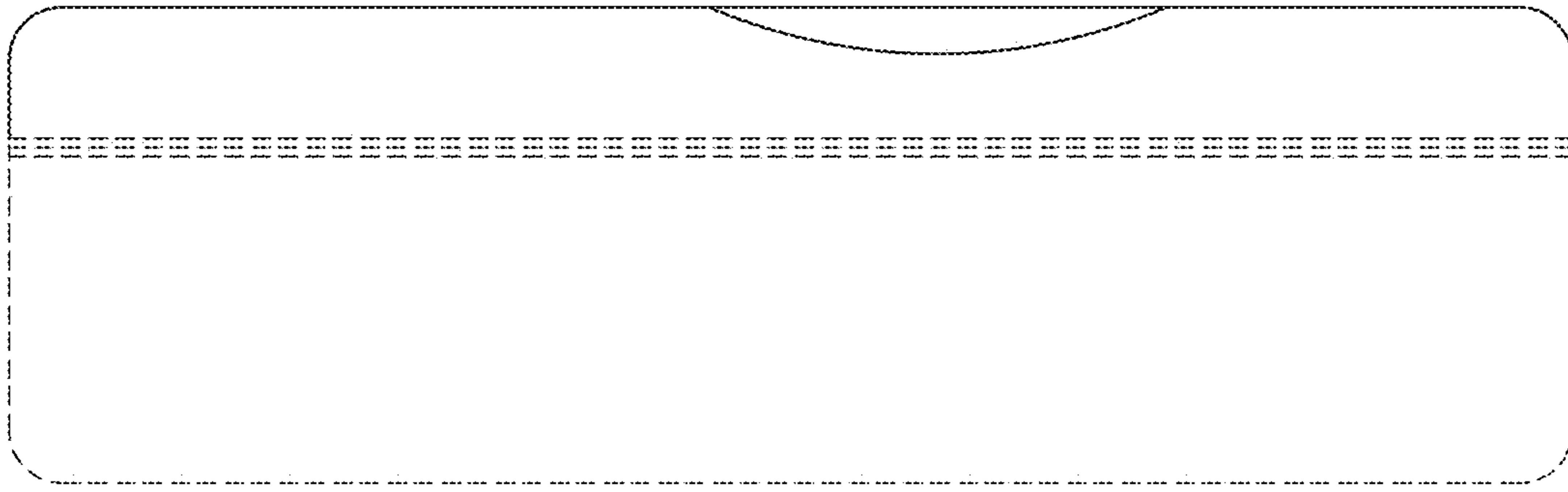


FIG. 2

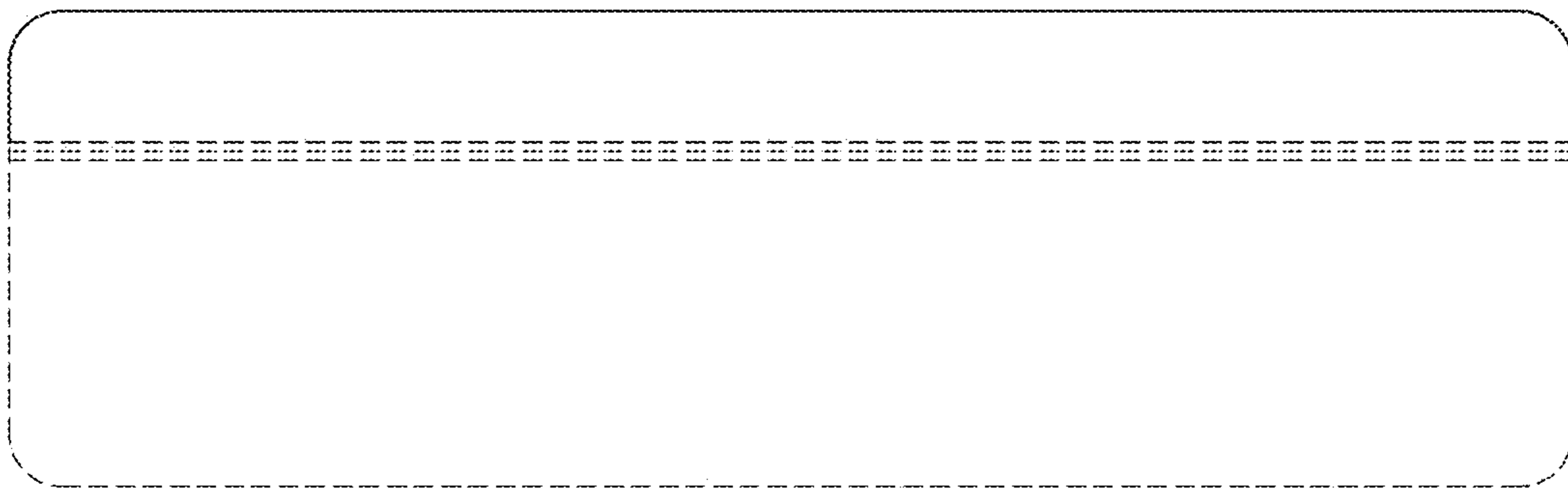


FIG. 3



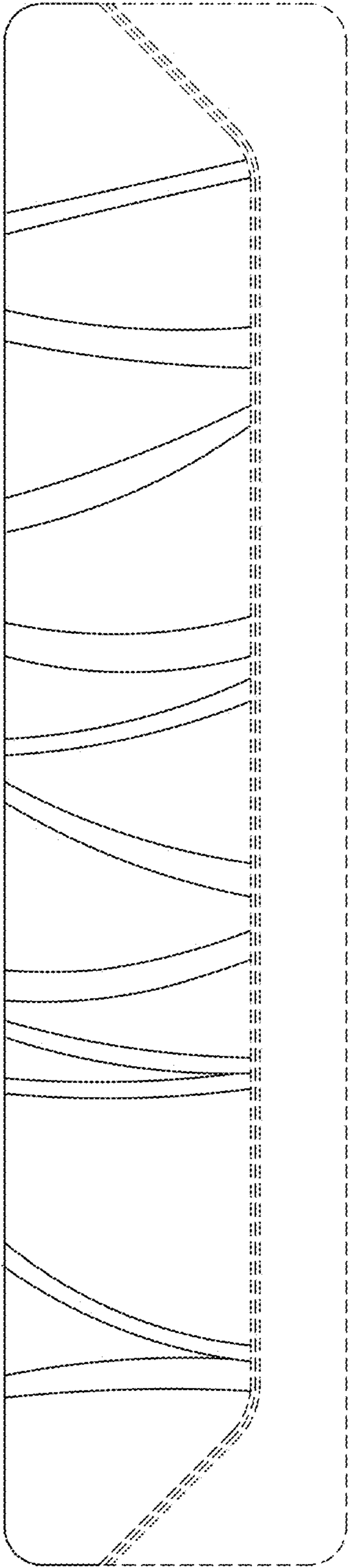


FIG. 4

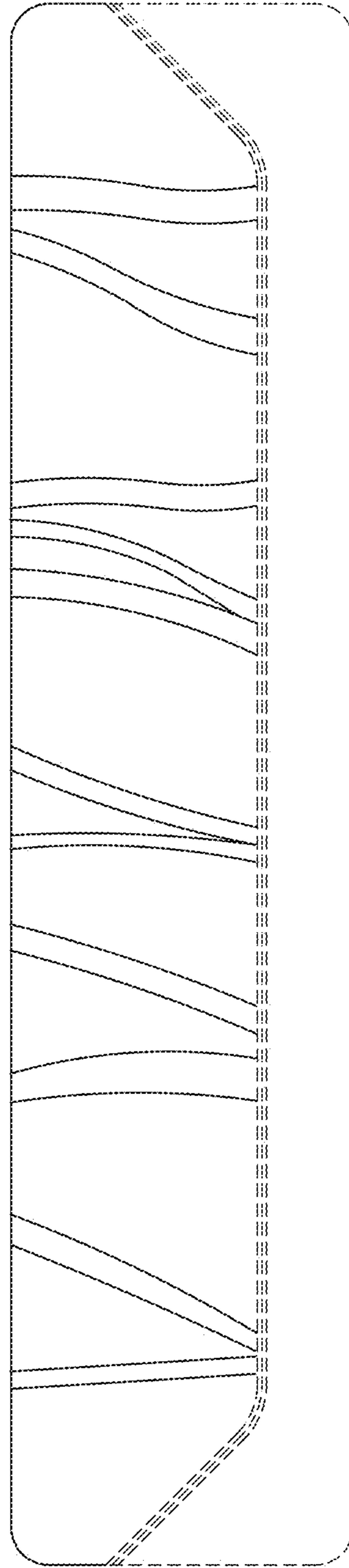


FIG. 5

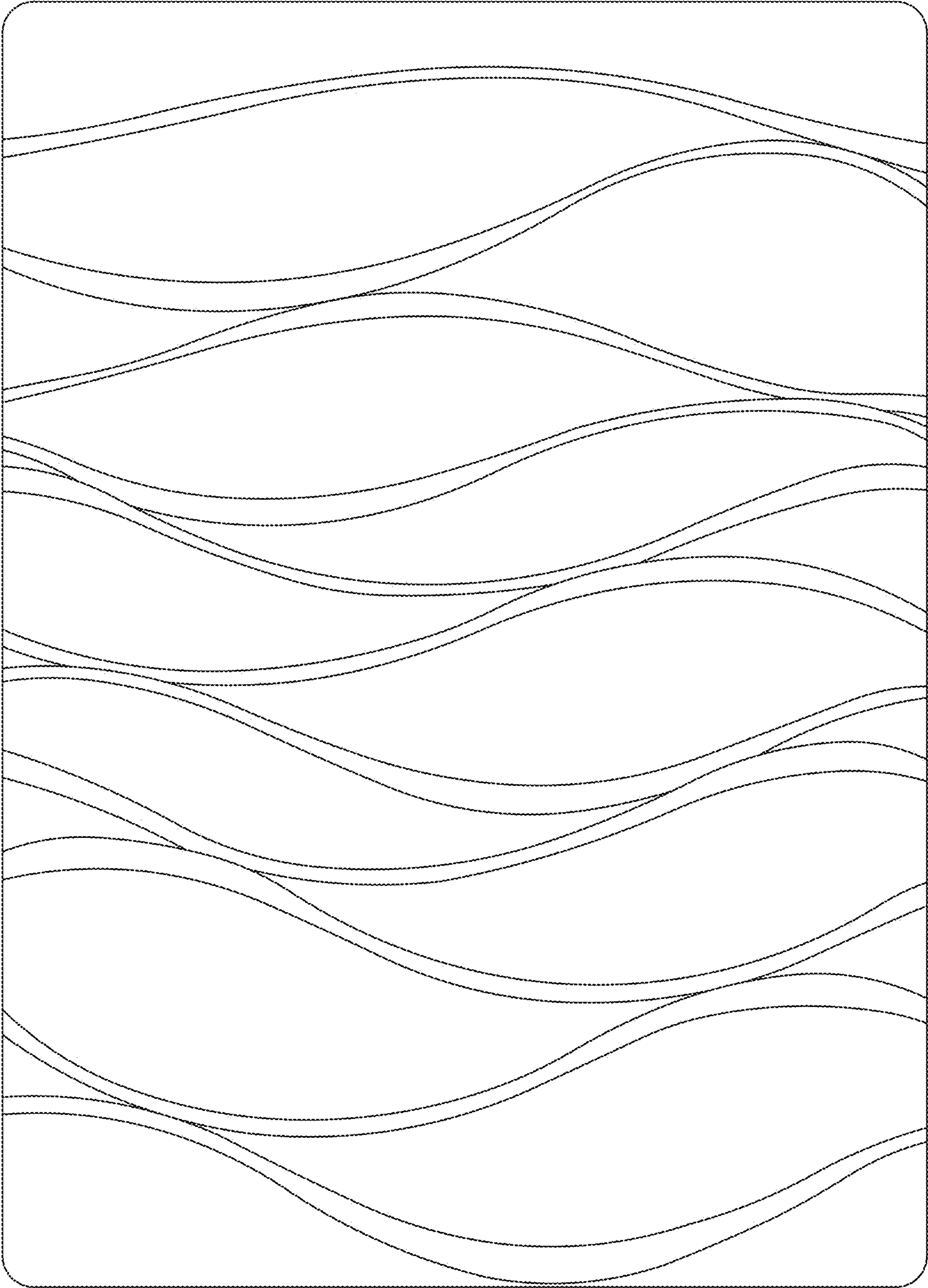


FIG. 6



FIG. 7