



US00D897736S

(12) **United States Design Patent** (10) **Patent No.:** **US D897,736 S**  
**Costlow** (45) **Date of Patent:** **\*\* Oct. 6, 2020**

(54) **PILLOW** 5,226,188 A \* 7/1993 Liou ..... A47C 7/742  
297/452.46

(71) Applicant: **David L. Costlow**, Readington, NJ (US) D364,986 S 12/1995 Launder et al.  
5,537,703 A \* 7/1996 Launder ..... A47G 9/109  
5/636

(72) Inventor: **David L. Costlow**, Readington, NJ (US) D388,649 S \* 1/1998 Chekuri ..... D6/596  
D404,237 S 1/1999 Boyd  
5,884,351 A \* 3/1999 Tonino ..... A47C 27/144  
5/652.1

(\*\*) Term: **15 Years** D445,505 S 7/2001 Shapiro  
D456,516 S 4/2002 Cheshaek et al.  
6,668,404 B2 \* 12/2003 Lanteri ..... A47G 9/10  
5/636

(21) Appl. No.: **29/711,673** 6,842,924 B1 1/2005 Walters  
D507,142 S \* 7/2005 Akamatsu ..... D6/601  
D517,759 S 3/2006 Dretzka  
D517,849 S \* 3/2006 Akamatsu ..... D6/601

(22) Filed: **Nov. 1, 2019**

(51) **LOC (12) Cl.** ..... **06-09**

(52) **U.S. Cl.**  
USPC ..... **D6/601**

(58) **Field of Classification Search**  
USPC ..... D6/333, 349, 355, 375, 388, 512, 563,  
D6/564, 595, 596, 601, 604, 611, 707,  
D6/715, 716, 716.1; D24/183-185, 234;  
D21/803, 804, 805, 809  
CPC ..... A47G 9/10; A47G 9/1009; A47G 9/1027;  
A47G 9/1045; A47G 9/1063; A47G  
9/1072; A47G 9/1081  
See application file for complete search history.

(Continued)

*Primary Examiner* — Jennifer L Rempfer  
(74) *Attorney, Agent, or Firm* — Dunlap Bennett & Ludwig PLLC

(57) **CLAIM**  
The ornamental design for a pillow, as shown and described.

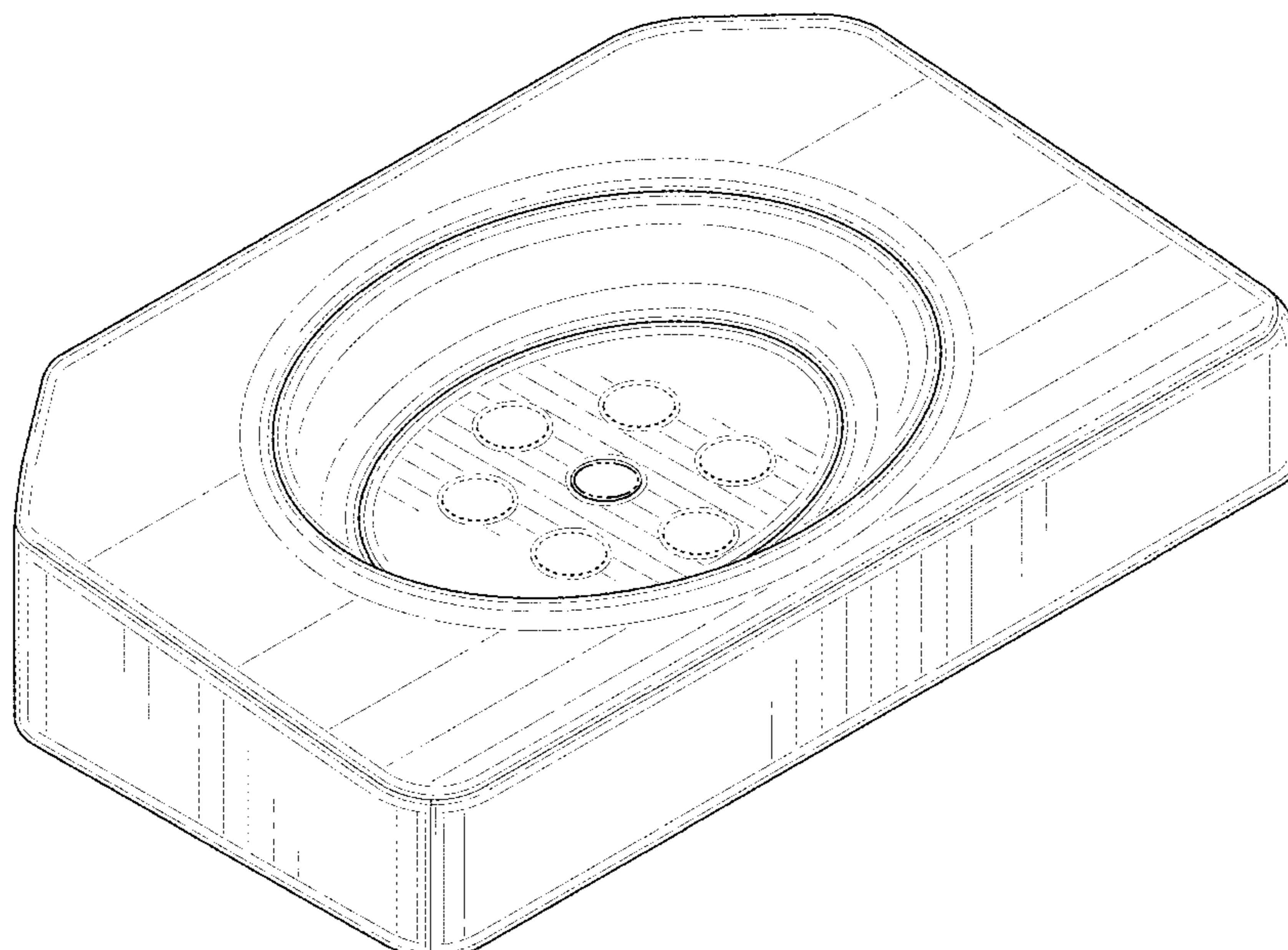
**DESCRIPTION**

FIG. 1 is a perspective view of a pillow, showing my new design;  
FIG. 2 is a front elevation view thereof;  
FIG. 3 is a rear elevation view thereof;  
FIG. 4 is a left-side elevation view thereof;  
FIG. 5 is a right-side elevation view thereof;  
FIG. 6 is a top plan view thereof; and,  
FIG. 7 is a bottom plan view thereof.  
The evenly-sized broken lines shown in the drawings depict portions of the pillow that form no part of the claimed design, while the unevenly-sized dash-dot-dot-dash broken line shown at the center of the pillow defines the bounds of the claimed design and forms no part thereof.

**1 Claim, 5 Drawing Sheets**

(56) **References Cited**  
U.S. PATENT DOCUMENTS

2,940,088 A	6/1960	Boos
3,124,812 A	3/1964	Milton et al.
3,276,046 A	10/1966	Capelli
3,400,413 A	9/1968	Grossa
3,602,928 A	9/1971	Helzer
3,829,917 A	8/1974	De Laittre et al.
D298,198 S	10/1988	O'Sullivan
4,780,921 A	11/1988	Lahn et al.
4,788,728 A	12/1988	Lake
4,908,893 A	3/1990	Smit
D308,311 S	6/1990	Forsland
D318,923 S	8/1991	Marsh



(56)

**References Cited**

## U.S. PATENT DOCUMENTS

D575,974	S	*	9/2008	Akamatsu .....	D6/601
D592,753	S		5/2009	Jacinto	
D603,643	S	*	11/2009	Keefe .....	D6/601
D618,029	S	*	6/2010	Keefe .....	D6/601
D618,947	S	*	7/2010	Kalatsky .....	D6/601
D655,559	S	*	3/2012	Cheng .....	D6/601
D699,483	S	*	2/2014	Berg .....	D6/601
8,938,830	B2		1/2015	Papemo	
9,009,897	B2		4/2015	Davis et al.	
D756,687	S	*	5/2016	Durkin .....	D6/601
D758,762	S	*	6/2016	Blauweiss .....	D6/601
9,414,698	B2		8/2016	Sheeler-Johnson	
9,433,309	B2		9/2016	Cheng et al.	
D794,356	S	*	8/2017	McWilliams .....	D6/601
D815,860	S	*	4/2018	Krishtul .....	D6/601
D828,054	S	*	9/2018	Chen .....	D6/601
D828,922	S		9/2018	Hansen	
D839,026	S	*	1/2019	Huang .....	D6/601
D859,886	S		9/2019	Baeseman	
D869,660	S	*	12/2019	Samaan .....	D24/184
2004/0172760	A1		9/2004	Frisbee	
2008/0041395	A1		2/2008	Tytel et al.	
2012/0278992	A1		11/2012	Ou	

\* cited by examiner

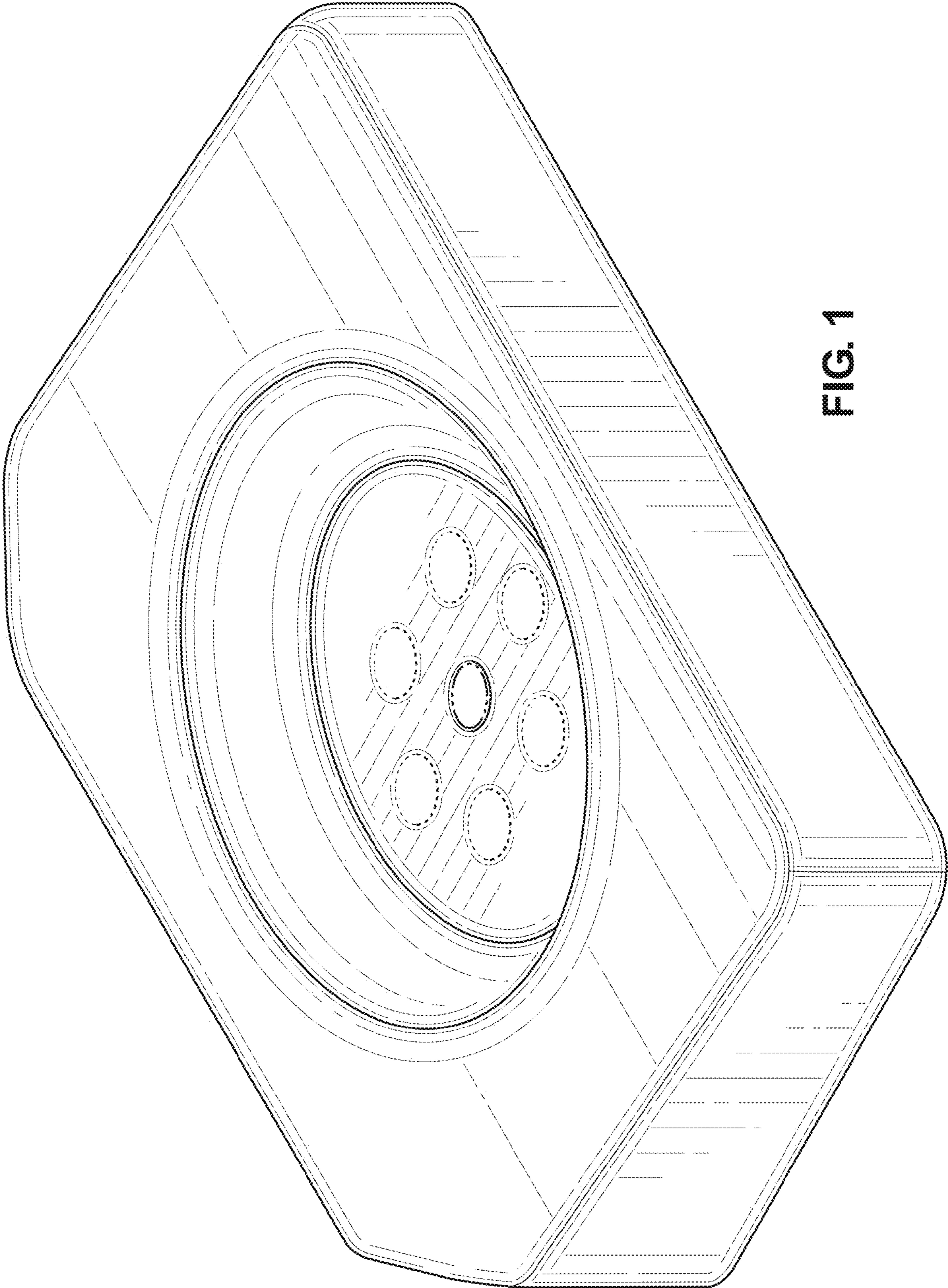


FIG. 1

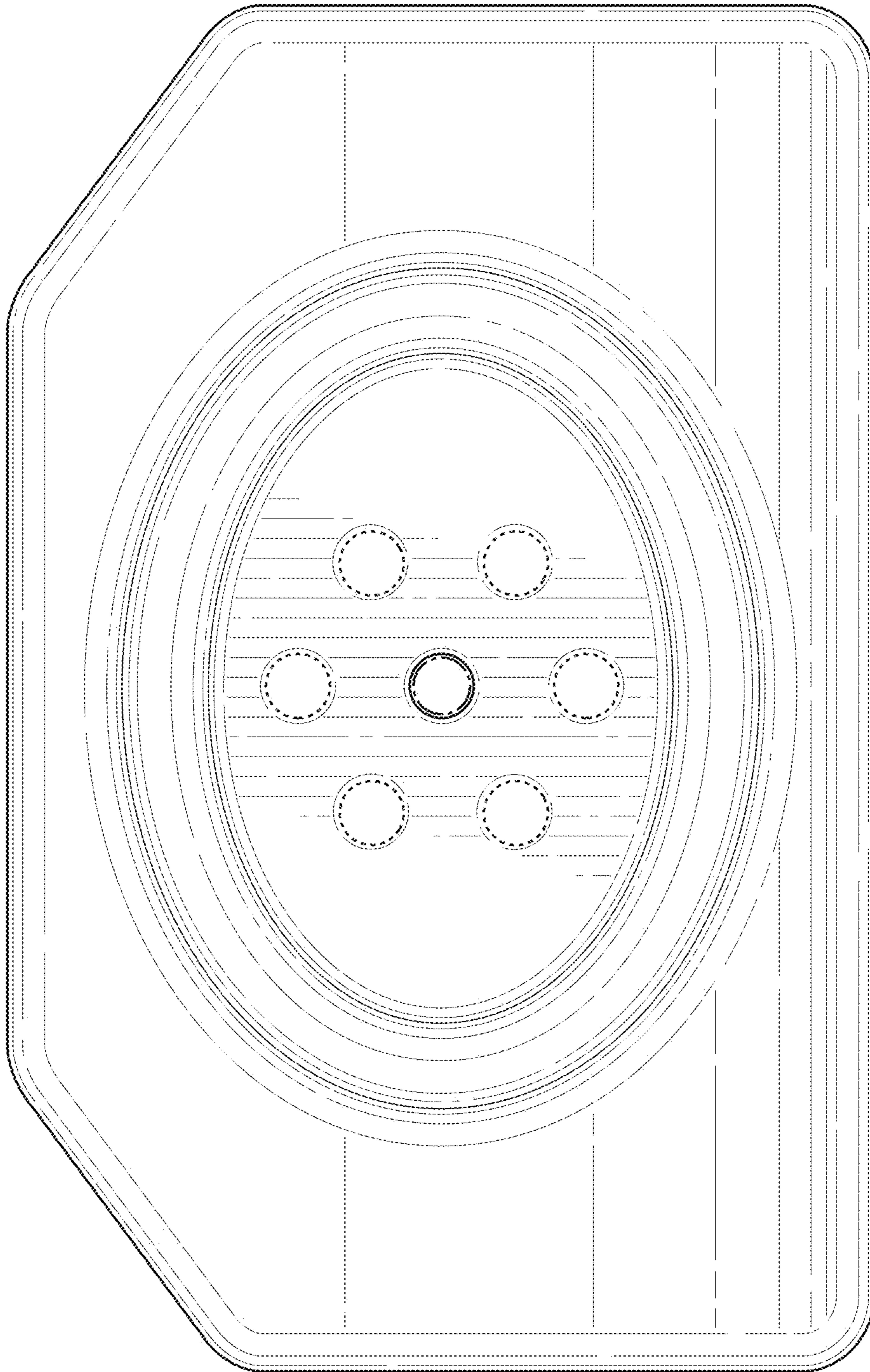


FIG. 2

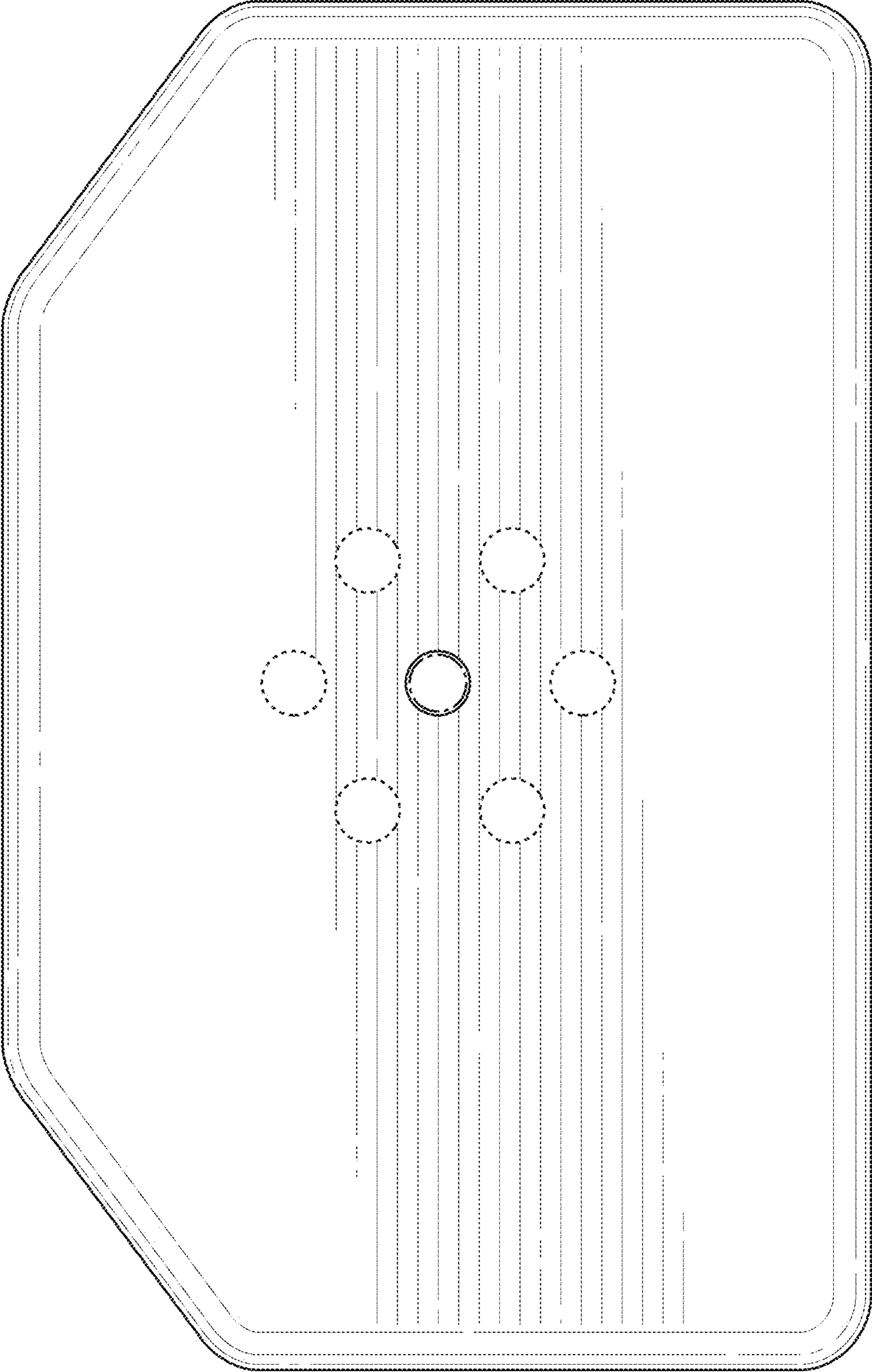


FIG. 3

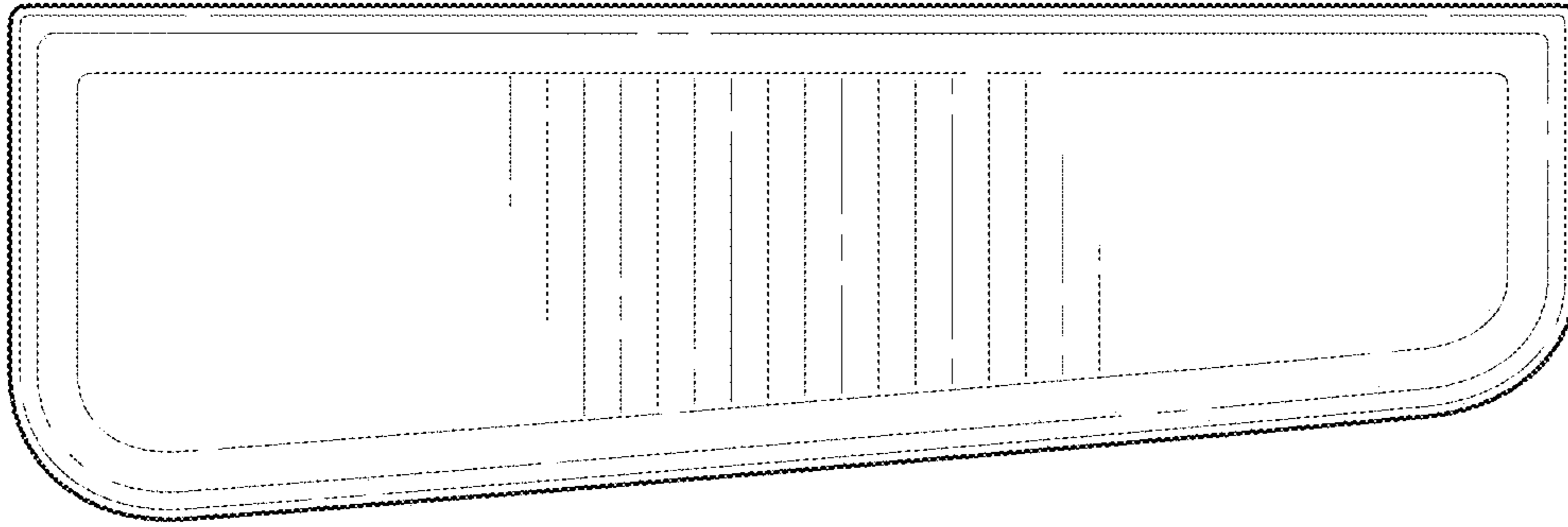


FIG. 5

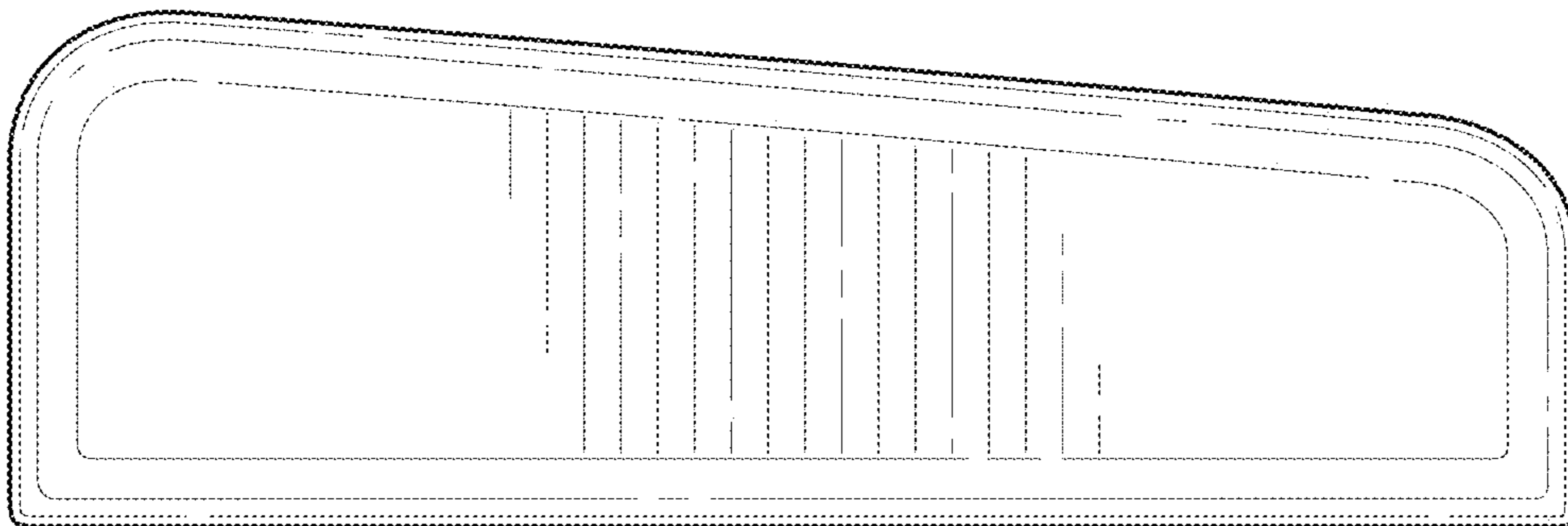


FIG. 4

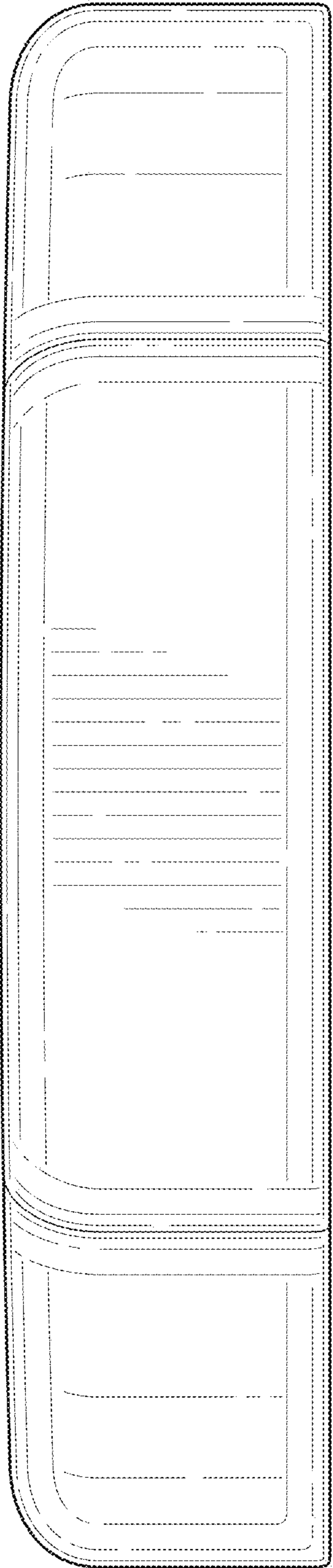


FIG. 6

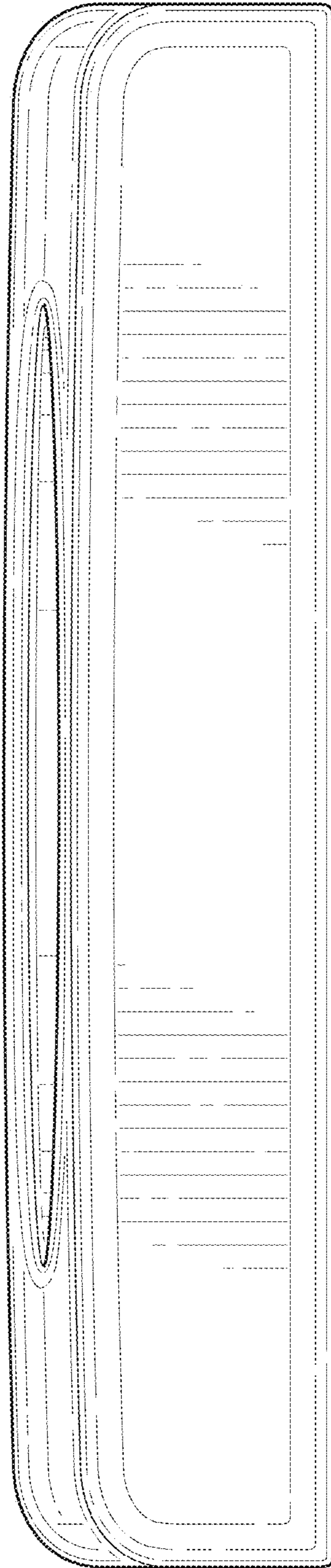


FIG. 7