



US00D897734S

(12) **United States Design Patent** (10) **Patent No.:** **US D897,734 S**
Moffett (45) **Date of Patent:** **** Oct. 6, 2020**

(54) **SITTING CUSHION HAVING A CUTOUT PORTION**

(71) Applicant: **Linda Moffett**, Spearfish, SD (US)

(72) Inventor: **Linda Moffett**, Spearfish, SD (US)

(**) Term: **15 Years**

(21) Appl. No.: **29/702,201**

(22) Filed: **Aug. 16, 2019**

Related U.S. Application Data

(62) Division of application No. 29/594,433, filed on Feb. 17, 2017, now Pat. No. Des. 856,706.

(51) **LOC (12) Cl.** **06-09**

(52) **U.S. Cl.**
USPC **D6/601**

(58) **Field of Classification Search**

USPC D6/333, 349, 355, 375, 388, 512, 563, D6/564, 595, 596, 601, 604, 611, 707, D6/715, 716, 716.1; D24/183-185, 234; D21/803, 804, 805, 809; 5/401, 420, 5/600, 630, 631, 632, 633, 635, 636, 638, 5/639, 646, 652, 652.1, 655, 703, 730; 297/401, 420, 600, 630, 631, 632, 633, 297/635, 636, 638, 639, 646, 652, 652.1, 297/655, 703, 730

CPC A47G 9/10; A47G 9/1009; A47G 9/1027; A47G 9/1045; A47G 9/1063; A47G 9/1072; A47G 9/00; A47G 9/02; A47G 9/0207; A47G 9/0215; A47G 9/0223; A47G 9/023; A47G 9/0238; A47G 9/0246; A47G 9/0253; A47G 9/0261; A47G 2009/001; A47G 2009/002; A47G 2009/003; A47G 2009/005; A47G 2009/006; A47G 9/06; A47G 9/062; A47G 9/066; A47G 9/068;

(Continued)

(56) **References Cited**

U.S. PATENT DOCUMENTS

2,295,906 A * 9/1942 Lacour A47G 9/10
5/636
2,835,905 A * 5/1958 Tomasson A47G 9/10
5/632

(Continued)

FOREIGN PATENT DOCUMENTS

CN 304252009 * 8/2017
GB 6021243 * 10/2017

OTHER PUBLICATIONS

As Seen on TV Miracle Rayojn from Bamboo Cushion Pillow Gray: Target, <https://www.target.com/p/as-see-on-tv-miracle-rayon-from-bamboo-cushion-pillow-gray>, printed on Dec. 18, 2018, 5 pages
Black/White Photos: Cushion Images from Mar. 2016, 4 pages.

Primary Examiner — Sanjeev Paul

(74) *Attorney, Agent, or Firm* — Harness, Dickey & Pierce, P.L.C.

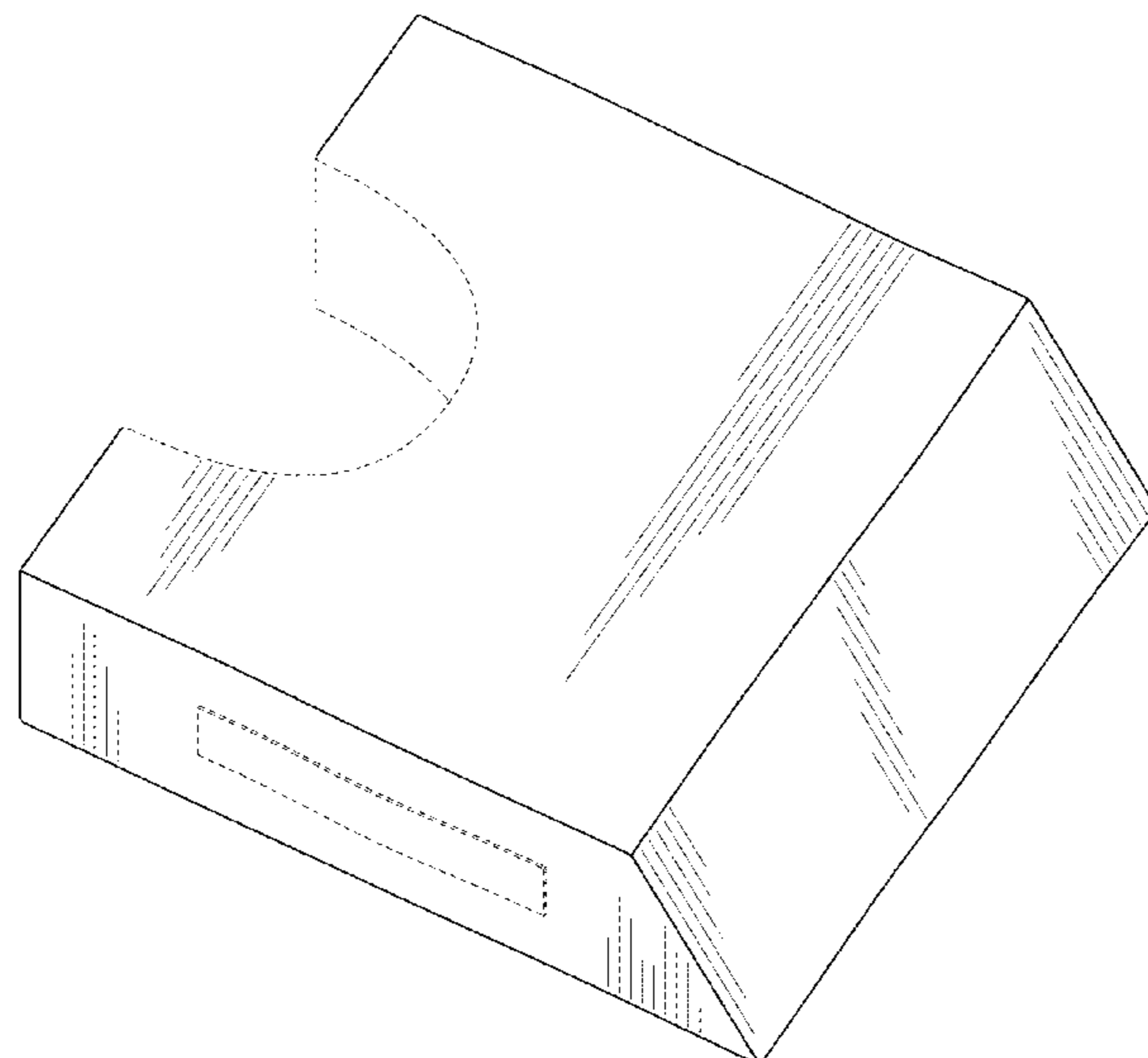
(57) **CLAIM**

The ornamental design for a sitting cushion having a cutout portion, as shown and described.

DESCRIPTION

FIG. 1 is an isometric view of a sitting cushion having a cutout portion in accordance with my new design; FIG. 2 is a front elevation view thereof; FIG. 3 is a rear elevation view thereof; FIG. 4 is a right side view thereof; FIG. 5 is a left side view thereof; FIG. 6 is a top plan view thereof; and, FIG. 7 is a bottom plan view thereof. The broken lines shown in the drawings are included for the purpose of illustrating unclaimed portions of the article and form no part of the claimed design.

1 Claim, 5 Drawing Sheets



(58) **Field of Classification Search**
 CPC A47G 9/08; A47G 9/0284; A47G 9/0292;
 A47G 9/04
 See application file for complete search history.

(56) **References Cited**

U.S. PATENT DOCUMENTS

3,009,172 A * 11/1961 Eidam A47G 9/10
 5/632
 3,757,364 A * 9/1973 Downing A47G 9/10
 5/636
 4,473,913 A * 10/1984 Ylvisaker A47C 20/021
 5/632
 D311,109 S * 10/1990 Geschwender D6/601
 D334,159 S * 3/1993 Mulligan 5/653
 D386,571 S * 11/1997 Wilhelm D23/309
 D395,568 S * 6/1998 Davis D6/601
 D396,980 S * 8/1998 Novros D6/601
 D398,678 S * 9/1998 Terry D23/309
 D416,745 S * 11/1999 Noyes D6/601
 D441,587 S * 5/2001 Cameron D6/601

D452,404 S * 12/2001 Cameron D6/601
 D588,905 S * 3/2009 Meeks D8/400
 D599,151 S * 9/2009 Wilson D6/601
 D628,845 S * 12/2010 Guner D6/601
 D637,439 S * 5/2011 Mettler D6/601
 D637,440 S * 5/2011 Mettler D6/601
 D645,693 S * 9/2011 Rothbard D6/601
 D673,410 S * 1/2013 O'Connell D6/601
 D677,507 S * 3/2013 Rocha D6/601
 D686,849 S * 7/2013 Sack D6/601
 D689,757 S * 9/2013 Mukaide D8/343
 D732,313 S * 6/2015 Fux D6/601
 D754,354 S * 4/2016 Revere D24/183
 D754,990 S * 5/2016 Velasquez D6/601
 D755,543 S * 5/2016 Upadhyay D6/601
 D764,189 S * 8/2016 Edwards D6/349
 D794,535 S * 8/2017 Chen D12/215
 D839,636 S * 2/2019 Yu D6/601
 D845,033 S * 4/2019 Berg D6/601
 D856,706 S * 8/2019 Moffett
 D862,115 S * 10/2019 Kelber D6/601
 2009/0007336 A1 * 1/2009 Kassai A47D 15/008
 5/655

* cited by examiner

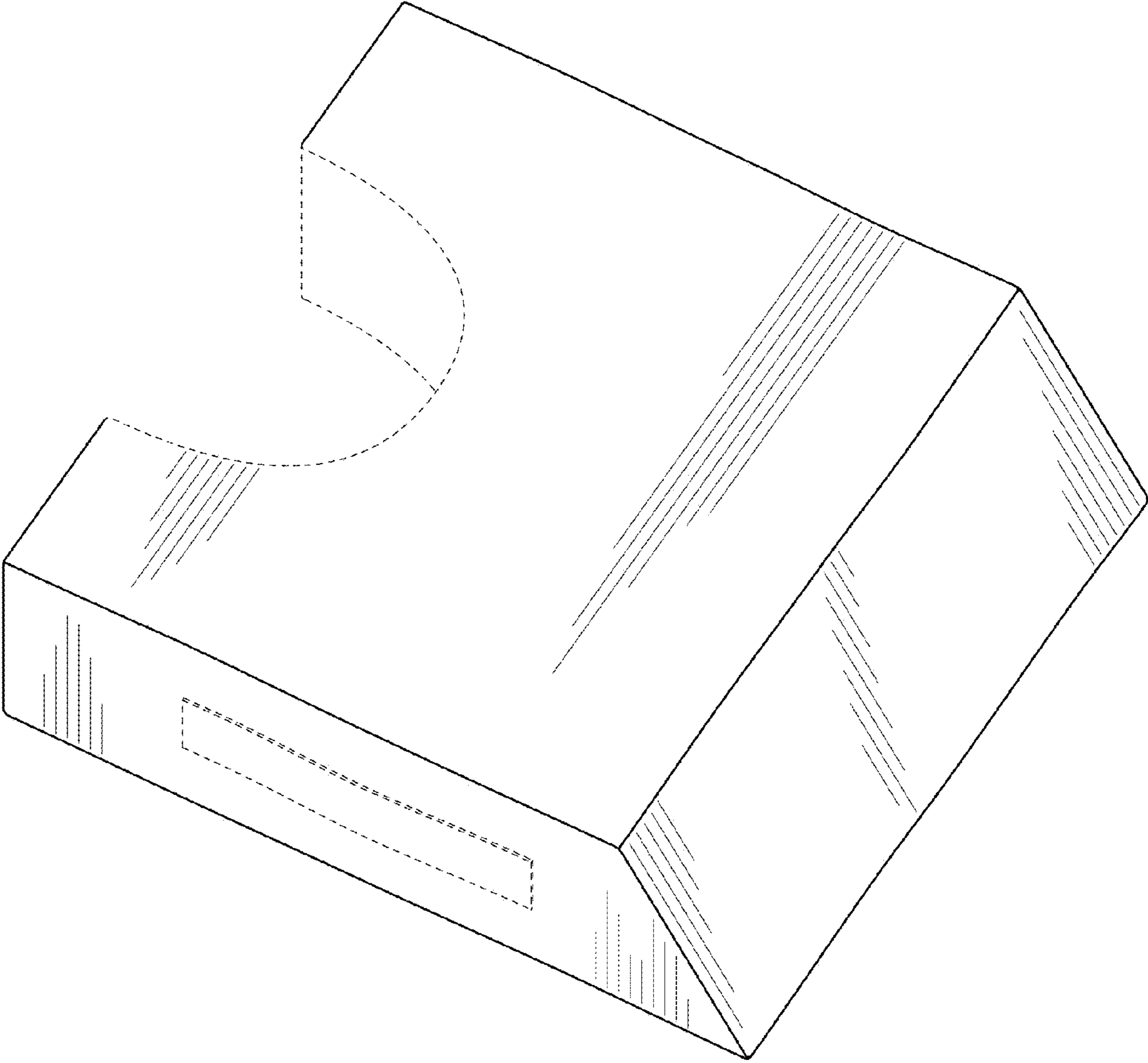


FIG. 1

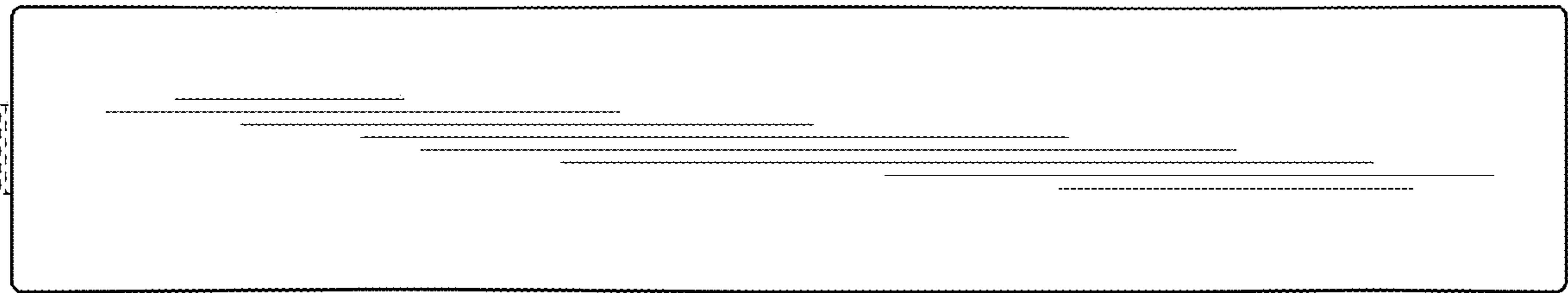


FIG. 2

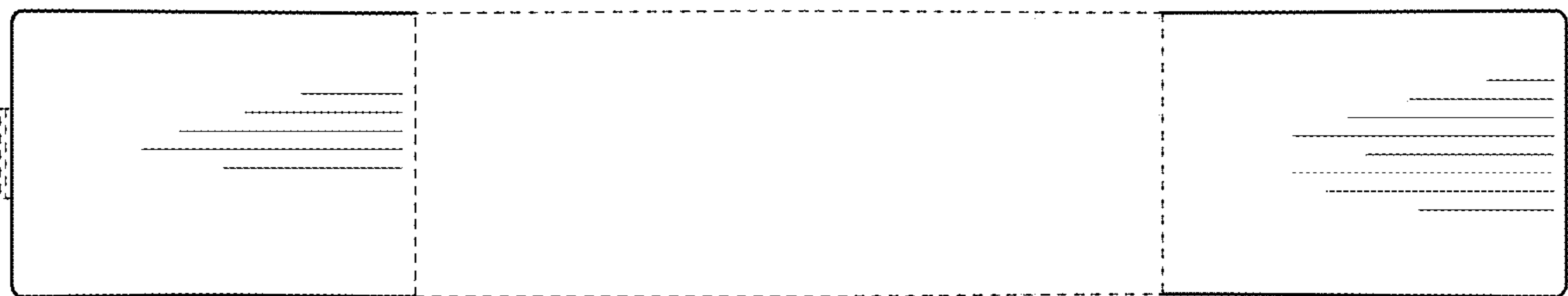


FIG. 3

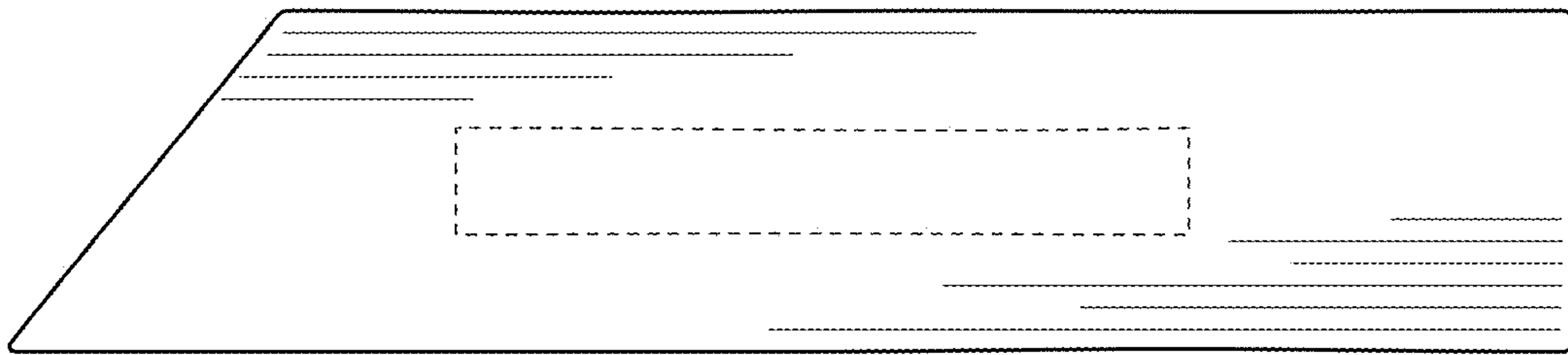


FIG. 4

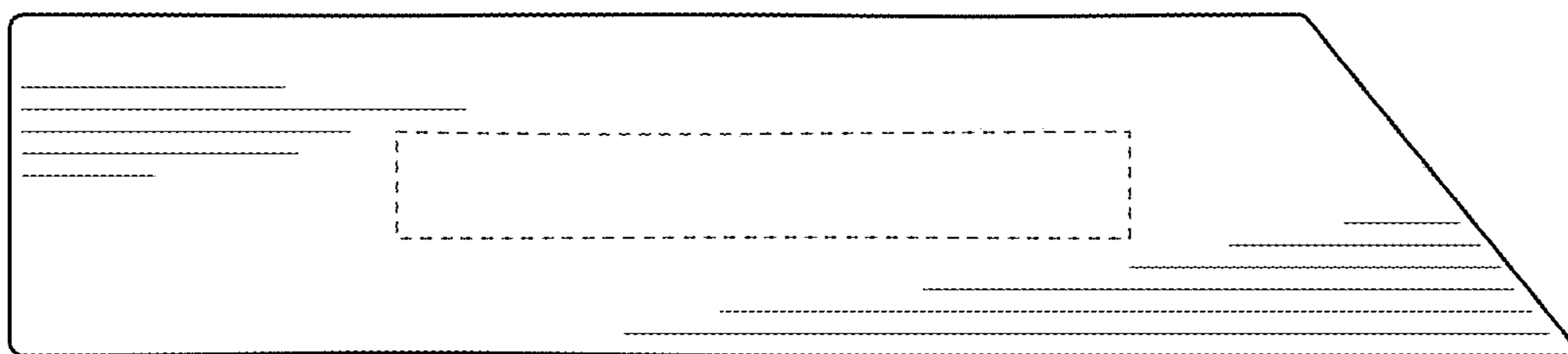


FIG. 5

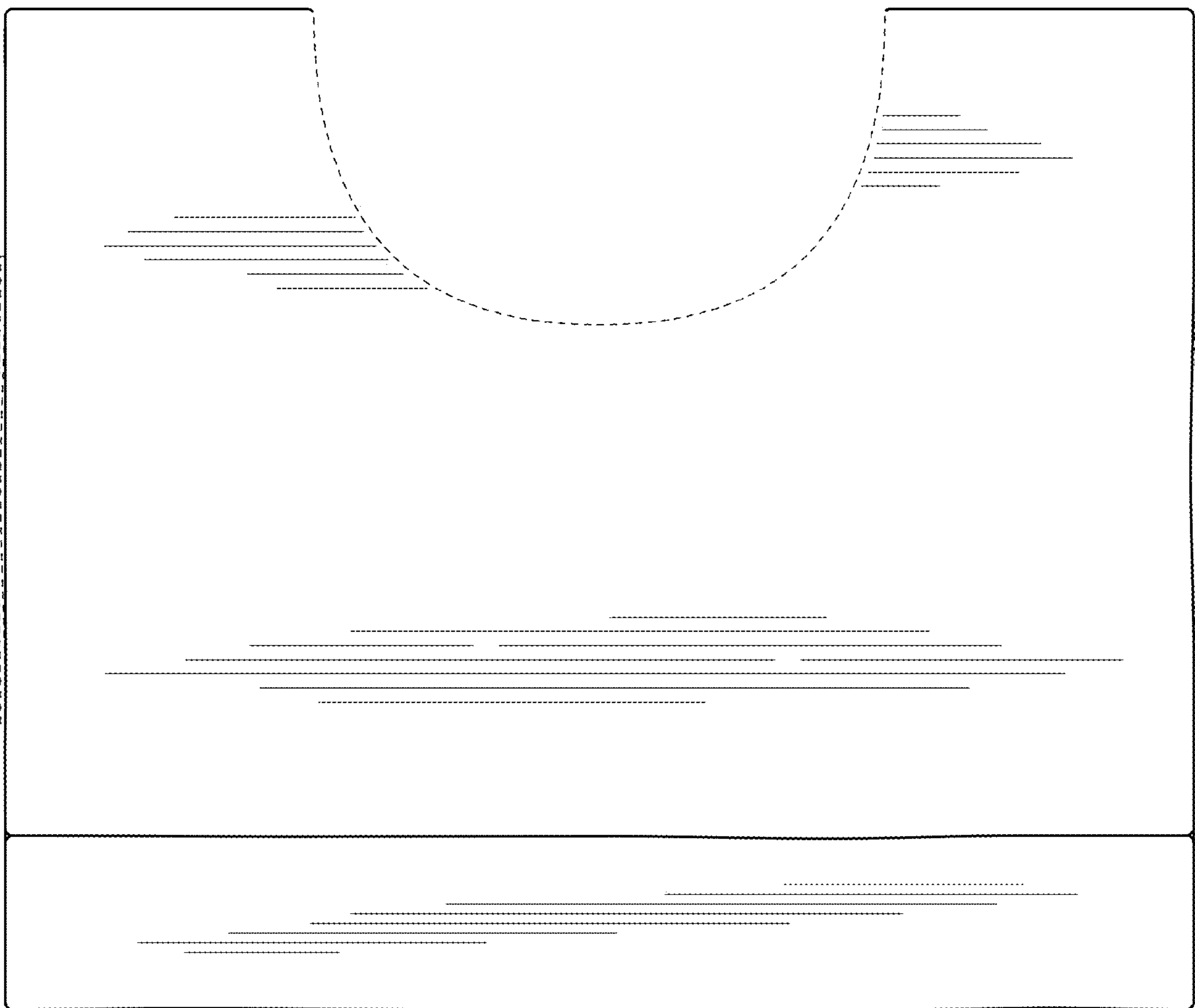


FIG. 6

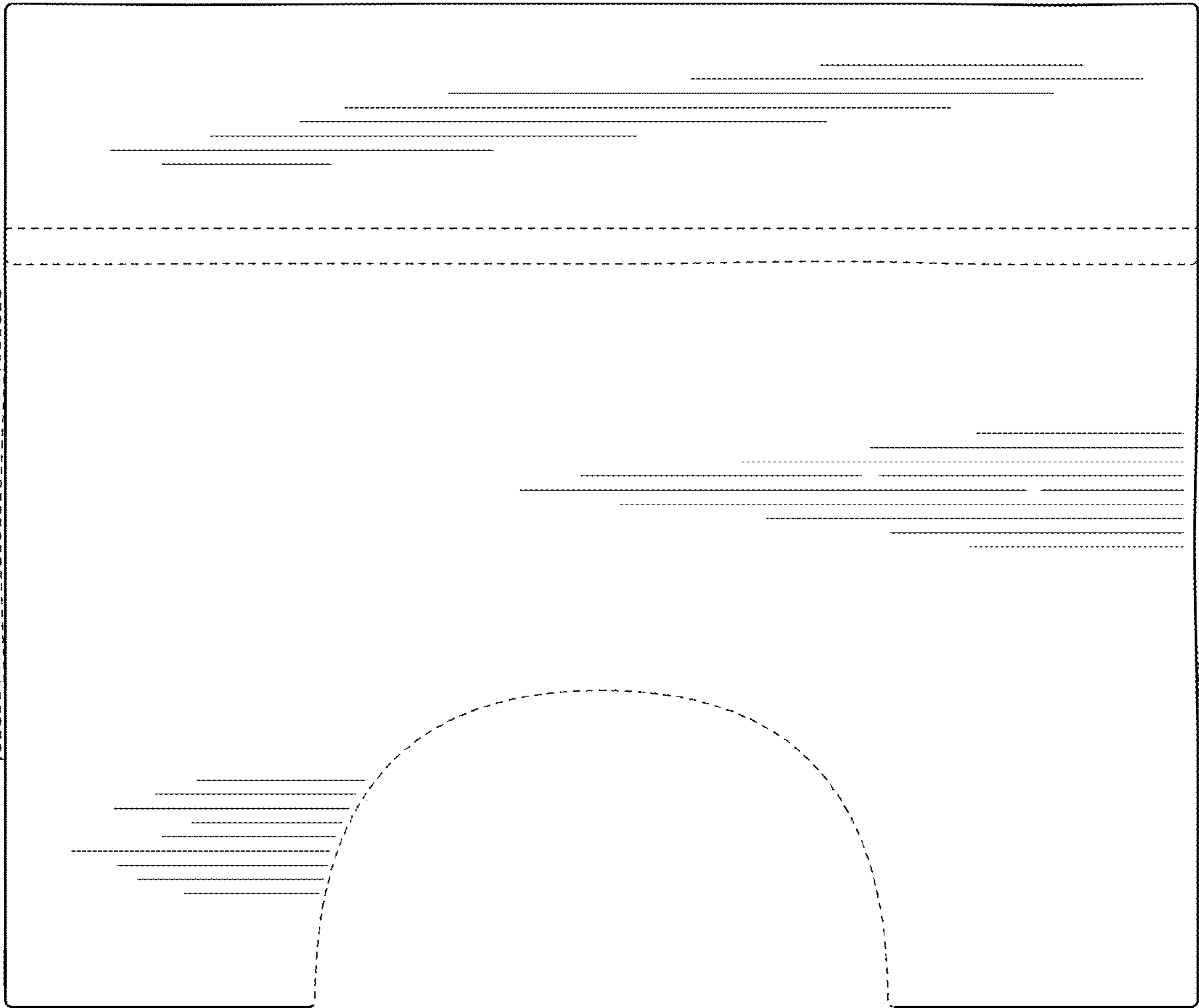


FIG. 7