



US00D897733S

(12) **United States Design Patent**
Du

(10) **Patent No.:** **US D897,733 S**

(45) **Date of Patent:** **** Oct. 6, 2020**

- (54) **NECK CARE PILLOW DEVICE**
- (71) Applicant: **Shenzhen Breo Technology Co., Ltd.**,
Shenzhen, Guangdong (CN)
- (72) Inventor: **Fei Du**, Shenzhen (CN)
- (73) Assignee: **SHENZHEN BREO TECHNOLOGY CO., LTD.**, Shenzhen, Guangdong (CN)
- (**) Term: **15 Years**
- (21) Appl. No.: **29/687,787**
- (22) Filed: **Apr. 16, 2019**
- (30) **Foreign Application Priority Data**

Nov. 19, 2018 (CN) 2018 3 0657169

(51) **LOC (12) Cl.** **06-09**

(52) **U.S. Cl.**
USPC **D6/601**

(58) **Field of Classification Search**

USPC D6/595-597, 601, 604-606

CPC A47C 27/00; A47C 27/08; A47C 27/12;

A47C 27/14; A47C 7/18; A47C 7/185;

A47C 7/20; A47C 23/00; A47C 27/001;

A47C 27/05; A47C 27/053; A47C

27/056; A47C 27/06; A47C 27/142; A47C

21/00; A47C 21/026; A47G 9/00; A47G

9/06; A47G 9/08; A47G 9/086; A47G

9/1009; A47G 9/10; A47G 9/1027; A47G

9/1054; A47G 9/1063; A47G 9/1072;

A47G 9/1045; A47G 9/1081; A47G

9/109; A47G 2009/1018; A47G 2009/003

See application file for complete search history.

(56) **References Cited**

U.S. PATENT DOCUMENTS

- D322,380 S * 12/1991 El-Asir D6/601
- D746,080 S * 12/2015 Mittelstadt D6/601

- D791,508 S * 7/2017 Chen D6/601
- D821,115 S * 6/2018 Chen D6/601
- D834,350 S * 11/2018 Zou D6/601
- D838,123 S * 1/2019 Ye D6/601
- D841,364 S * 2/2019 Yu D6/601
- D845,676 S * 4/2019 Yang D6/601
- D873,052 S * 1/2020 Blanc D6/601
- 2012/0011655 A1* 1/2012 Rojas A47C 7/383
5/636
- 2015/0257555 A1* 9/2015 Wong A47G 9/10
5/636
- 2017/0251813 A1* 9/2017 Komsky A47C 7/383
- 2018/0242755 A1* 8/2018 Redford A47D 13/083
- 2019/0282008 A1* 9/2019 Choi A47C 7/383

(Continued)

Primary Examiner — R. Johnson

(74) *Attorney, Agent, or Firm* — Westerman, Hattori,
Daniels & Adrian, LLP

(57) **CLAIM**

The ornamental design for a neck care pillow device, as shown and described.

DESCRIPTION

FIG. 1 is a perspective view of a neck care pillow device showing my new design;

FIG. 2 is a front view thereof;

FIG. 3 is a back view thereof;

FIG. 4 is a left side view thereof;

FIG. 5 is a right side view thereof;

FIG. 6 is a top view thereof;

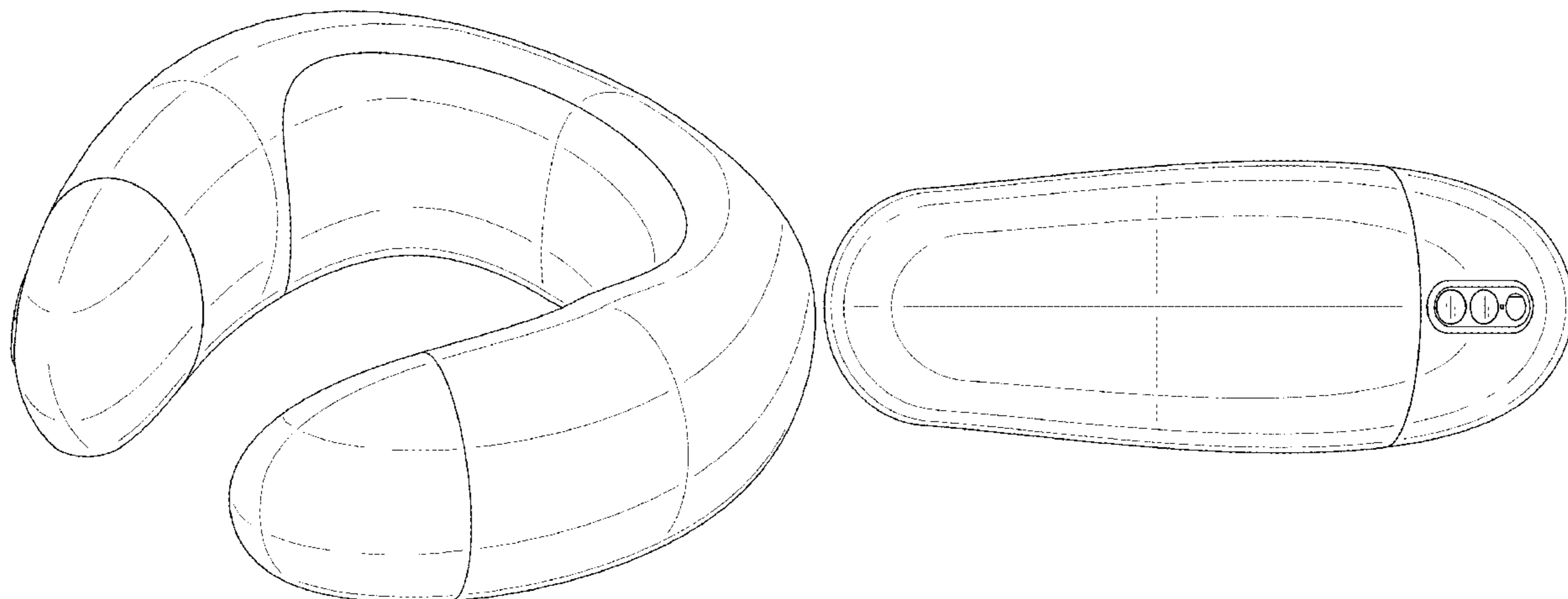
FIG. 7 is a bottom view thereof;

FIG. 8 is another perspective view thereof; and,

FIG. 9 is another perspective view thereof; the neck care pillow device shown as used.

The broken line disclosure is understood to be for illustrative purposes only and forms no part of the claimed design.

1 Claim, 9 Drawing Sheets



(56)

References Cited

U.S. PATENT DOCUMENTS

2019/0380517 A1* 12/2019 Martin A47G 9/1081
2020/0060450 A1* 2/2020 Wong A47G 9/1081

* cited by examiner

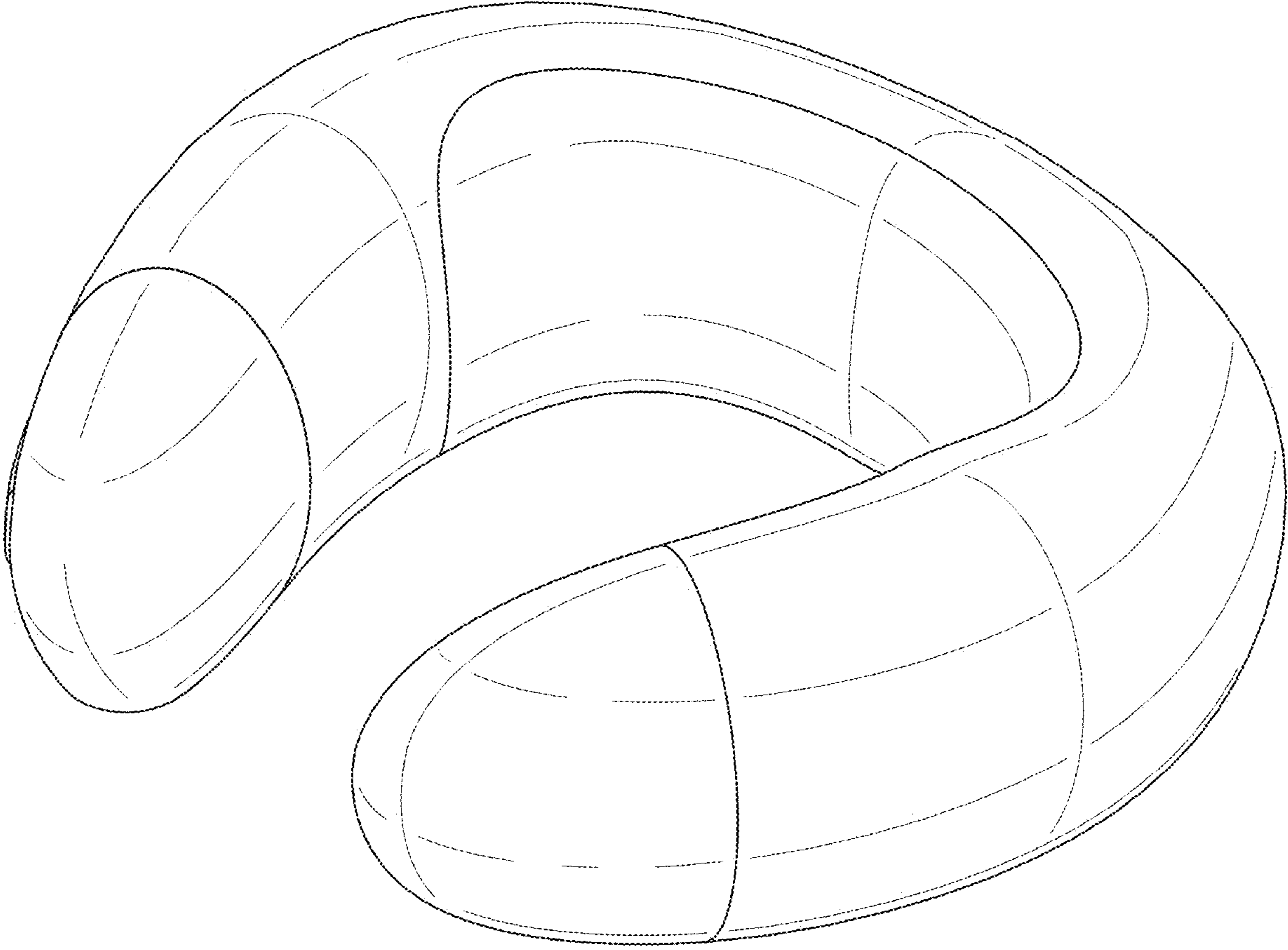


FIG. 1

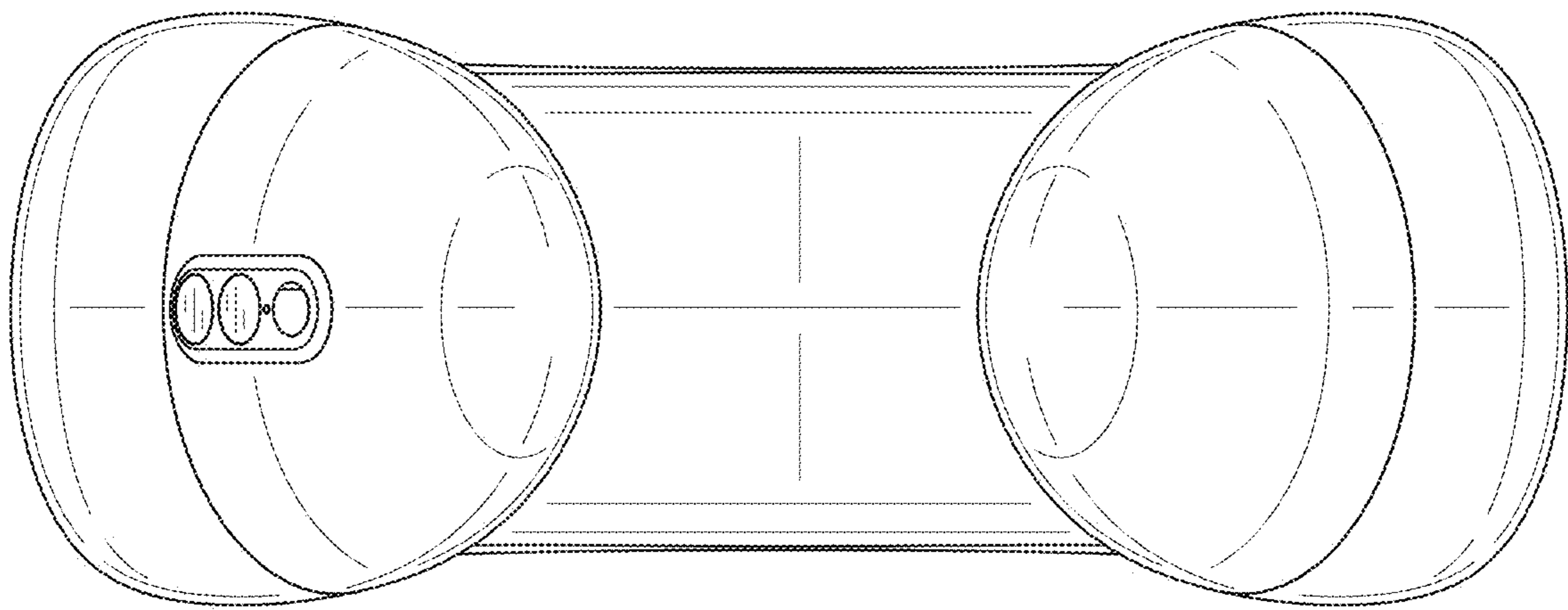


FIG. 2

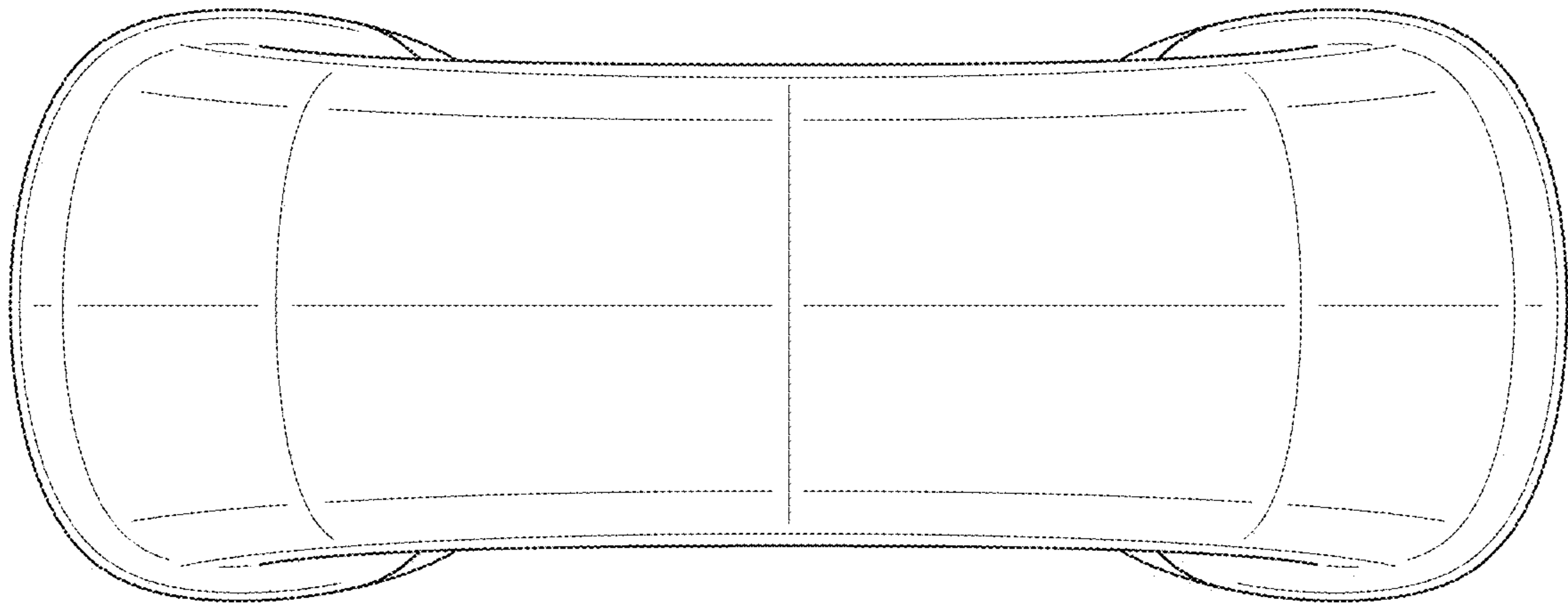


FIG. 3

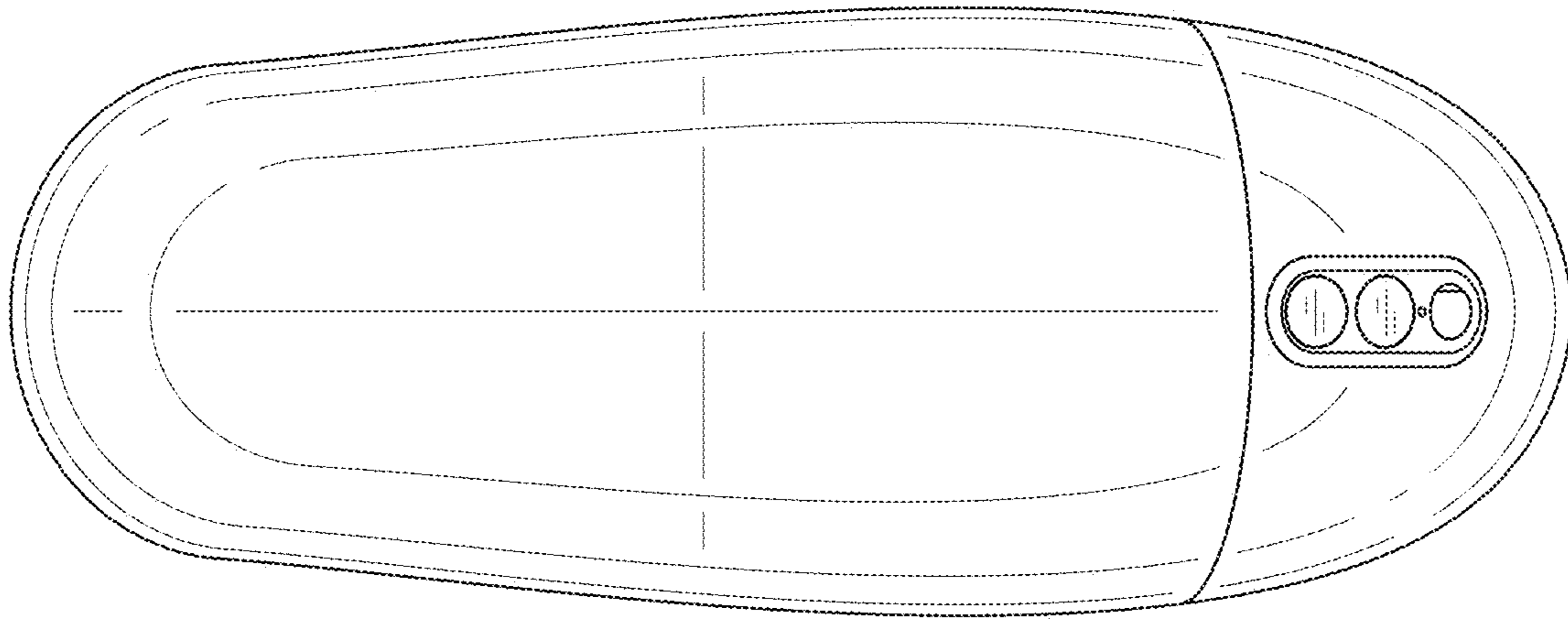


FIG. 4

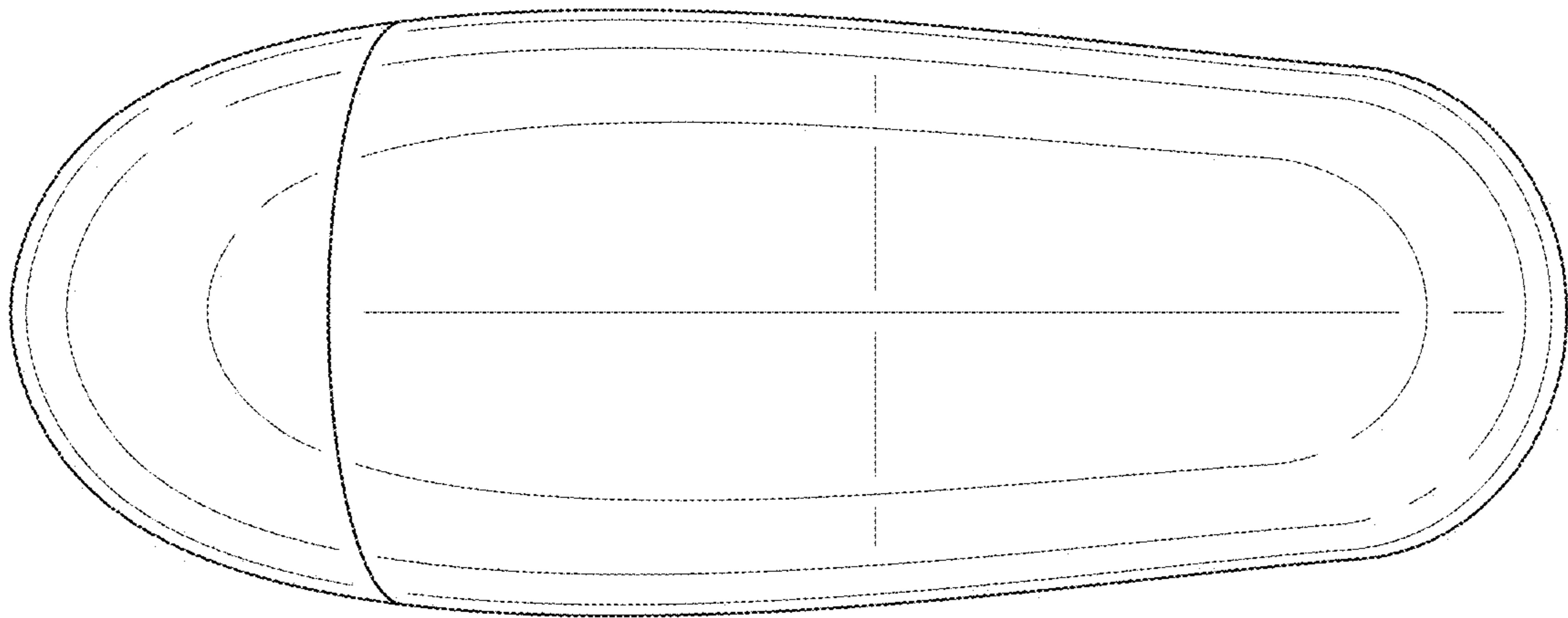


FIG. 5

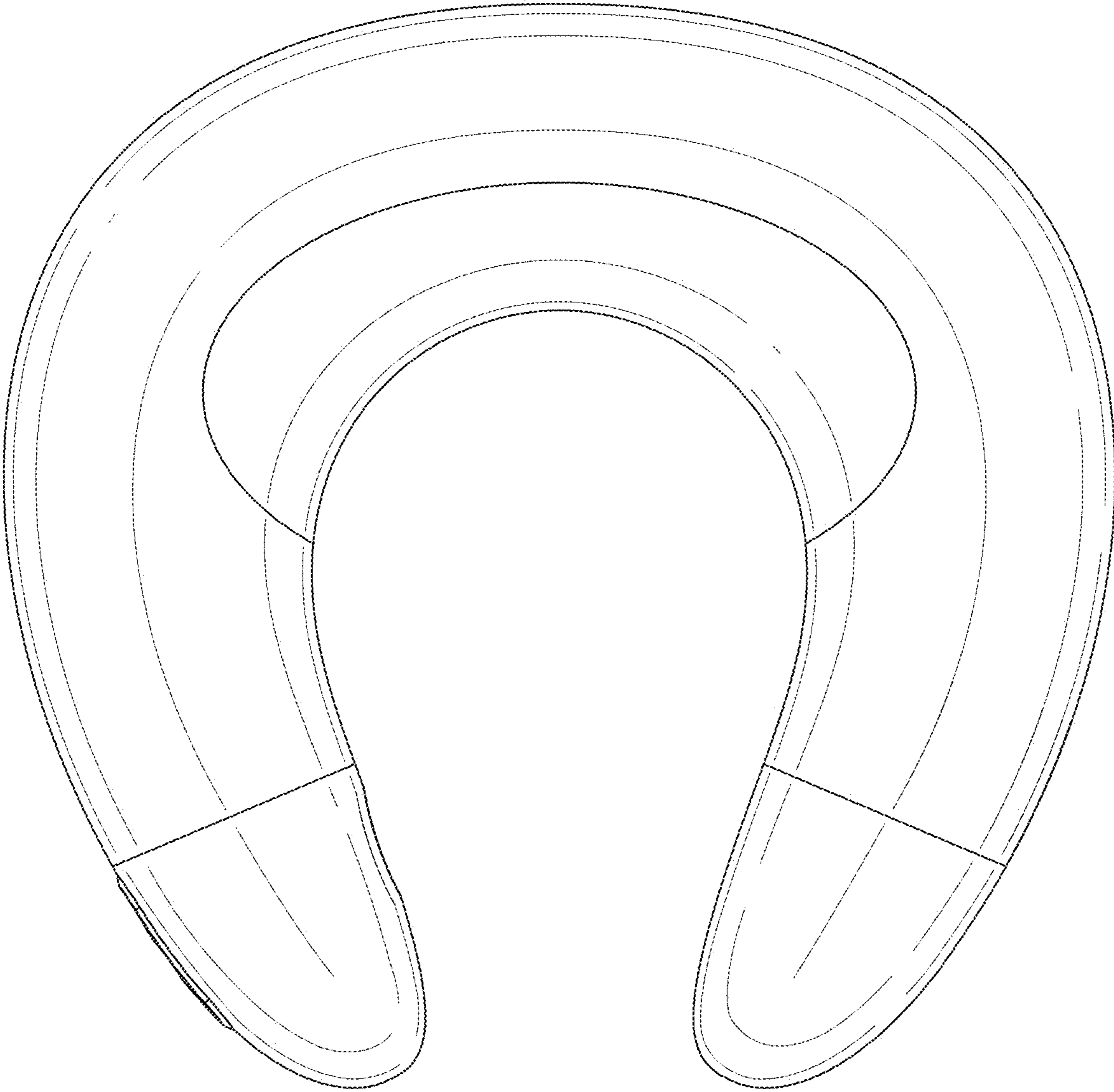


FIG. 6

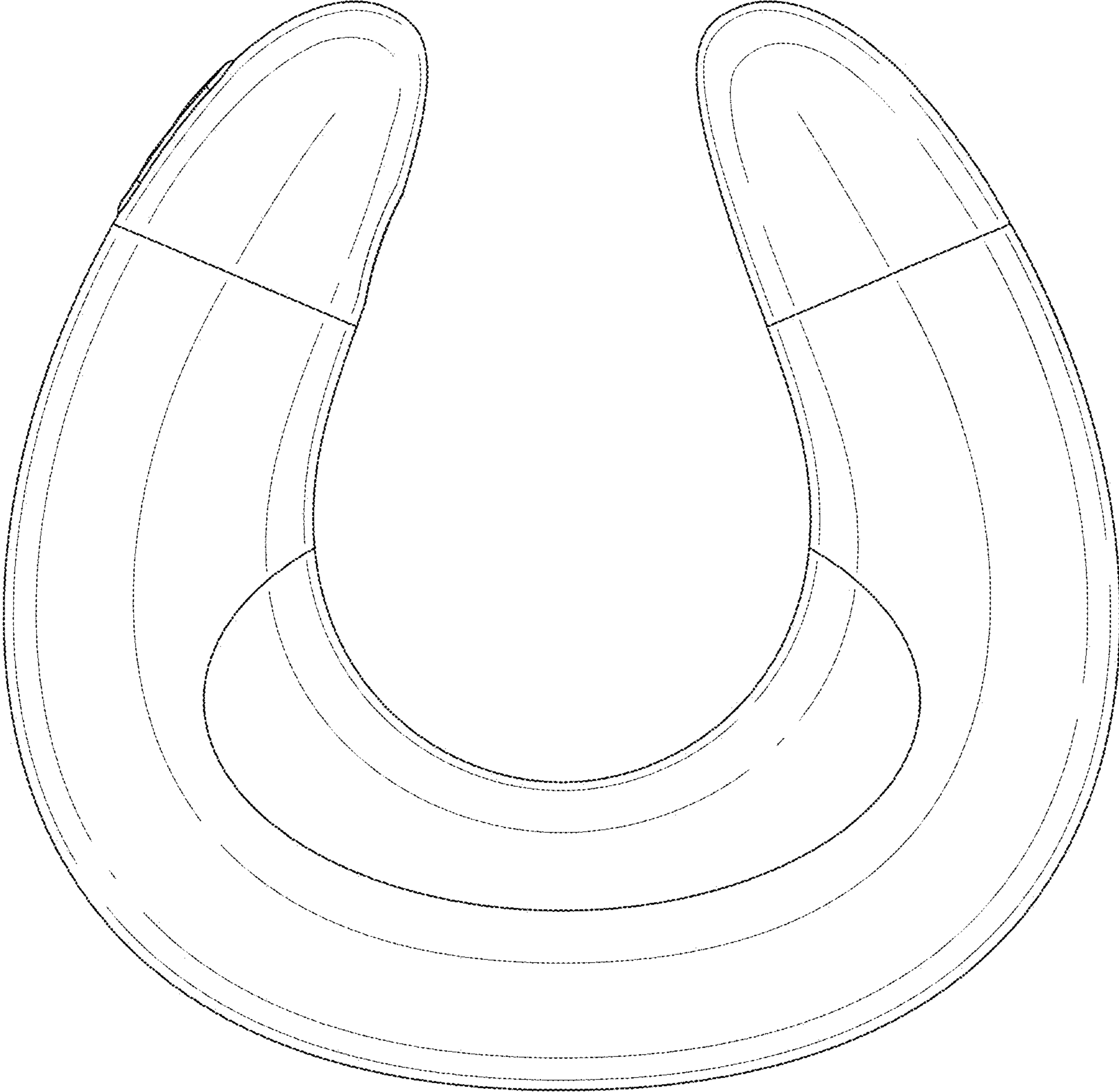


FIG. 7

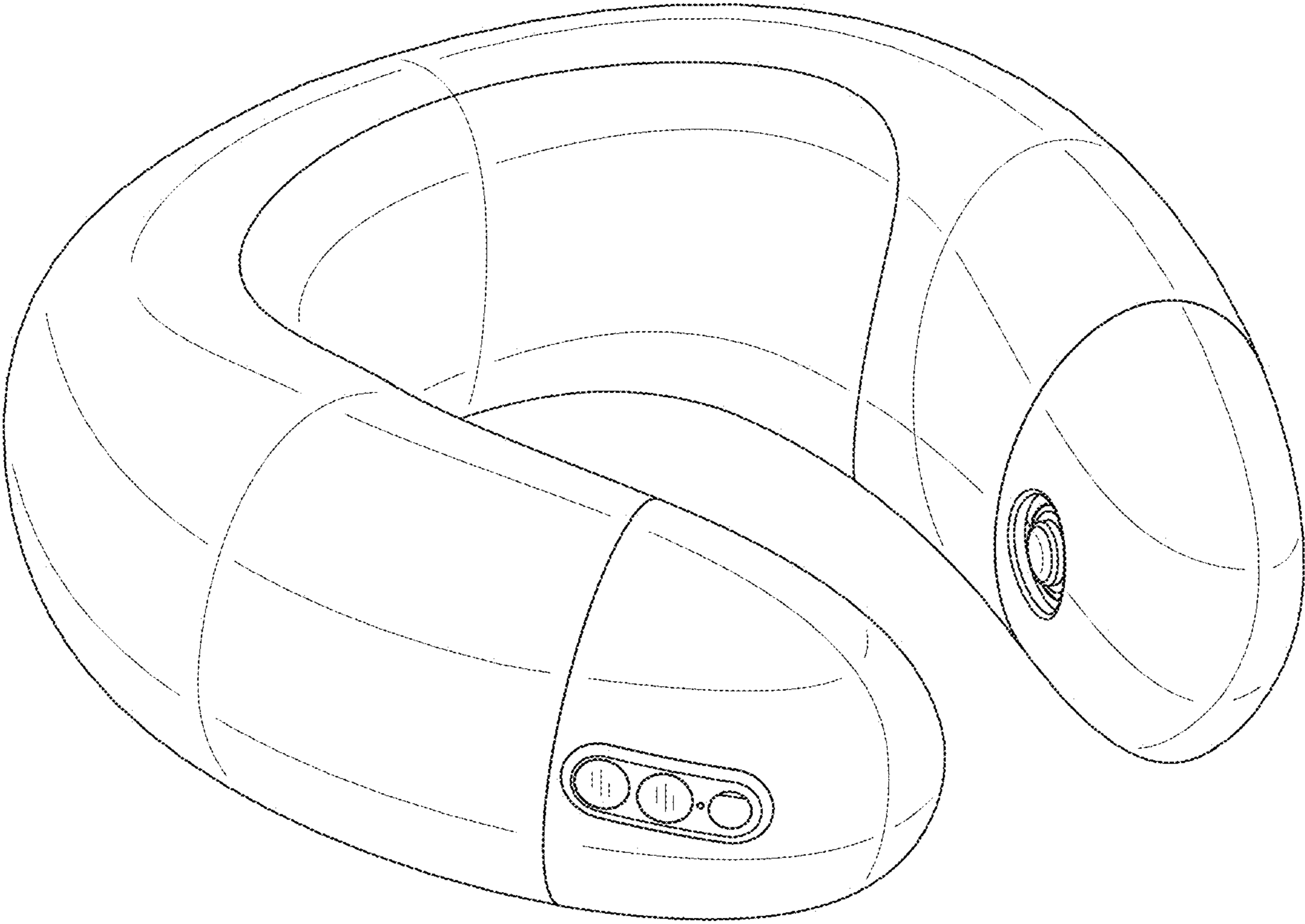


FIG. 8

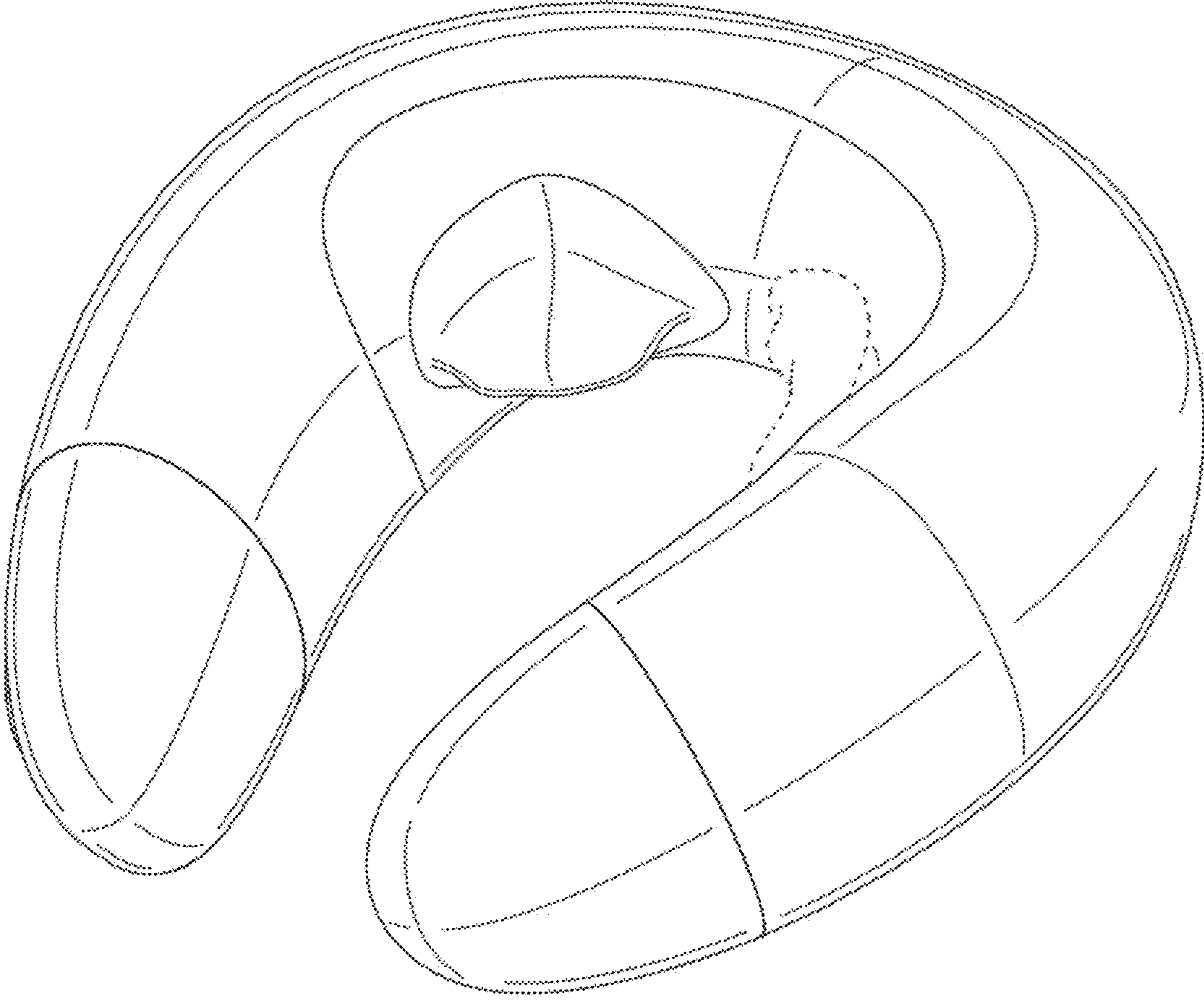


FIG. 9