



US00D897731S

(12) **United States Design Patent**  
**Chan**

(10) **Patent No.:** **US D897,731 S**

(45) **Date of Patent:** **\*\* Oct. 6, 2020**

(54) **NECK PILLOW**

(71) Applicant: **King Chan**, Lake Oswego, OR (US)

(72) Inventor: **King Chan**, Lake Oswego, OR (US)

(\*\*) Term: **15 Years**

(21) Appl. No.: **29/671,282**

(22) Filed: **Nov. 26, 2018**

(51) **LOC (12) Cl.** ..... **06-09**

(52) **U.S. Cl.**  
USPC ..... **D6/601**

(58) **Field of Classification Search**  
USPC ..... D6/582-583, 587-592, 595-609,  
D6/617-622; D21/803-809; D24/183  
CPC ..... A47G 9/00; A47G 2009/001; A47G  
2009/002; A47G 2009/003; A47G 9/10;  
A47G 9/1009; A47G 2009/1018; A47G  
9/1045; A47G 9/1081; A47G 9/109  
See application file for complete search history.

(56) **References Cited**

**U.S. PATENT DOCUMENTS**

- 5,211,623 A \* 5/1993 Sarkozi ..... A61F 5/055  
128/DIG. 23
- 6,058,517 A \* 5/2000 Hartunian ..... A41D 13/0512  
2/468
- 6,457,195 B1 \* 10/2002 Holste ..... A47C 7/383  
5/636
- D469,541 S \* 1/2003 Cheatham ..... D24/191

- D582,045 S \* 12/2008 James ..... D24/191
- D715,581 S \* 10/2014 Kawamura ..... D6/601
- D787,233 S \* 5/2017 Wang ..... D6/601
- D841,364 S \* 2/2019 Yu ..... D6/601
- D846,131 S \* 4/2019 Cain ..... D24/191
- 2002/0156408 A1 \* 10/2002 Cheatham ..... A61F 5/055  
602/13
- 2007/0056110 A1 \* 3/2007 Tuoriniemi ..... A47D 13/083  
5/655
- 2017/0290450 A1 \* 10/2017 Jaramillo ..... A47G 9/10

\* cited by examiner

*Primary Examiner* — Jennifer L Rempfer

(74) *Attorney, Agent, or Firm* — Mohr Intellectual  
Property Law Solutions, PC

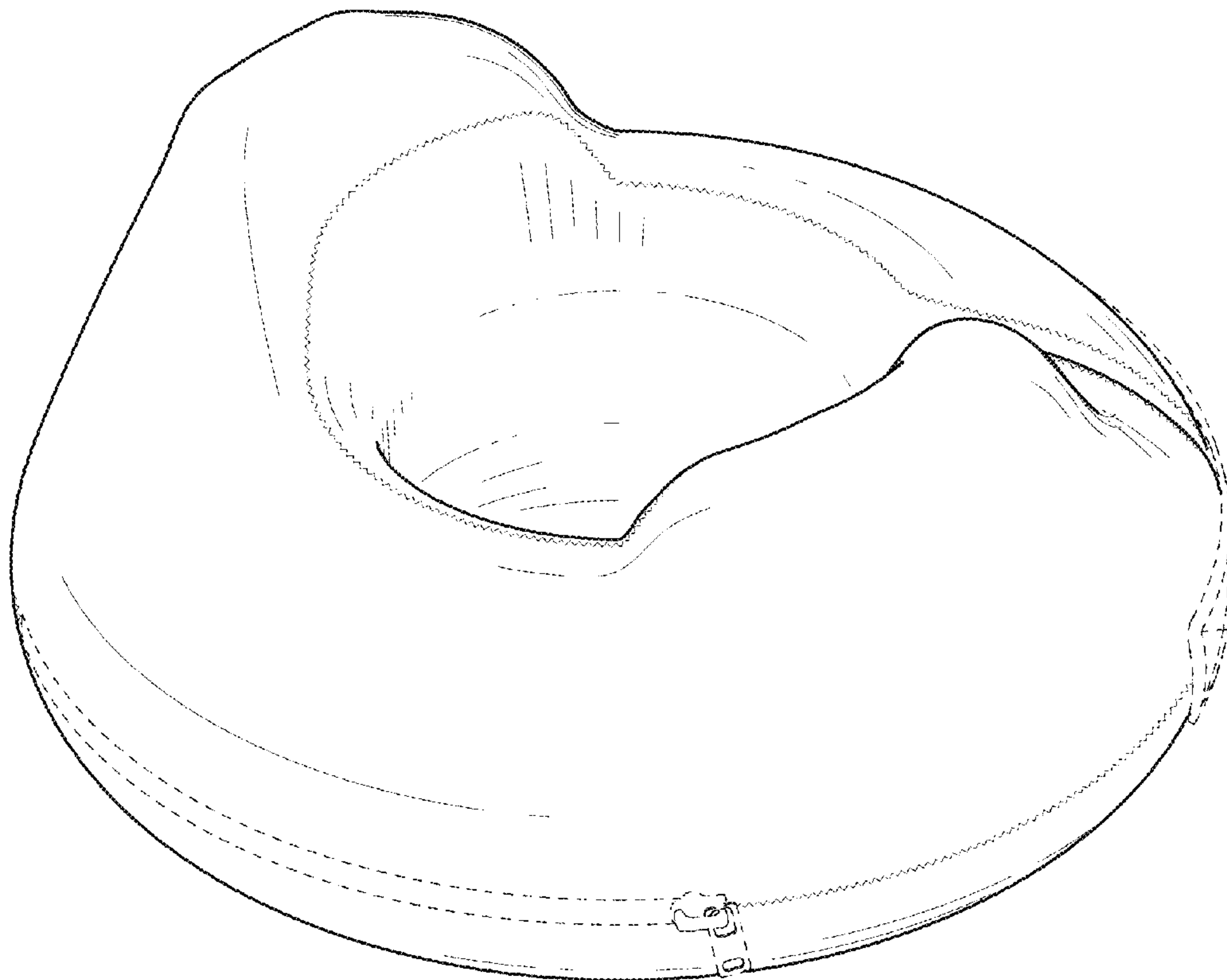
(57) **CLAIM**

I claim the ornamental design for an neck pillow, as shown  
and described.

**DESCRIPTION**

FIG. 1 is a perspective view of an neck pillow.  
FIG. 2 is a front elevation view thereof.  
FIG. 3 is a left elevation view thereof.  
FIG. 4 is a right elevation view thereof.  
FIG. 5 is a rear elevation view thereof.  
FIG. 6 is a top plan view thereof; and,  
FIG. 7 is a bottom plan view thereof.  
Any broken lines in the drawings illustrate portions of the  
neck pillow that form no part of the claimed design.

**1 Claim, 7 Drawing Sheets**



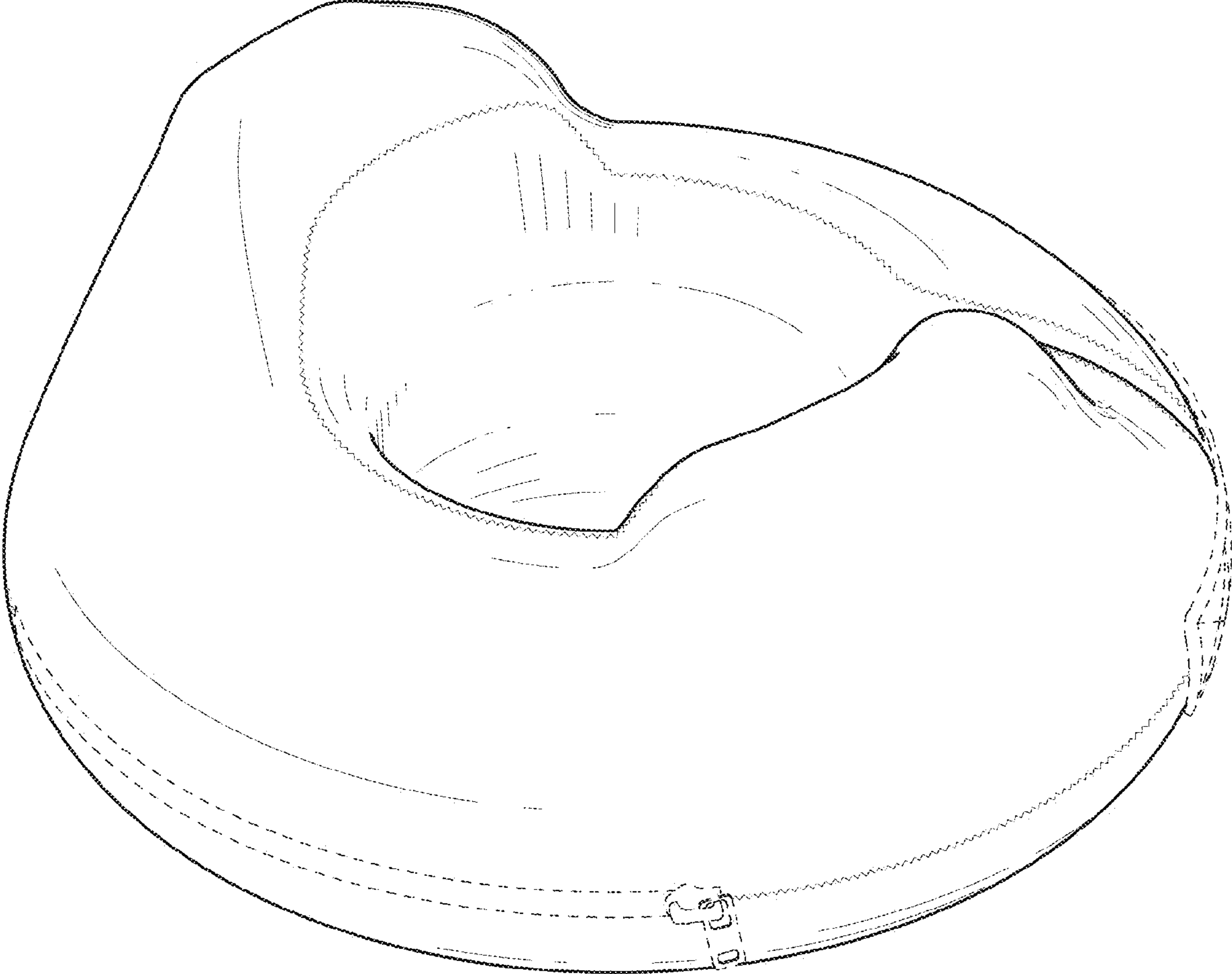


FIG. 1

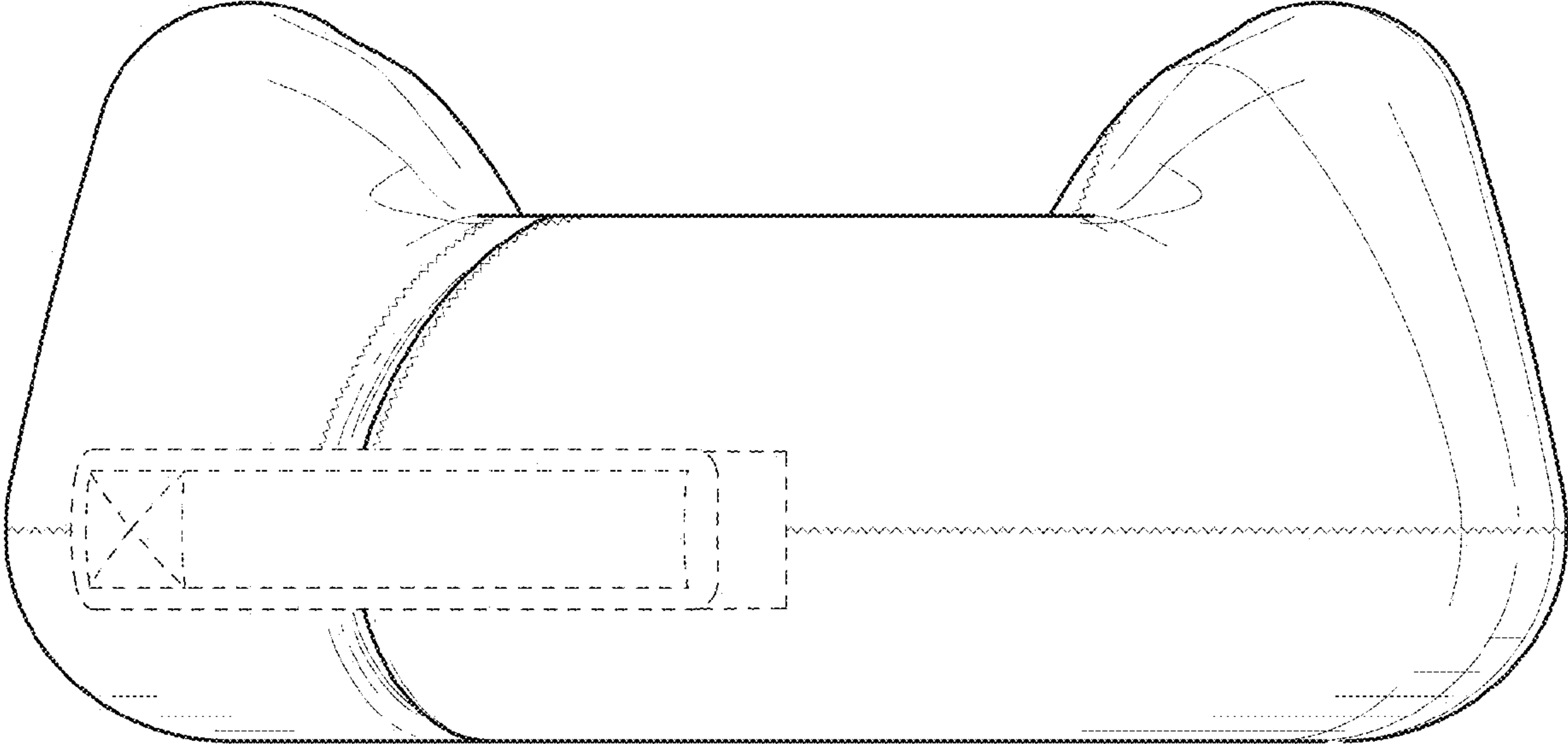


FIG. 2

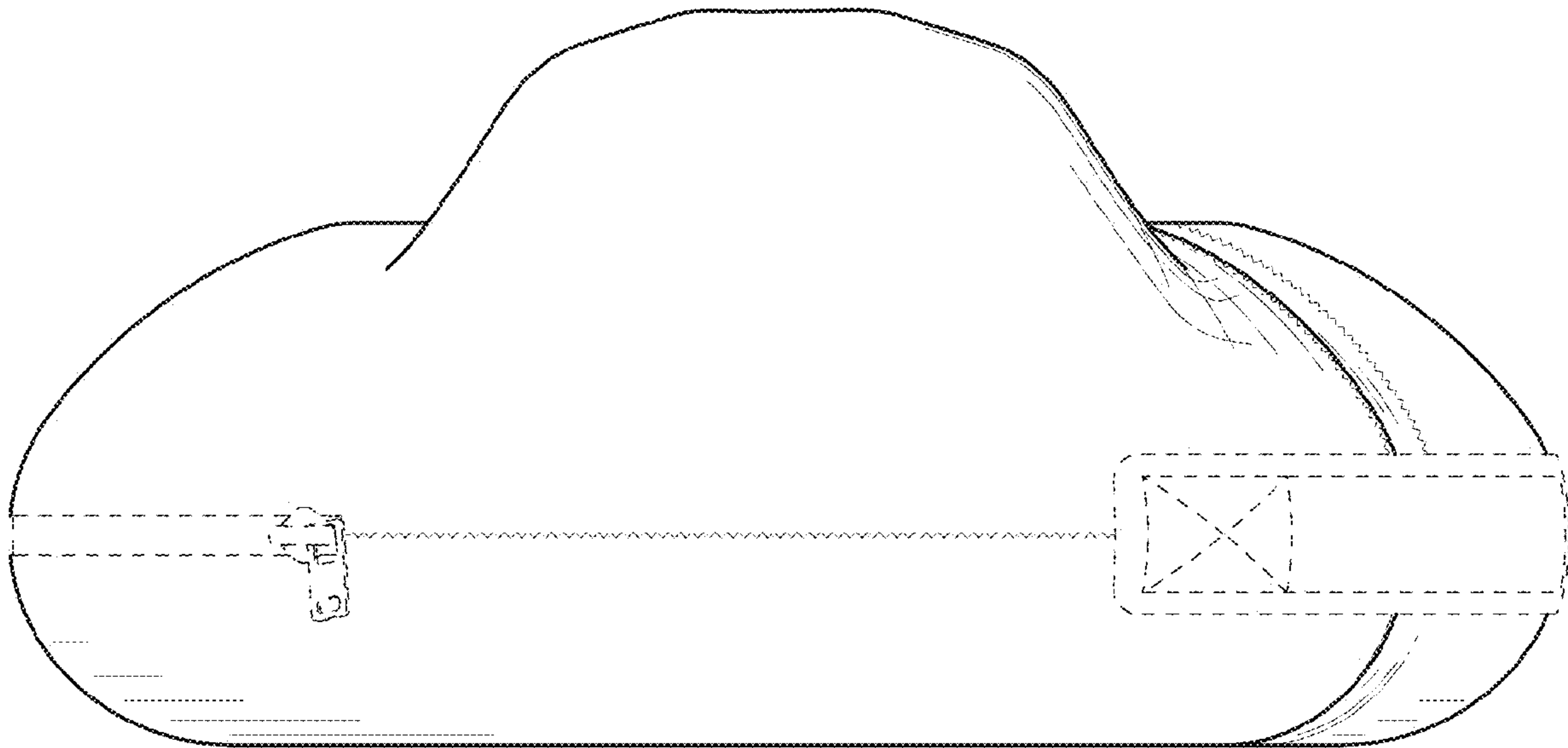


FIG. 3

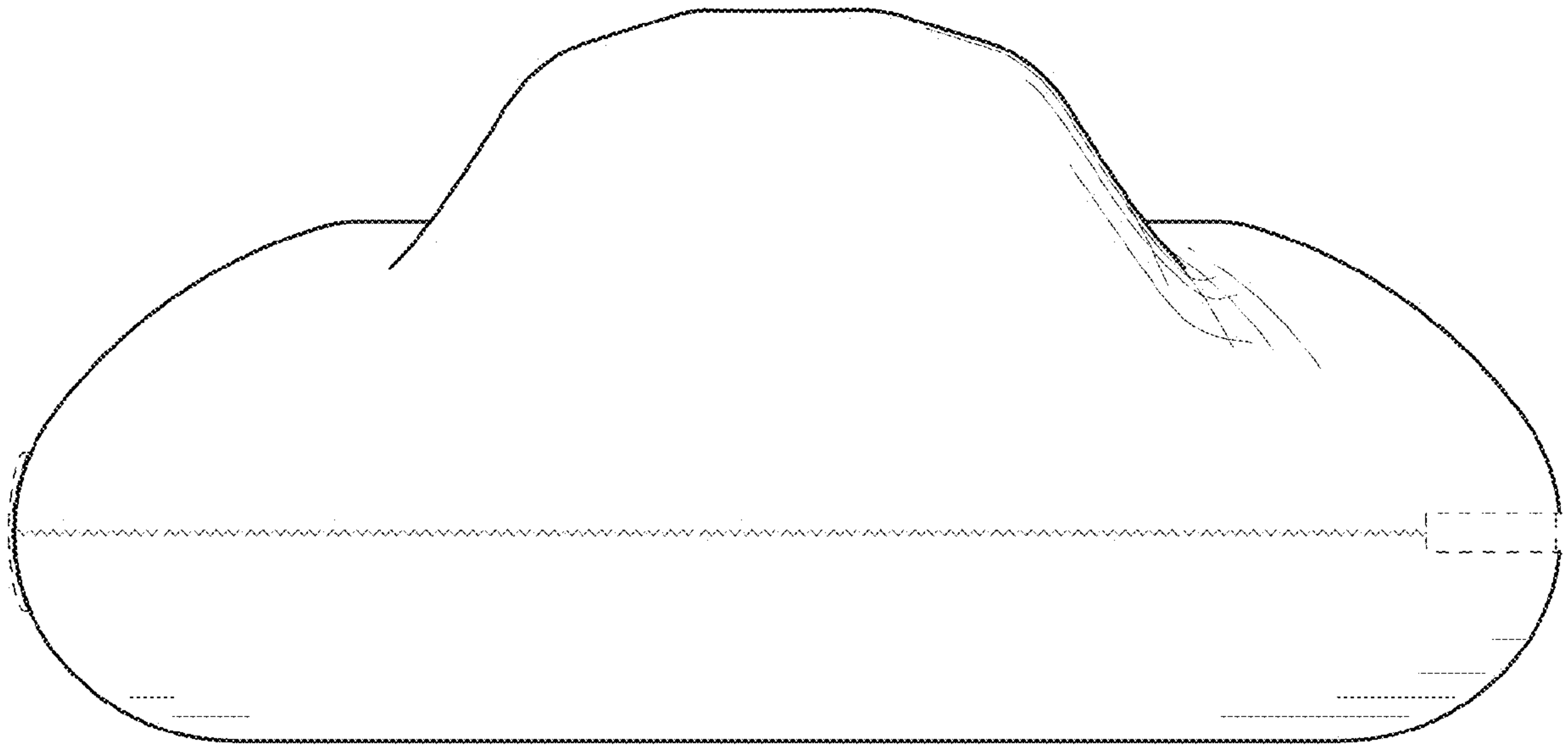


FIG. 4

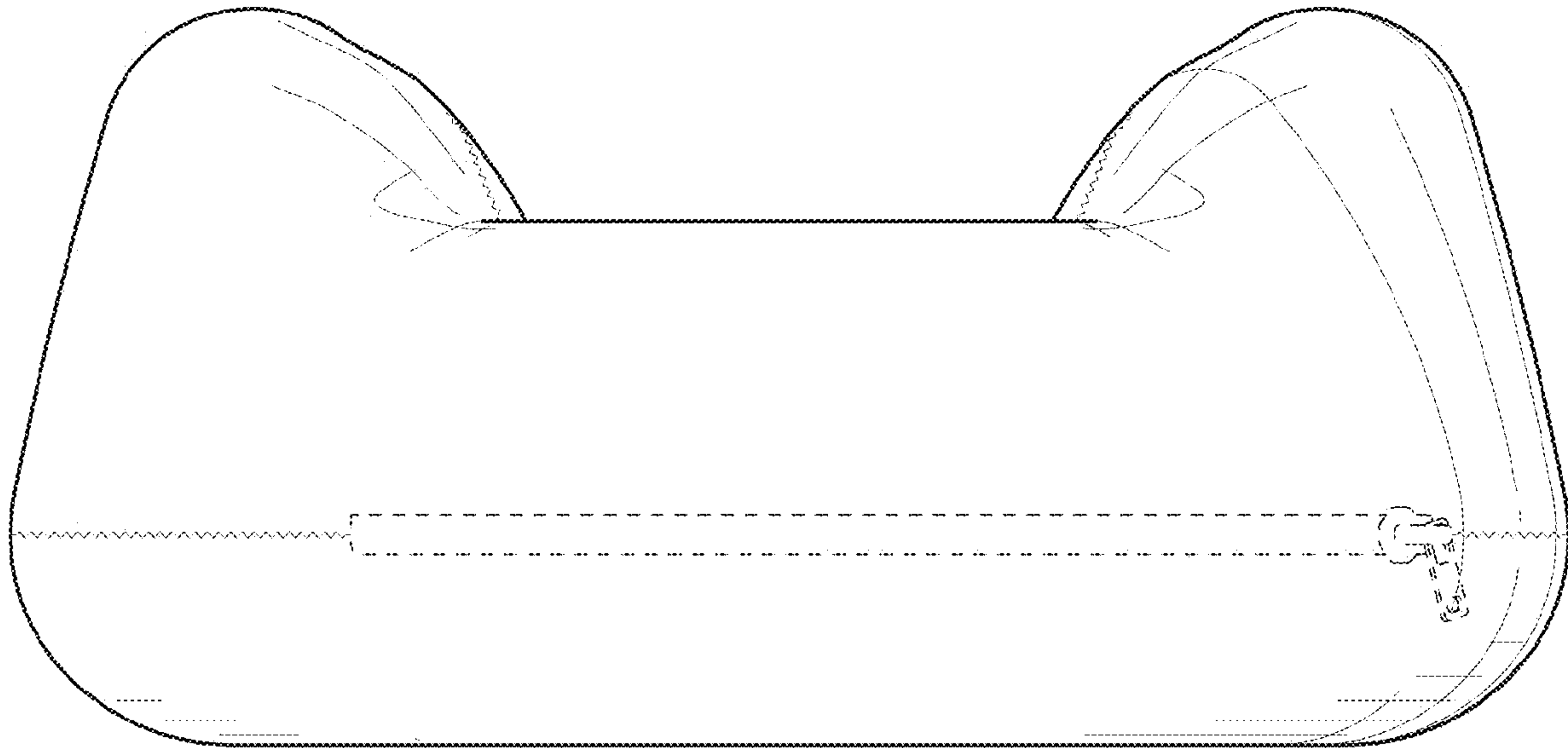


FIG. 5

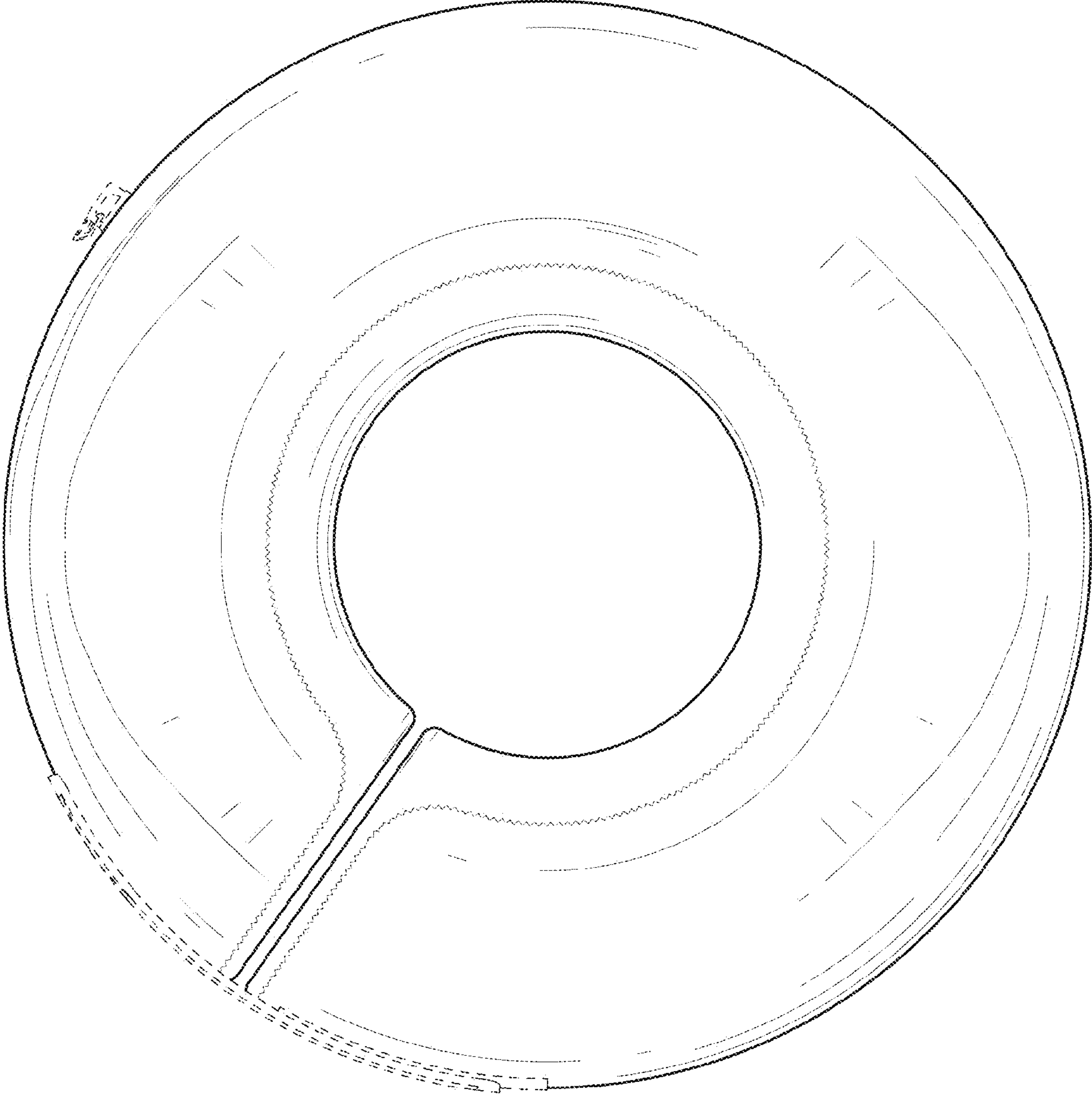


FIG. 6



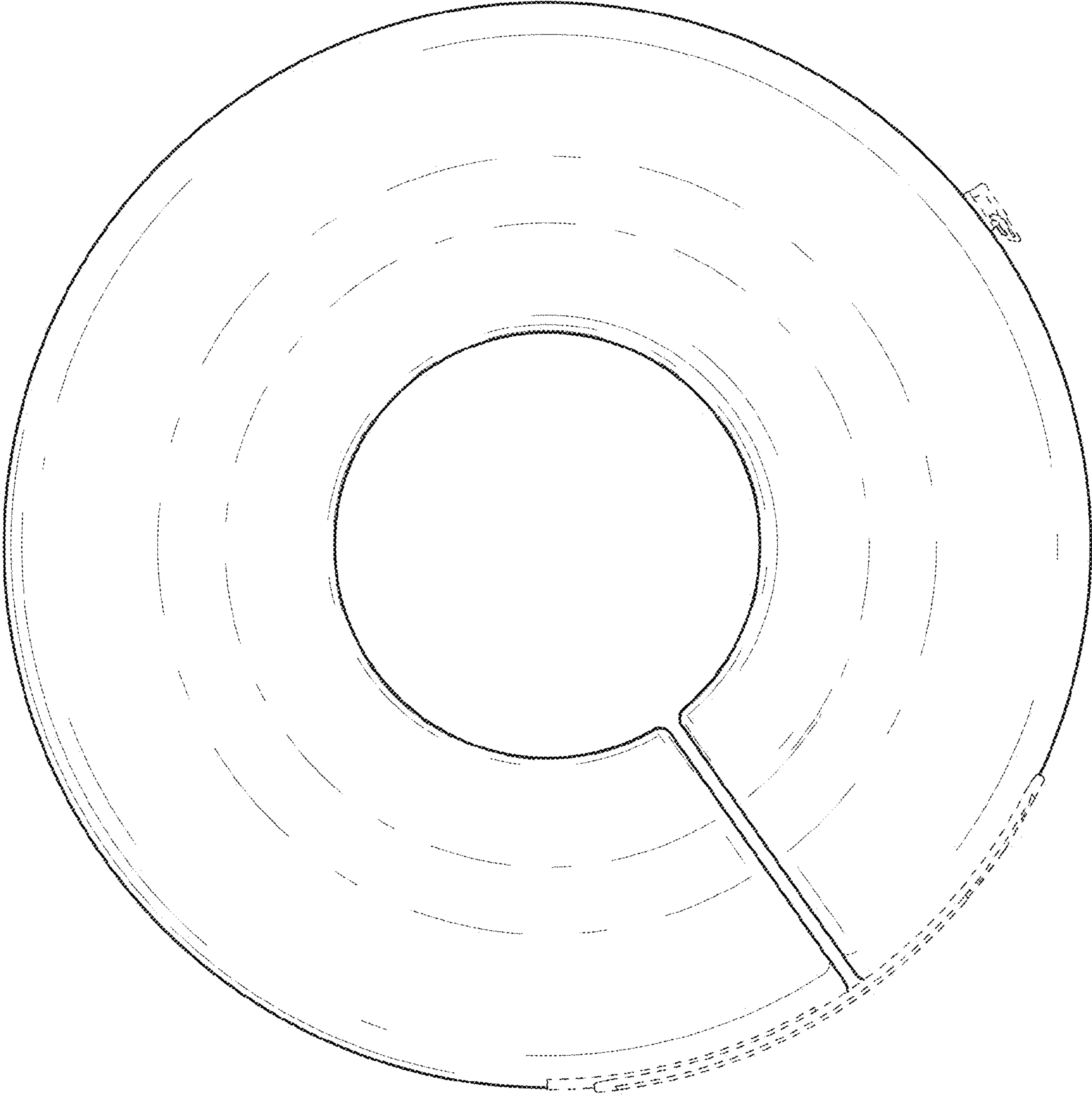


FIG. 7