



US00D897730S

(12) **United States Design Patent**
Chan

(10) **Patent No.:** **US D897,730 S**

(45) **Date of Patent:** **** *Oct. 6, 2020**

(54) **NECK PILLOW**

(71) Applicant: **King Chan**, Lake Oswego, OR (US)

(72) Inventor: **King Chan**, Lake Oswego, OR (US)

(*) Notice: This patent is subject to a terminal disclaimer.

(**) Term: **15 Years**

(21) Appl. No.: **29/671,276**

(22) Filed: **Nov. 26, 2018**

(51) **LOC (12) Cl.** **06-09**

(52) **U.S. Cl.**
USPC **D6/601**

(58) **Field of Classification Search**
USPC D6/582-583, 587-592, 595-609,
D6/617-622; D21/803-809; D24/183
CPC A47G 9/00; A47G 2009/001; A47G
2009/002; A47G 2009/003; A47G 9/10;
A47G 9/1009; A47G 2009/1018; A47G
9/1045; A47G 9/1081; A47G 9/109
See application file for complete search history.

(56) **References Cited**

U.S. PATENT DOCUMENTS

- 5,211,623 A * 5/1993 Sarkozi A61F 5/055
128/DIG. 23
- 6,058,517 A * 5/2000 Hartunian A41D 13/0512
2/468
- 6,457,195 B1 * 10/2002 Holste A47C 7/383
5/636

- D469,541 S * 1/2003 Cheatham D24/191
- D582,045 S * 12/2008 James D24/191
- D715,581 S * 10/2014 Kawamura D6/601
- D787,233 S * 5/2017 Wang D6/601
- D841,364 S * 2/2019 Yu D6/601
- D846,131 S * 4/2019 Cain D24/191
- 2002/0156408 A1 * 10/2002 Cheatham A61F 5/055
602/13
- 2007/0056110 A1 * 3/2007 Tuoriniemi A47D 13/083
5/655
- 2017/0290450 A1 * 10/2017 Jaramillo A47G 9/10

* cited by examiner

Primary Examiner — Jennifer L Rempfer
(74) *Attorney, Agent, or Firm* — Mohr Intellectual
Property Law Solutions, PC

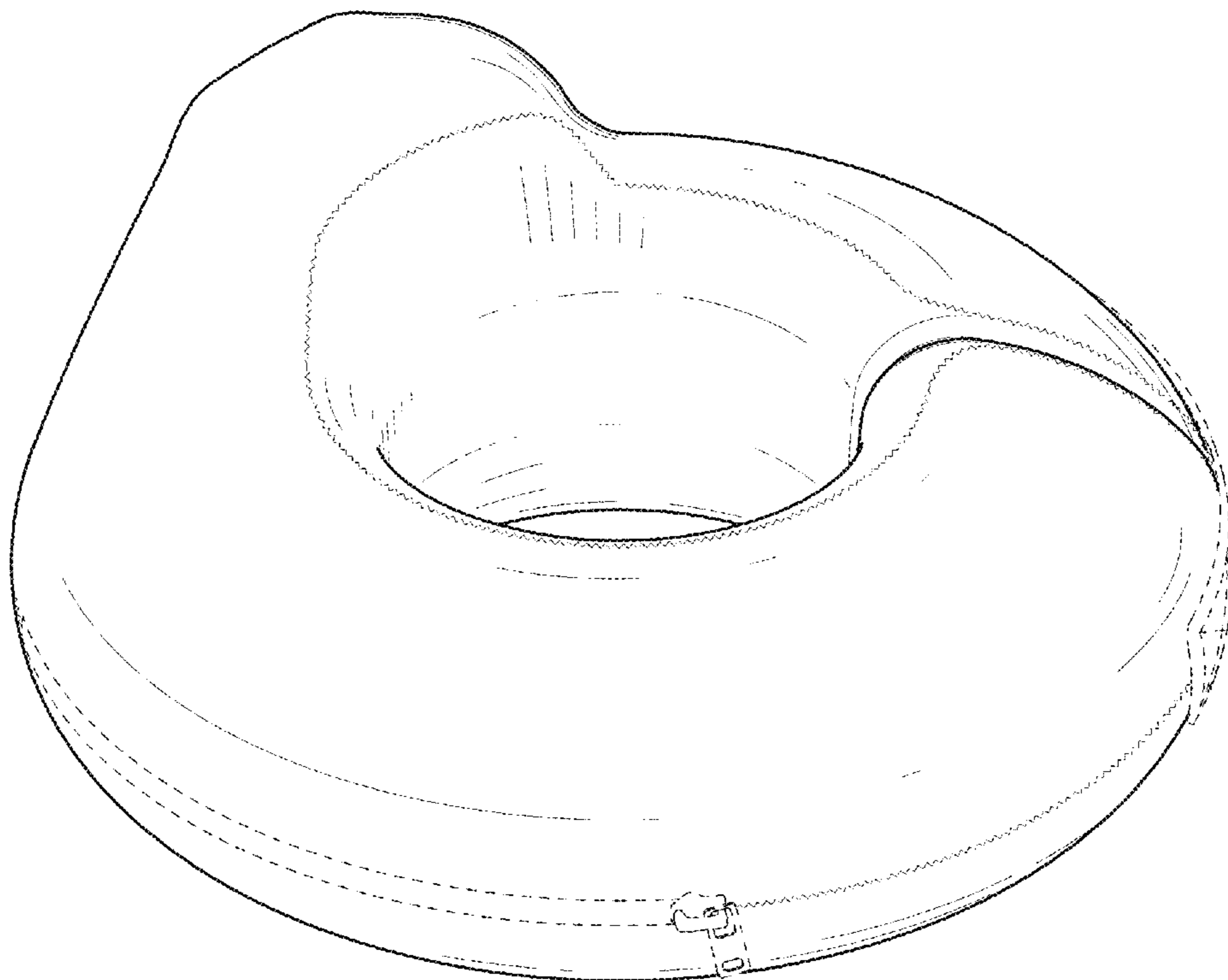
(57) **CLAIM**

I claim the ornamental design for an neck pillow, as shown and described.

DESCRIPTION

FIG. 1 is a perspective view of an neck pillow.
FIG. 2 is a front elevation view thereof.
FIG. 3 is a left elevation view thereof.
FIG. 4 is a right elevation view thereof.
FIG. 5 is a rear elevation view thereof.
FIG. 6 is a top plan view thereof; and,
FIG. 7 is a bottom plan view thereof.
Any broken lines in the drawings illustrate portions of the neck pillow that form no part of the claimed design.

1 Claim, 7 Drawing Sheets



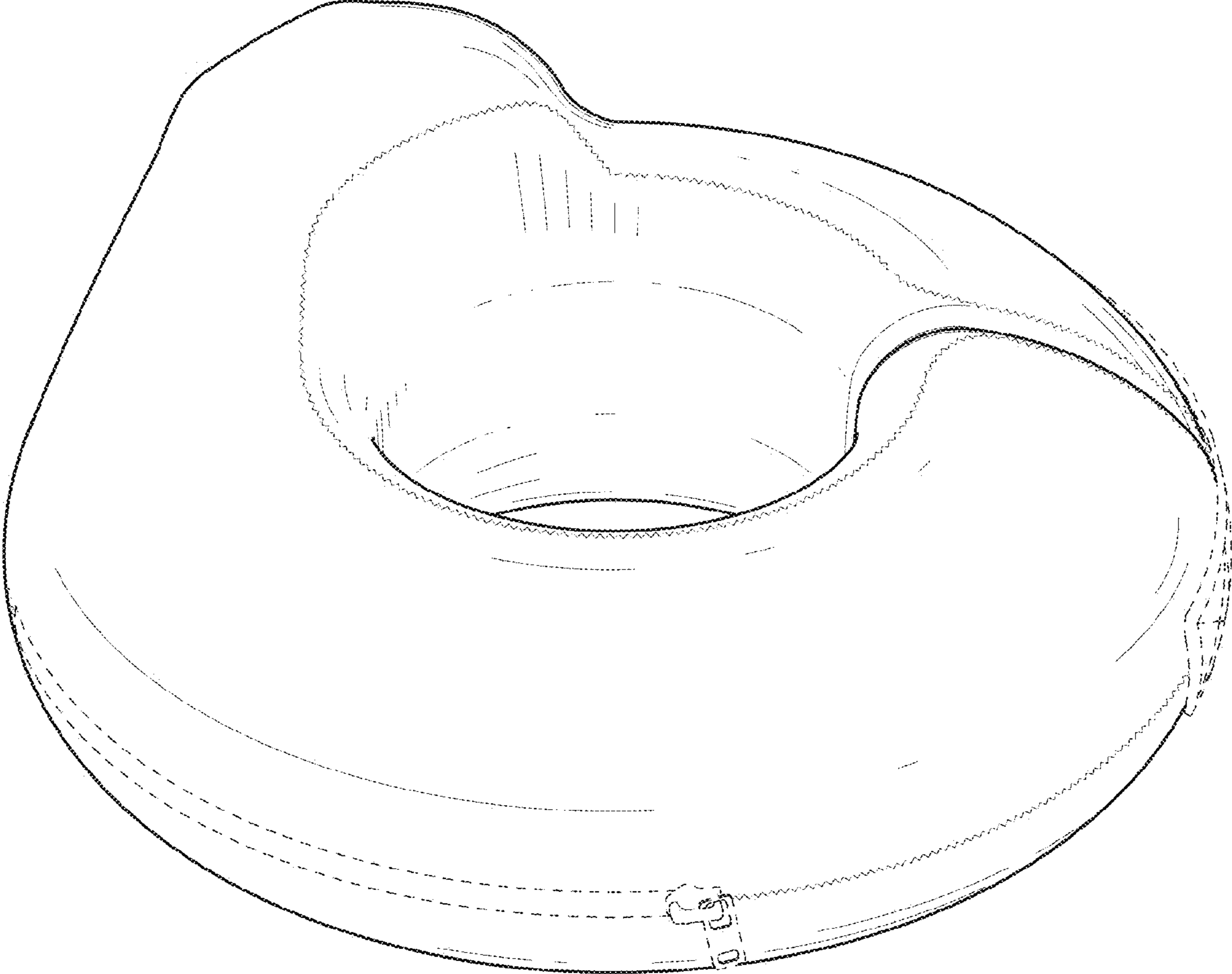


FIG. 1

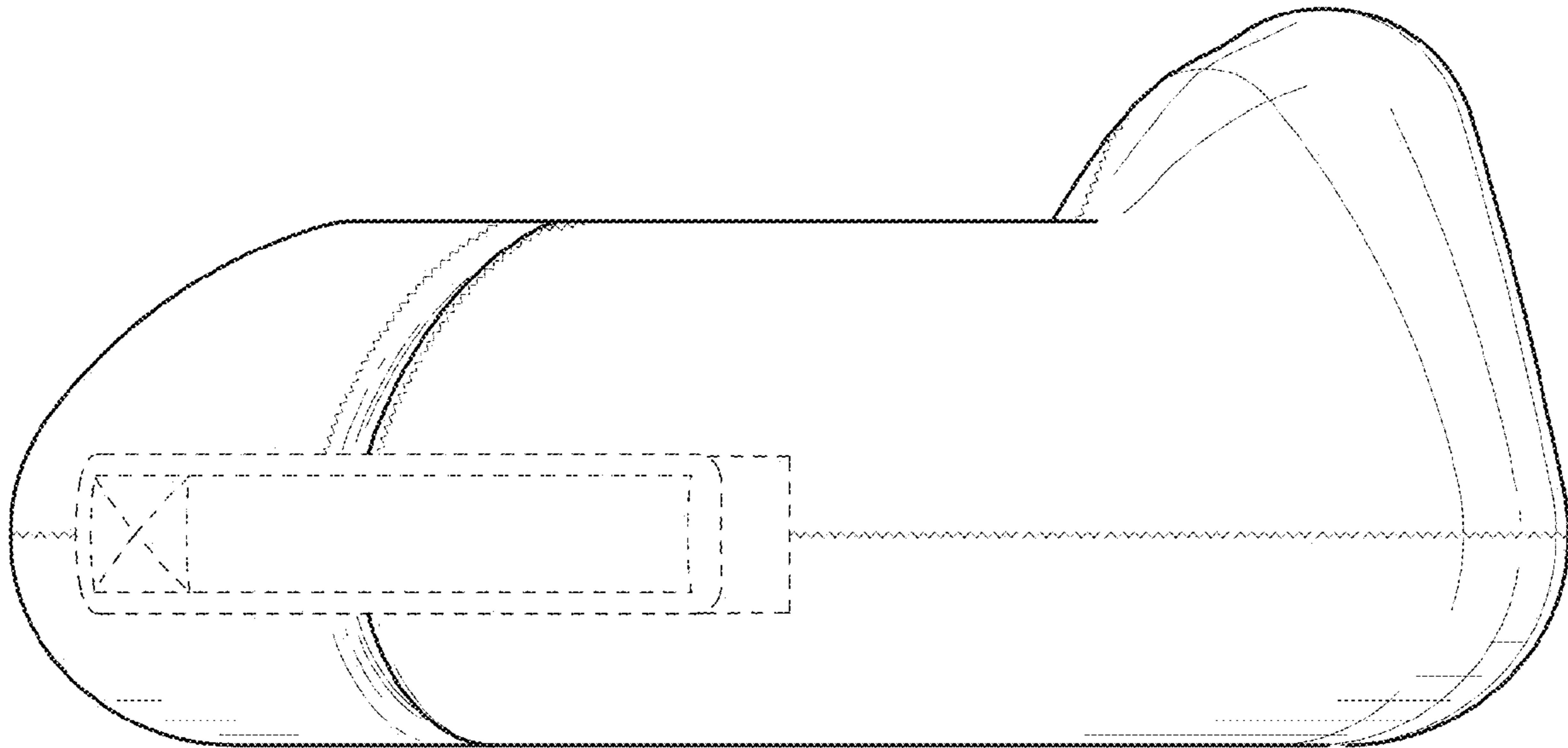


FIG. 2

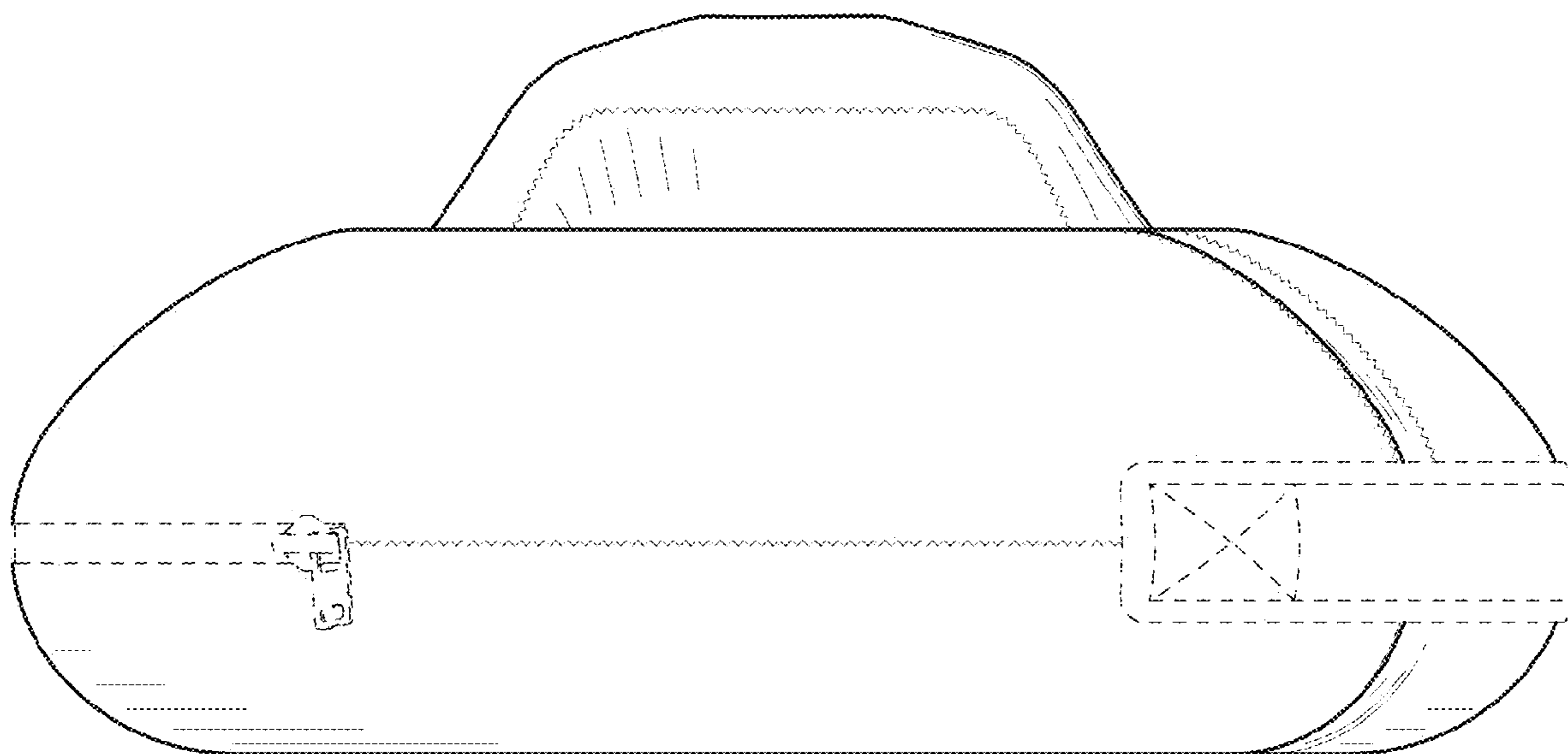


FIG. 3

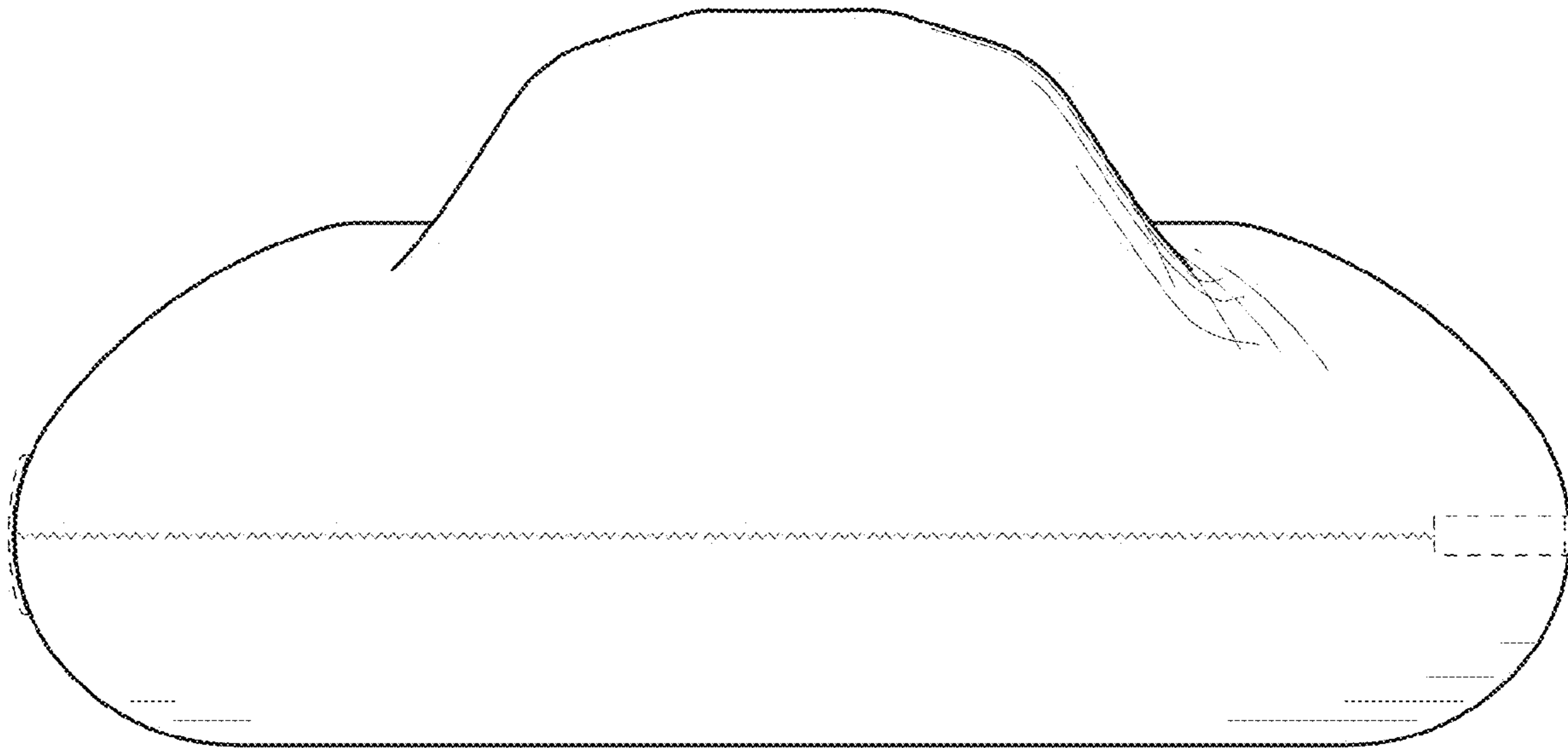


FIG. 4

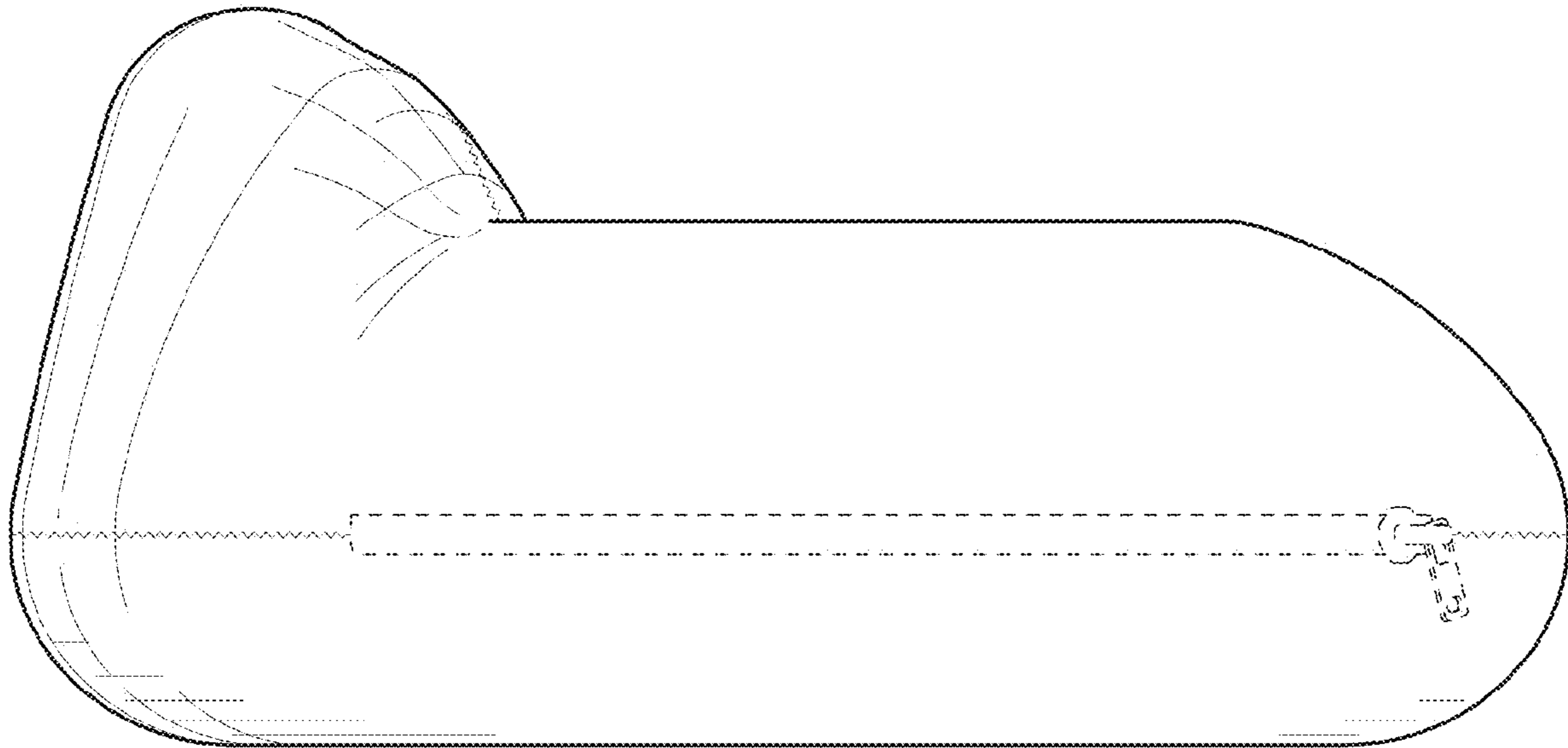


FIG. 5

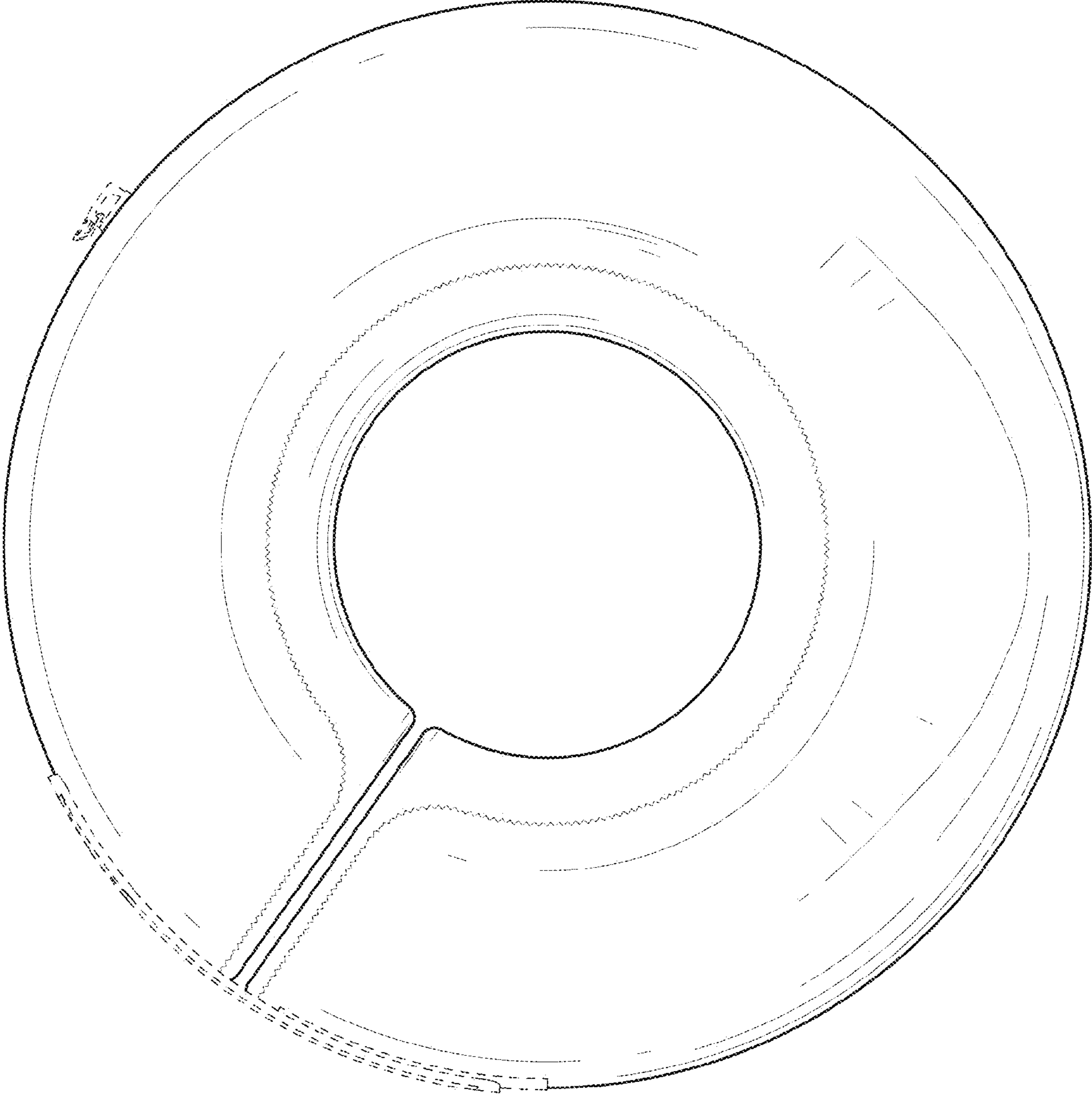


FIG. 6

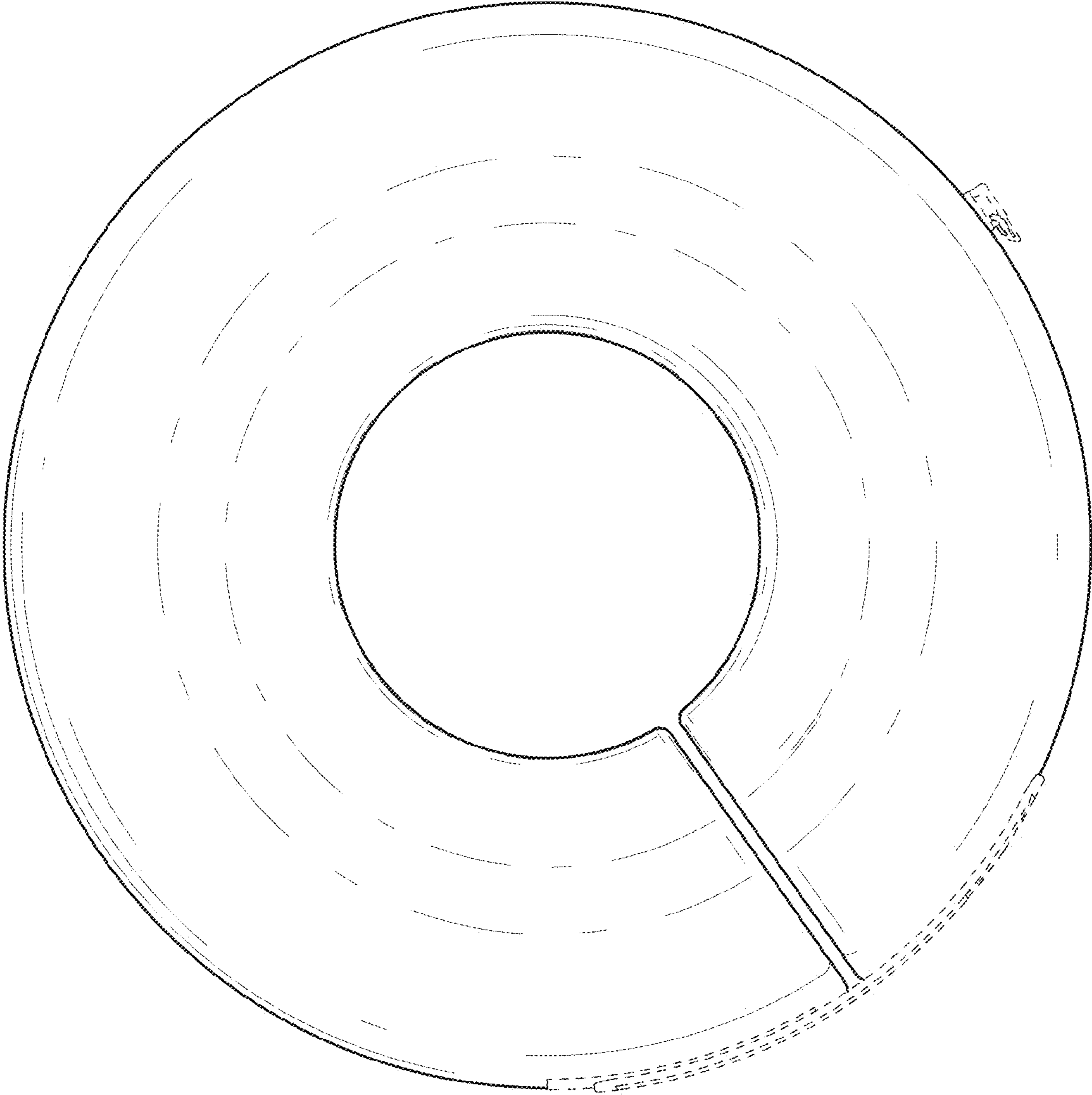


FIG. 7