

US00D897728S

(12) **United States Design Patent** (10) **Patent No.:** **US D897,728 S**
Burriss et al. (45) **Date of Patent:** **** Oct. 6, 2020**

- (54) **MATTRESS TOPPER**
- (71) Applicant: **WestPoint Home LLC**, New York, NY (US)
- (72) Inventors: **Martha Burriss**, Clemson, SC (US);
Jud Lusk, Clemson, SC (US)
- (73) Assignee: **WESTPOINT HOME LLC**, New York, NY (US)
- (**) Term: **15 Years**
- (21) Appl. No.: **29/567,827**
- (22) Filed: **Jun. 13, 2016**
- (51) **LOC (12) Cl.** **06-09**
- (52) **U.S. Cl.**
USPC **D6/596**
- (58) **Field of Classification Search**
USPC D6/582-583, 587-592, 595-609,
D6/617-622; D2/719; D21/801, 809
CPC A47G 9/00; A47G 2009/001; A47G
2009/002; A47G 2009/003; A47G
2009/005; A47G 2009/006; A47G 9/02;
A47G 9/0215; A47G 9/0223; A47G
9/023; A47G 9/0238; A47G 9/06; A47G
9/062; A47G 9/066; A47G 9/068; A47G
9/0248; A47G 9/08; A47G 9/04; A47G
11/002; A47G 11/001; A47G 11/003
See application file for complete search history.

(56) **References Cited**

U.S. PATENT DOCUMENTS

- 2,660,735 A * 12/1953 Baum A47C 27/127
5/484
- 5,035,017 A * 7/1991 Komuro A47C 27/144
5/693
- D318,772 S * 8/1991 Phillips 5/419
- D336,400 S * 6/1993 Mitchell 5/736

- D352,634 S * 11/1994 Canning 5/736
- D365,485 S * 12/1995 Rossman D6/596
- D380,921 S * 7/1997 Ruscitti 5/693
- D407,670 S * 4/1999 Muhanna D12/128
- D417,355 S * 12/1999 Denney 5/736
- D419,817 S * 2/2000 Morimoto D6/596
- D421,358 S * 3/2000 Henson D6/595
- D475,566 S * 6/2003 Boso D6/604
- D486,343 S * 2/2004 Feuer D6/596

(Continued)

Primary Examiner — Jennifer L Rempfer

(74) Attorney, Agent, or Firm — Seyfarth Shaw; Jamaica Szeliga

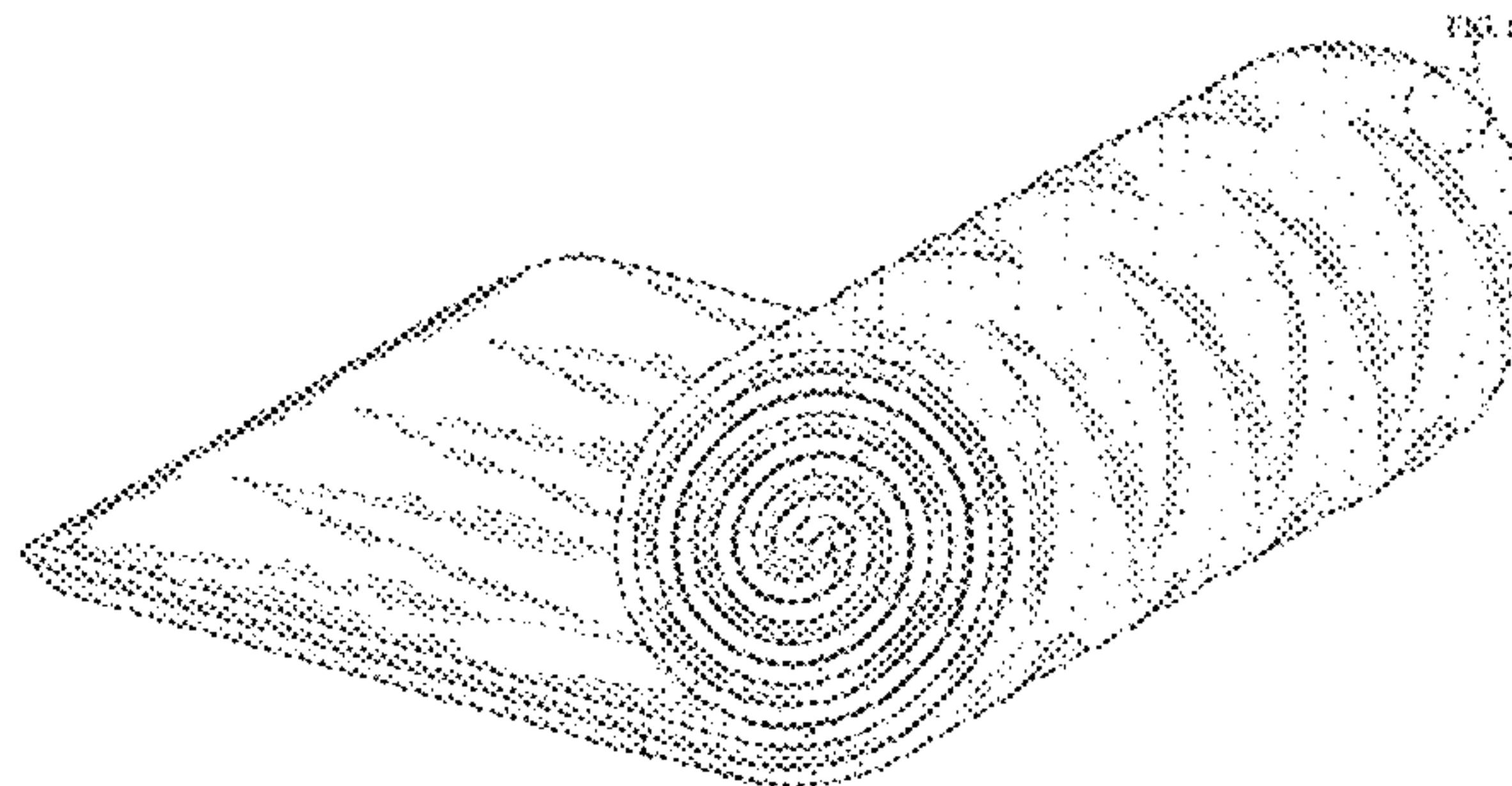
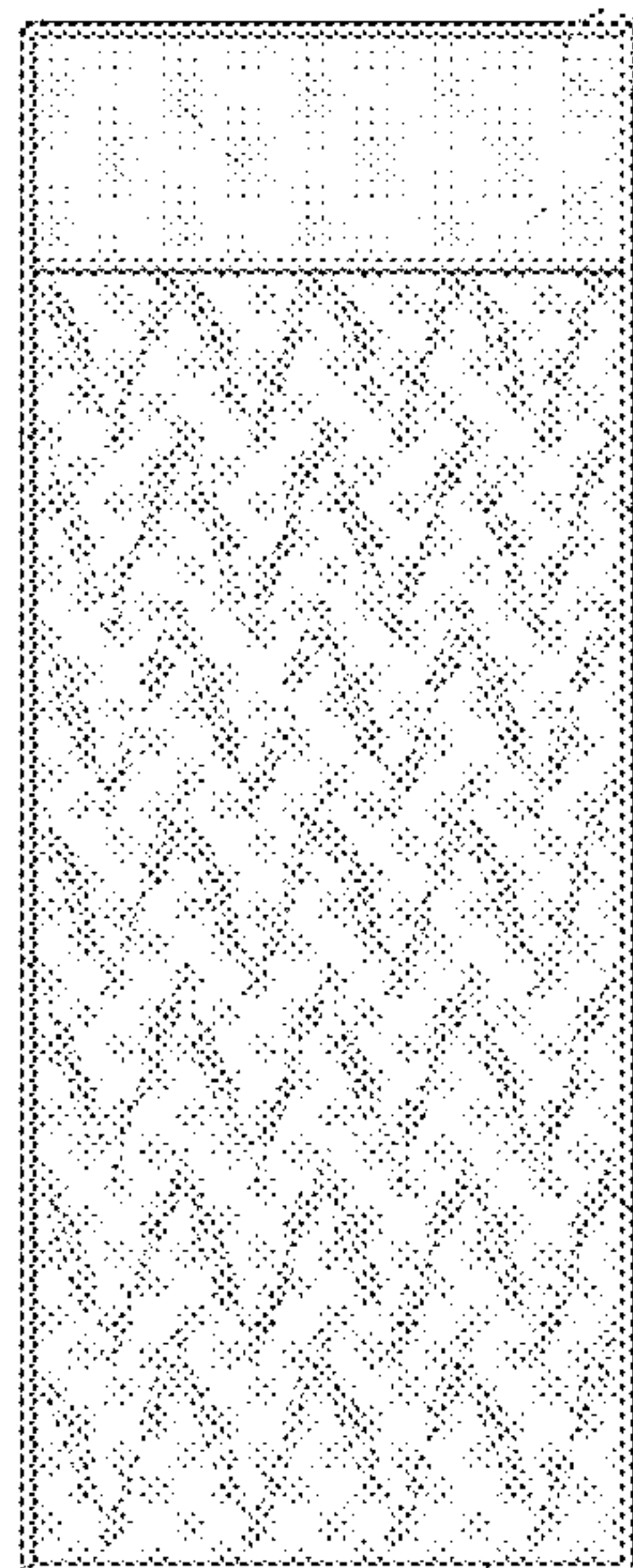
(57) **CLAIM**

The design for a lie-flat mattress pad, as shown and described.

DESCRIPTION

FIG. 1 is a front view of the mattress pad showing the new design, lying flat.
 FIG. 2 is a detail of the bottom corner of the front view of the mattress pad depicted in FIG. 1.
 FIG. 3 is a back view of the mattress pad of FIG. 1, lying flat.
 FIG. 4 is a detail of the top corner of the back view of the mattress pad depicted in FIG. 3.
 FIG. 5 is a perspective view of the mattress pad depicted in FIG. 1, partially rolled up.
 FIG. 6 is a detail of the back side of the mattress pad depicted in FIG. 5.
 FIG. 7 is a left side view of the mattress pad depicted in FIG. 1, rolled-up; and,
 FIG. 8 is a left side view of the mattress pad depicted in FIG. 1, rolled-up and contained within the pocket.
 A view of the right side has been omitted since the right side view is identical to the left side view.
 Broken lines shown in the drawings are for the purpose of illustrating environmental structure or to define boundaries and form no part of the claimed design.

1 Claim, 8 Drawing Sheets



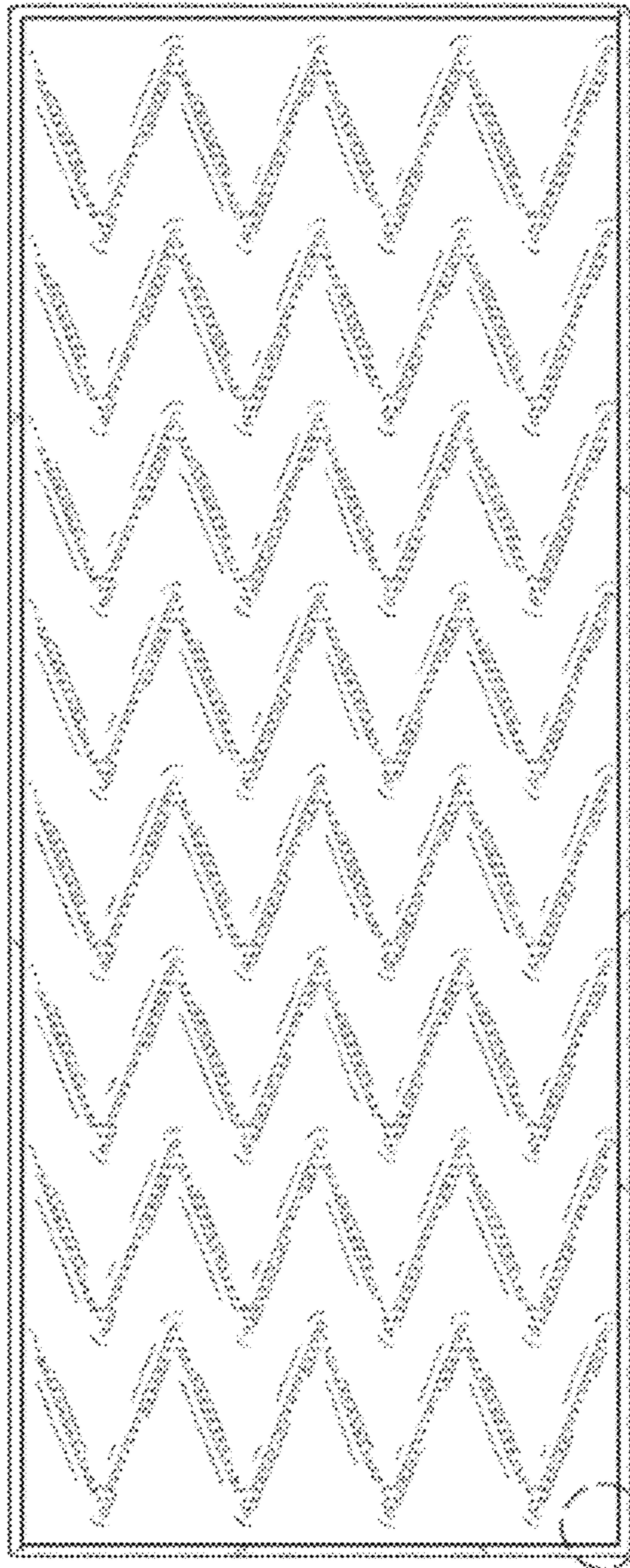


FIG. 2

FIG. 1

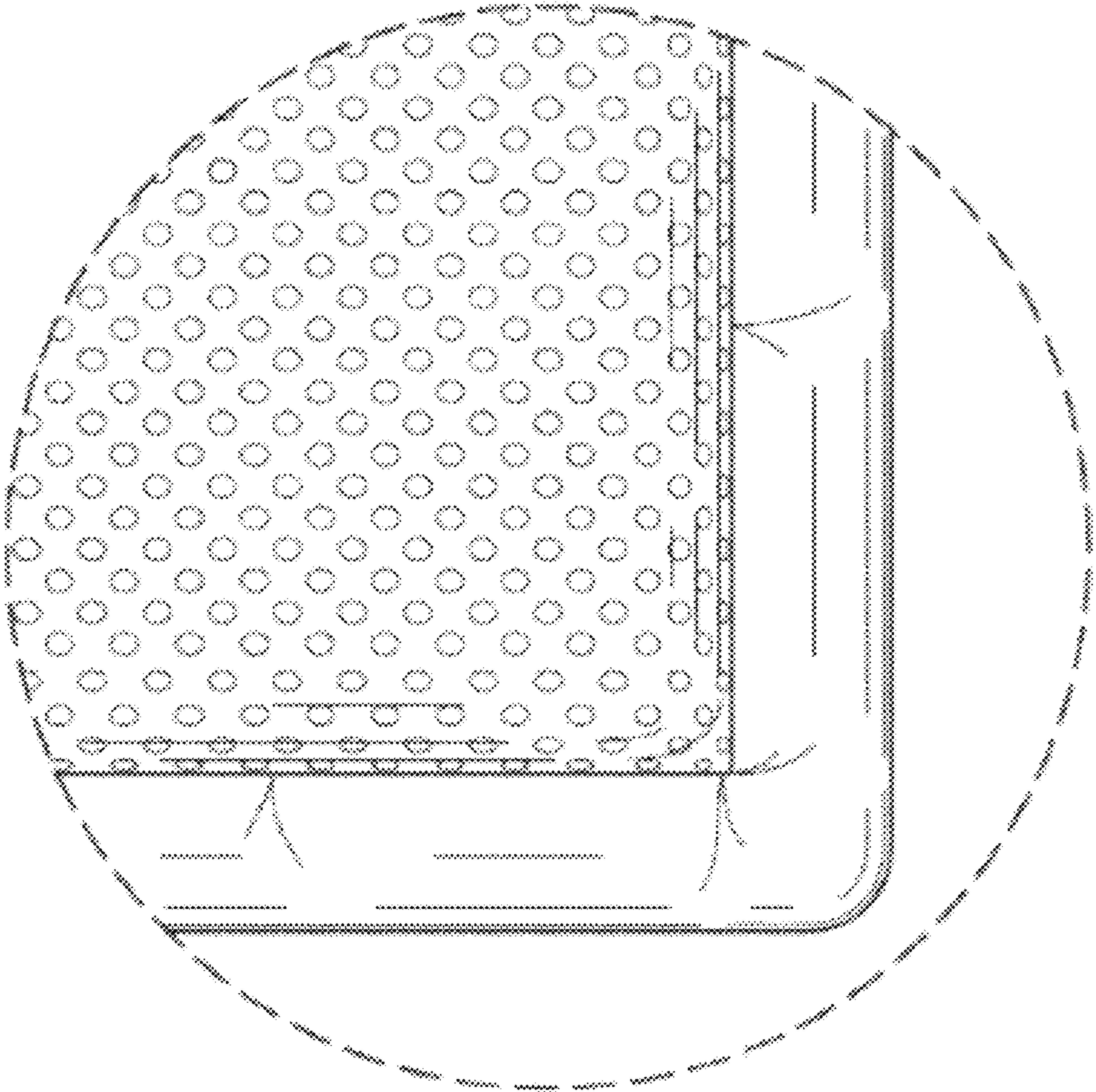


FIG. 2

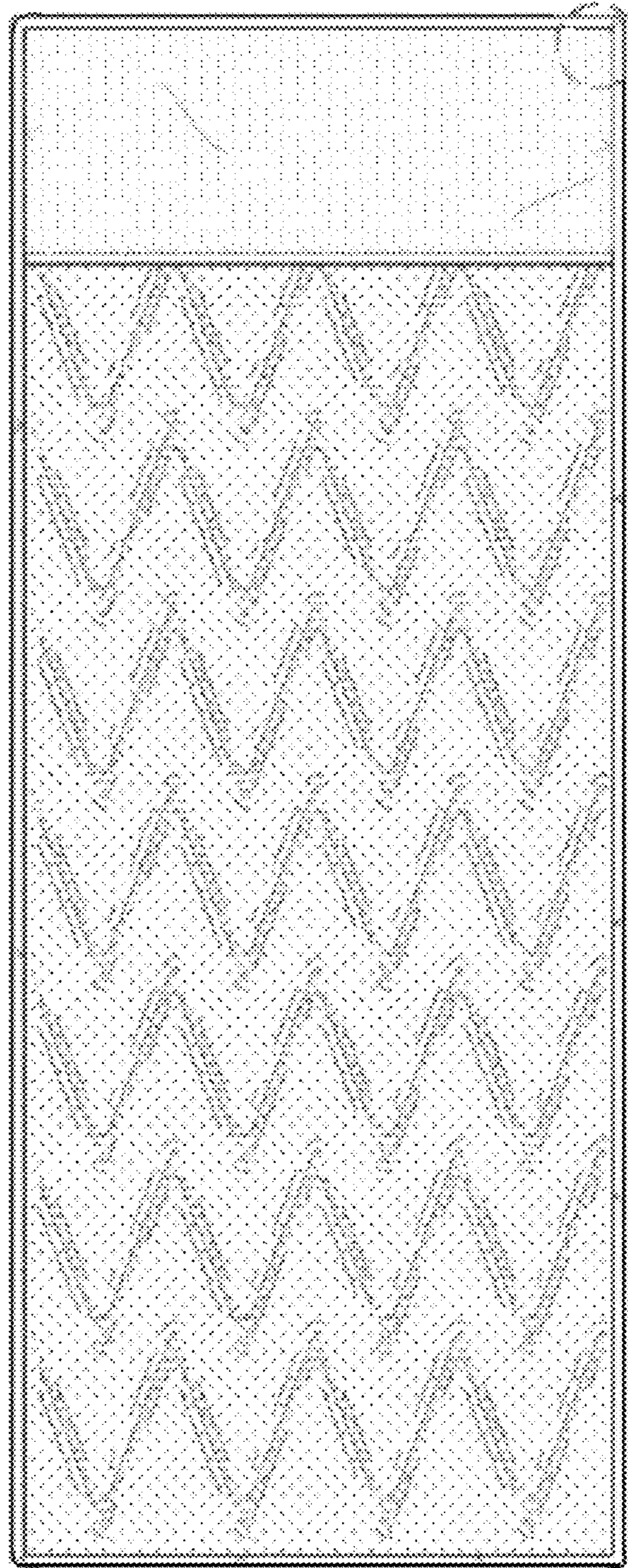


FIG. 4

FIG. 3

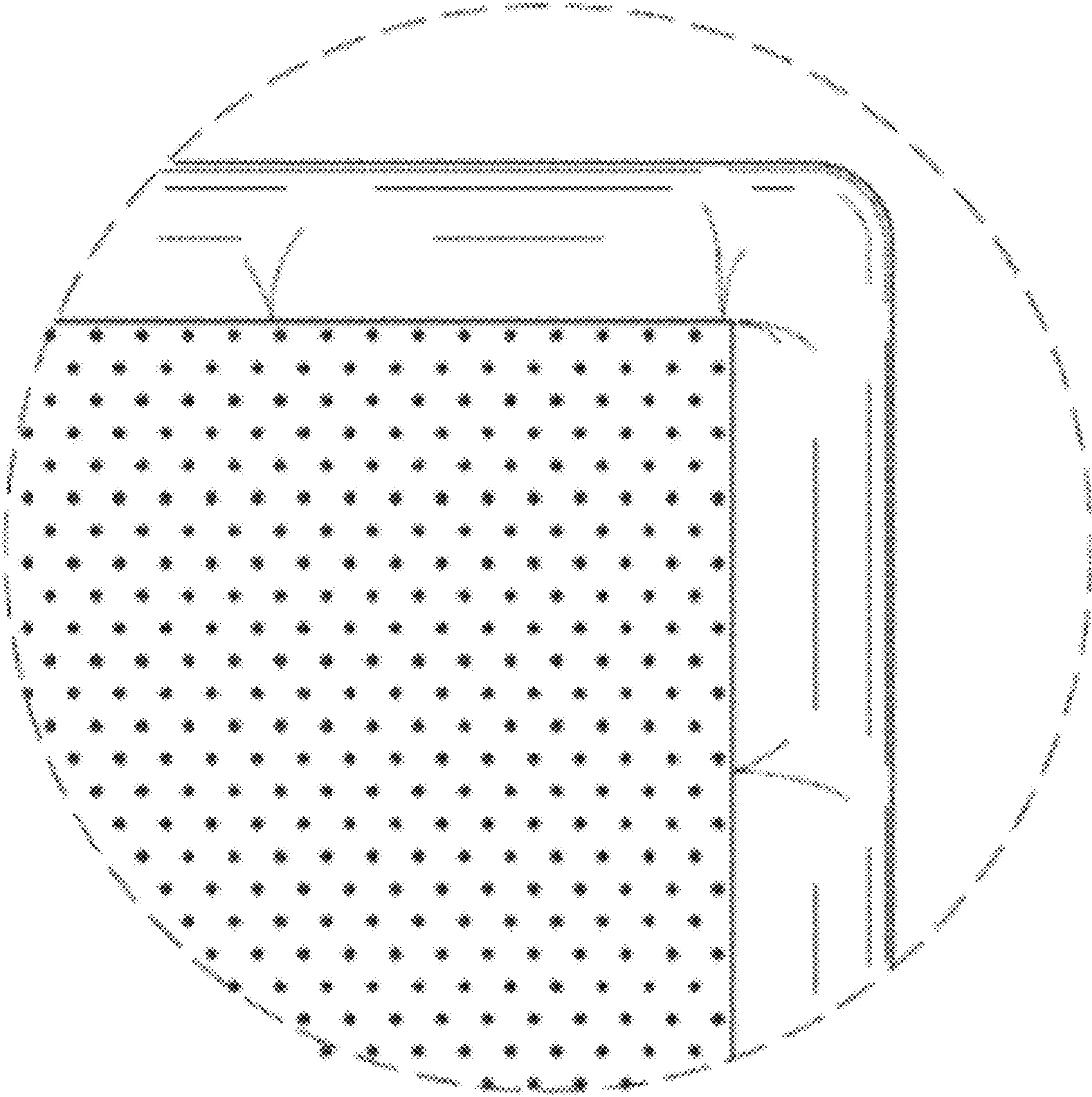


FIG. 4

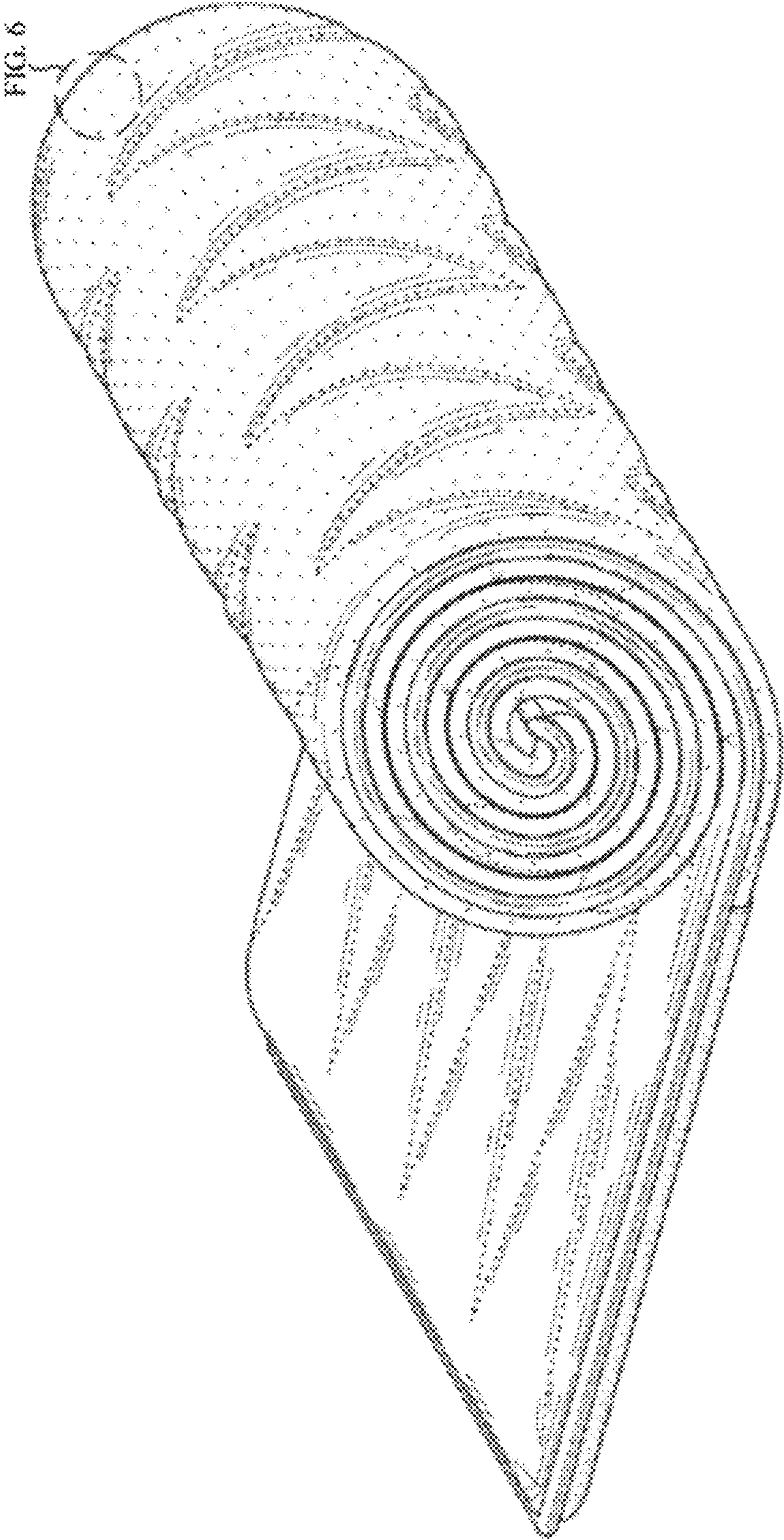


FIG. 5

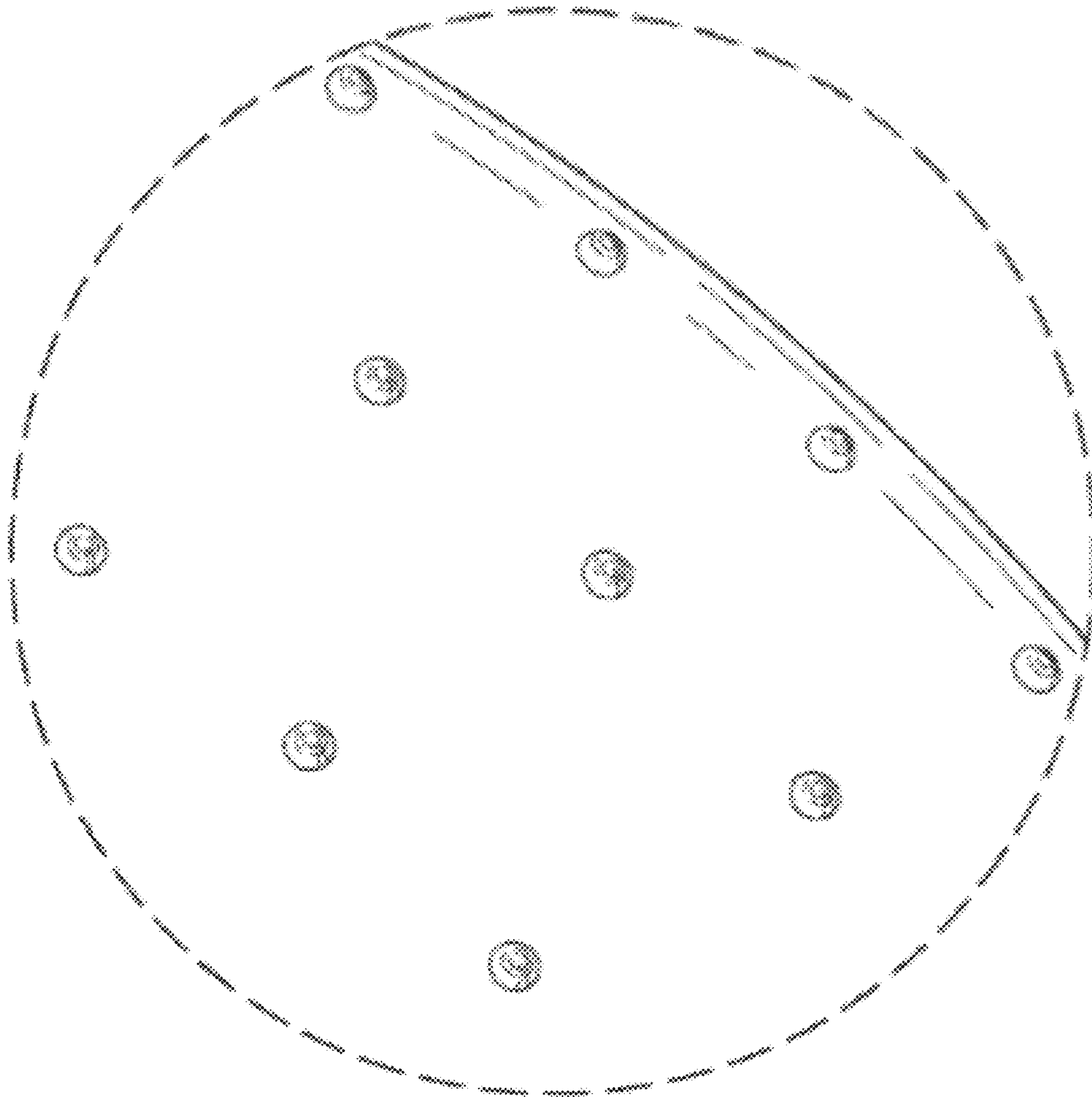


FIG. 6

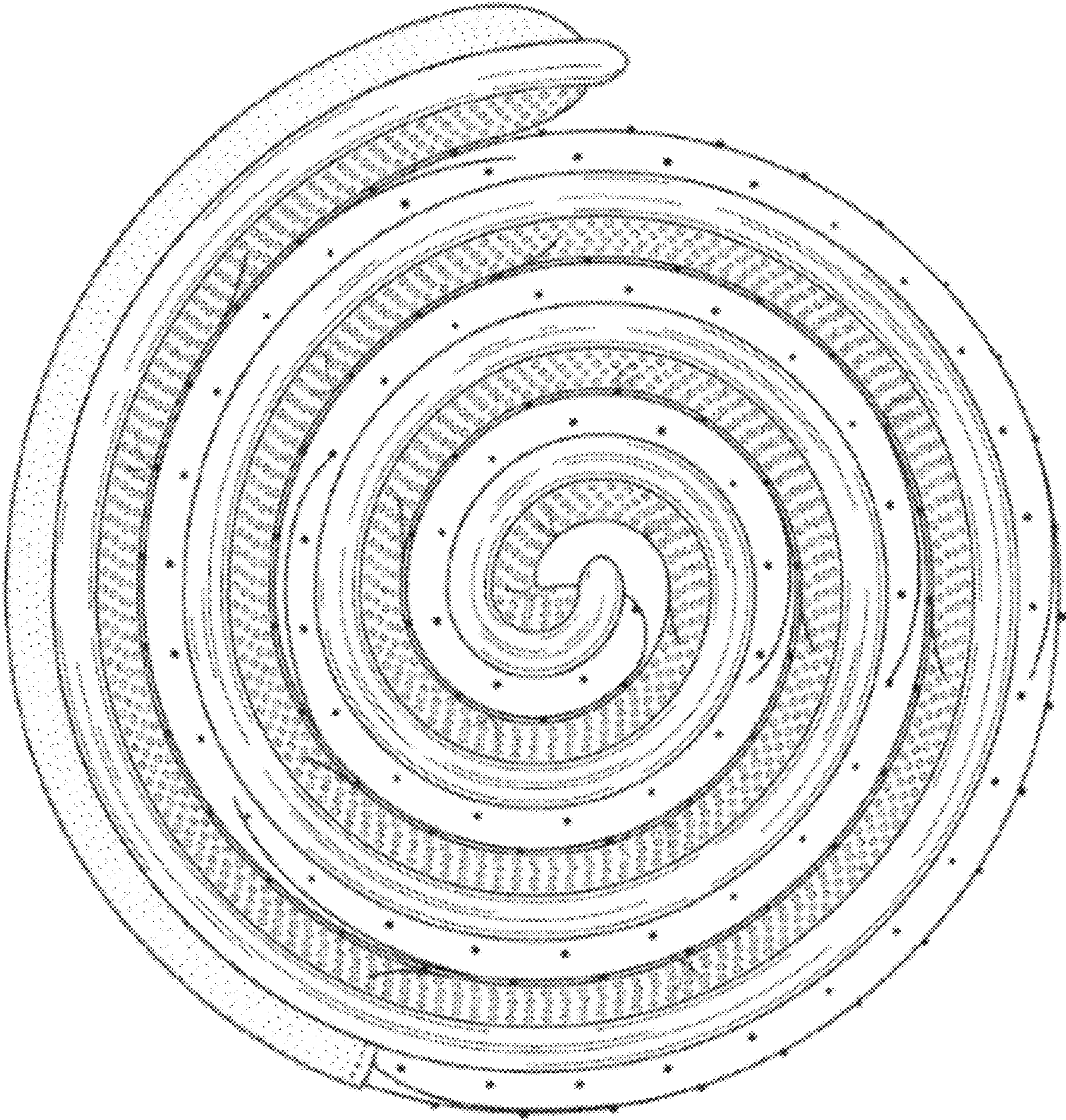


FIG. 7

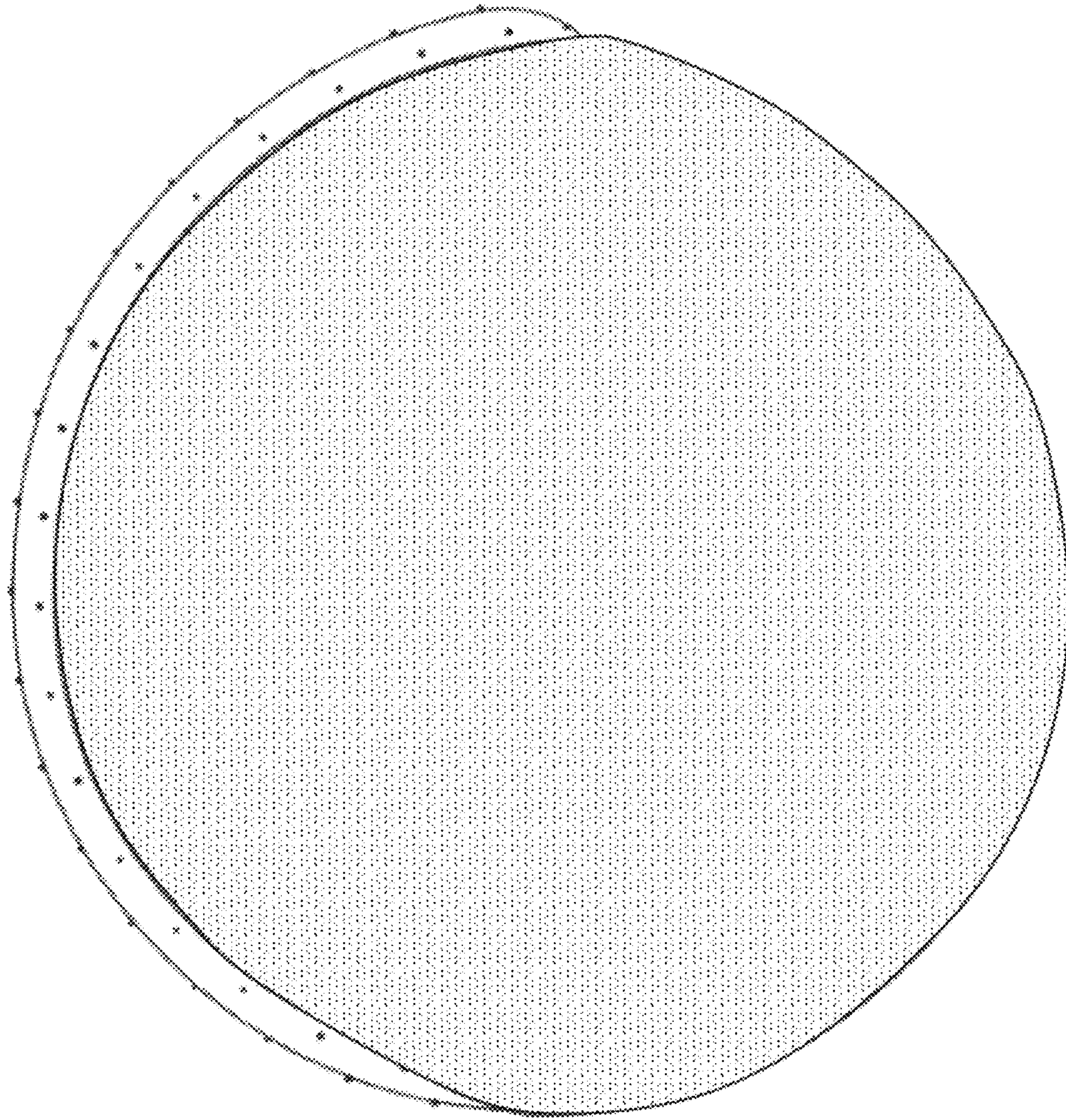


FIG. 8