



US00D897725S

(12) **United States Design Patent**
Stelmarski

(10) **Patent No.:** **US D897,725 S**

(45) **Date of Patent:** **** Oct. 6, 2020**

(54) **BRUSH, PLUNGER, AND HOLDER SET**

D776,455 S * 1/2017 Guthrie A47K 17/00
D6/524

(71) Applicant: **InterDesign, Inc.**, Solon, OH (US)

D860,555 S * 9/2019 de Martrin-Donos
A47K 17/00

(72) Inventor: **Brian Stelmarski**, Hudson, OH (US)

D878,092 S * 3/2020 Laude D32/14

(73) Assignee: **InterDesign, Inc.**, Solon, OH (US)

D889,132 S * 7/2020 Kuang D4/116

(**) Term: **15 Years**

(Continued)

(21) Appl. No.: **29/709,363**

OTHER PUBLICATIONS

(22) Filed: **Oct. 14, 2019**

Turbo Plunger and Bowl Brush Caddy Set by Mr. Clean. Sold on Amazon.com. Jan. 23, 2011. Accessed on Jun. 8, 2020. (Year : 2011).*

(Continued)

Related U.S. Application Data

(63) Continuation of application No. 29/549,424, filed on Dec. 22, 2015, now Pat. No. Des. 863,819, which is a continuation of application No. 29/460,619, filed on Jul. 12, 2013, now Pat. No. Des. 746,604, which is a continuation-in-part of application No. 29/449,963, filed on Mar. 15, 2013, now Pat. No. Des. 747,102.

Primary Examiner — Eric L Goodman

Assistant Examiner — Clare Ann Gannon

(74) *Attorney, Agent, or Firm* — Calfee Halter & Griswold LLP

(51) **LOC (12) Cl.** **32-02**

(52) **U.S. Cl.**

USPC **D6/551**; D32/14; D6/524

(58) **Field of Classification Search**

USPC D4/121, 137; D6/524, 551; D32/35, 45, D32/14

CPC A47G 29/08; A47K 17/00

See application file for complete search history.

(57)

CLAIM

I claim the ornamental design for a brush, plunger, and holder set, as shown and described.

DESCRIPTION

FIG. 1 is a front/left/top perspective view of a brush, plunger, and holder set (a front/right/top perspective view would be a mirror image thereof);

FIG. 2 is a rear/right/top perspective view thereof (a rear/left/top perspective view would be a mirror image thereof);

FIG. 3 is a top plan view thereof;

FIG. 4 is a bottom plan view thereof;

FIG. 5 is a left side elevational view thereof;

FIG. 6 is a rear elevational view thereof; and,

FIG. 7 is a front elevational view thereof.

The broken lines immediately adjacent the shaded areas represent the bounds of the claimed design. All other broken lines are directed to environment and form no part of the claimed design.

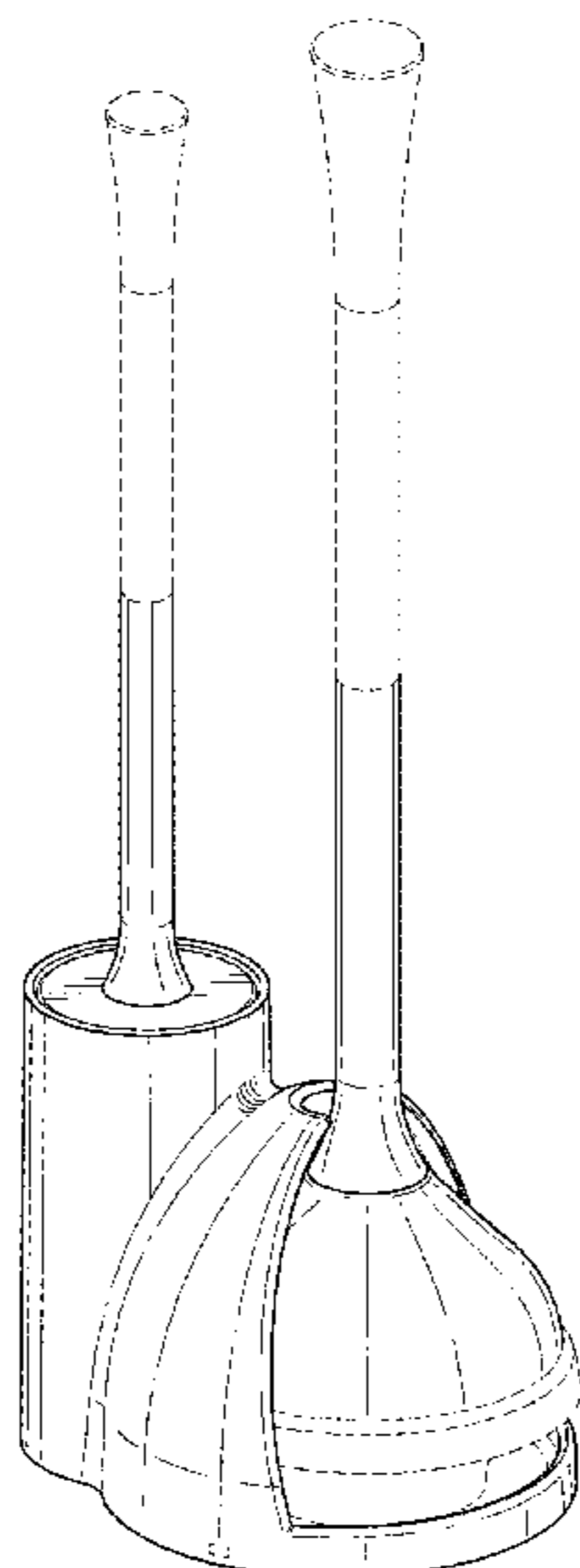
(56)

References Cited

U.S. PATENT DOCUMENTS

D493,994 S *	8/2004	Belt	D6/551
D515,858 S *	2/2006	Hay	D6/524
D525,467 S *	7/2006	Michelson	D6/524
D526,150 S *	8/2006	Lai	D6/524
D574,116 S *	7/2008	Yang	D32/14
D576,801 S *	9/2008	Dretzka	D4/116
D589,734 S *	4/2009	Weis	D6/551
D688,488 S *	8/2013	Wang	D6/524
D690,959 S *	10/2013	Yang	D6/524

1 Claim, 4 Drawing Sheets



(56)

References Cited

U.S. PATENT DOCUMENTS

2005/0173277 A1* 8/2005 Rich A47K 17/00
206/349
2008/0156680 A1* 7/2008 Lai A47K 17/00
206/361
2012/0000013 A1* 1/2012 Duboc E03D 9/00
4/223
2016/0000281 A1* 1/2016 Butts A47K 17/00
206/581

OTHER PUBLICATIONS

Compact Plastic Toilet Bowl Brush and Plunger Combo Set by
mDesign. Sold on Amazon.com. Sep. 10, 2018. Accessed on Jun. 8,
2020. (Year: 2018).*

* cited by examiner

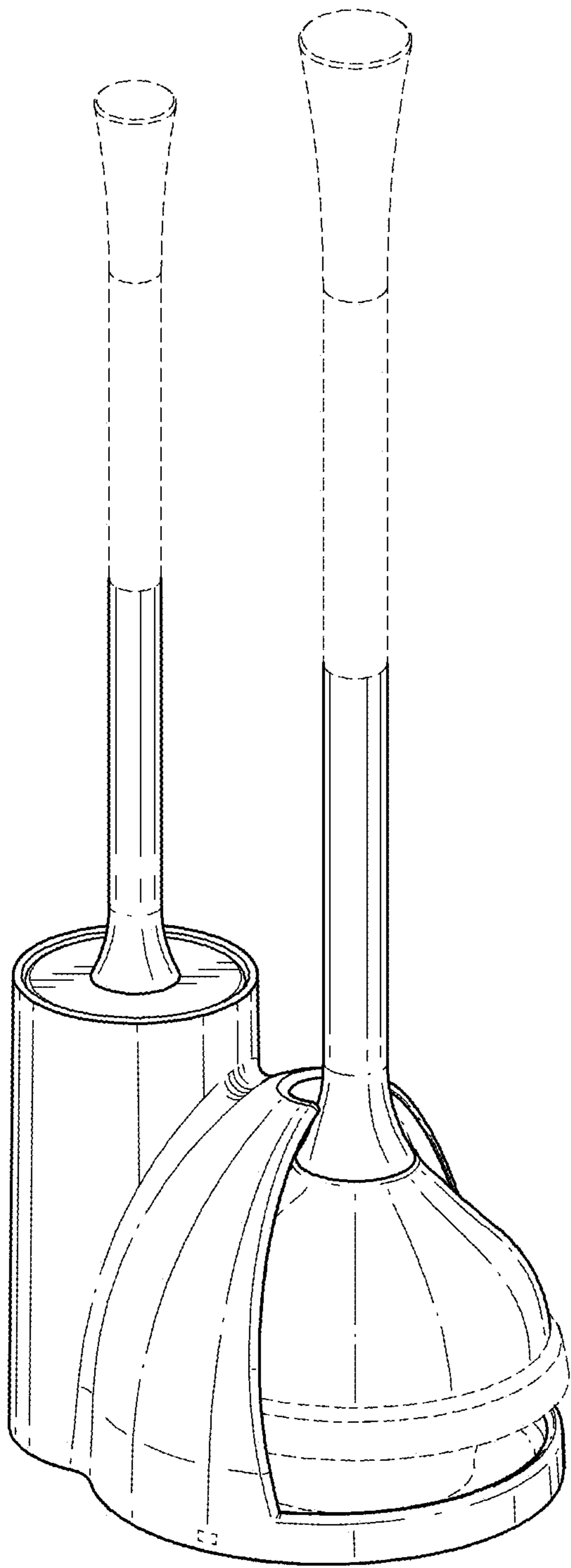


FIG. 1

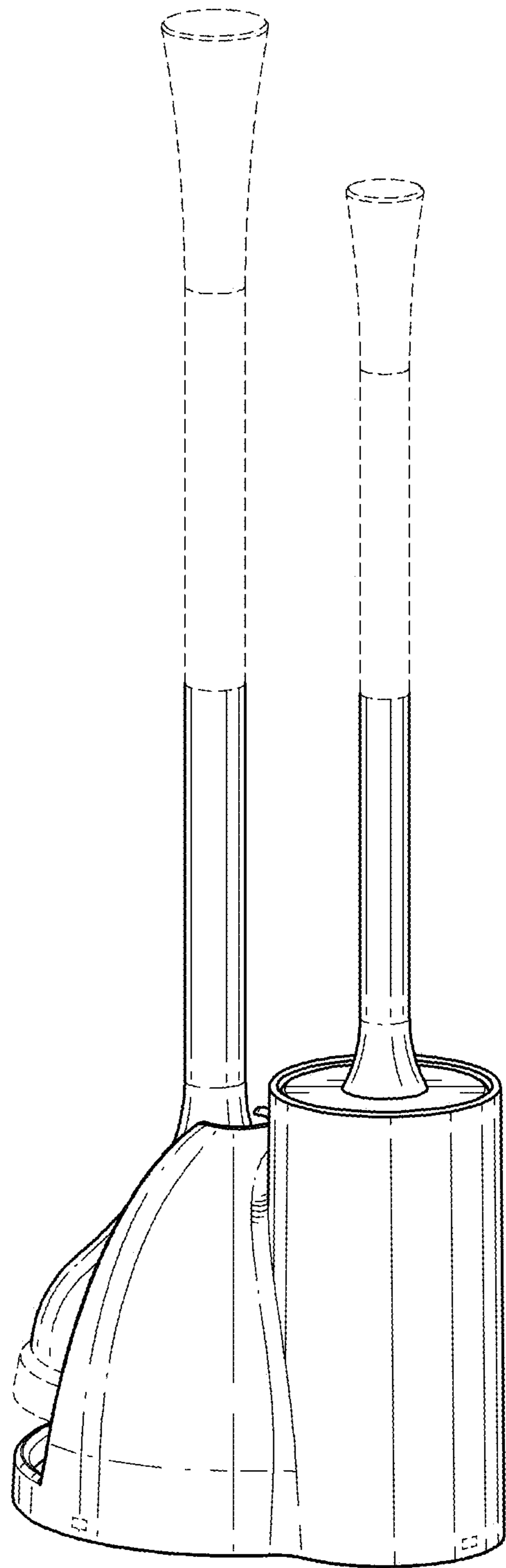


FIG. 2

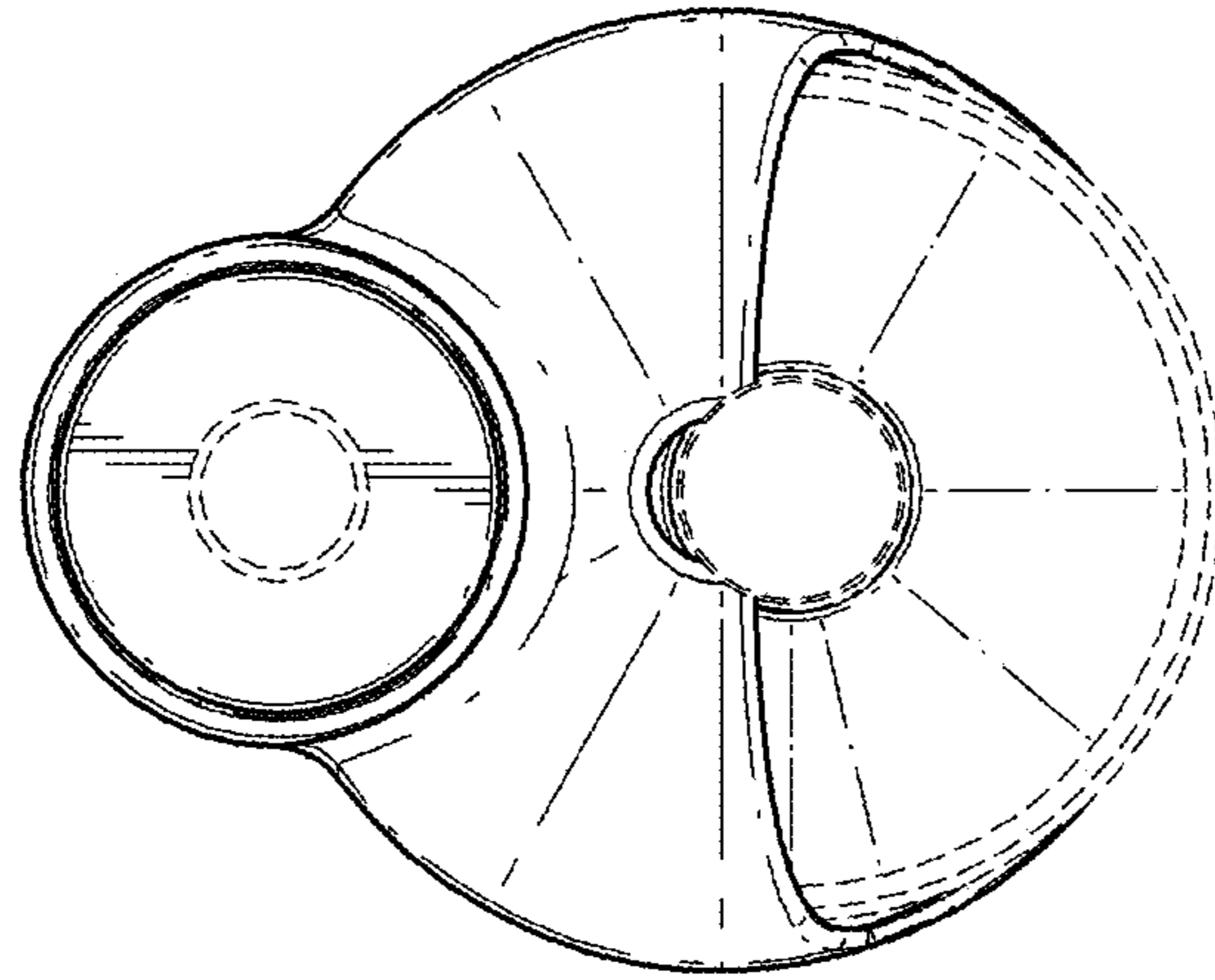


FIG. 3

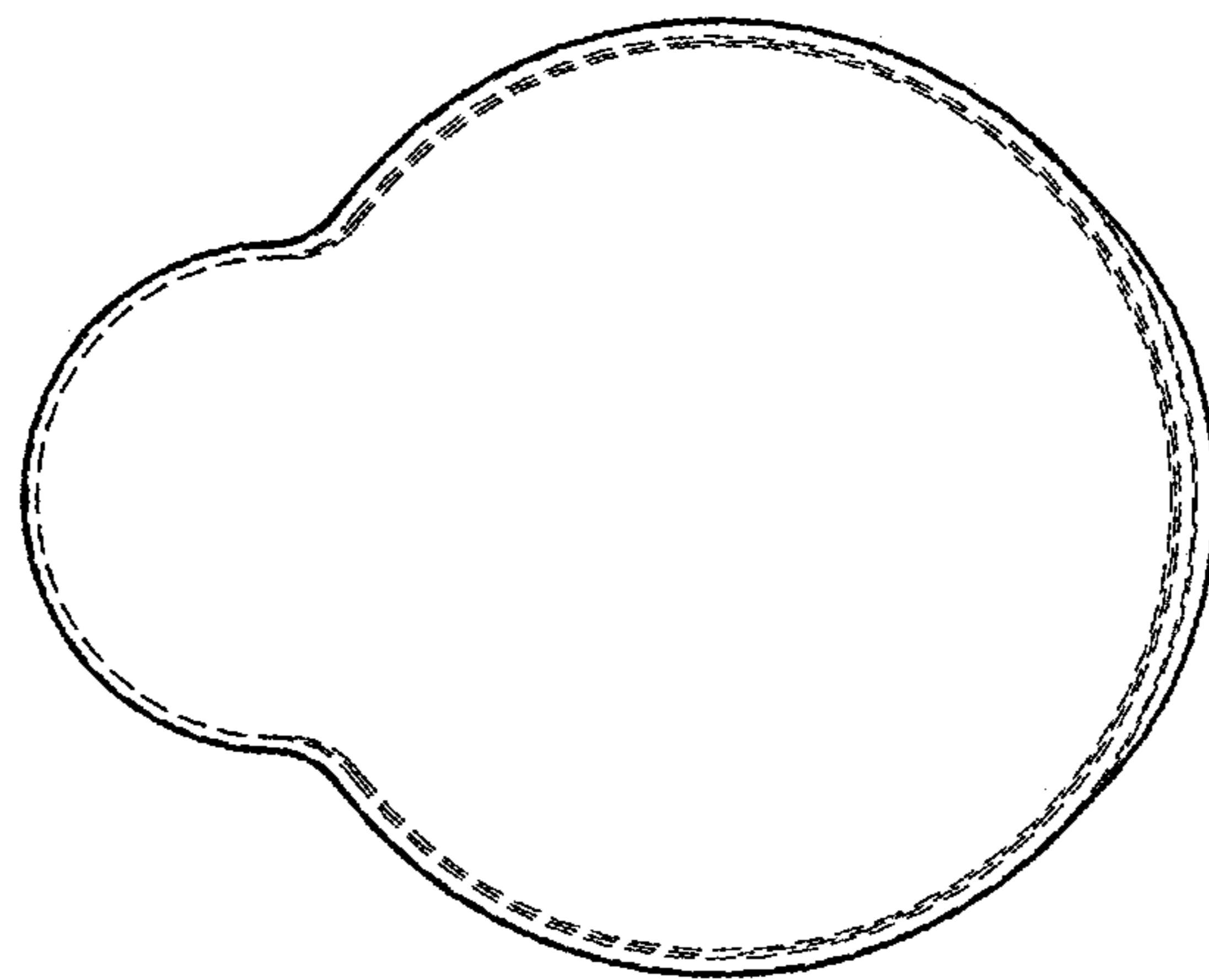


FIG. 4

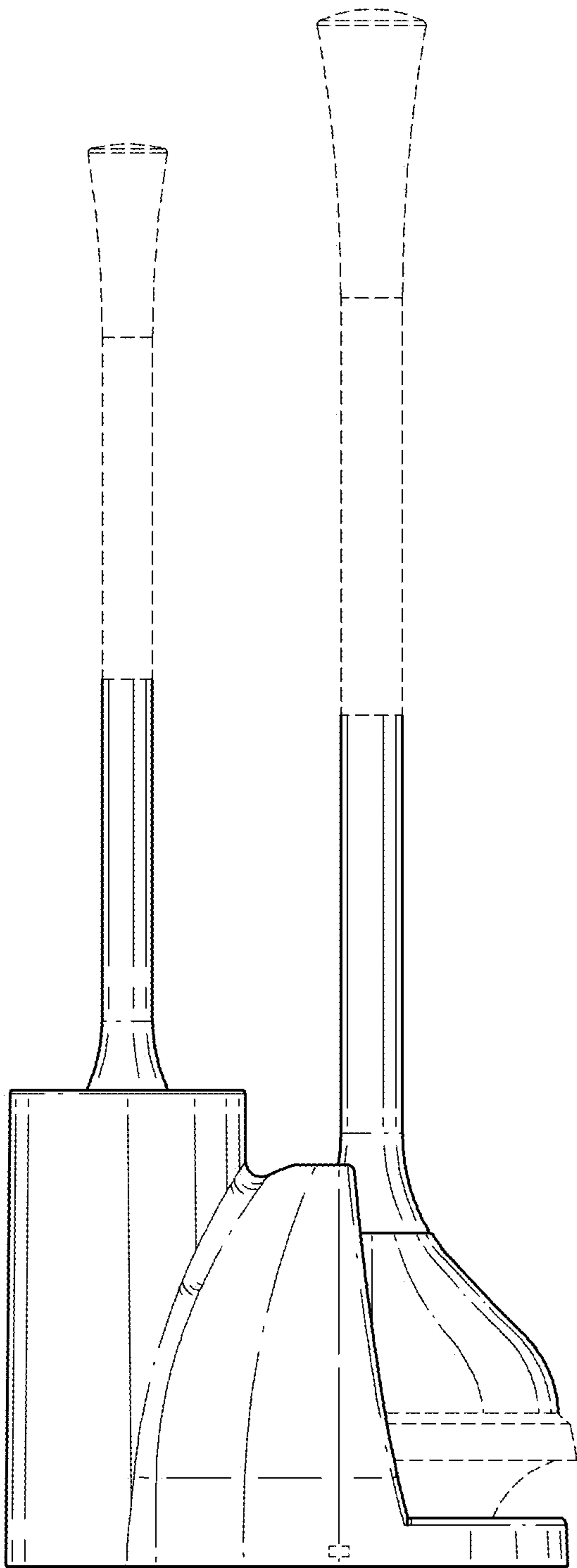


FIG. 5

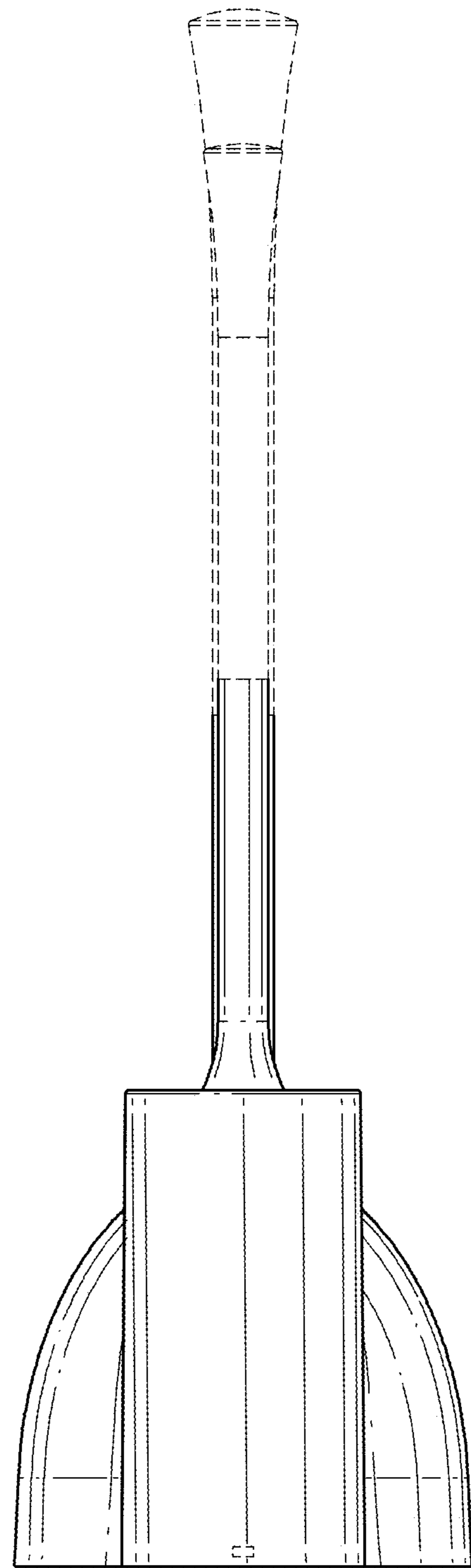


FIG. 6

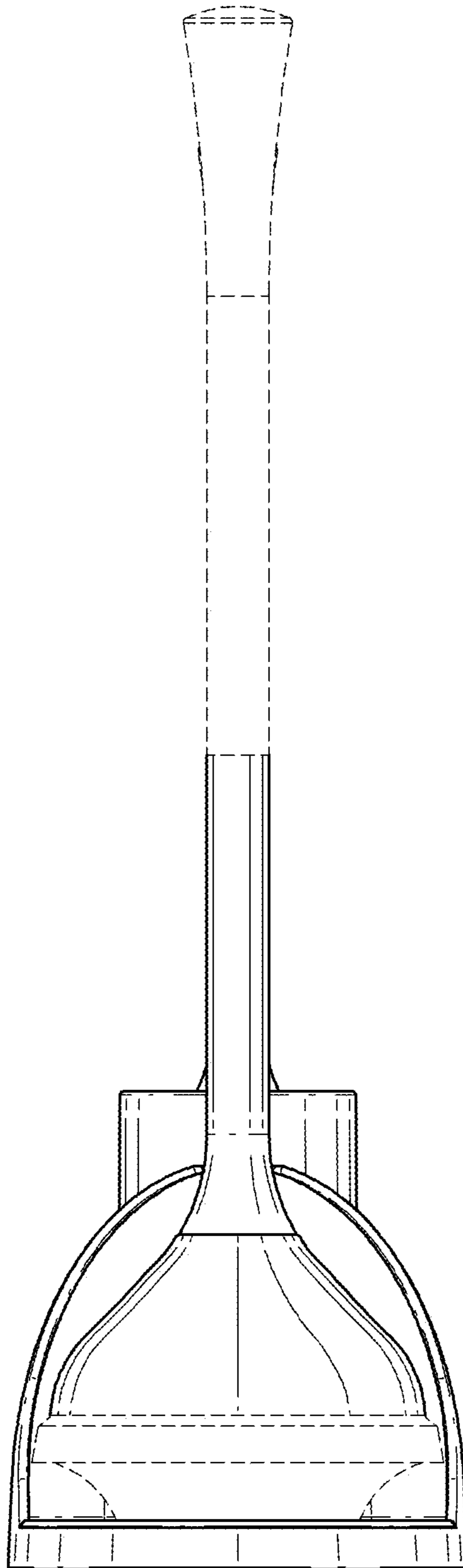


FIG. 7