



US00D897723S

(12) **United States Design Patent** (10) **Patent No.:** **US D897,723 S**
Sisto (45) **Date of Patent:** **** Oct. 6, 2020**

(54) **BATHROOM ACCESSORY**
(71) Applicant: **Salvatore Sisto**, Bradley Beach, NJ (US)
(72) Inventor: **Salvatore Sisto**, Bradley Beach, NJ (US)
(**) Term: **15 Years**
(21) Appl. No.: **29/682,732**
(22) Filed: **Mar. 7, 2019**
(51) **LOC (12) Cl.** **23-02**
(52) **U.S. Cl.**
USPC **D6/549**
(58) **Field of Classification Search**
USPC D6/523, 546, 518, 519, 524, 547-550;
D8/300, 315, 370; 108/28, 29; 211/13.1,
211/16, 85.5, 86.01, 87.01, 88.04, 100,
211/105.1, 105.2, 105.3, 106, 113, 123,
211/181.1, 182, 183; 242/570, 590, 595,
242/598; 248/49, 175, 176.1, 200, 201,
248/205.1, 251, 302, 309.1, 315;
222/173, 180, 281-282
CPC ... A47K 10/40; A47K 10/38; A47K 2010/324
See application file for complete search history.

D516,850 S * 3/2006 Shieh D6/549
D517,360 S 3/2006 Chen
D518,323 S 4/2006 Qu et al.
D518,324 S 4/2006 Qu et al.
D518,987 S 4/2006 Lau et al.
D528,335 S 9/2006 Fuchs
D540,597 S * 4/2007 Hoernig D6/549
D543,710 S 6/2007 Krumpe et al.
D554,403 S 11/2007 Xiao
(Continued)

(56) **References Cited**
U.S. PATENT DOCUMENTS
D329,559 S 9/1992 Paul
D361,006 S * 8/1995 Sharpe D6/523
D390,397 S 2/1998 Chen
D449,952 S * 11/2001 Lyndon D6/549
D450,566 S 11/2001 Gottwald
D452,400 S 12/2001 Chen
D465,956 S * 11/2002 Ouyoung D6/524
D478,447 S * 8/2003 Hoernig D6/549
D478,448 S * 8/2003 Hoernig D6/549
D481,569 S 11/2003 Cummings
D484,722 S 1/2004 Goodman
D492,530 S * 7/2004 Chen D6/549

OTHER PUBLICATIONS

Kohler, Composed Pivoting Toilet Tissue Holder, K-73147, pp. 1-3;
<https://www.us.kohler.com/us/composed-pivoting-toilet-tissue-holder/productDetail/tissue-holders/1252778.htm?skuId=1252766&brandId=1266166>.

(Continued)

Primary Examiner — Wan Laymon
Assistant Examiner — Mark Booker
(74) *Attorney, Agent, or Firm* — Belles Katz LLC

(57) **CLAIM**

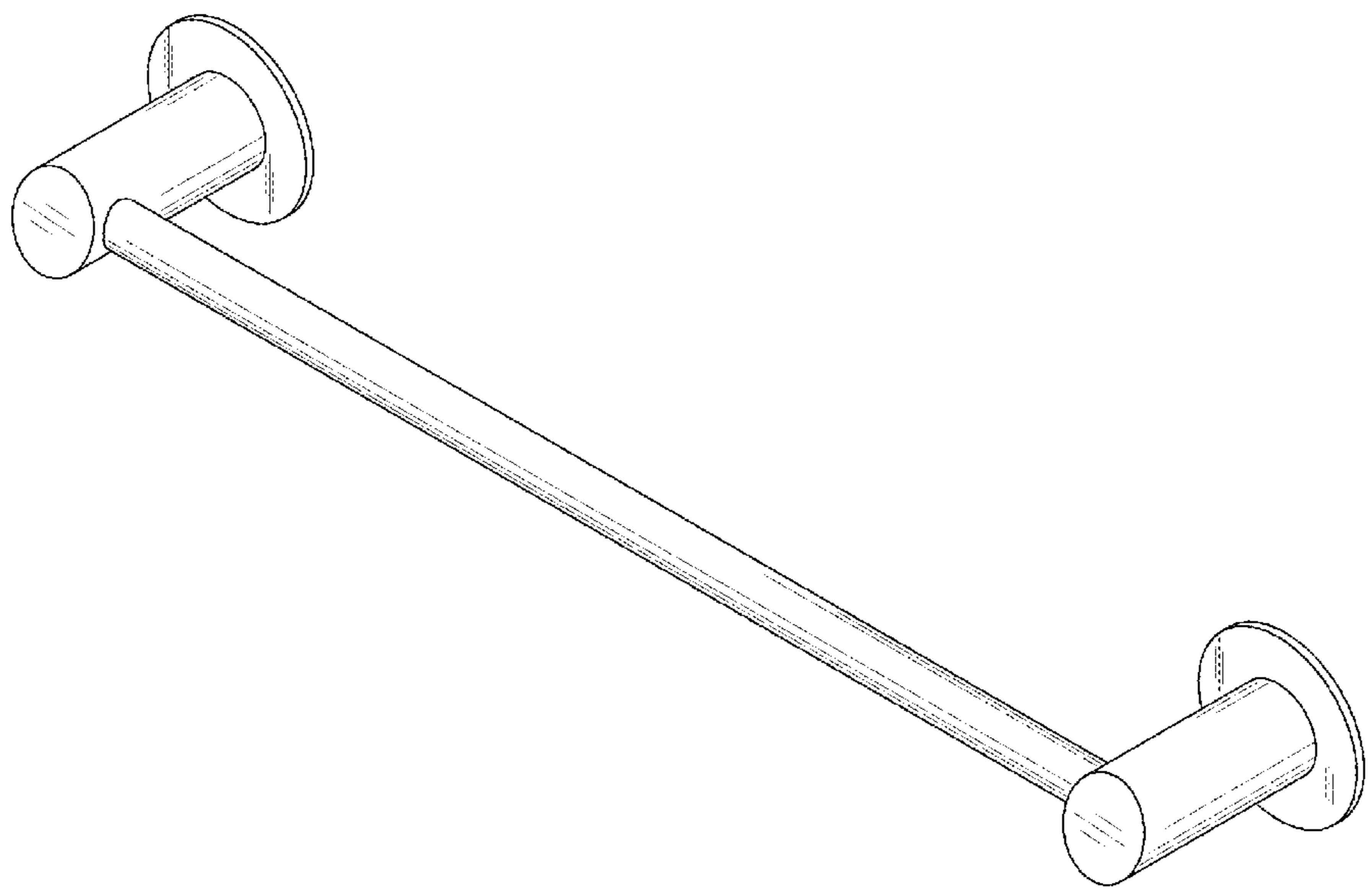
The ornamental design for a bathroom accessory, as shown and described.

DESCRIPTION

FIG. 1 is a front perspective view of a bathroom accessory according to the new design;
FIG. 2 is a rear perspective view thereof;
FIG. 3 is a front view thereof;
FIG. 4 is a rear view thereof;
FIG. 5 is a left side view thereof;
FIG. 6 is a right side view thereof;
FIG. 7 is a top view thereof; and,
FIG. 8 is a bottom view thereof.

The broken lines in the drawings illustrate portions of the bathroom accessory that form no part of the claimed design.

1 Claim, 8 Drawing Sheets



(56)

References Cited

U.S. PATENT DOCUMENTS

D557,049 S 12/2007 Sedwick et al.
D569,670 S 5/2008 Chen
D577,938 S 10/2008 Krumpe
D606,789 S * 12/2009 Krumpe D6/523
D639,590 S 6/2011 Sakuma
D836,945 S * 1/2019 Rutgers D6/549
D879,500 S * 3/2020 Liu D6/549

OTHER PUBLICATIONS

Kohler, Composed 18-Inch Towel Bar, K-73141, pp. 1-3; <https://www.us.kohler.com/us/composed-18-in-towel-bar/productDetail/towel-bars/1252772.htm?skuId=1252760&brandId=1266166>.
Kohler, Composed Hotelier, K-73157, pp. 1-3; <https://www.us.kohler.com/us/composed-hotelier/productDetail/towel-bars/1252782.htm?skuId=1252770&brandId=1266166>.

Kohler, Composed 24-Inch Towel Bar, K-73142, pp. 1-3; <https://www.us.kohler.com/us/composed-24-in-towel-bar/productDetail/towel-bars/1252773.htm?skuId=1252761&brandId=1266166>.
Kohler, Composed Vertical Toilet Tissue Holder, K-73148, pp. 1-3; <https://www.us.kohler.com/us/composed-vertical-toilet-tissue-holder/productDetail/tissue-holders/1252779.htm?skuId=1252767&brandId=1266166>.
Kohler, Composed 30-Inch Towel Bar, K-73143, pp. 1-3; <https://www.us.kohler.com/us/composed-30-in-towel-bar/productDetail/towel-bars/1252774.htm?skuId=1252762&brandId=1266166>.
Kohler, Composed 24-Inch DoubleTowel Bar, K-73144, pp. 1-3; <https://www.us.kohler.com/us/composed-24-in-double-towel-bar/productDetail/towel-bars/1252775.htm?skuId=1252763&brandId=1266166>.
Kohler, Composed Double Robe Hook, K-73148, pp. 1-3; <https://www.us.kohler.com/us/composed-double-robe-hook/productDetail/robe-hooks/1252777.htm?skuId=1252765&brandId=1266166>.

* cited by examiner

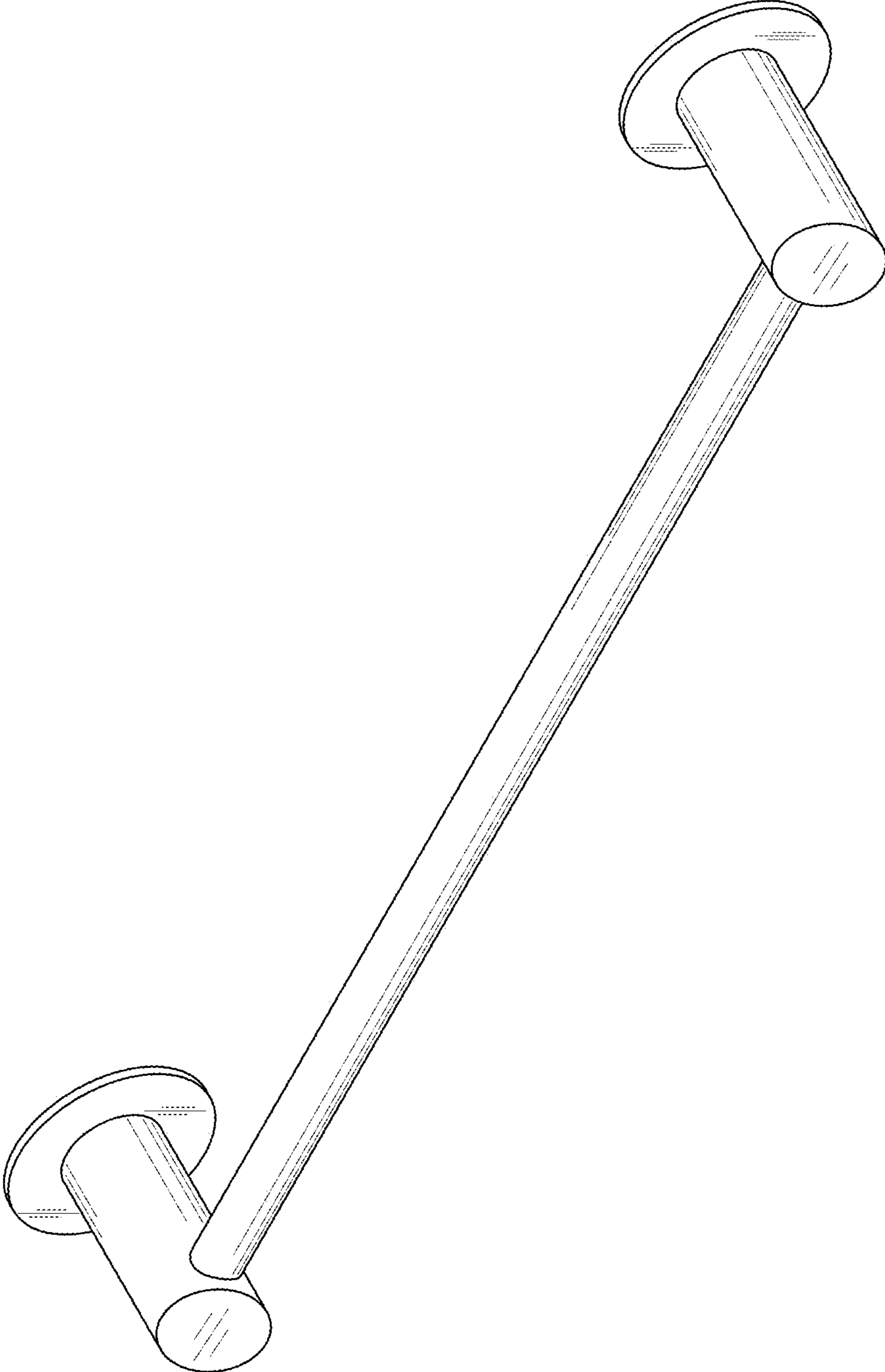


FIG. 1

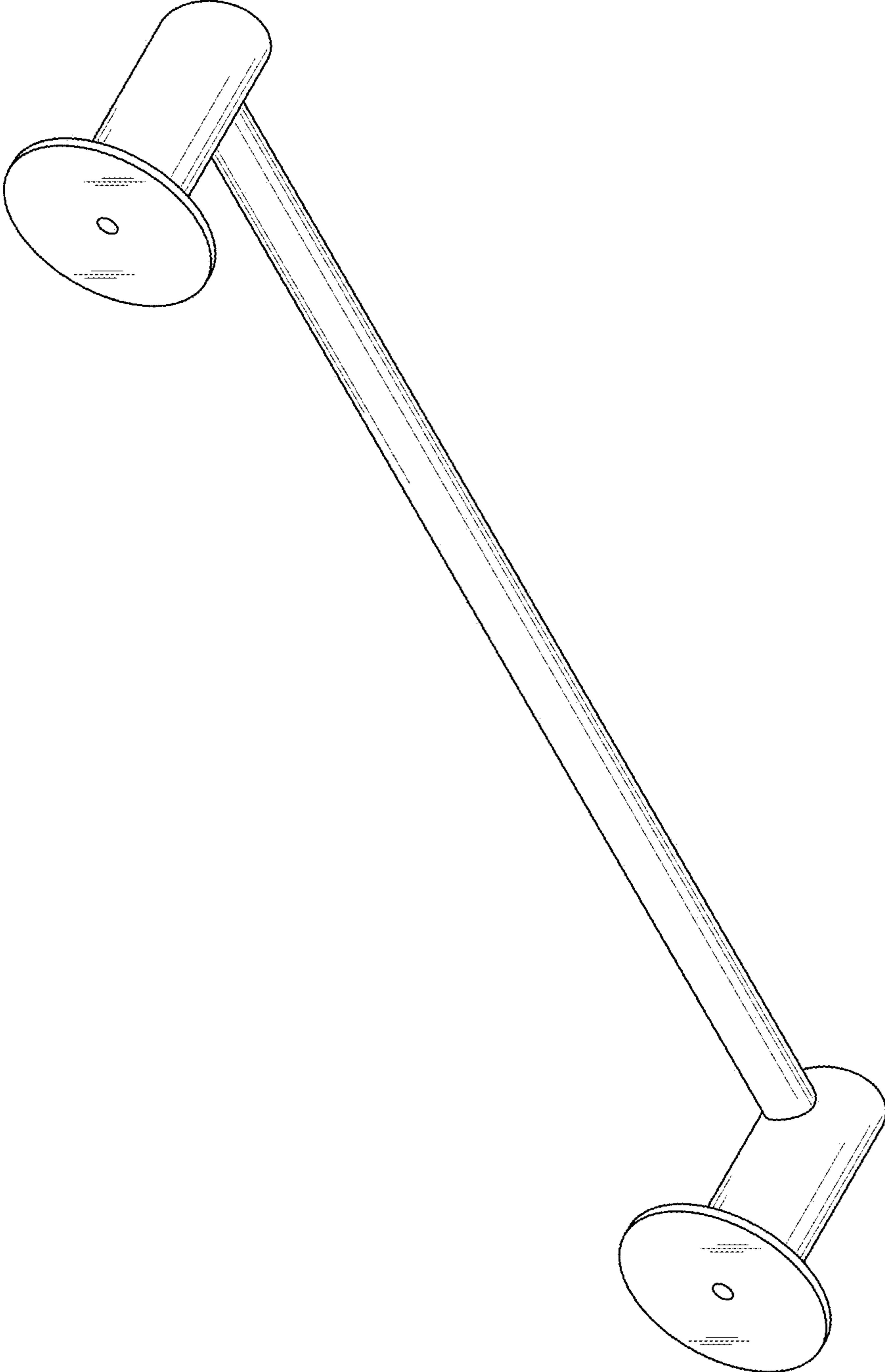


FIG. 2

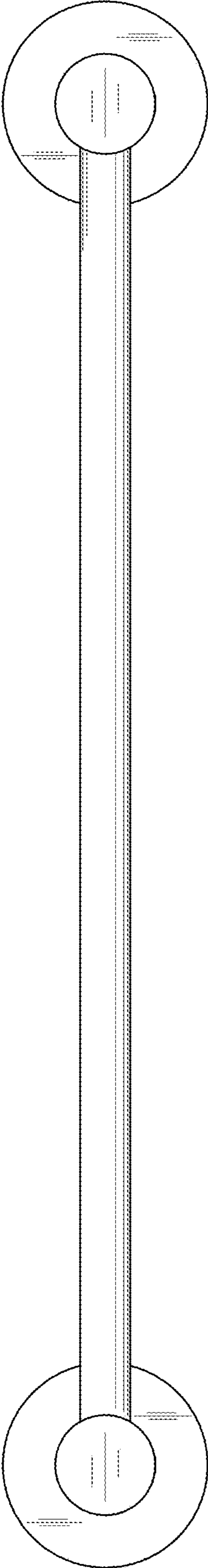


FIG. 3

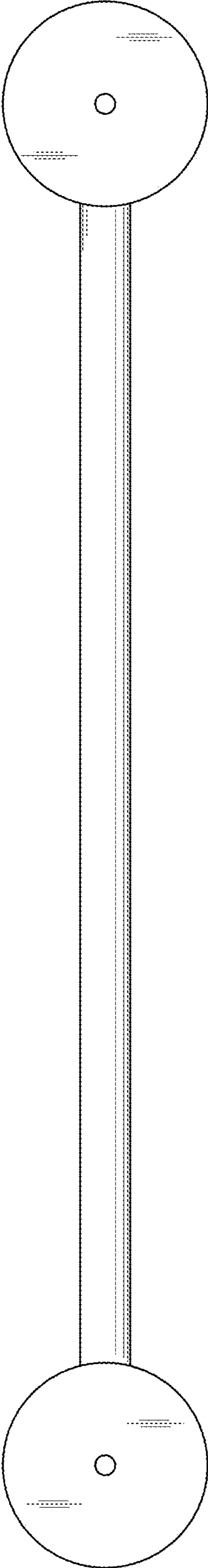


FIG. 4

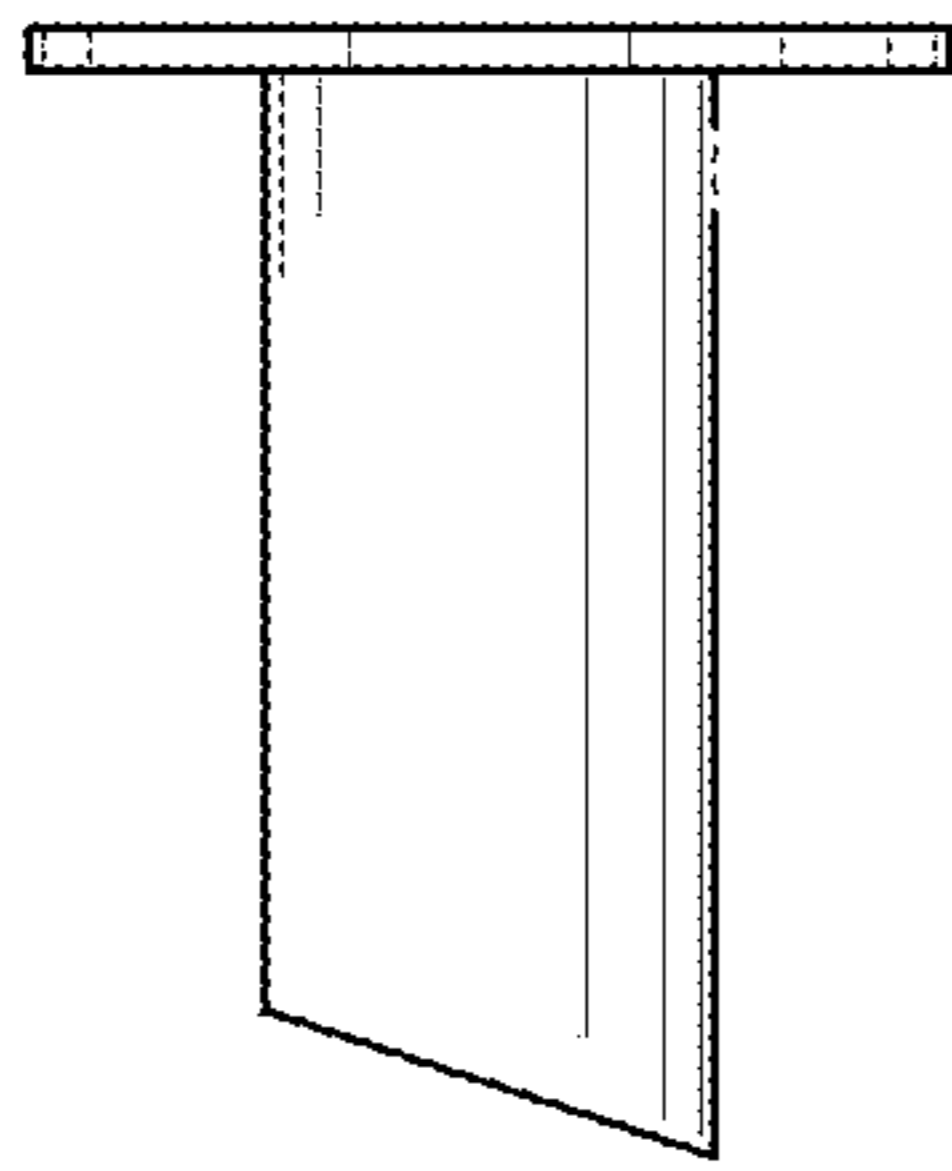


FIG. 5

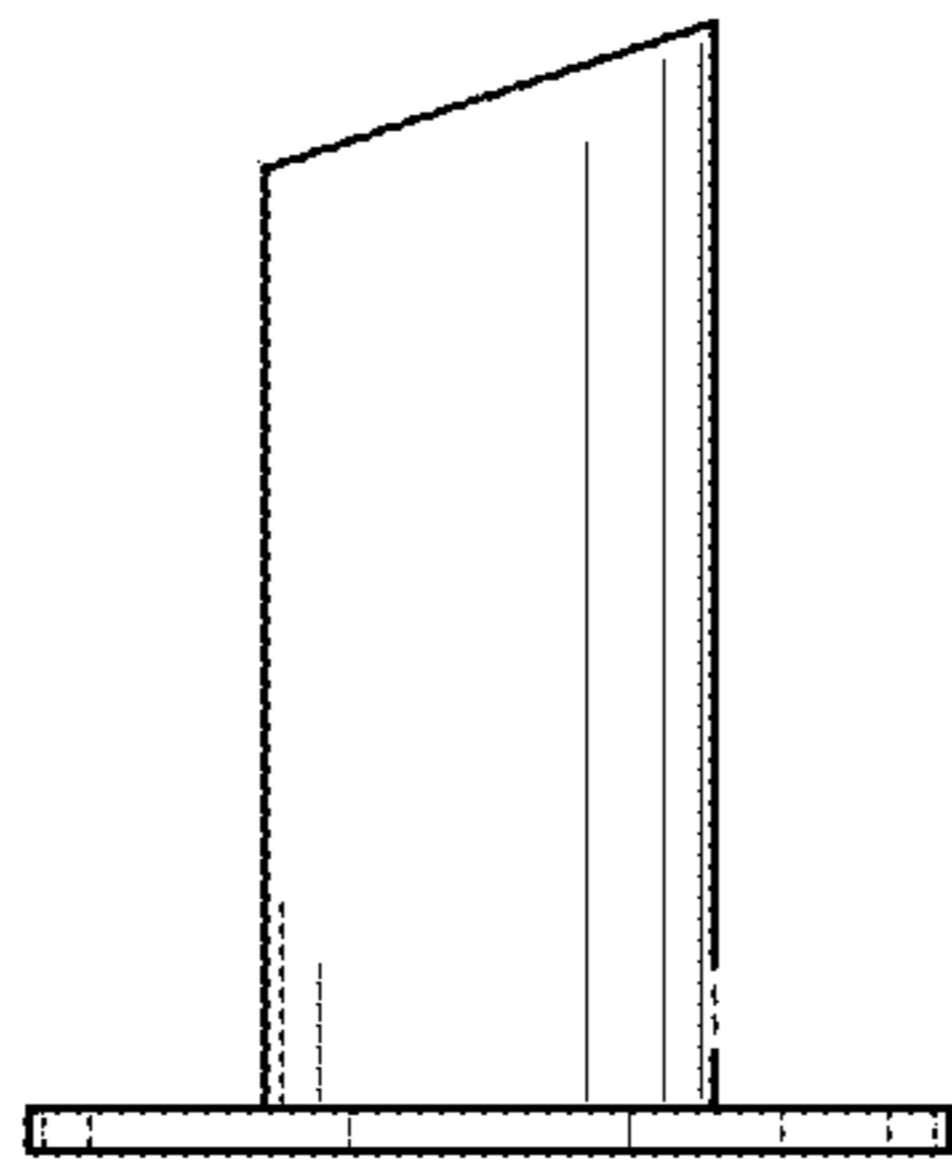


FIG. 6

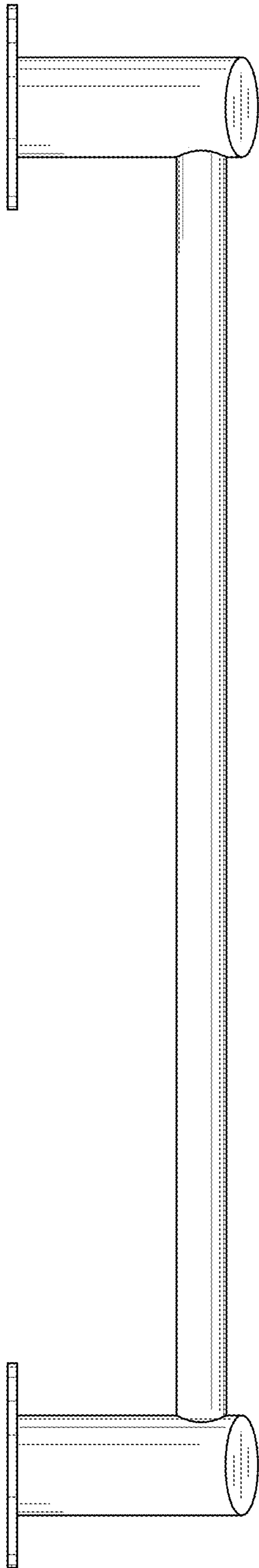


FIG. 7

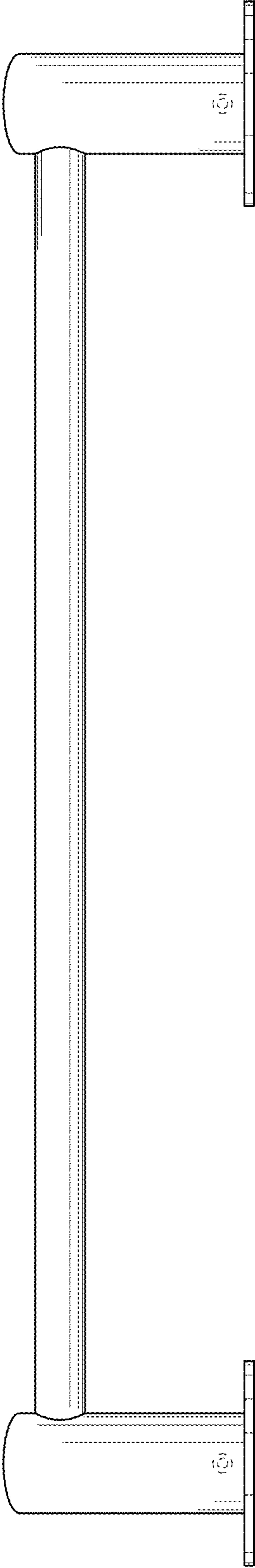


FIG. 8