

US00D897722S

(12) **United States Design Patent**  
**McGugan**

(10) **Patent No.:** **US D897,722 S**

(45) **Date of Patent:** **\*\* Oct. 6, 2020**

(54) **SUCTION CUP TOWEL HOLDER**

(71) Applicant: **Austin Hugh McGugan**, Greensboro, NC (US)

(72) Inventor: **Austin Hugh McGugan**, Greensboro, NC (US)

(73) Assignee: **Camco Manufacturing, Inc.**, Greensboro, NC (US)

(\*\*) Term: **15 Years**

(21) Appl. No.: **29/673,807**

(22) Filed: **Dec. 18, 2018**

(51) **LOC (12) Cl.** ..... **06-04**

(52) **U.S. Cl.**  
USPC ..... **D6/549**

(58) **Field of Classification Search**

USPC ..... D6/546, 512-525, 547-550; D8/300, D8/315-321, 354, 363, 373, 380; D25/45; 108/28-29; 211/13.1, 16, 85.5, 211/86.01, 87.01, 88.04, 100, 105.1, 211/105.2, 106, 113, 123, 181.1, 211/182-183; 242/570, 590, 595-598, 242/598.5; 248/49, 175, 176.1, 200, 201, 248/205.1, 251, 302, 309.1, 315  
CPC .... A47K 10/10; A47K 10/04; A47K 2201/00; A47K 2201/02; Y10S 16/40; Y10S 16/41; Y10T 16/458; Y10T 16/462; Y10T 16/513; B60N 2/0715; A61L 15/26  
See application file for complete search history.

(56) **References Cited**

U.S. PATENT DOCUMENTS

D312,935 S	*	12/1990	Chap	.....	D6/549
D450,511 S	*	11/2001	Gottwald	.....	D6/549
D466,742 S	*	12/2002	Moore	.....	D6/549
D478,447 S	*	8/2003	Hoernig	.....	D6/549
D771,408 S	*	11/2016	Garland	.....	D6/549
D814,825 S	*	4/2018	Ravassa	.....	D6/549

\* cited by examiner

*Primary Examiner* — Wan Laymon

*Assistant Examiner* — Mark Booker

(74) *Attorney, Agent, or Firm* — Tuggle Duggins P.A.;  
Blake P. Hurt

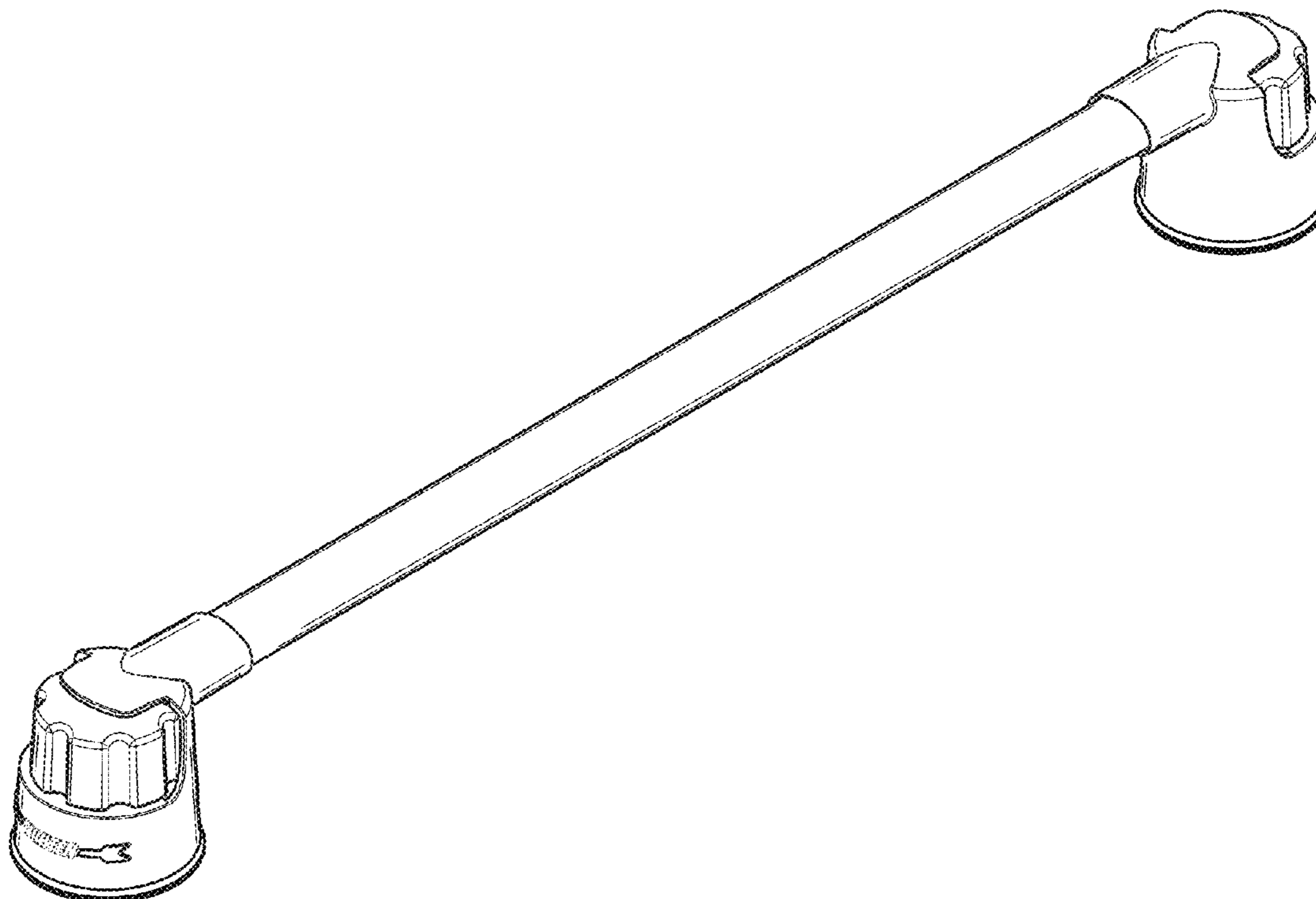
(57) **CLAIM**

The ornamental design for a suction cup towel holder, as shown and described.

**DESCRIPTION**

FIG. 1 is a top, front, right side perspective view of a suction cup towel holder showing my new design;  
FIG. 2 is a bottom, rear, left side perspective view thereof;  
FIG. 3 is a left side elevational view thereof, the right side elevational view being a mirror image thereof;  
FIG. 4 is a top plan view thereof;  
FIG. 5 is a bottom plan view thereof; and,  
FIG. 6 is a front elevational view thereof, the rear elevational view being a mirror image thereof.  
The broken line showing in the figures is included for the purpose of illustrating portions of the suction cup towel holder and form no part of the claimed design.

**1 Claim, 6 Drawing Sheets**



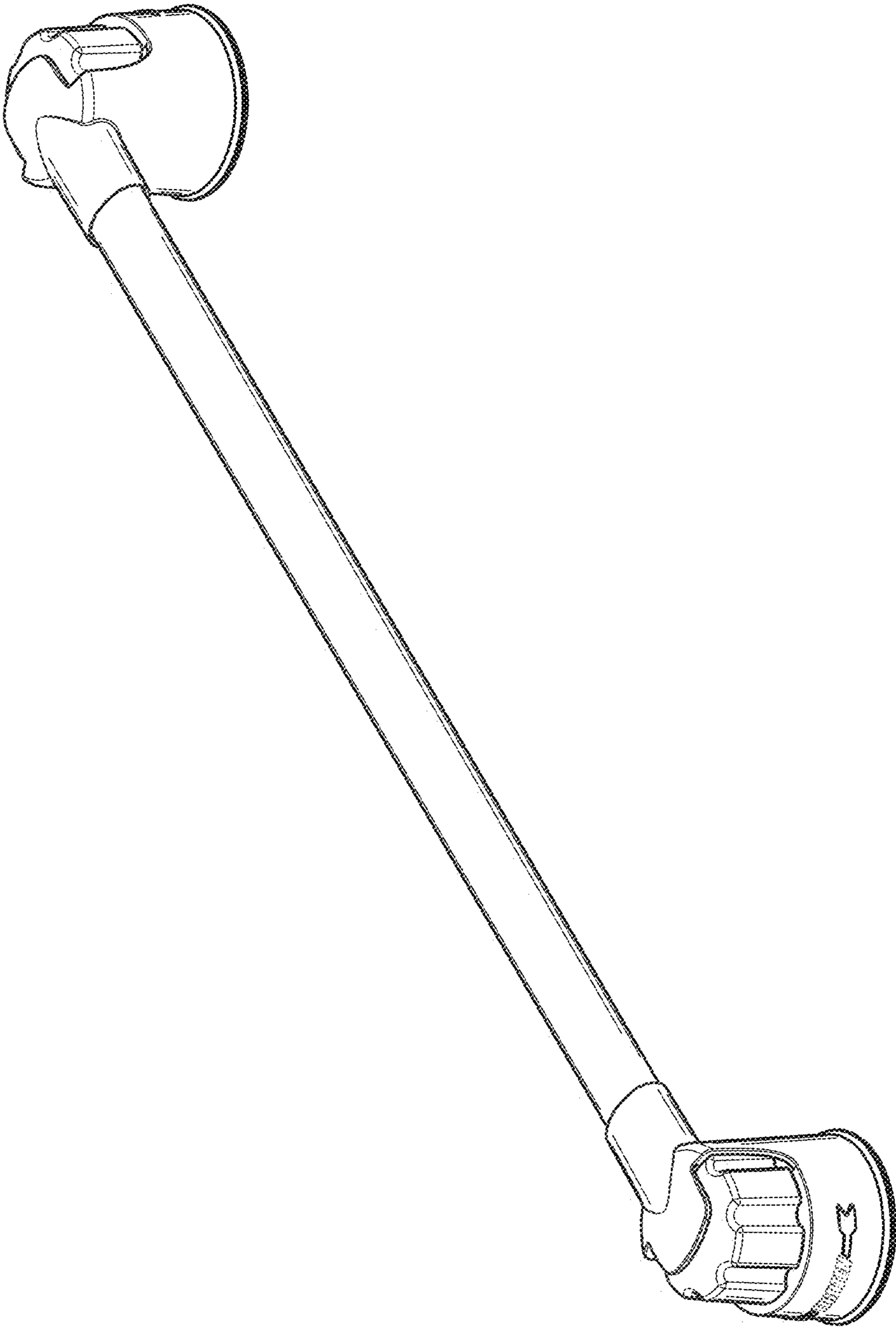


FIG. 1

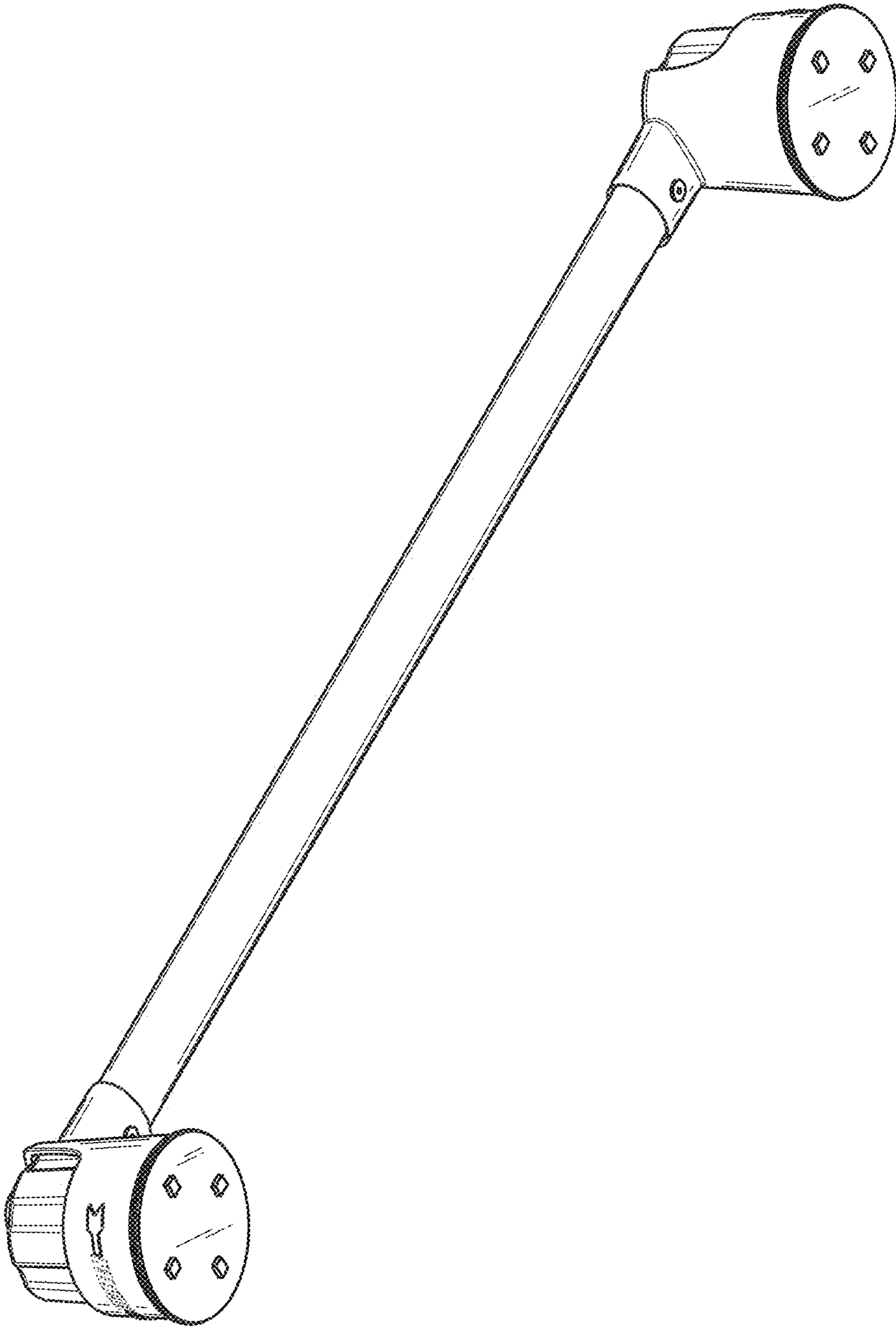


FIG. 2

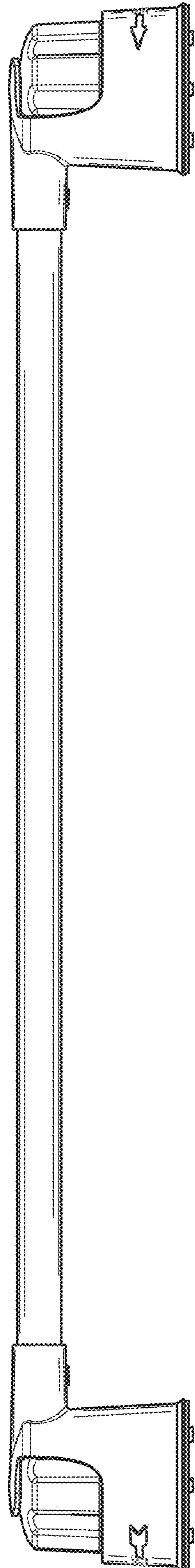


FIG. 3

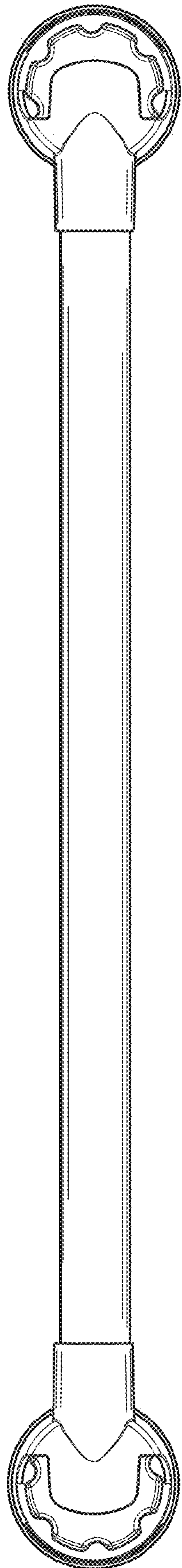


FIG. 4

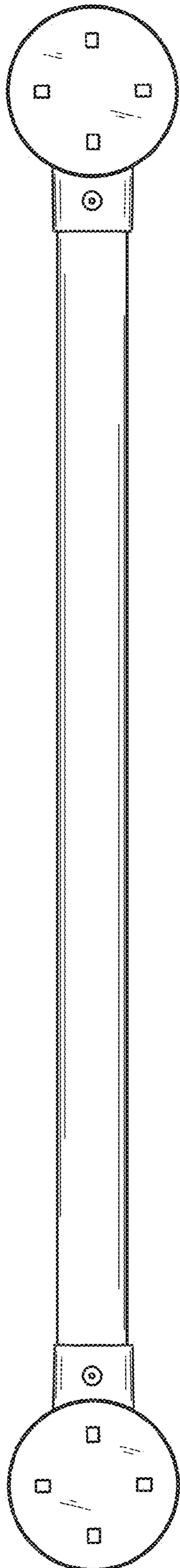


FIG. 5

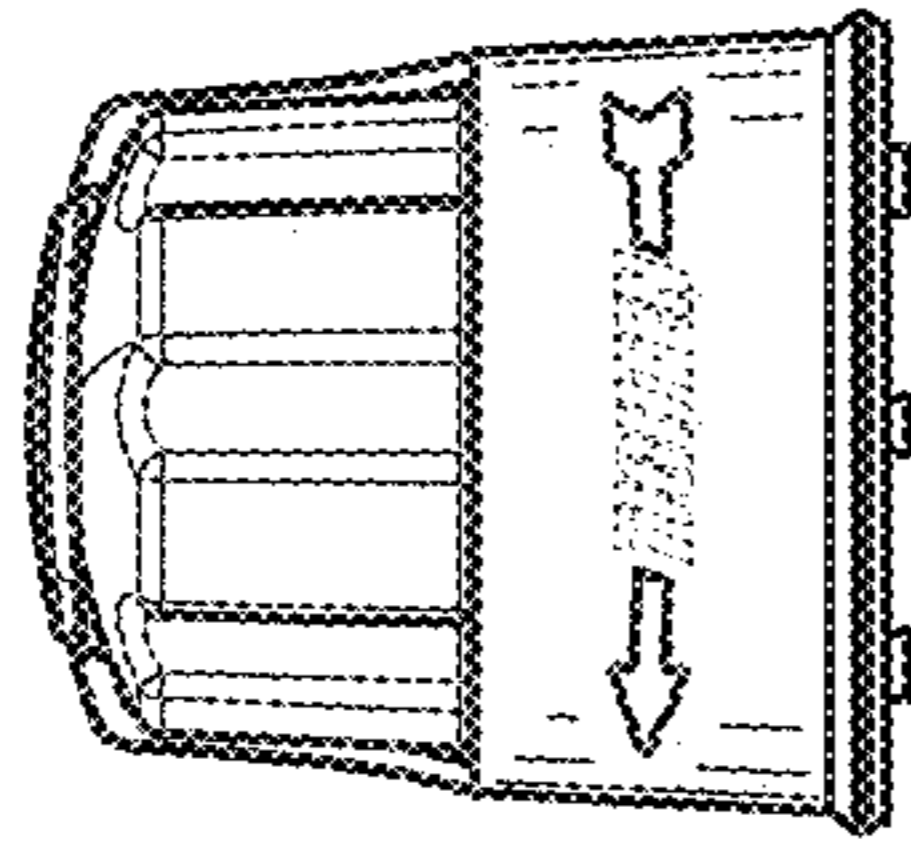


FIG. 6